



Spare Parts Catalog

6 AS 1000 TO

()

Material number: 1346.062.043

Current date: 16.02.2026

ZF Friedrichshafen AG
Hauptverwaltung
80038 Friedrichshafen
Deutschland

Telefon: +49 7541 77-0

Telefax: +49 7541 77-908000

www.zf.com

zuständiges Werk:
Friedrichshafen

Picture

Page 1 from 1

Material number: 1346.062.043

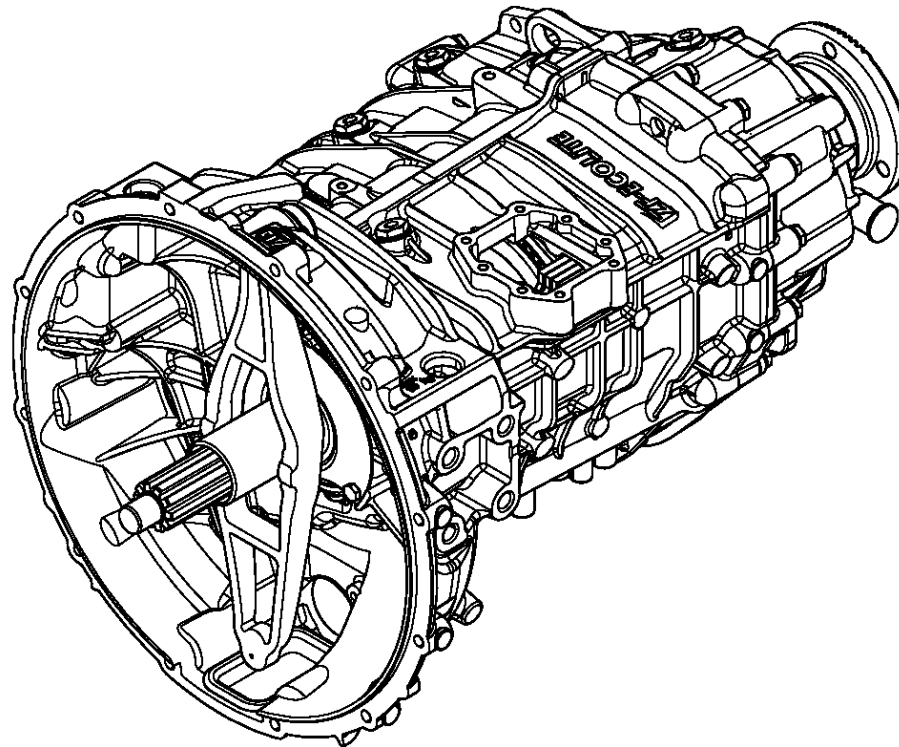
Picture: 150.A1.10-1

Material-assembly-group-no: 1346.002.088



6 AS 1000 TO / ()

6 S 1000 TO



Picture

Page 1 from 1

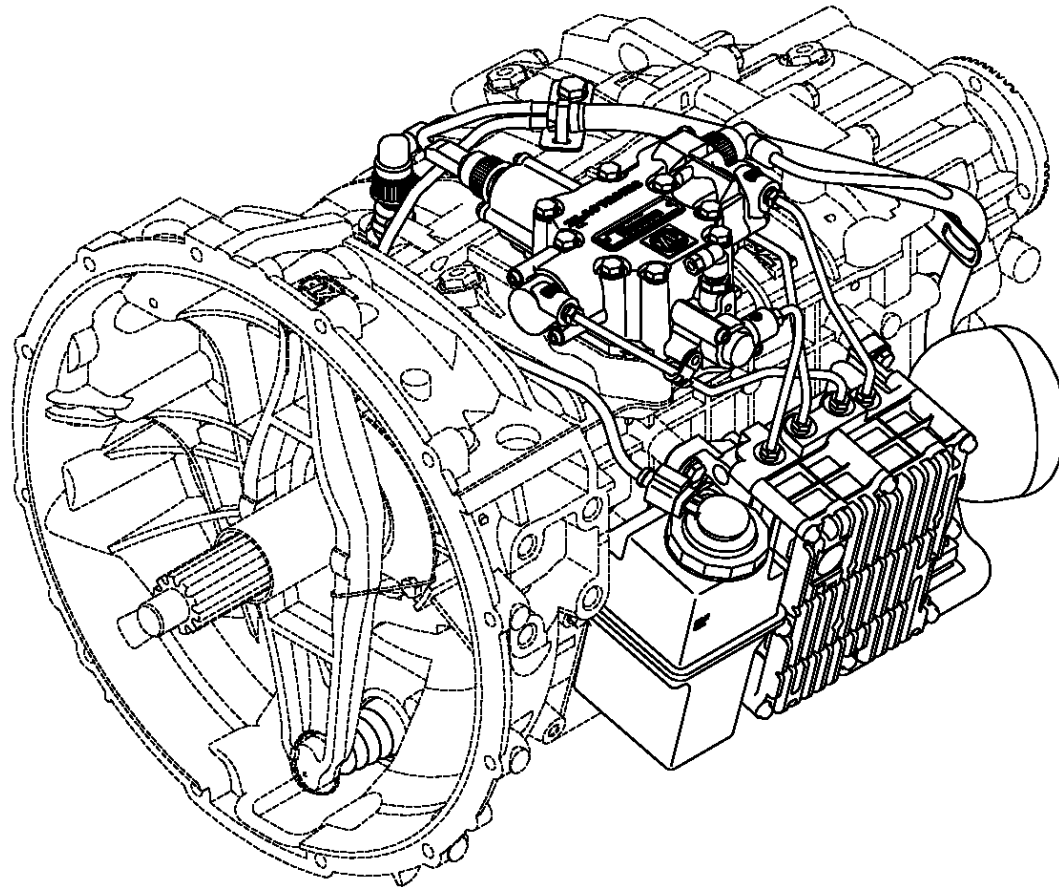
Material number: 1346.062.043

Picture: 106.A6.01-1

Material-assembly-group-no: 6070.007.076



6 AS 1000 TO / ()
AM 3 24 V



Picture

Page 1 from 3

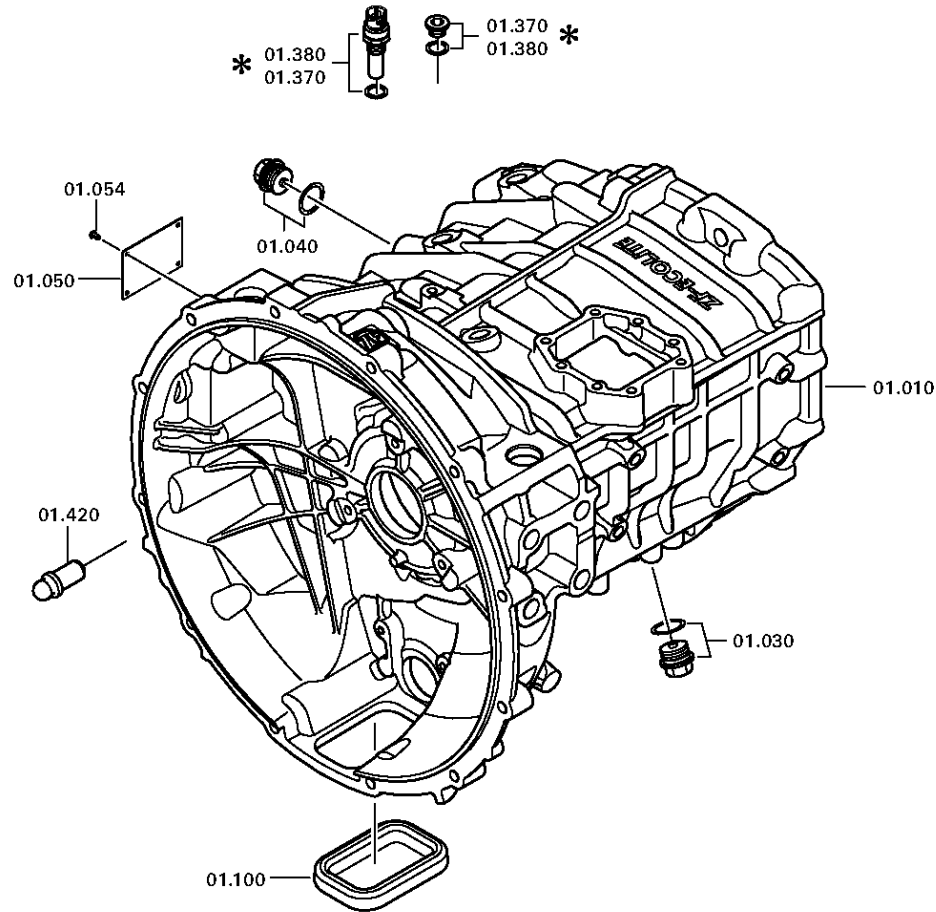
Material number: 1346.002.088

Picture: 150.01.03-1

Material-assembly-group-no: 1346.101.053



6 AS 1000 TO / ()
CLUTCH HOUSING



Picture

Page 2 from 3

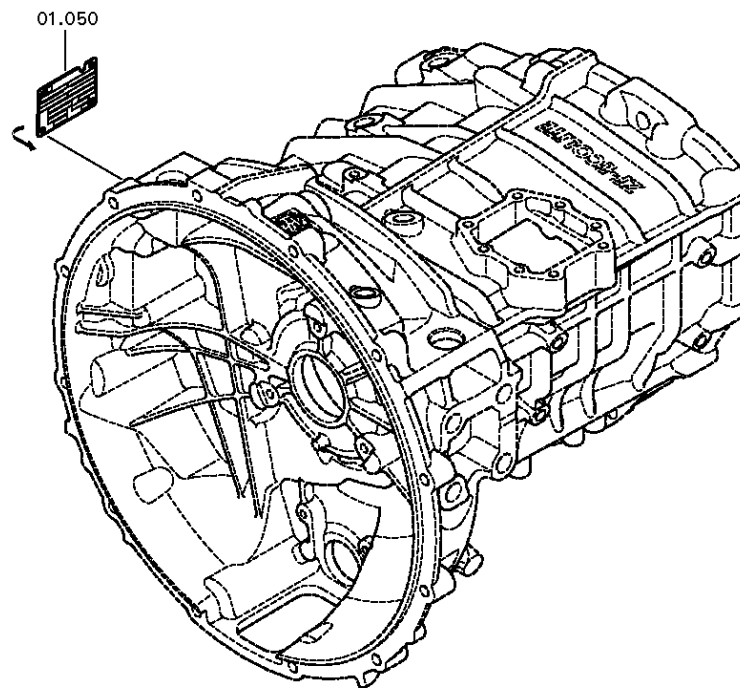
Material number: 1346.002.088

Picture: 150.01.50-1

Material-assembly-group-no: 1346.101.053



6 AS 1000 TO / ()
CLUTCH HOUSING



Picture

Page 3 from 3

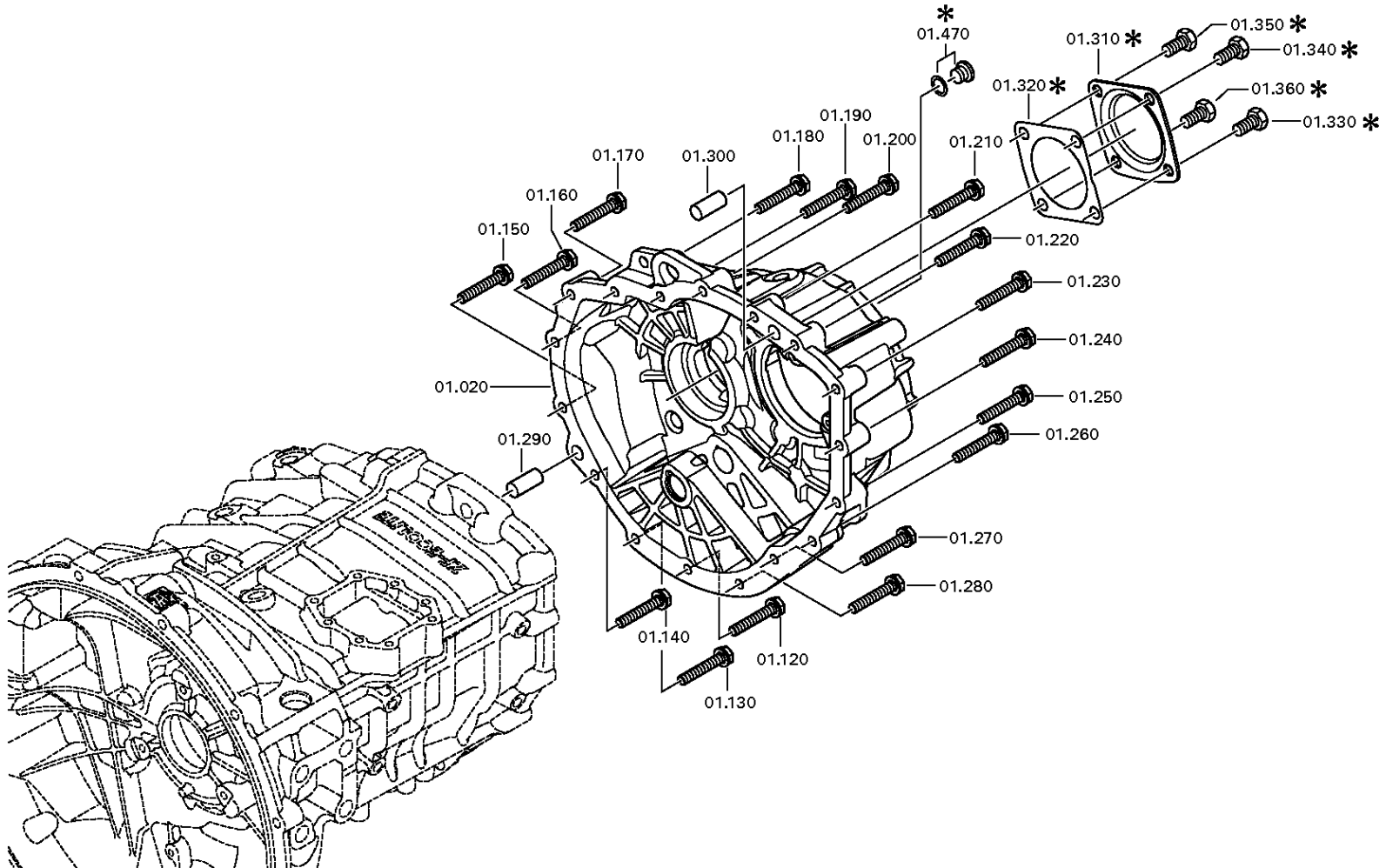
Material number: 1346.002.088

Picture: 150.01.80-1

Material-assembly-group-no: 1346.101.053



6 AS 1000 TO / ()
CLUTCH HOUSING



Picture

Page 1 from 4

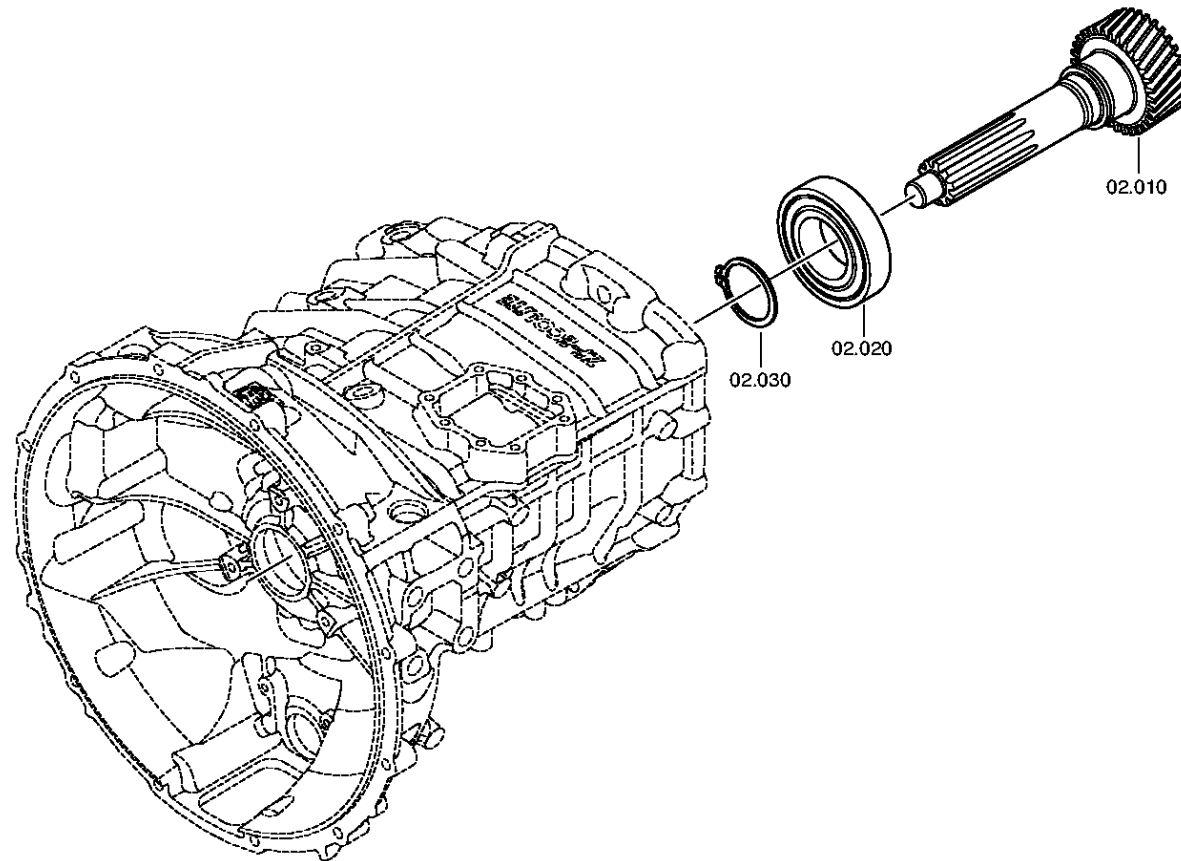
Material number: 1346.002.088

Picture: 150.02.01-1

Material-assembly-group-no: 1346.102.008



6 AS 1000 TO / ()
INPUT SHAFT



Picture

Page 2 from 4

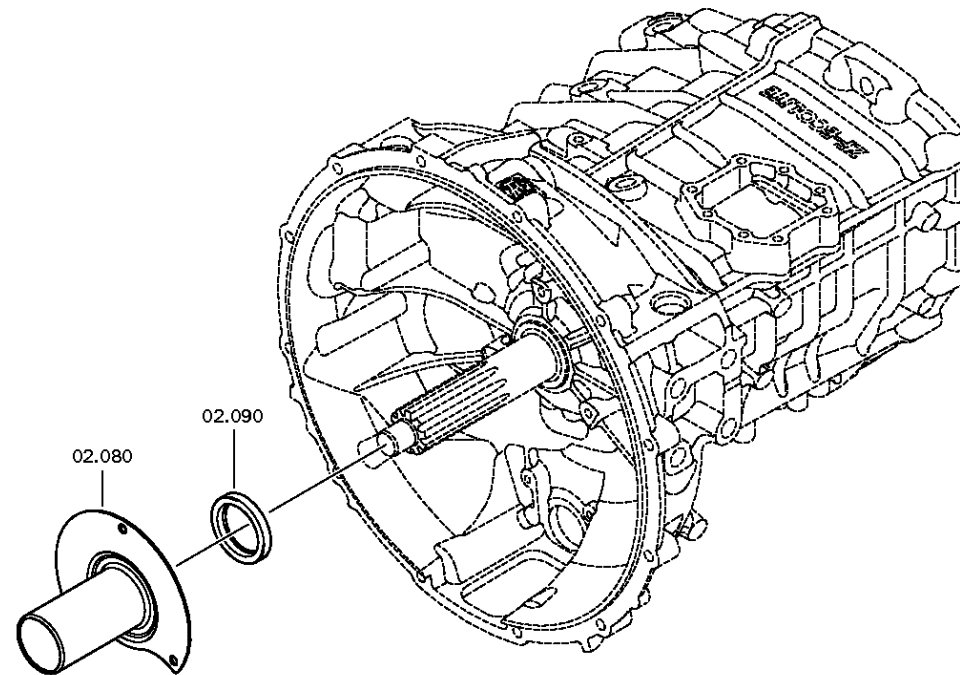
Material number: 1346.002.088

Picture: 150.02.02-1

Material-assembly-group-no: 1346.102.008



6 AS 1000 TO / ()
INPUT SHAFT



Picture

Page 3 from 4

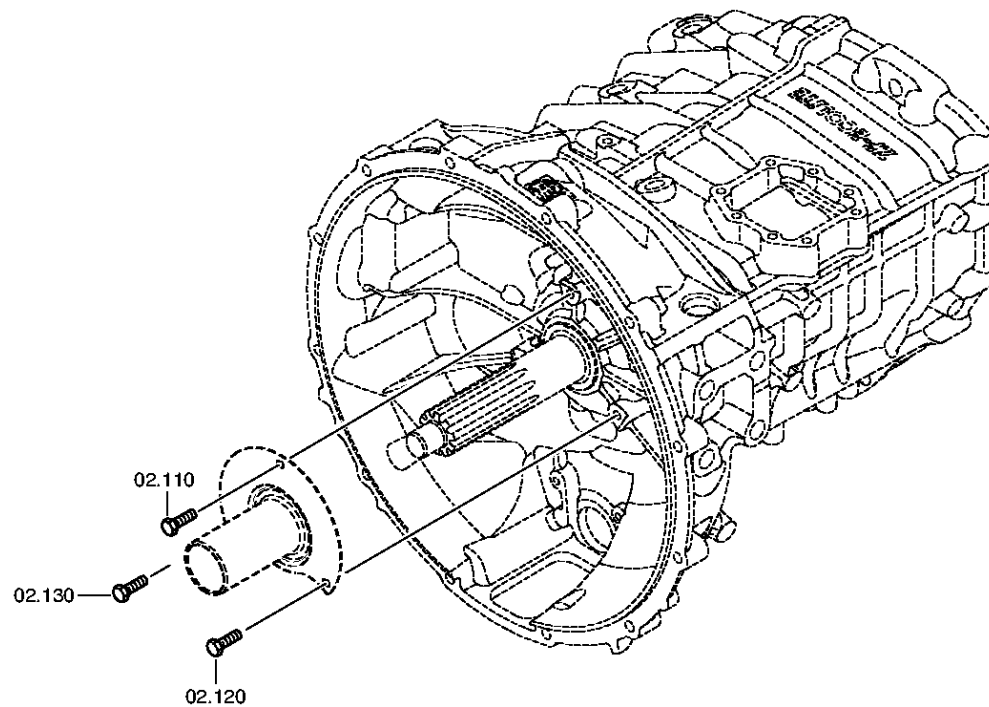
Material number: 1346.002.088

Picture: 150.02.81-1

Material-assembly-group-no: 1346.102.008



6 AS 1000 TO / ()
INPUT SHAFT



Picture

Page 4 from 4

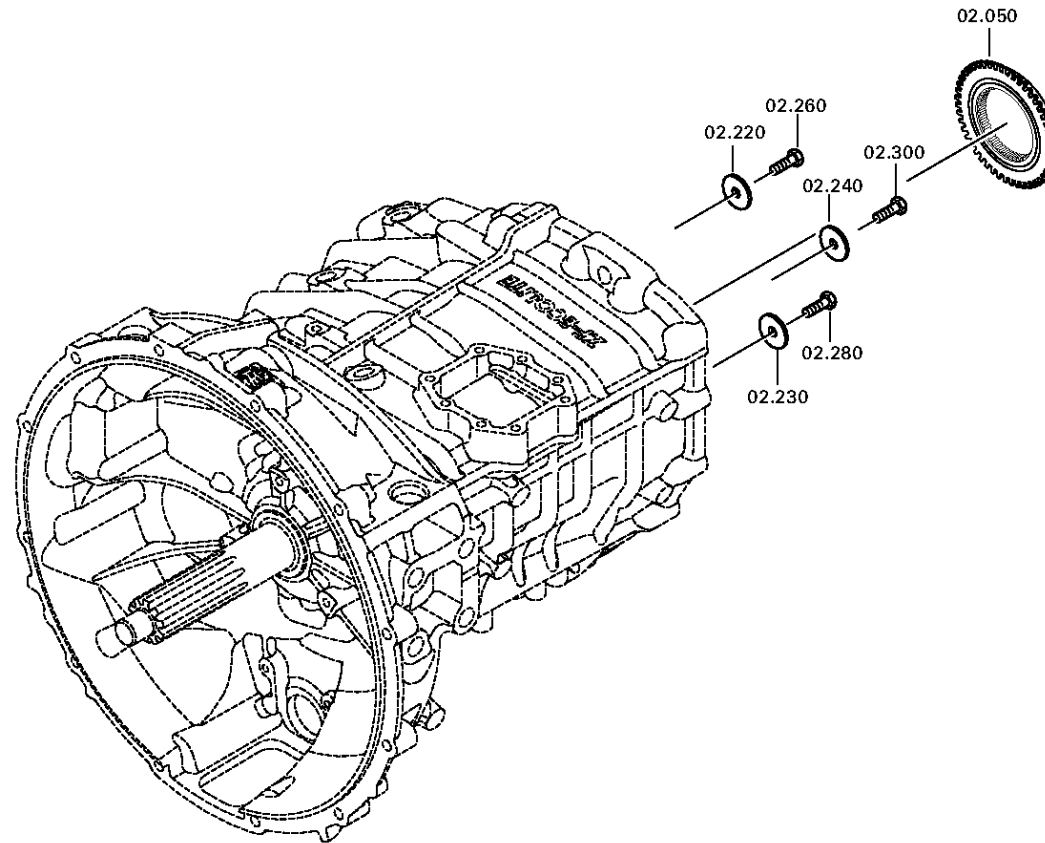
Material number: 1346.002.088

Picture: 150.02.83-1

Material-assembly-group-no: 1346.102.008



6 AS 1000 TO / ()
INPUT SHAFT



Picture

Page 1 from 1

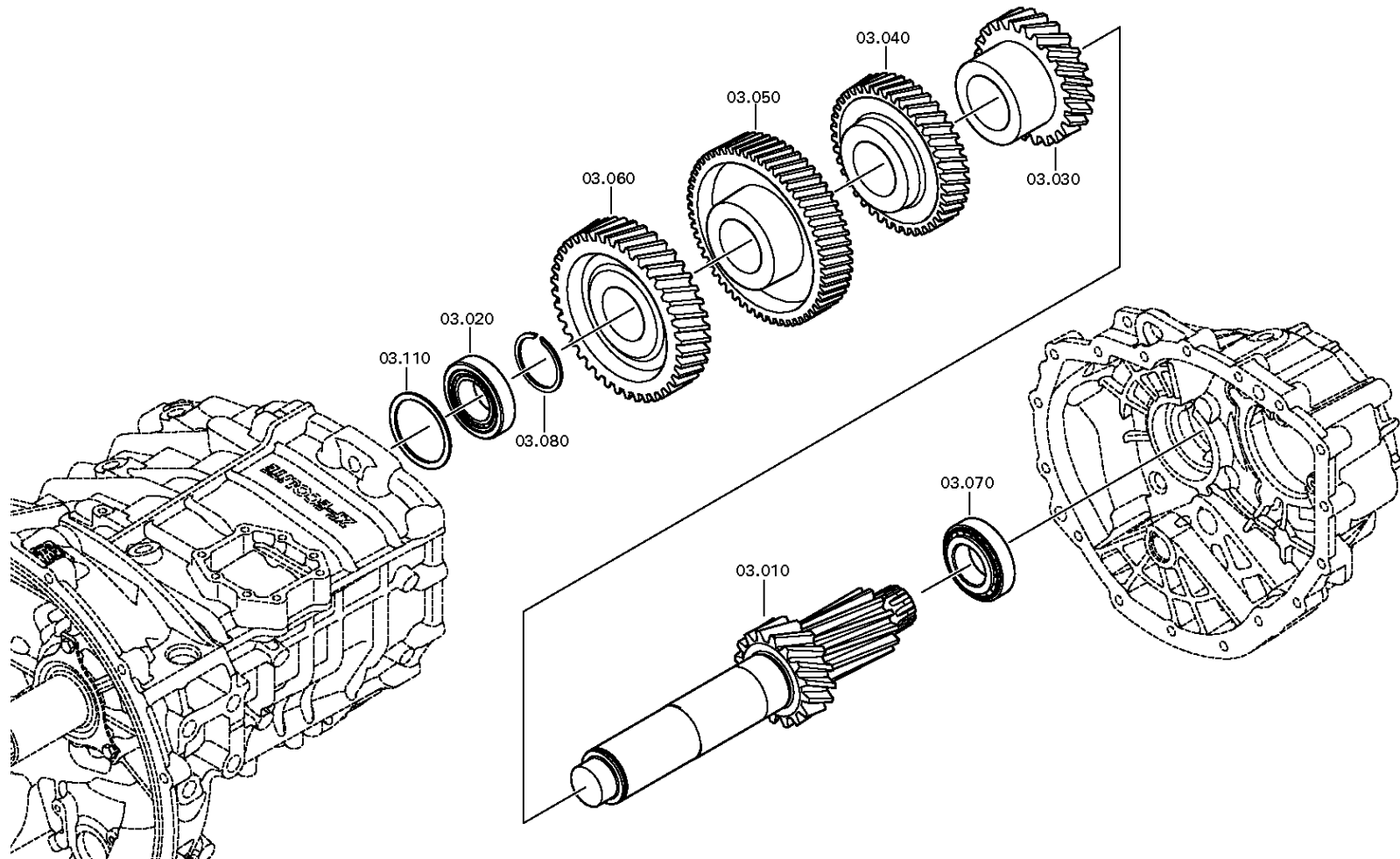
Material number: 1346.002.088

Picture: 150.03.01-1

Material-assembly-group-no: 1346.103.001



6 AS 1000 TO / ()
COUNTERSHAFT



Picture

Page 1 from 3

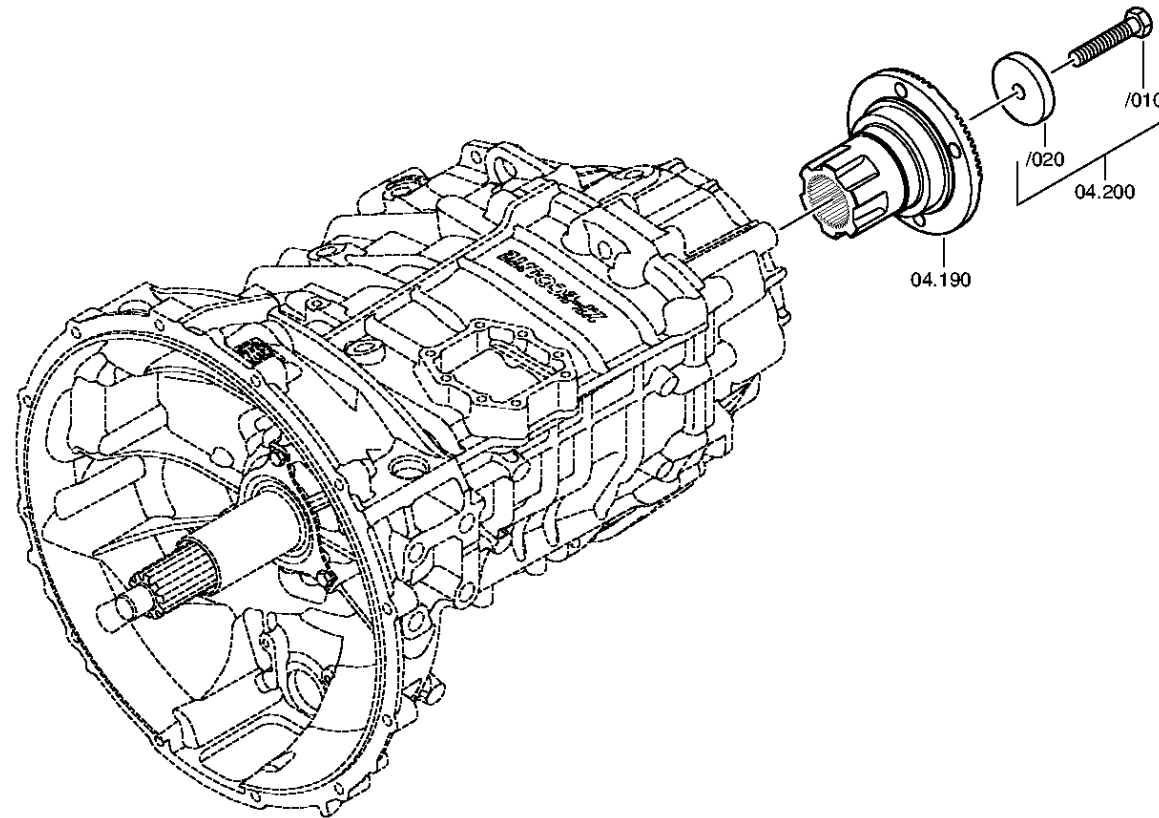
Material number: 1346.002.088

Picture: 150.04.80-1

Material-assembly-group-no: 1346.104.810



6 AS 1000 TO / ()
MAIN SHAFT



Picture

Page 2 from 3

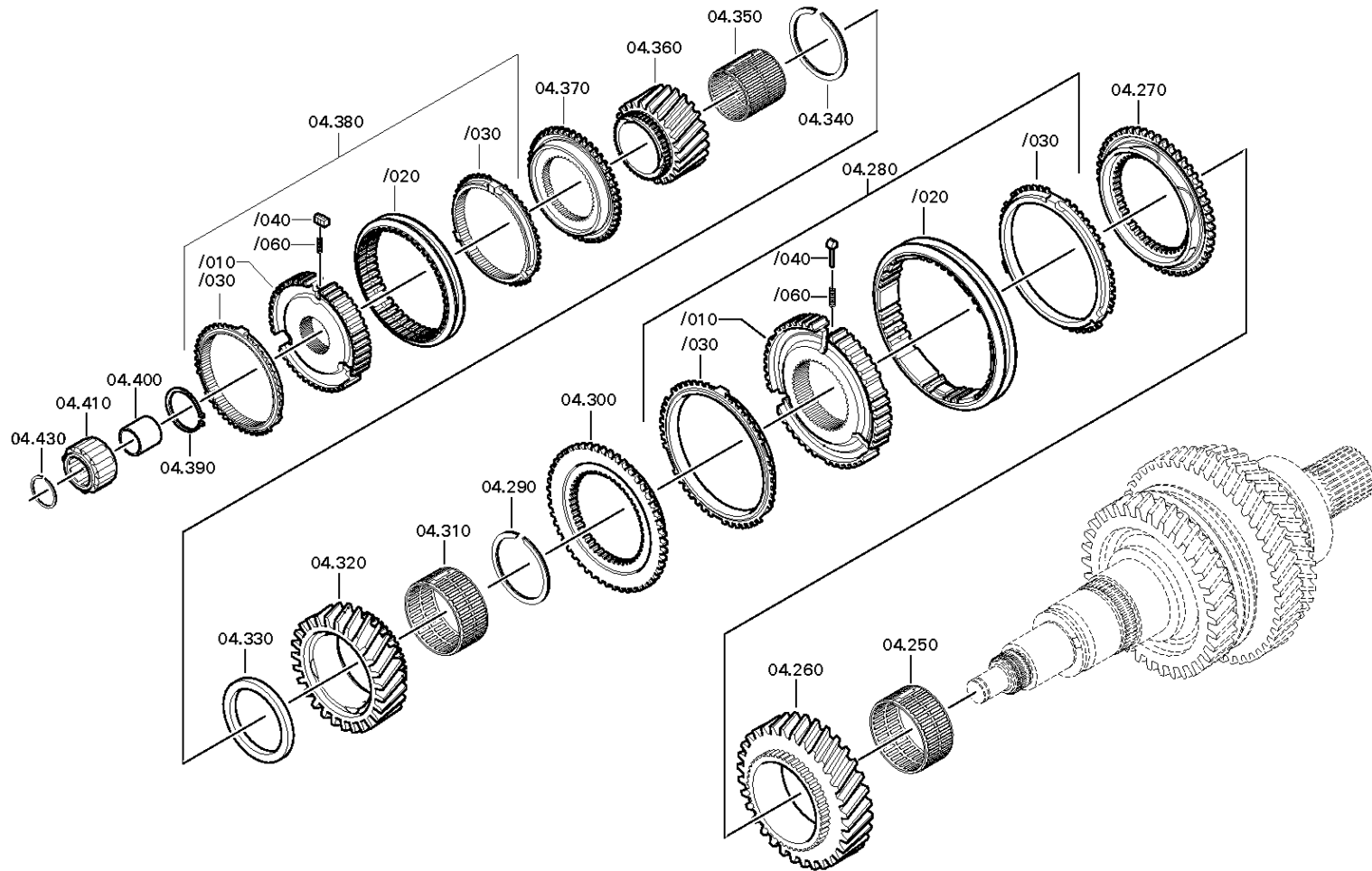
Material number: 1346.002.088

Picture: 150.04.02-1

Material-assembly-group-no: 1346.104.810



6 AS 1000 TO / ()
MAIN SHAFT



Picture

Page 3 from 3

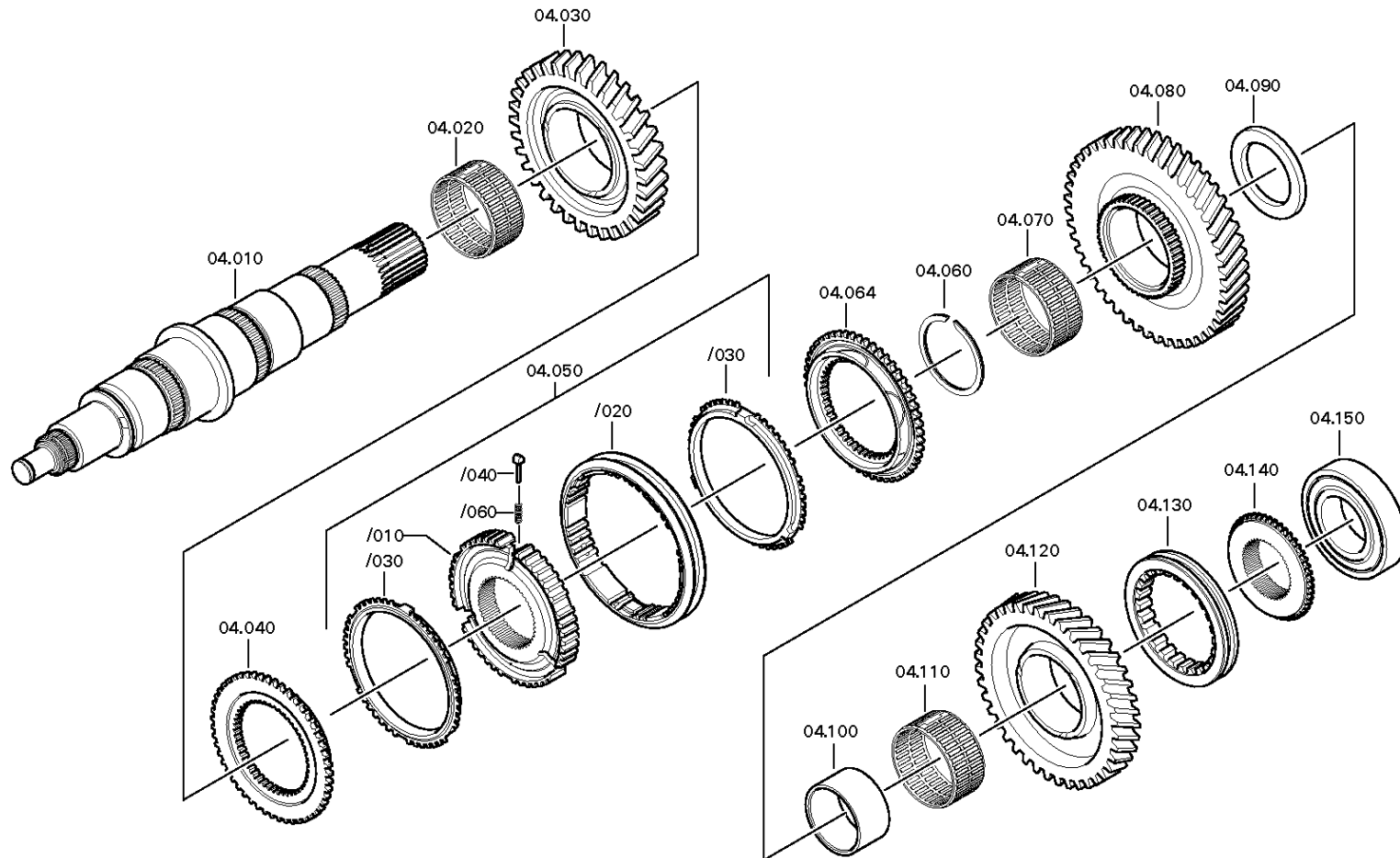
Material number: 1346.002.088

Picture: 150.04.02-2

Material-assembly-group-no: 1346.104.810



6 AS 1000 TO / ()
MAIN SHAFT



Picture

Page 1 from 1

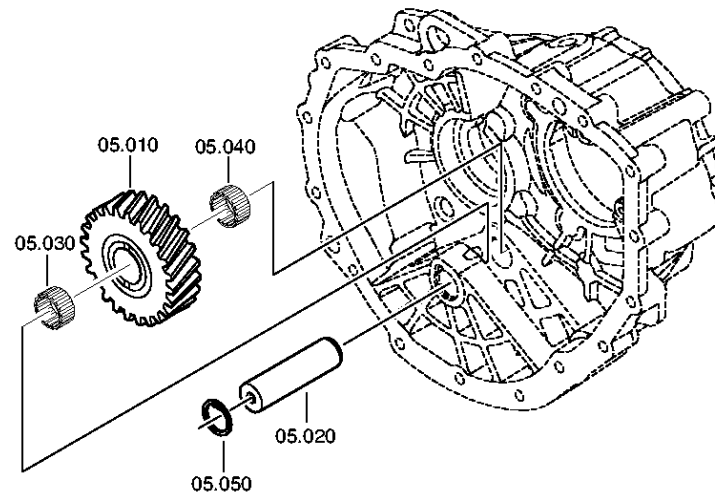
Material number: 1346.002.088

Picture: 150.05.01-1

Material-assembly-group-no: 1346.105.001



6 AS 1000 TO / ()
RETURN



Picture

Page 1 from 1

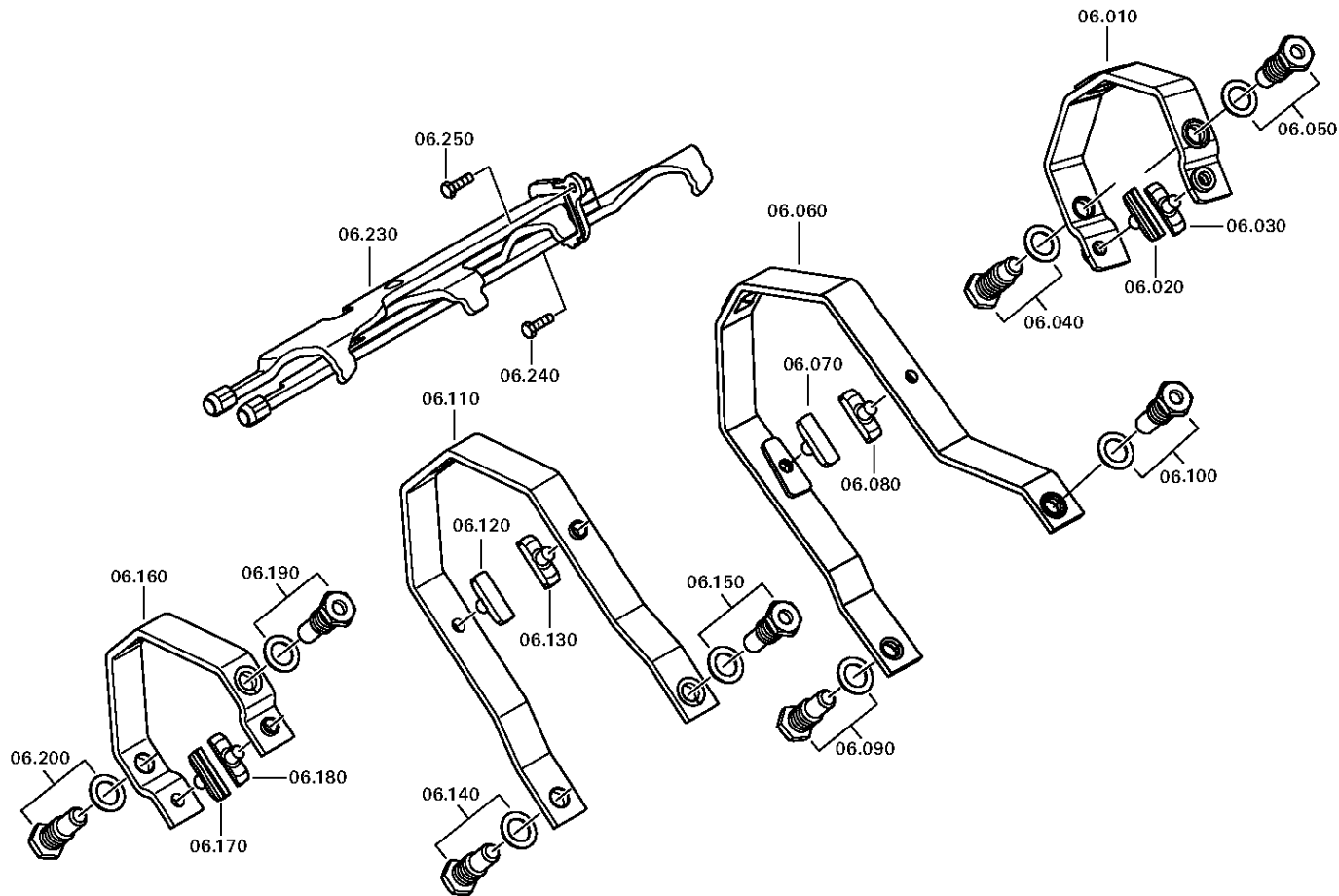
Material number: 1346.002.088

Picture: 150.06.01-1

Material-assembly-group-no: 1346.106.007



6 AS 1000 TO / ()
SHIFT SYSTEM



Picture

Page 1 from 2

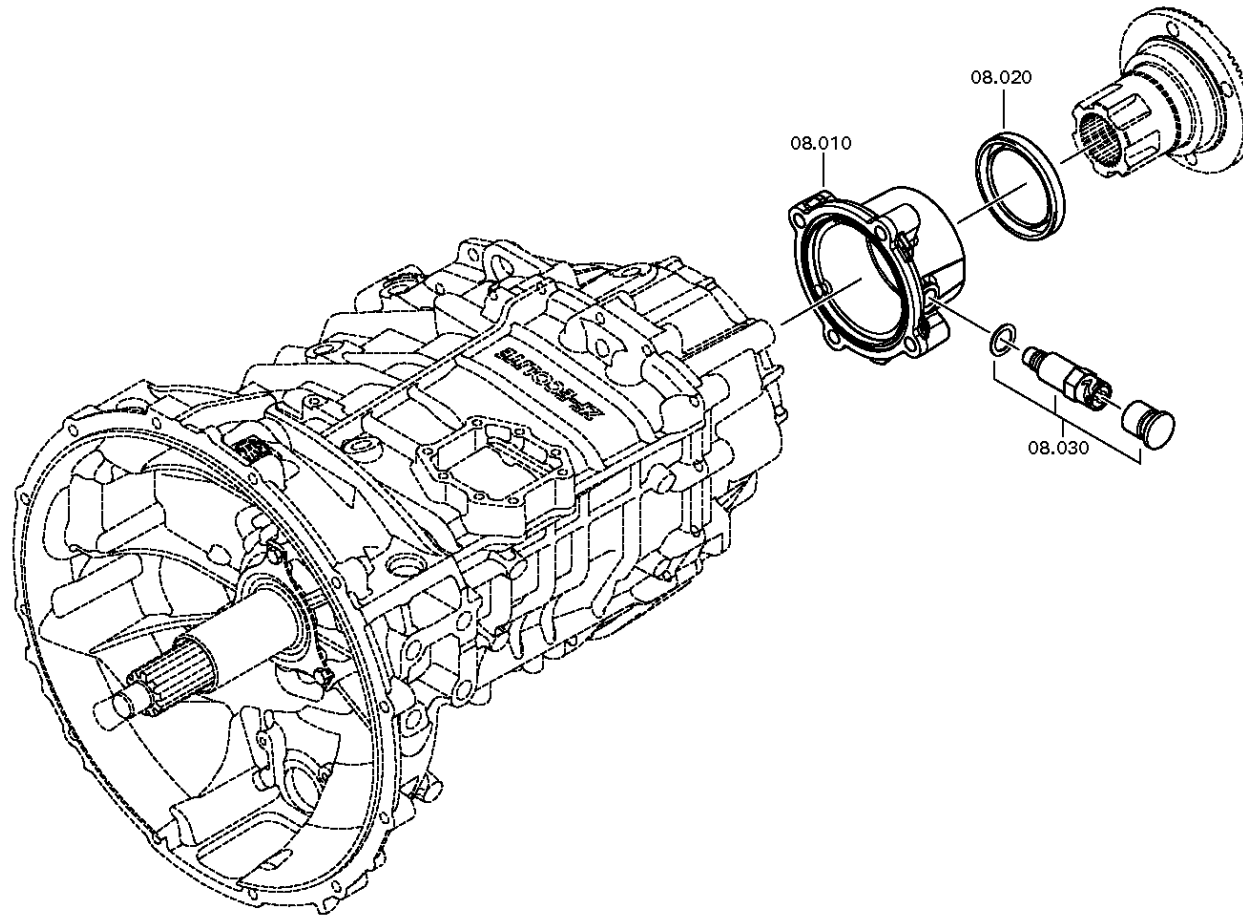
Material number: 1346.002.088

Picture: 150.18.01-1

Material-assembly-group-no: 1346.108.001



6 AS 1000 TO / ()
SPEEDOMETER COVER



Picture

Page 2 from 2

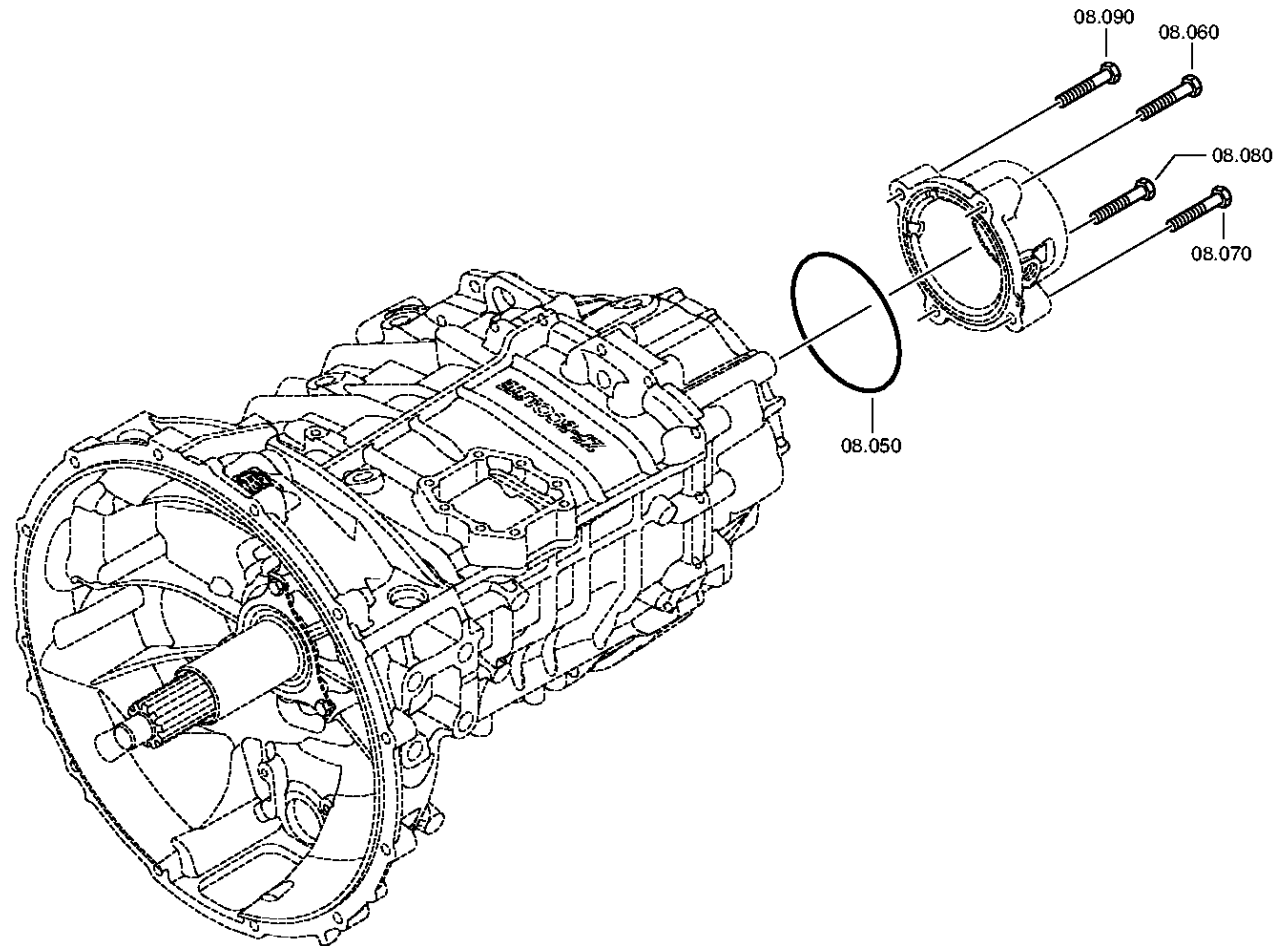
Material number: 1346.002.088

Picture: 150.18.80-1

Material-assembly-group-no: 1346.108.001



6 AS 1000 TO / ()
SPEEDOMETER COVER



Picture

Page 1 from 1

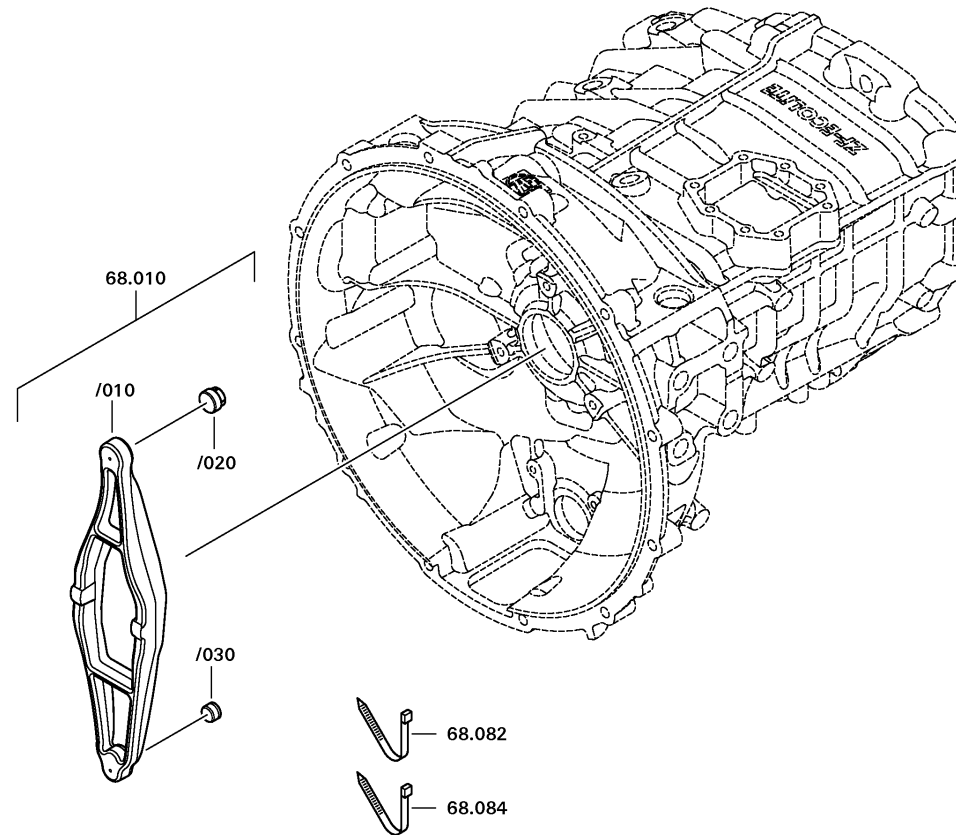
Material number: 1346.002.088

Picture: 150.093.100

Material-assembly-group-no: 6060.168.010



6 AS 1000 TO / ()
CLUTCH RELEASE DEVICE



Picture

Page 1 from 1

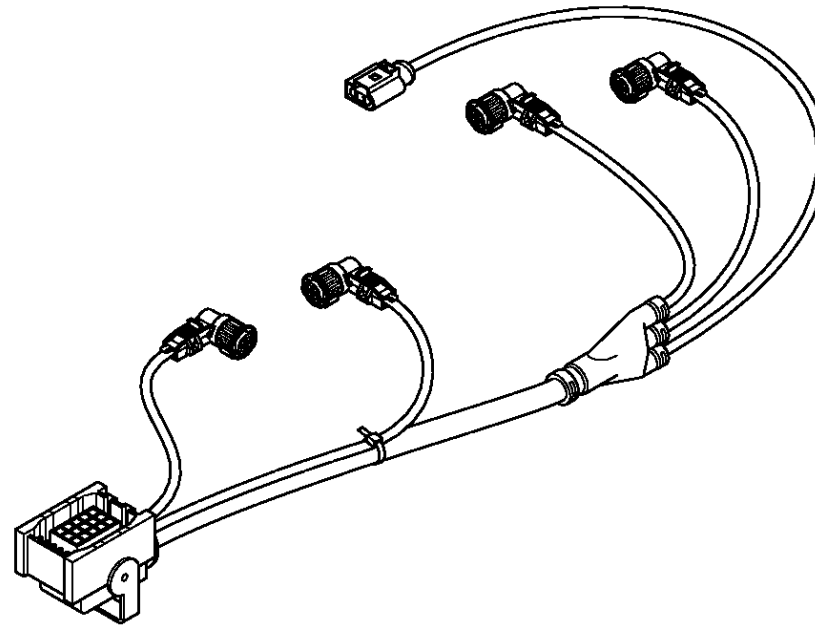
Material number: 6070.007.076

Picture: 032.D1.01-1

Material-assembly-group-no: 6029.020.006



6 AS 1000 TO / ()
CABLE GEARCHGE



Picture

Page 1 from 12

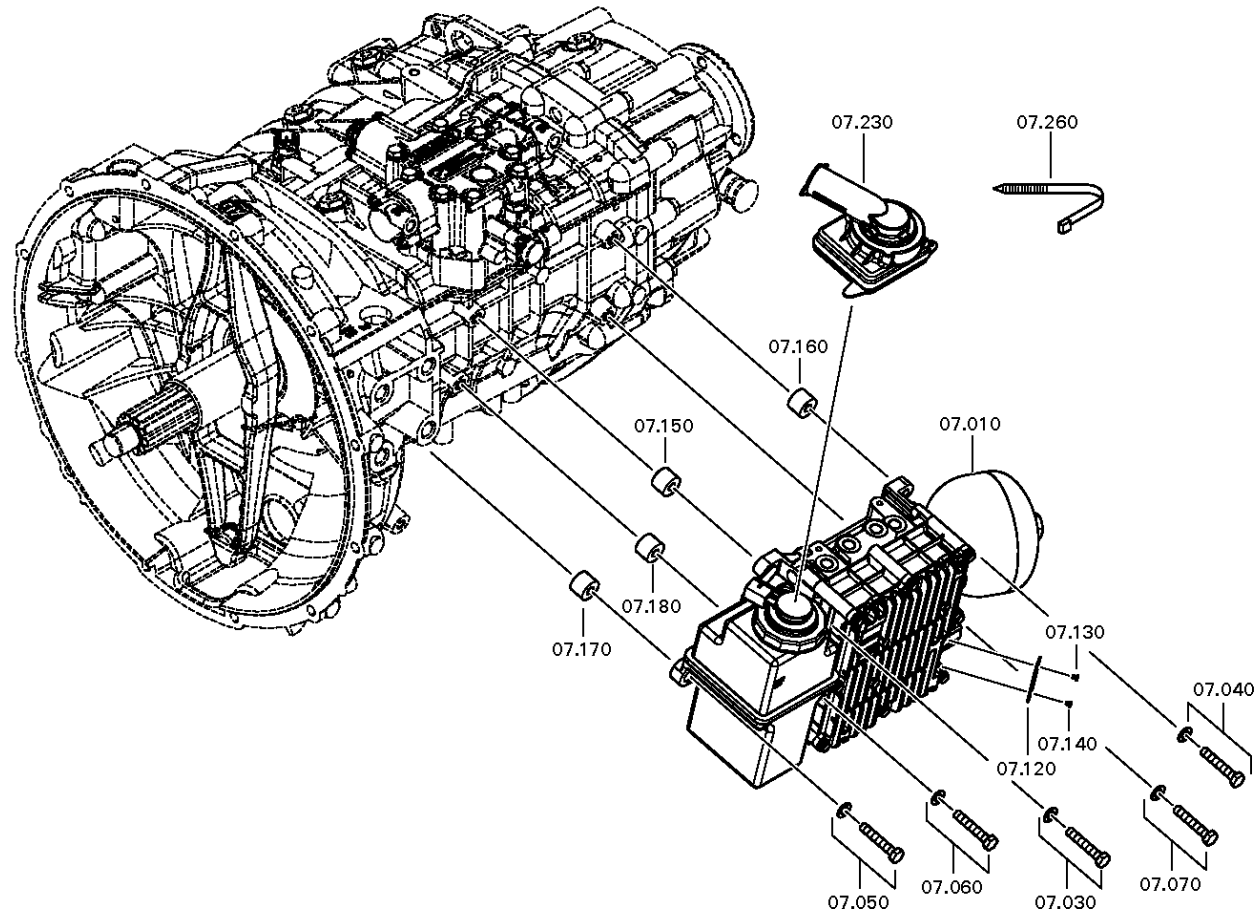
Material number: 6070.007.076

Picture: 106.07.11-1

Material-assembly-group-no: 6070.107.001



6 AS 1000 TO / ()
POWER PACK



Picture

Page 2 from 12

Material number: 6070.007.076

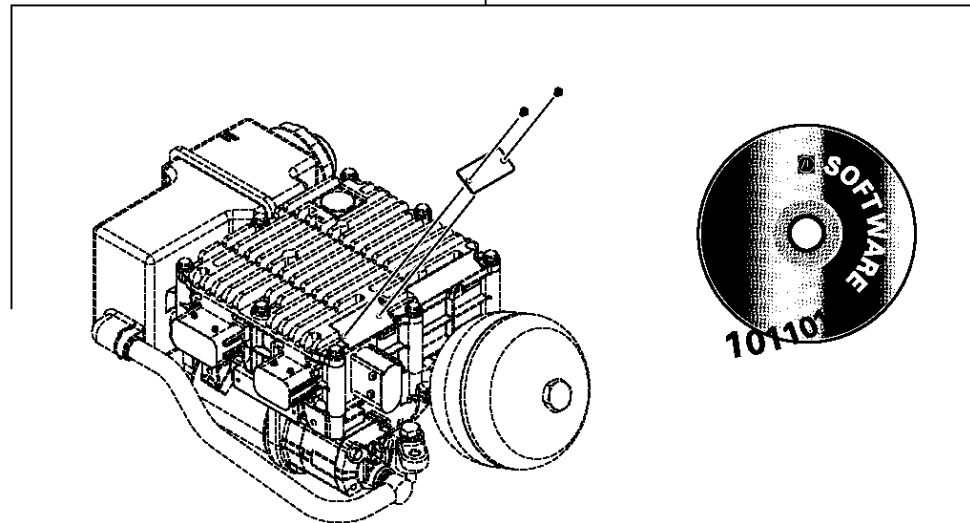
Picture: 106.07.11-10

Material-assembly-group-no: 6070.107.001



6 AS 1000 TO / ()
POWER PACK

07.010/095



Picture

Page 3 from 12

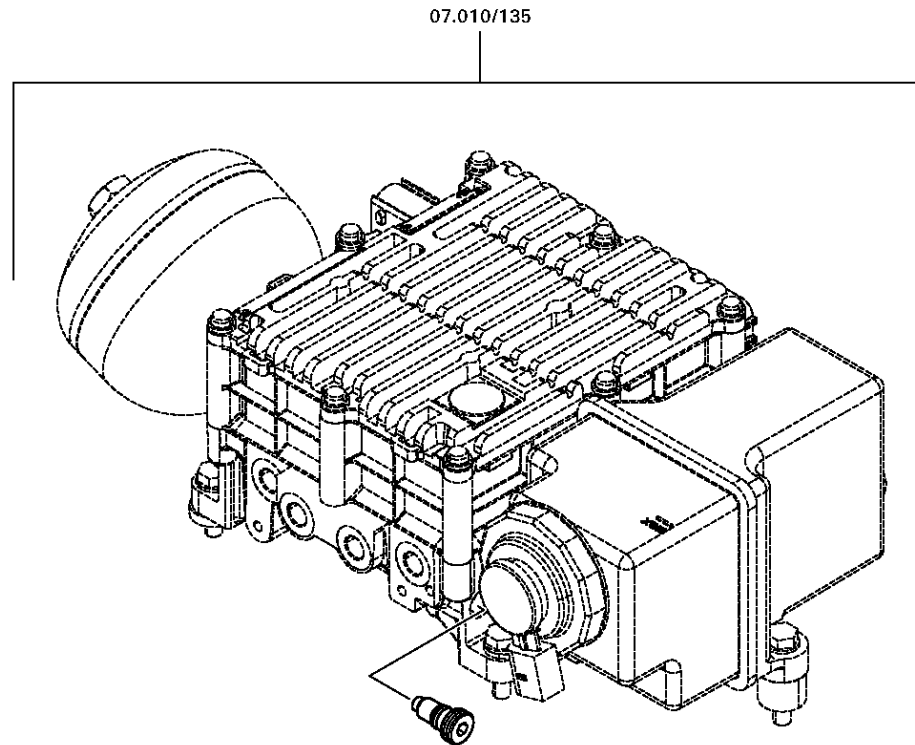
Material number: 6070.007.076

Picture: 106.07.11-11

Material-assembly-group-no: 6070.107.001



6 AS 1000 TO / ()
POWER PACK



Picture

Page 4 from 12

Material number: 6070.007.076

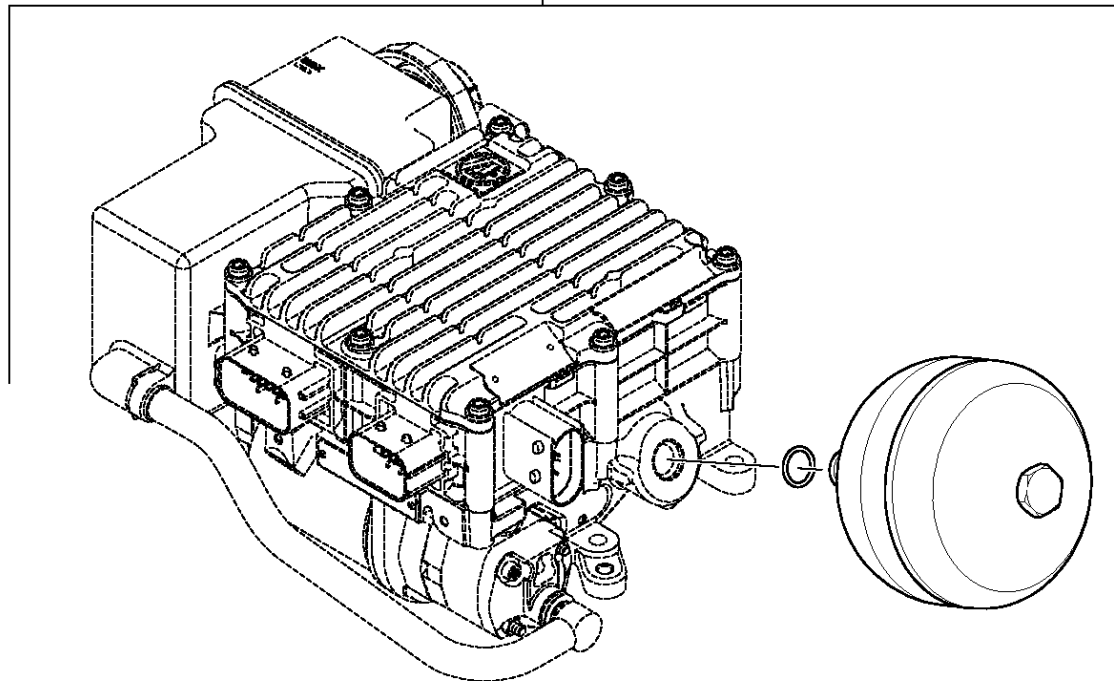
Picture: 106.07.11-2

Material-assembly-group-no: 6070.107.001



6 AS 1000 TO / ()
POWER PACK

07.010/015



Picture

Page 5 from 12

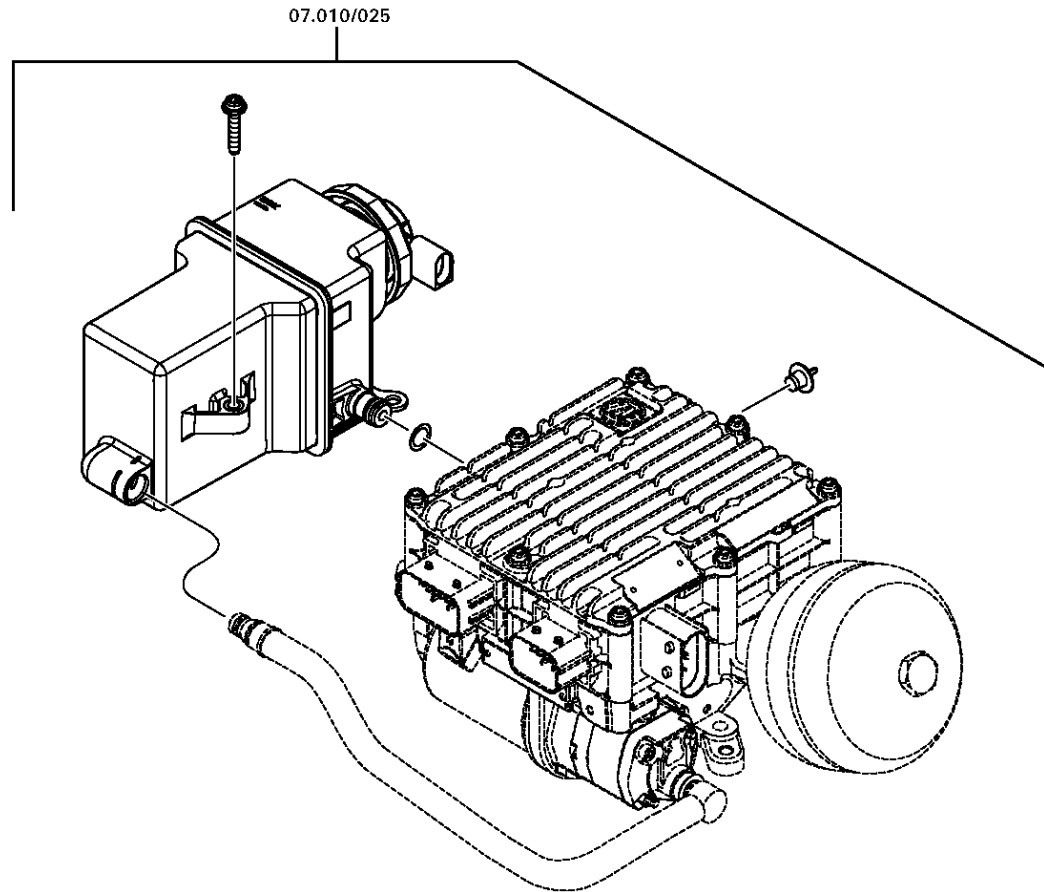
Material number: 6070.007.076

Picture: 106.07.11-3

Material-assembly-group-no: 6070.107.001



6 AS 1000 TO / ()
POWER PACK



Picture

Page 6 from 12

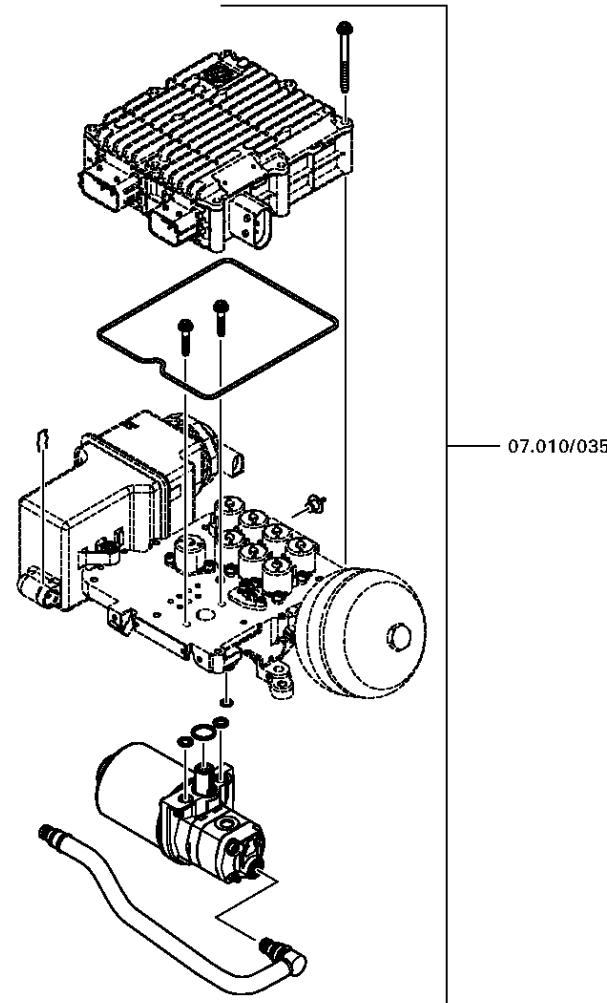
Material number: 6070.007.076

Picture: 106.07.11-4

Material-assembly-group-no: 6070.107.001



6 AS 1000 TO / ()
POWER PACK



Picture

Page 7 from 12

Material number: 6070.007.076

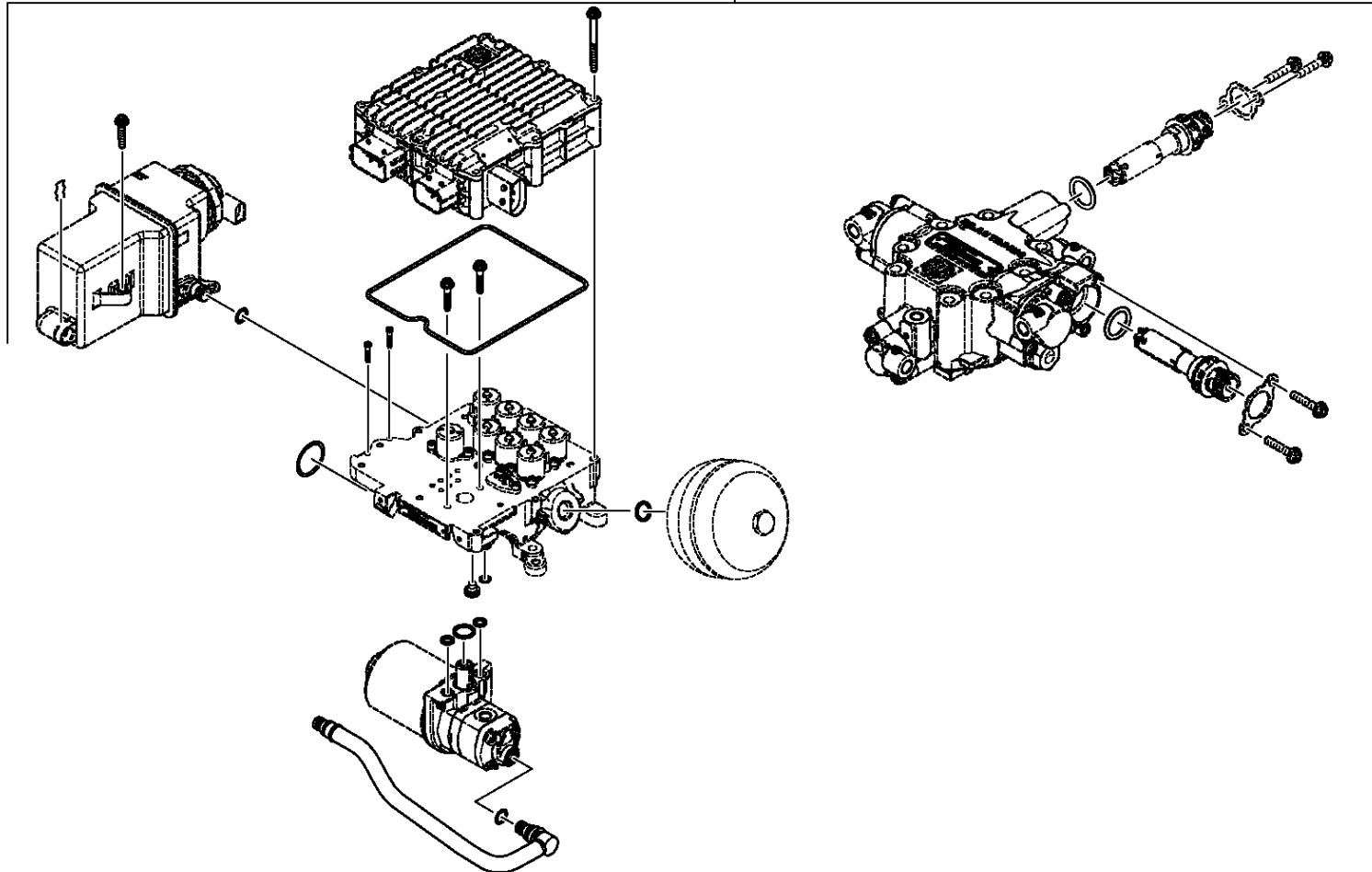
Picture: 106.07.11-5

Material-assembly-group-no: 6070.107.001



6 AS 1000 TO / ()
POWER PACK

07.010/045



Picture

Page 8 from 12

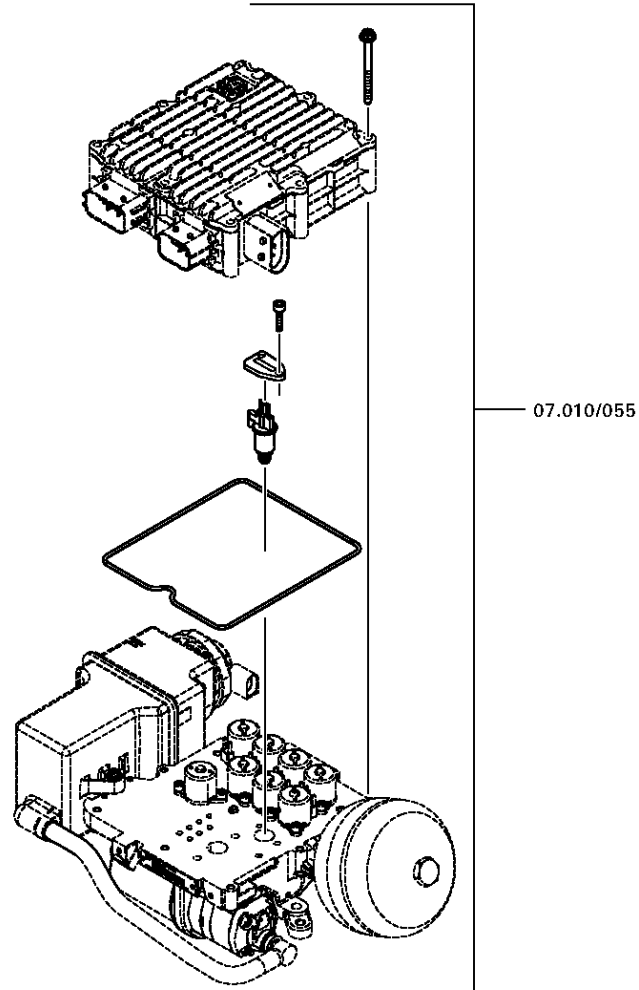
Material number: 6070.007.076

Picture: 106.07.11-6

Material-assembly-group-no: 6070.107.001



6 AS 1000 TO / ()
POWER PACK



Picture

Page 9 from 12

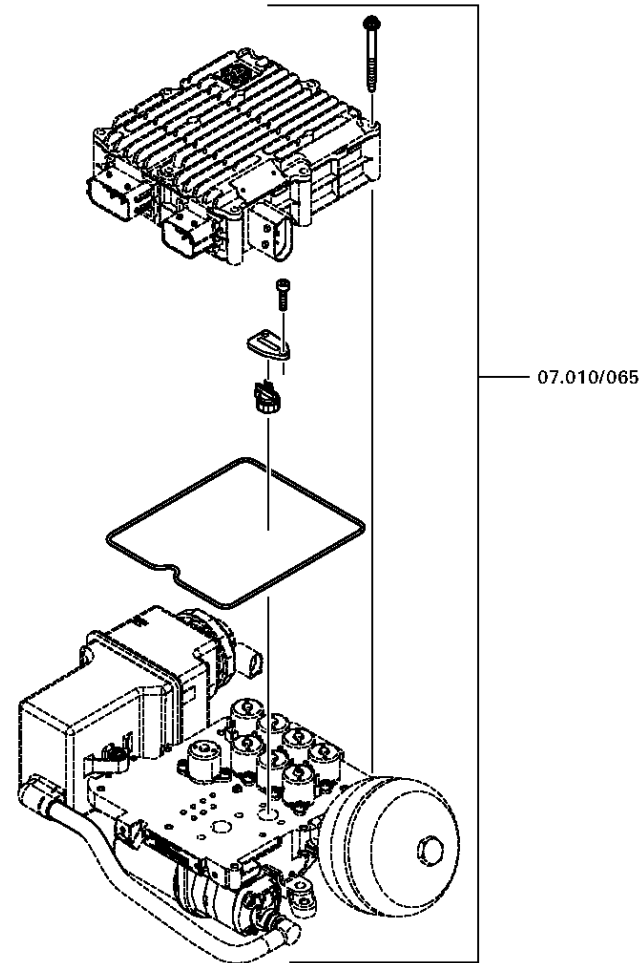
Material number: 6070.007.076

Picture: 106.07.11-7

Material-assembly-group-no: 6070.107.001



6 AS 1000 TO / ()
POWER PACK



Picture

Page 10 from 12

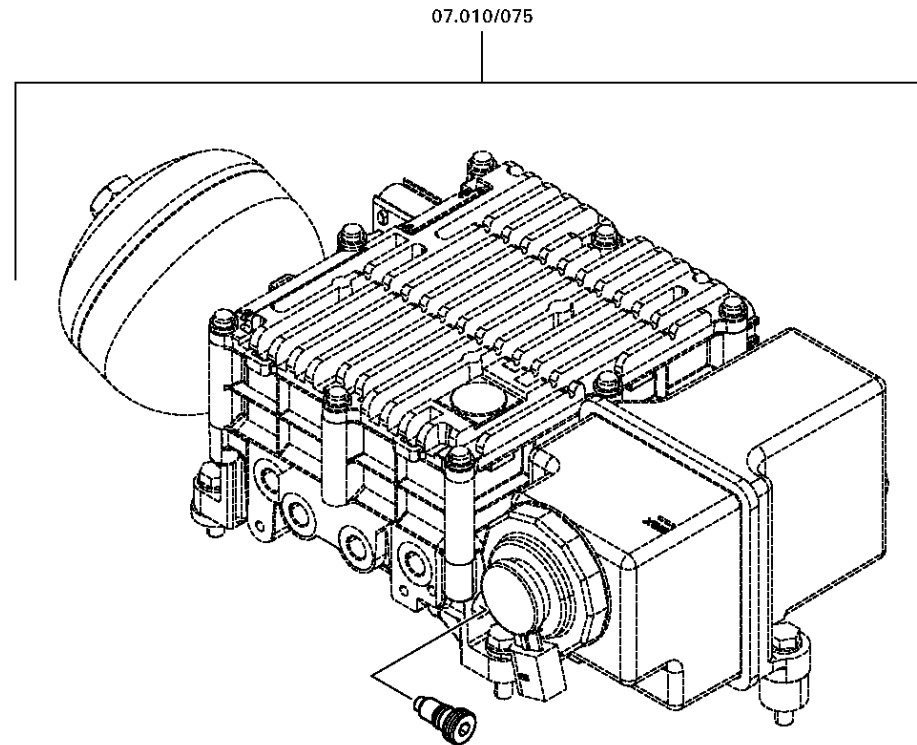
Material number: 6070.007.076

Picture: 106.07.11-8

Material-assembly-group-no: 6070.107.001



6 AS 1000 TO / ()
POWER PACK



Picture

Page 11 from 12

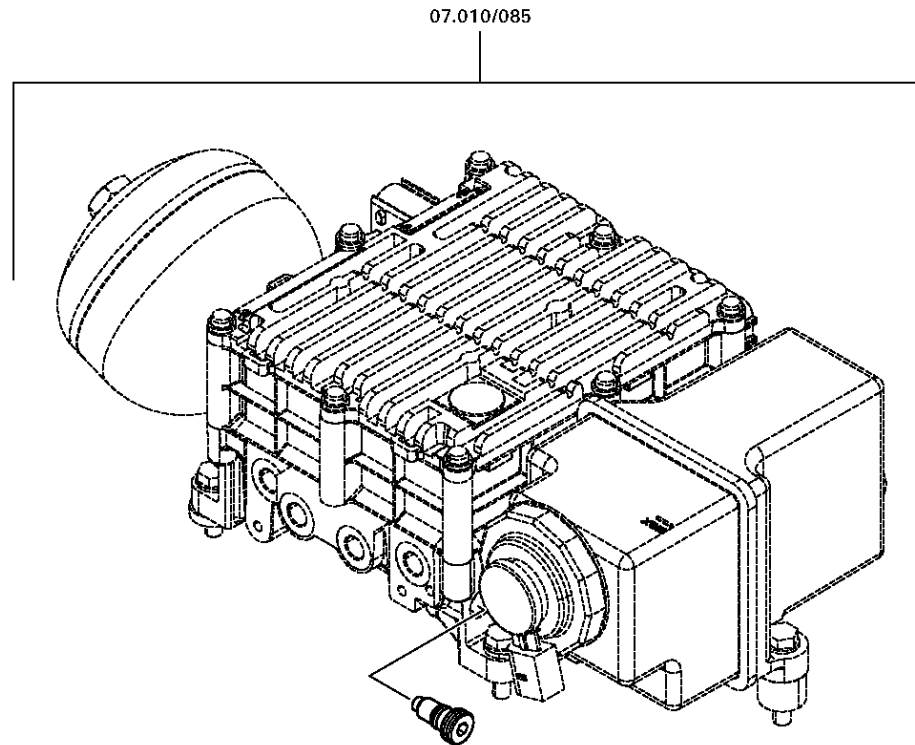
Material number: 6070.007.076

Picture: 106.07.11-9

Material-assembly-group-no: 6070.107.001



6 AS 1000 TO / ()
POWER PACK



Picture

Page 12 from 12

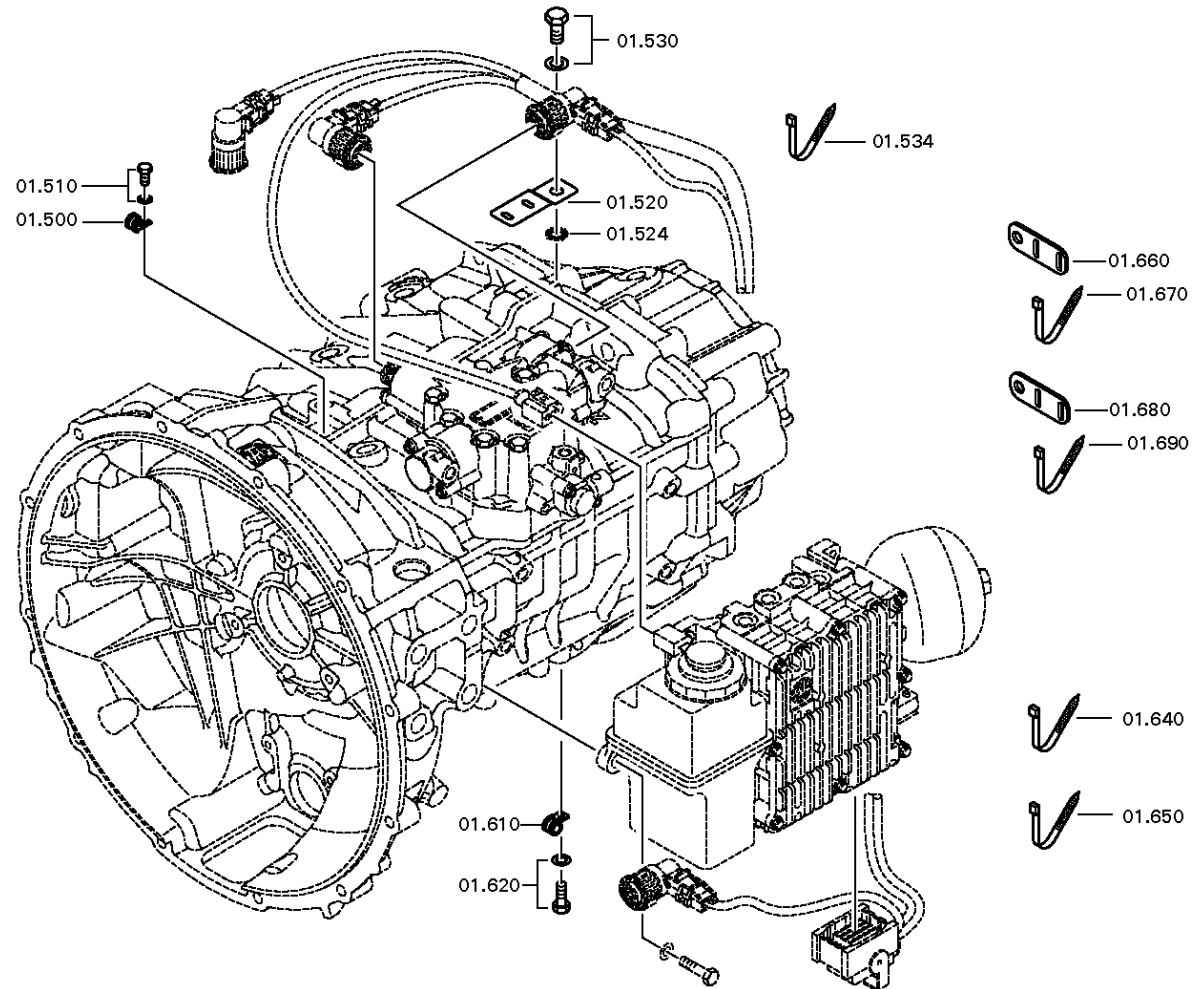
Material number: 6070.007.076

Picture: 106.01.81-1

Material-assembly-group-no: 6070.107.001



6 AS 1000 TO / ()
POWER PACK



Picture

Page 1 from 3

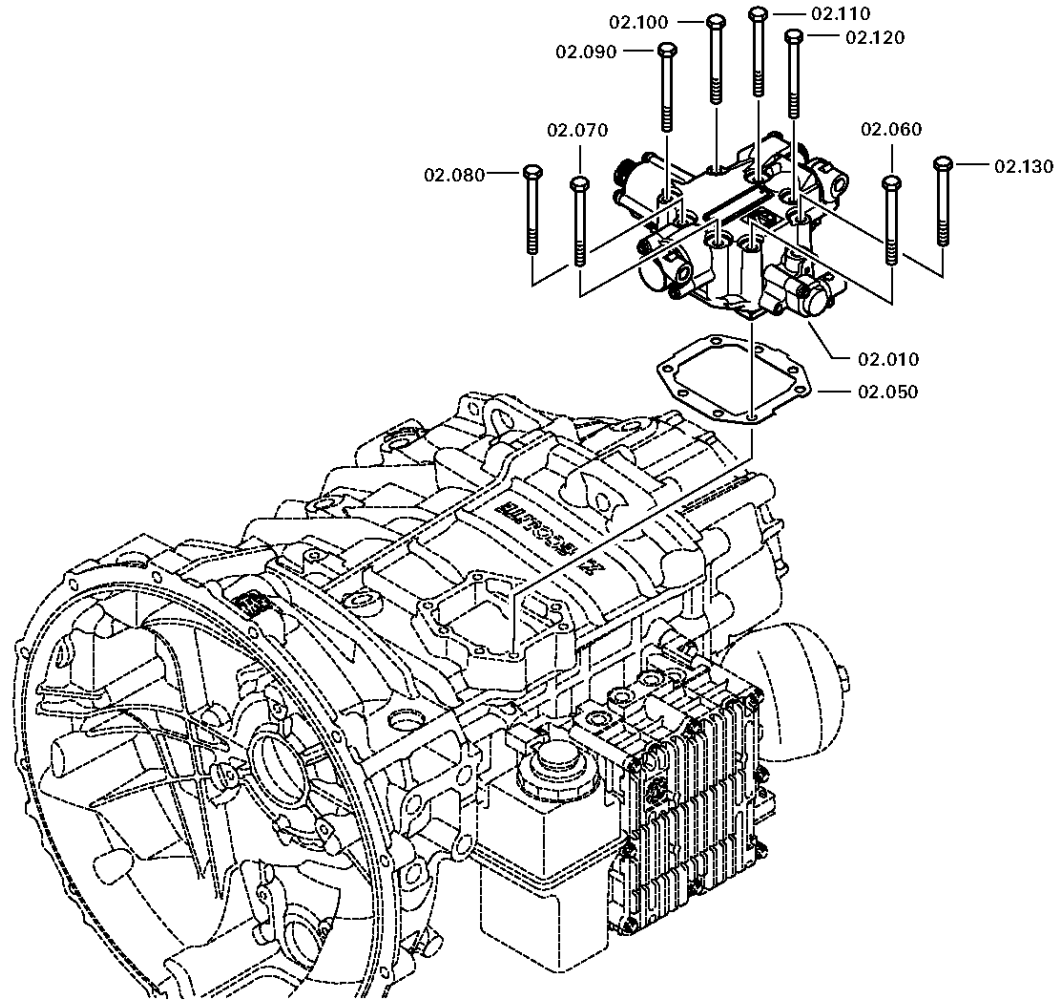
Material number: 6070.007.076

Picture: 106.02.14-1

Material-assembly-group-no: 6070.102.009



6 AS 1000 TO / ()
TRANSMISSION ACTUATOR



Picture

Page 2 from 3

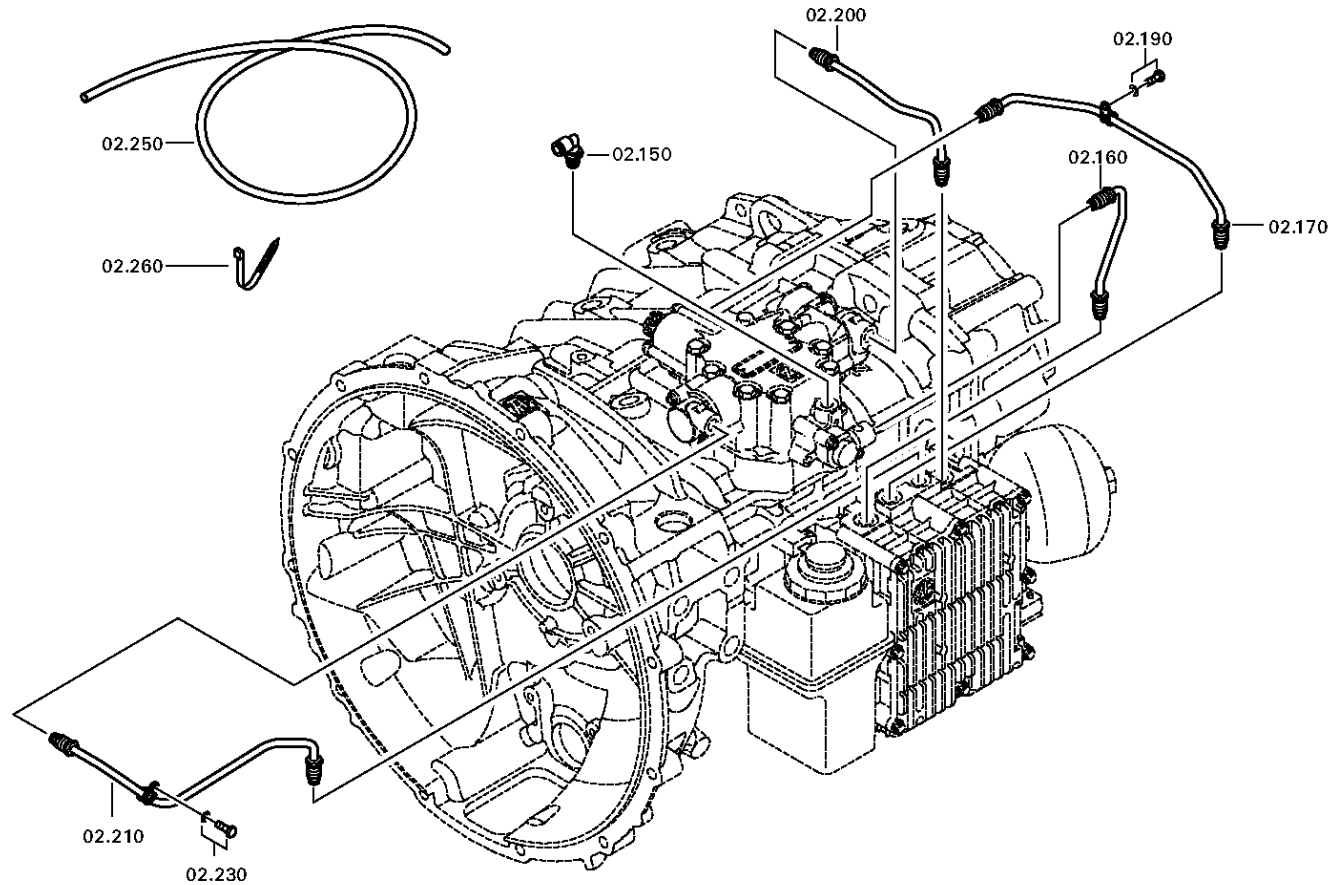
Material number: 6070.007.076

Picture: 106.02.14-2

Material-assembly-group-no: 6070.102.009



6 AS 1000 TO / ()
TRANSMISSION ACTUATOR



Picture

Page 3 from 3

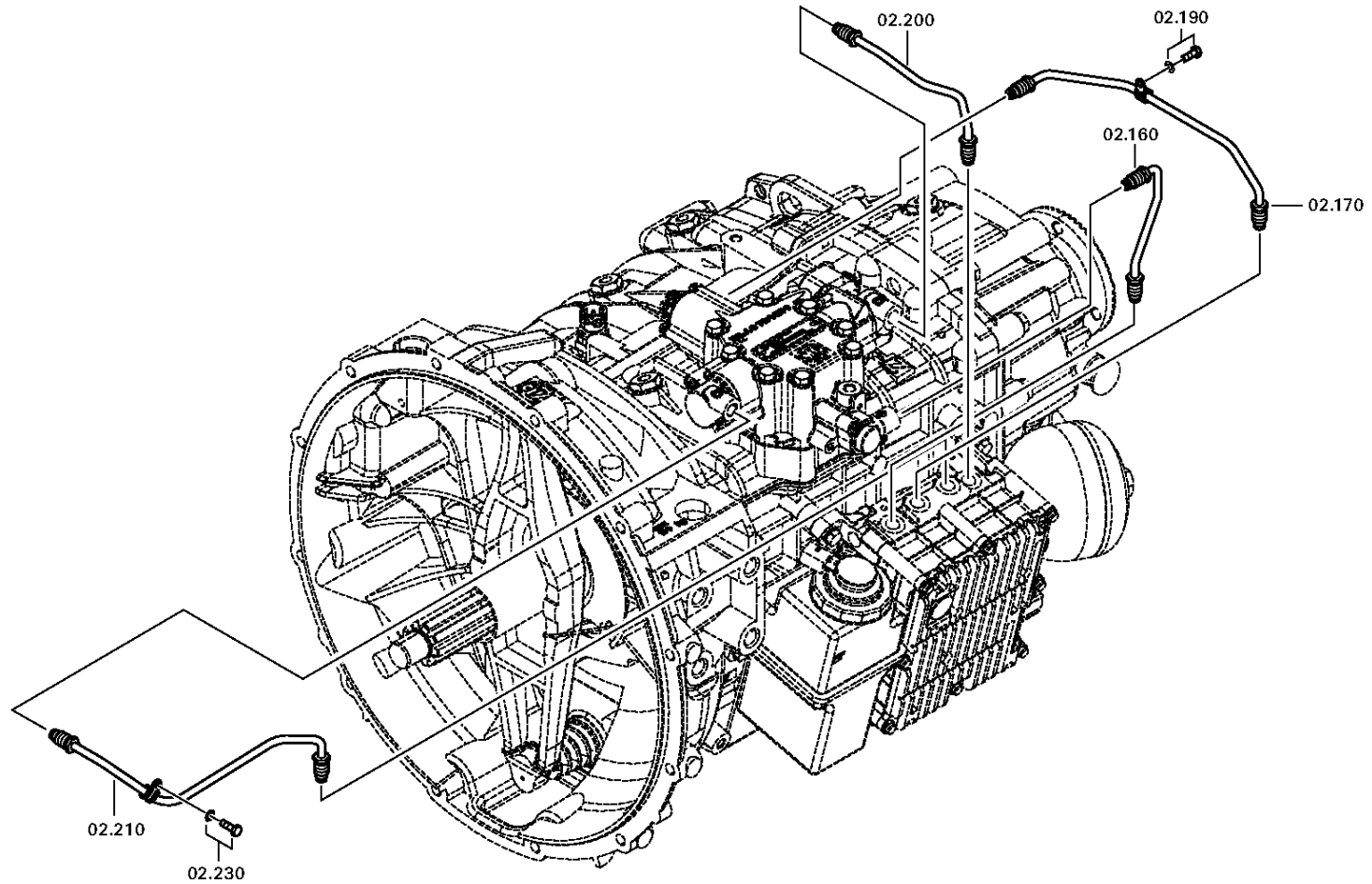
Material number: 6070.007.076

Picture: 106.02.80-1

Material-assembly-group-no: 6070.102.009



6 AS 1000 TO / ()
TRANSMISSION ACTUATOR



Picture

Page 1 from 1

Material number: 6070.007.076

Picture: 106.68.11-1

Material-assembly-group-no: 6070.168.005



6 AS 1000 TO / ()
CLUTCH ACTUATOR

