

Picture

Page 1 from 1

Material number: 1348.045.045

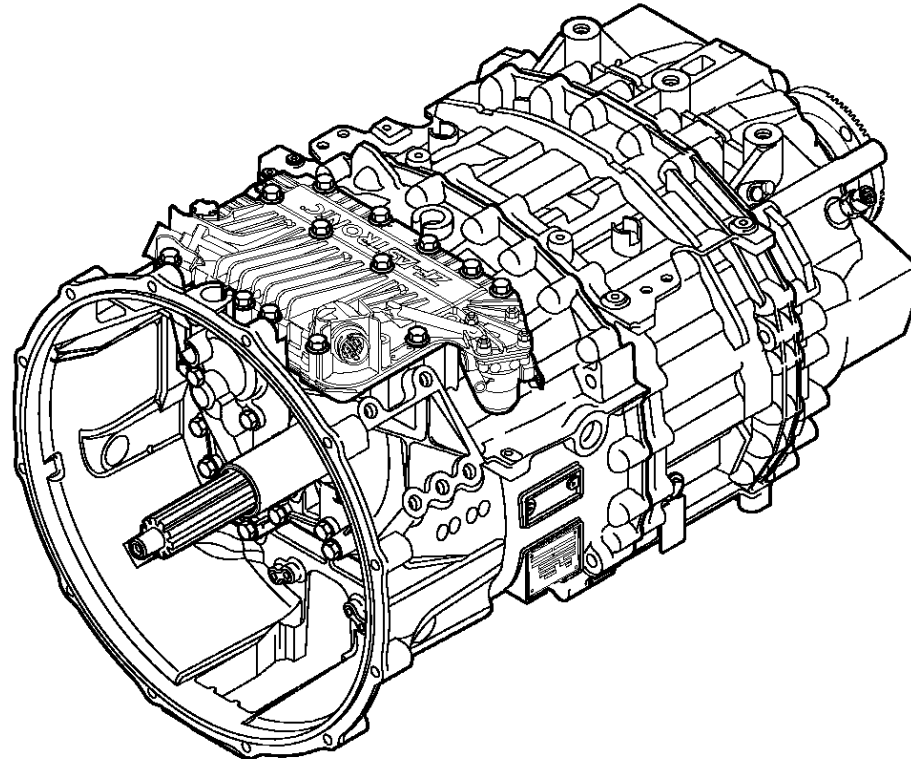
Picture: 105.A1.01-1

Material-assembly-group-no: 1348.013.035



12 AS 2301 BO / ()

12 AS BO IT



Picture

Page 1 from 1

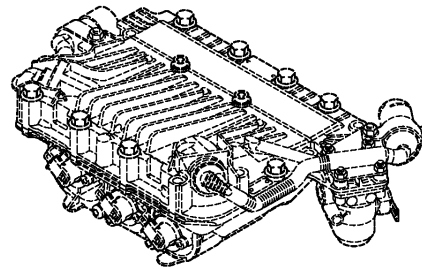
Material number: 1348.045.045

Picture: 105.B3.002

Material-assembly-group-no: 6009.097.094



12 AS 2301 BO / ()
GS 3.3



97.990 — A downward-pointing arrow icon enclosed in a square frame.

Picture

Page 1 from 2

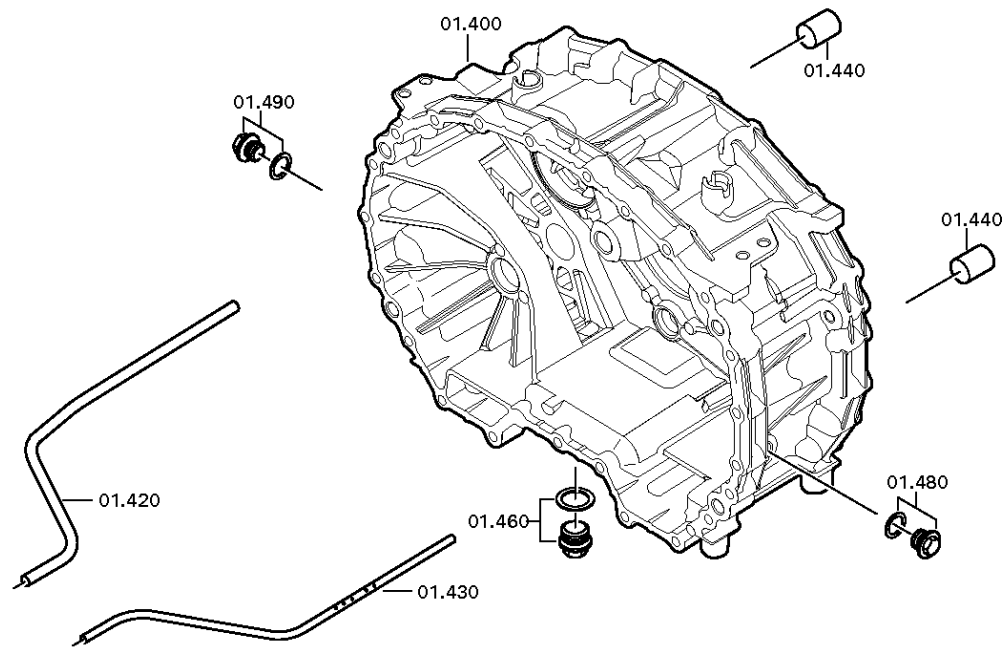
Material number: 1348.013.035

Picture: 105.01.43-1

TRANSMISSION HOUSING



12 AS 2301 BO / ()
TRANSMISSION HOUSING



Picture

Page 2 from 2

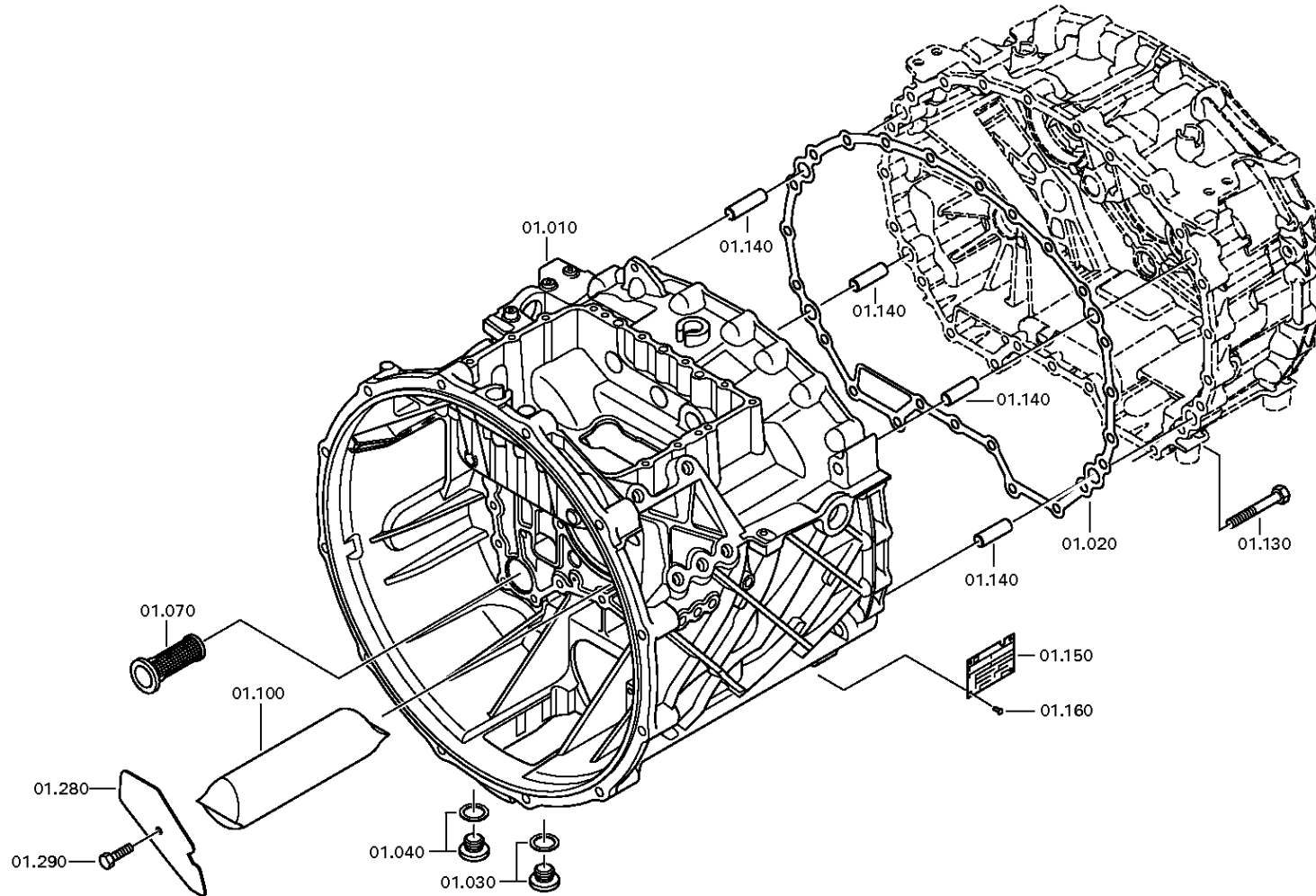
Material number: 1348.013.035

Picture: 105.01.05-1

TRANSMISSION HOUSING



12 AS 2301 BO / ()
TRANSMISSION HOUSING



Picture

Page 1 from 3

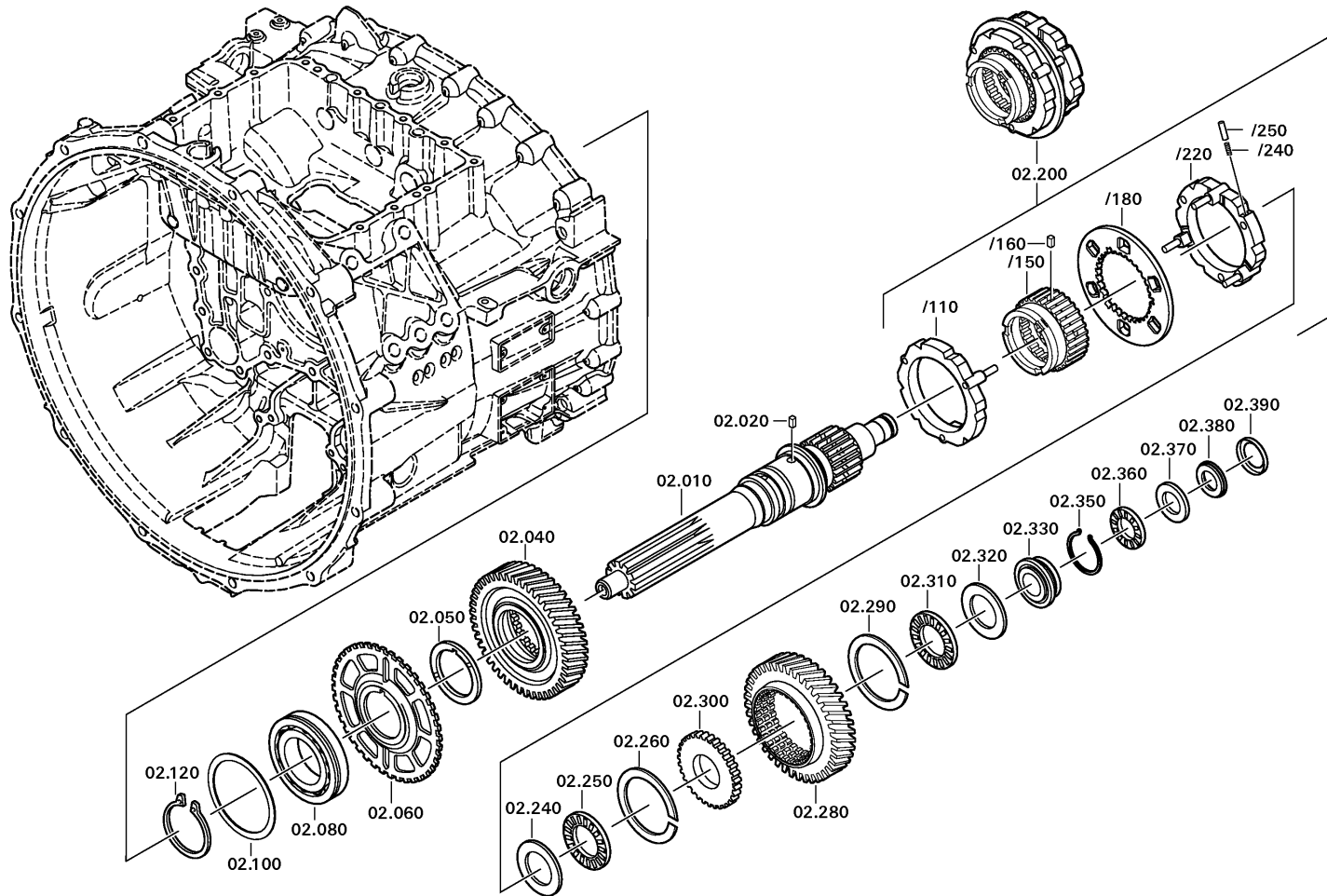
Material number: 1348.013.035

Picture: 105.02.03-1

INPUT SHAFT



12 AS 2301 BO / ()
INPUT SHAFT



Picture

Page 2 from 3

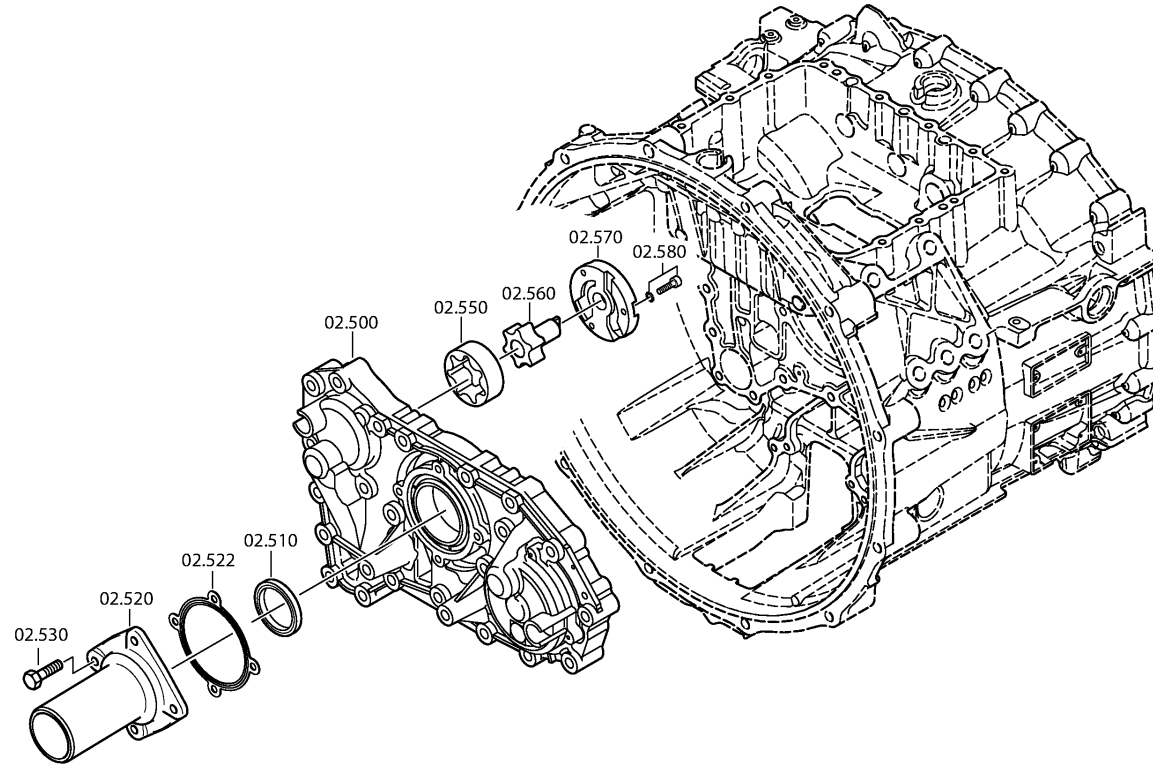
Material number: 1348.013.035

Picture: 105.02.40-1

INPUT SHAFT



12 AS 2301 BO / ()
INPUT SHAFT



Picture

Page 3 from 3

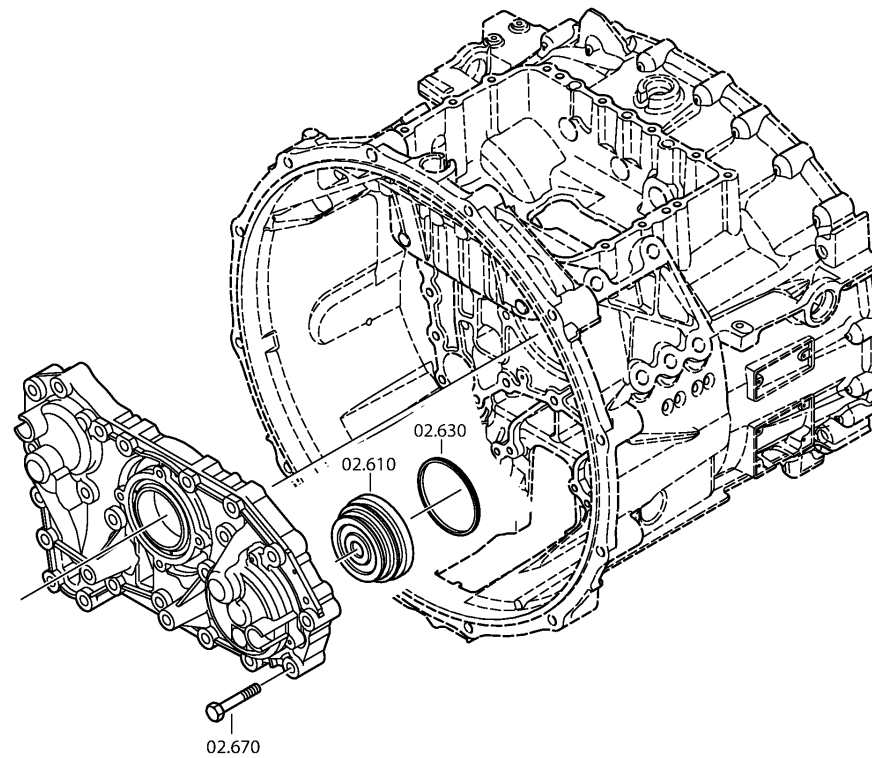
Material number: 1348.013.035

Picture: 105.02.80-1

INPUT SHAFT



12 AS 2301 BO / ()
INPUT SHAFT



Picture

Page 1 from 2

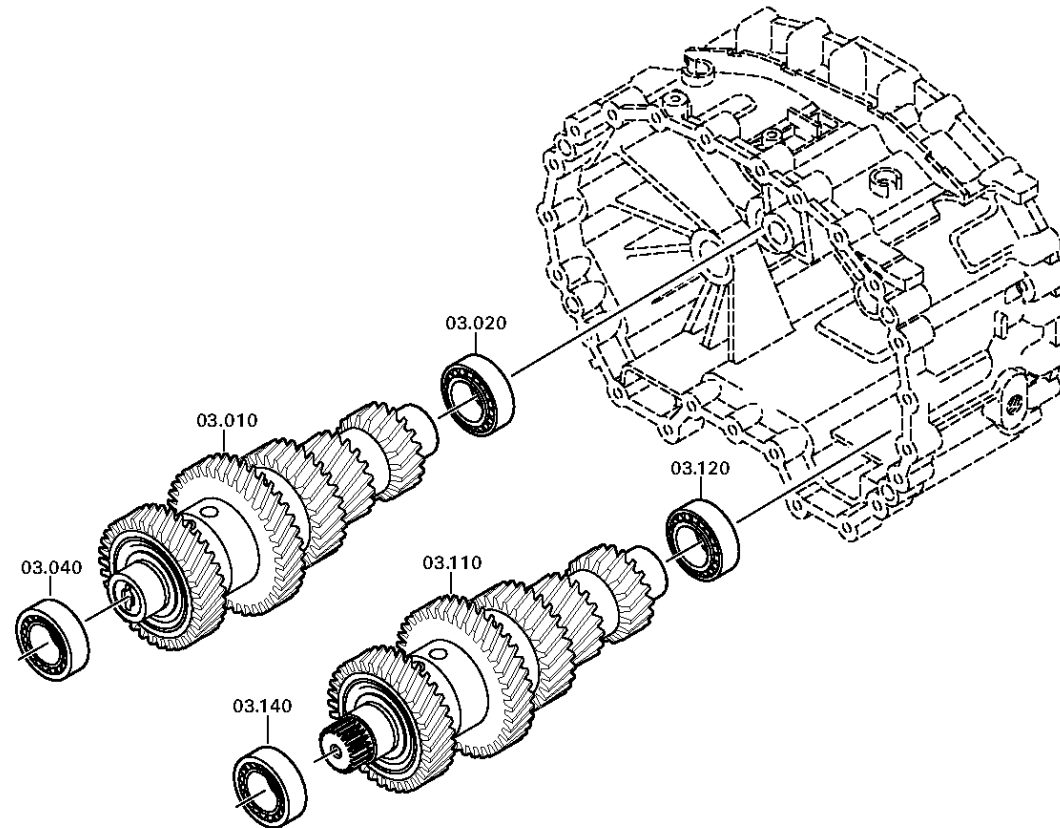
Material number: 1348.013.035

Picture: 105.03.02-1

COUNTERSHAFT



12 AS 2301 BO / ()
COUNTERSHAFT



Picture

Page 2 from 2

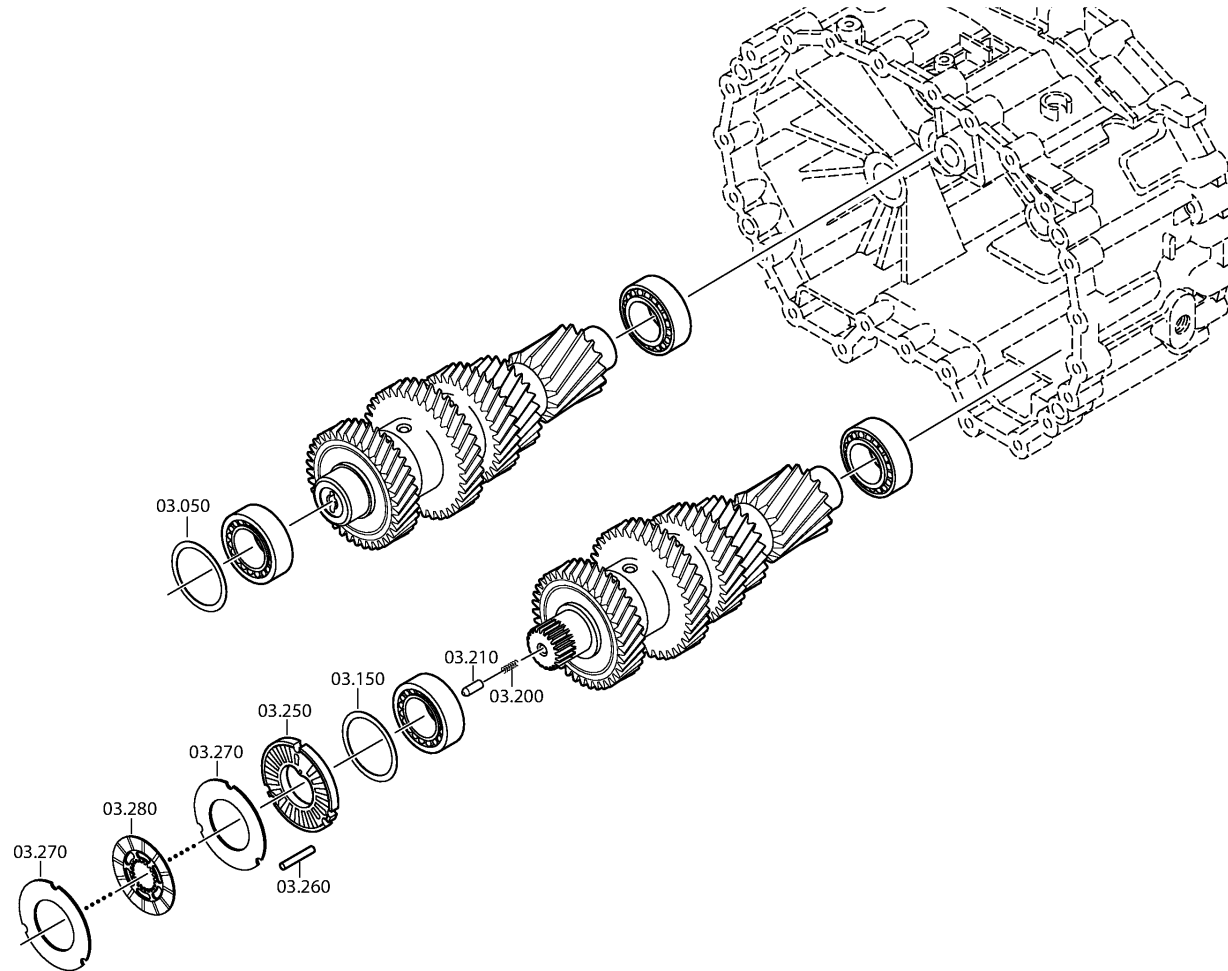
Material number: 1348.013.035

Picture: 105.03.80-1

COUNTERSHAFT



12 AS 2301 BO / ()
COUNTERSHAFT



Picture

Page 1 from 1

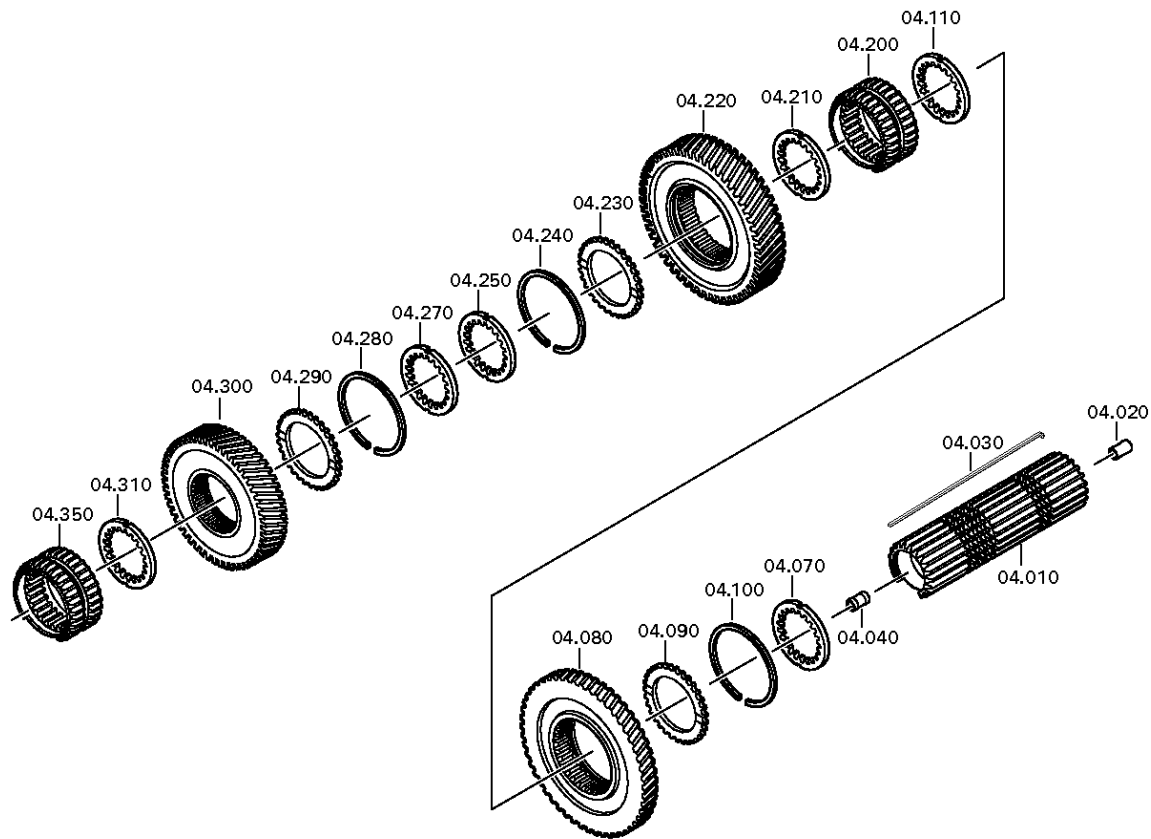
Material number: 1348.013.035

Picture: 105.04.05-1

Material-assembly-group-no: 1327.104.017



12 AS 2301 BO / ()
MAIN SHAFT



Picture

Page 1 from 1

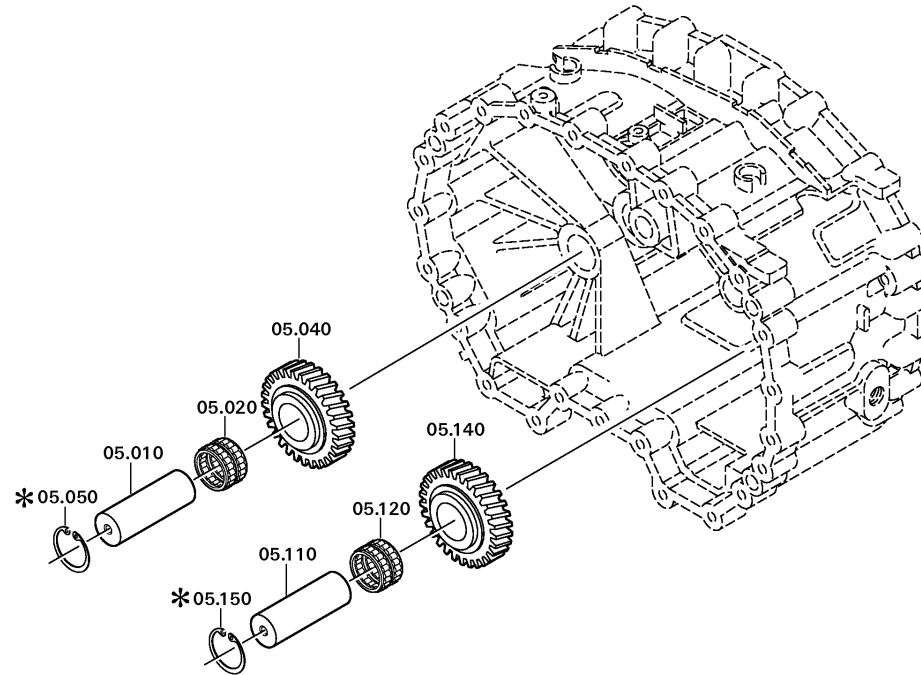
Material number: 1348.013.035

Picture: 105.005.001-1

Material-assembly-group-no: 1328.105.005



12 AS 2301 BO / ()
RETURN



Picture

Page 1 from 3

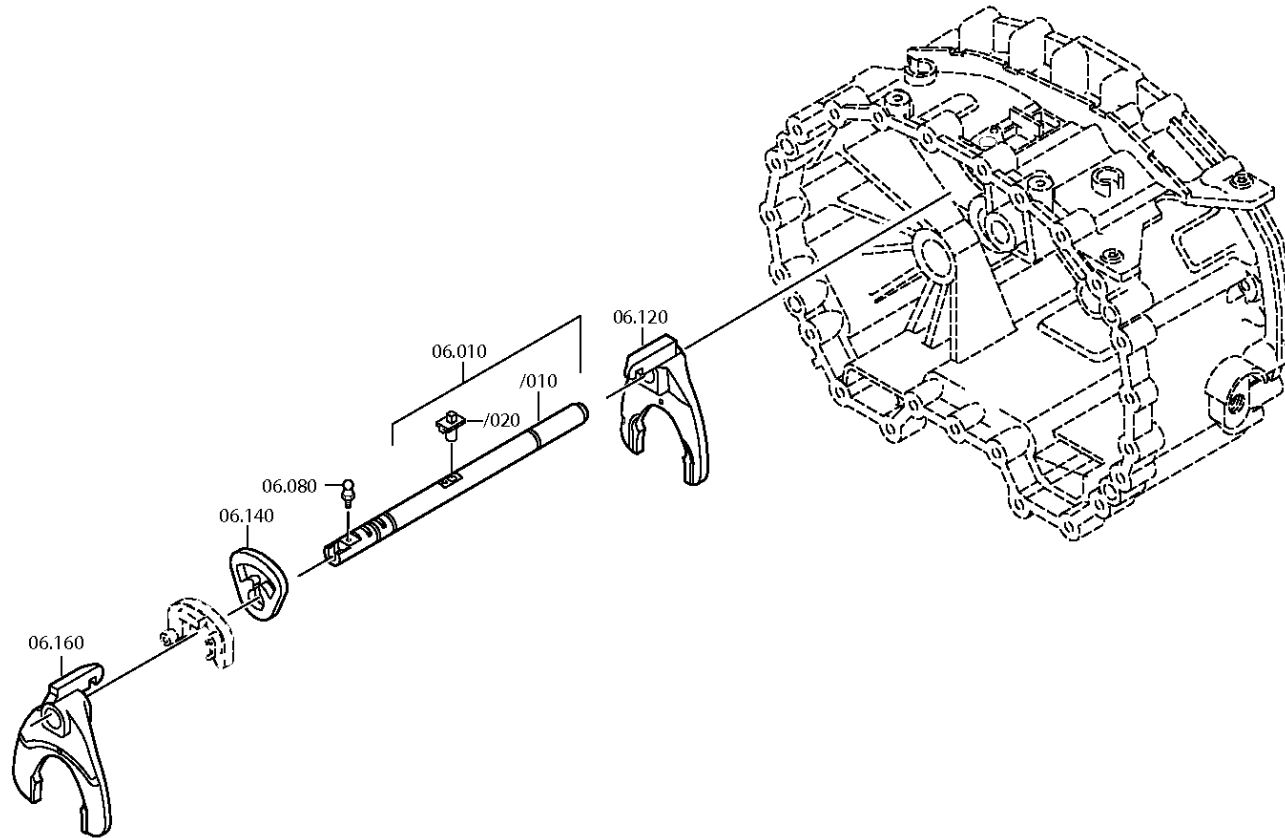
Material number: 1348.013.035

Picture: 105.06.08-1

SHIFT SYSTEM



12 AS 2301 BO / ()
SHIFT SYSTEM



Picture

Page 2 from 3

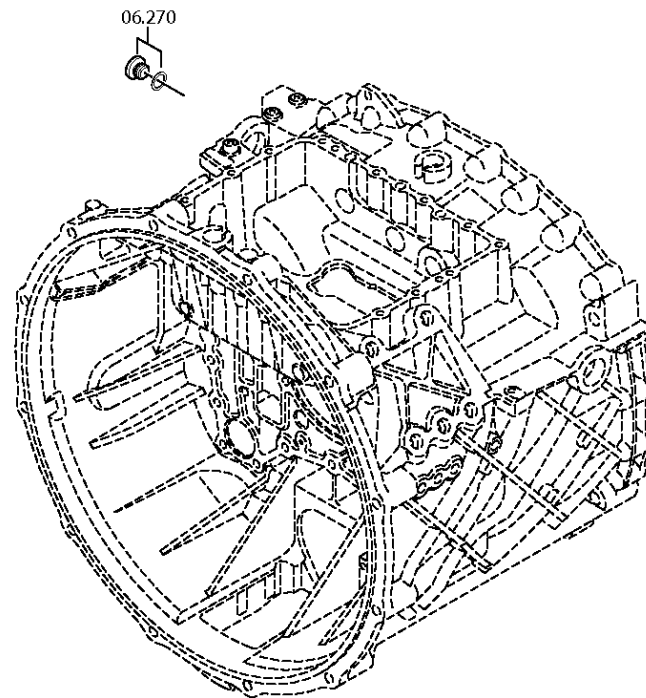
Material number: 1348.013.035

Picture: 105.06.41-1

SHIFT SYSTEM



12 AS 2301 BO / ()
SHIFT SYSTEM



Picture

Page 3 from 3

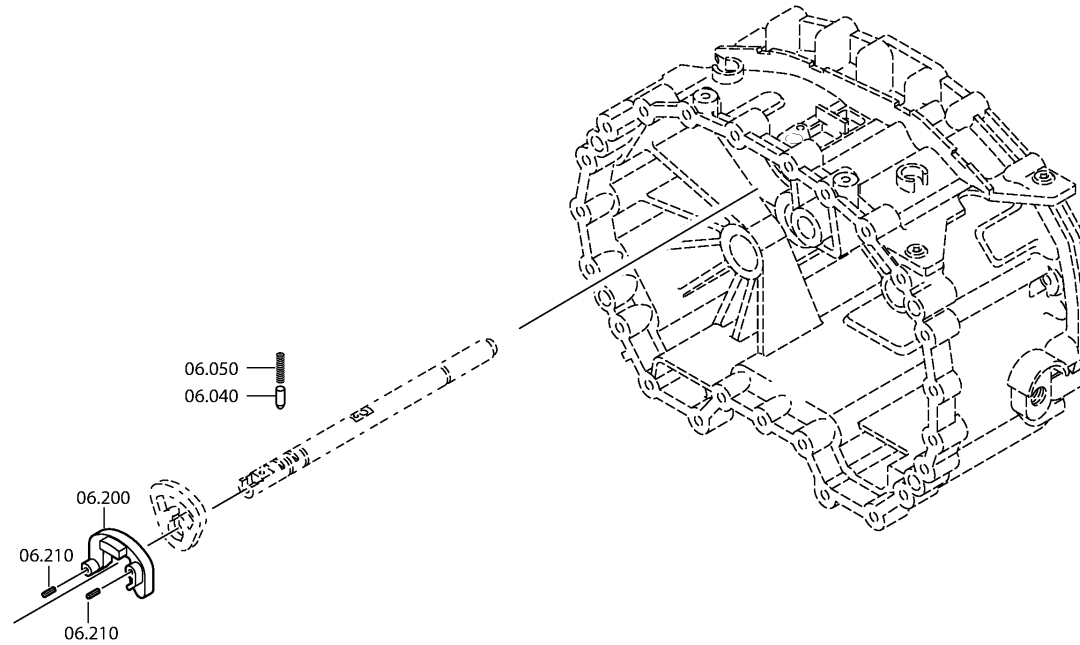
Material number: 1348.013.035

Picture: 105.06.80-1

SHIFT SYSTEM



12 AS 2301 BO / ()
SHIFT SYSTEM



Picture

Page 1 from 1

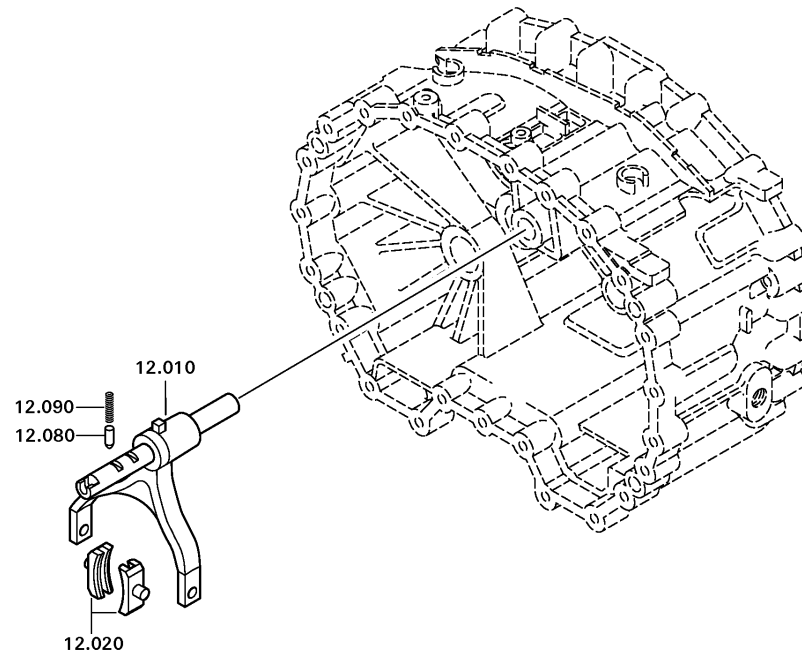
Material number: 1348.013.035

Picture: 105.40.05-1

Material-assembly-group-no: 1328.112.004



12 AS 2301 BO / ()
GV-SHIFT SYSTEM



Picture

Page 1 from 3

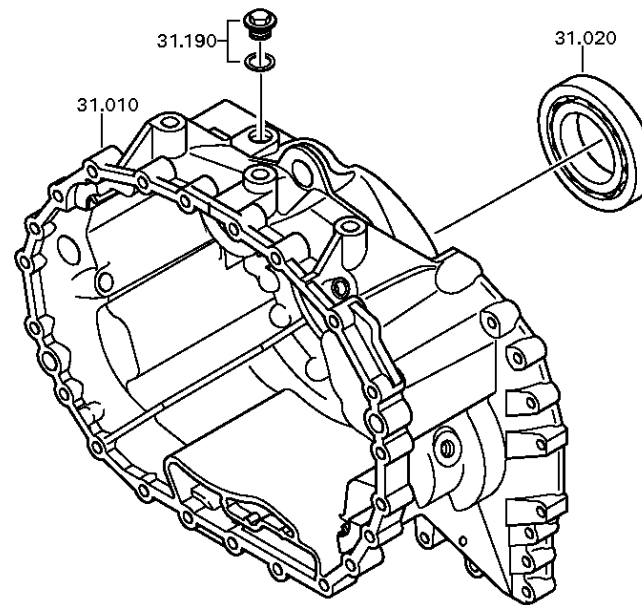
Material number: 1348.013.035

Picture: 105.43.04-1

RC HOUSING



12 AS 2301 BO / ()
RC HOUSING



Picture

Page 2 from 3

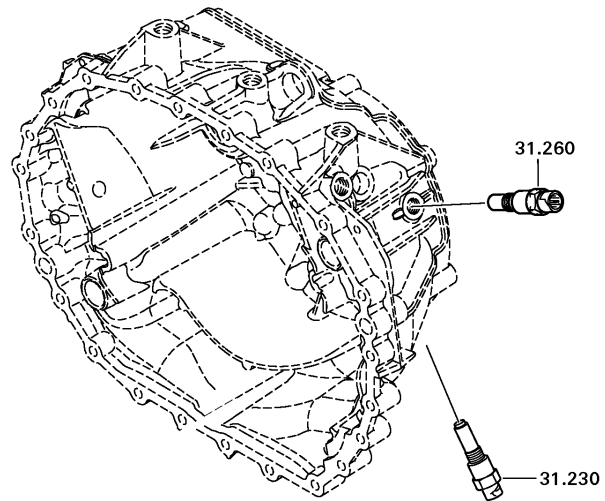
Material number: 1348.013.035

Picture: 105.43.42-1

RC HOUSING



12 AS 2301 BO / ()
RC HOUSING



Picture

Page 3 from 3

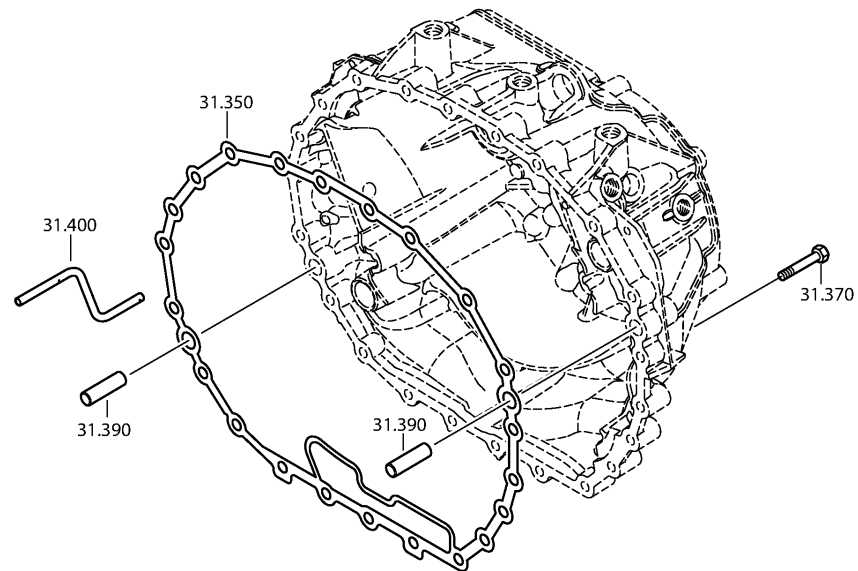
Material number: 1348.013.035

Picture: 105.43.80-1

RC HOUSING



12 AS 2301 BO / ()
RC HOUSING



Picture

Page 1 from 2

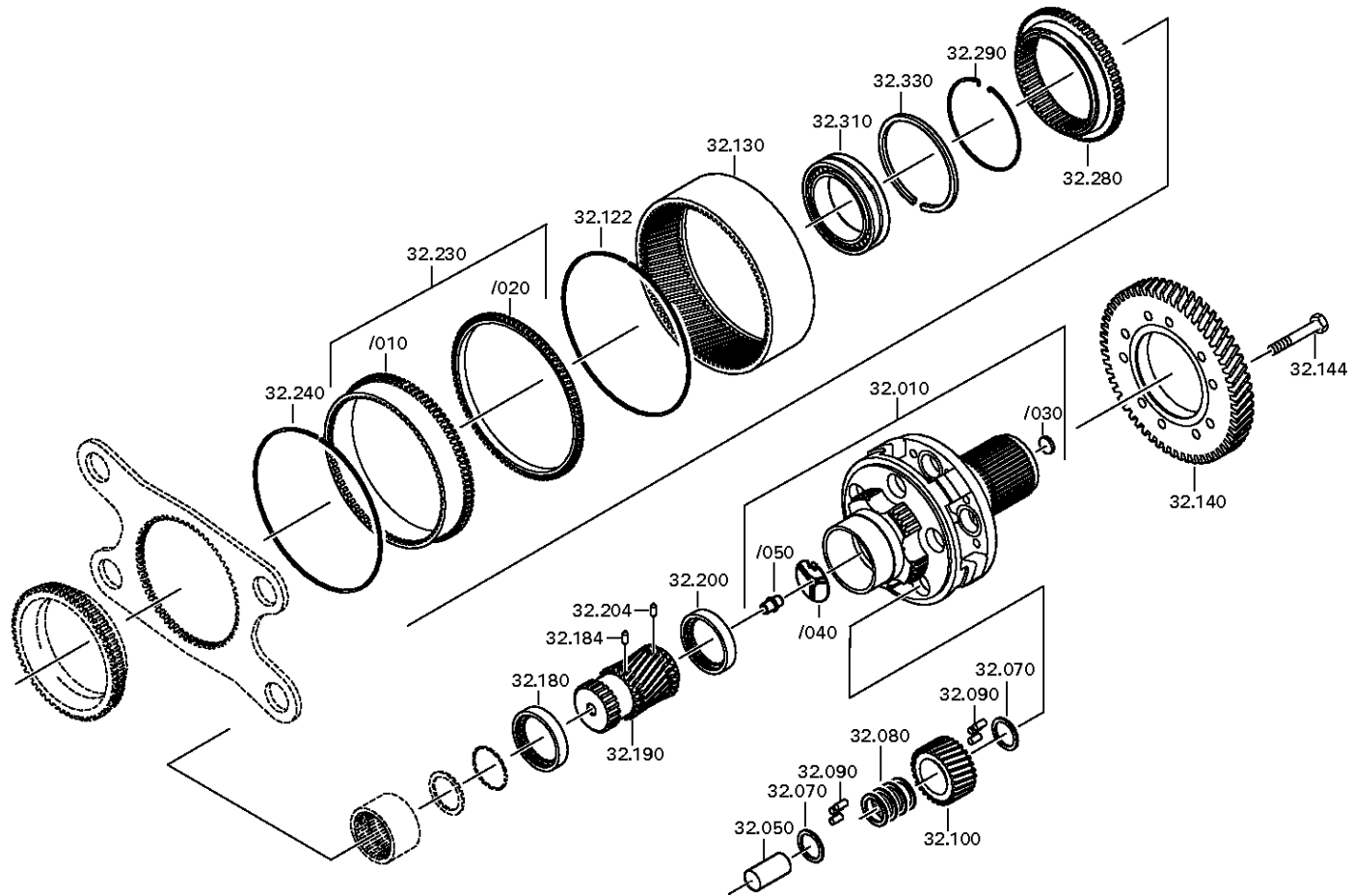
Material number: 1348.013.035

Picture: 105.44.02-1

PLANETARY DRIVE



12 AS 2301 BO / ()
PLANETARY DRIVE



Picture

Page 2 from 2

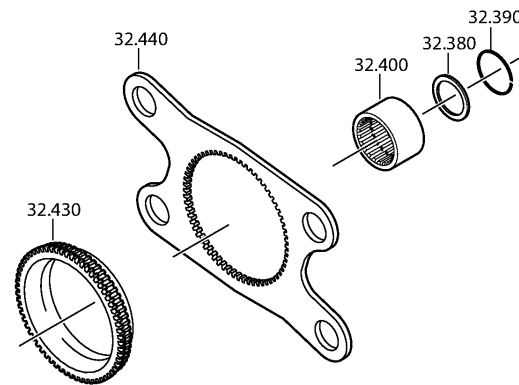
Material number: 1348.013.035

Picture: 105.44.80-1

PLANETARY DRIVE



12 AS 2301 BO / ()
PLANETARY DRIVE



Picture

Page 1 from 1

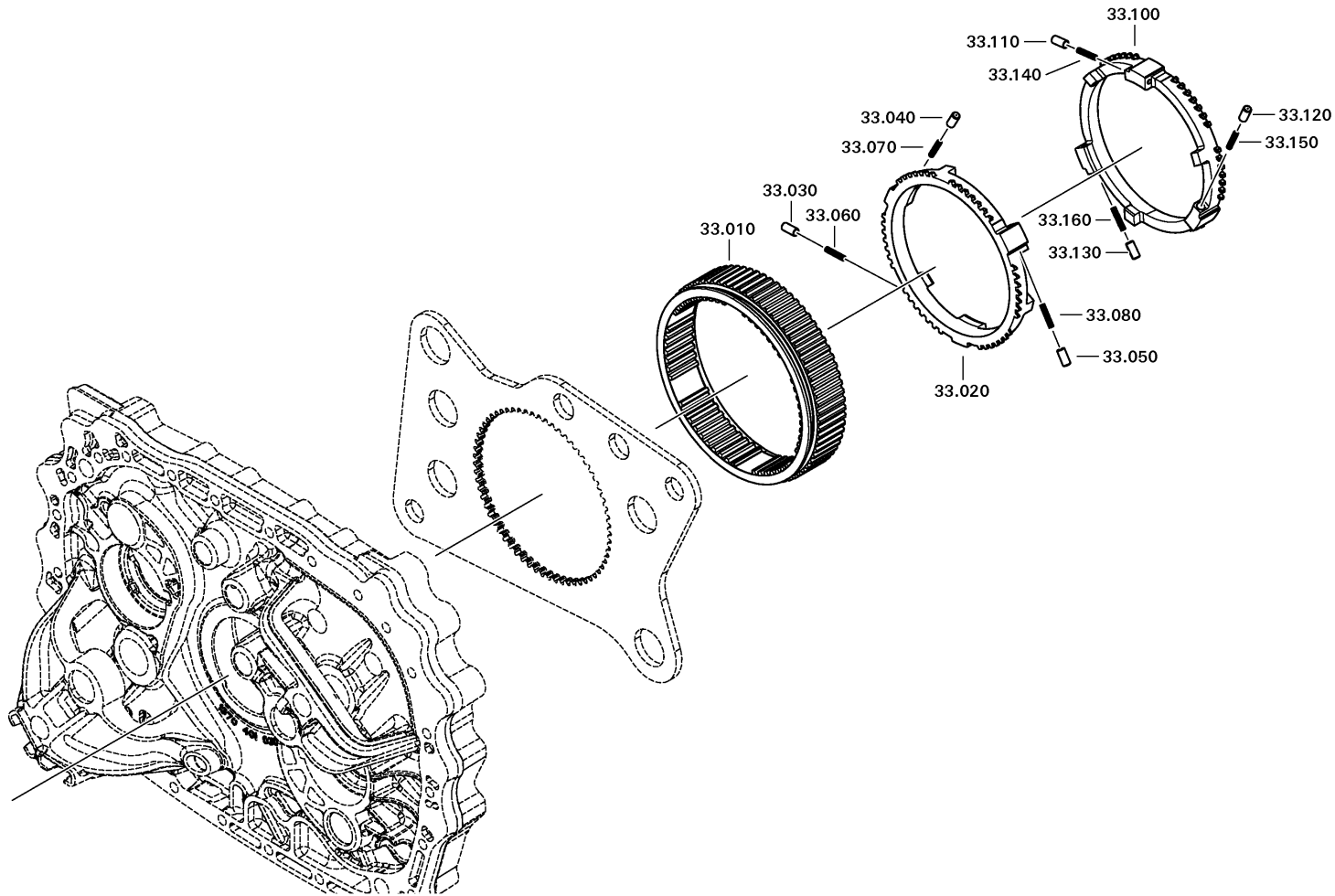
Material number: 1348.013.035

Picture: 194.033.001-1

Material-assembly-group-no: 1358.133.002



12 AS 2301 BO / ()
SYNCHRONIZER GP



Picture

Page 1 from 1

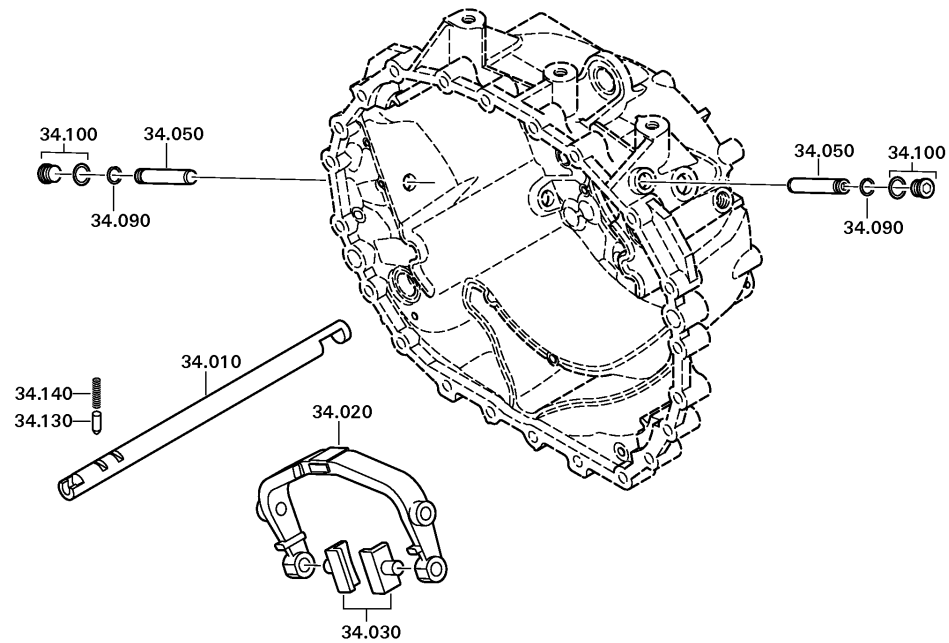
Material number: 1348.013.035

Picture: 105.046.003-1

Material-assembly-group-no: 1327.134.007



12 AS 2301 BO / ()
GP SHIFT SYSTEM



Picture

Page 1 from 2

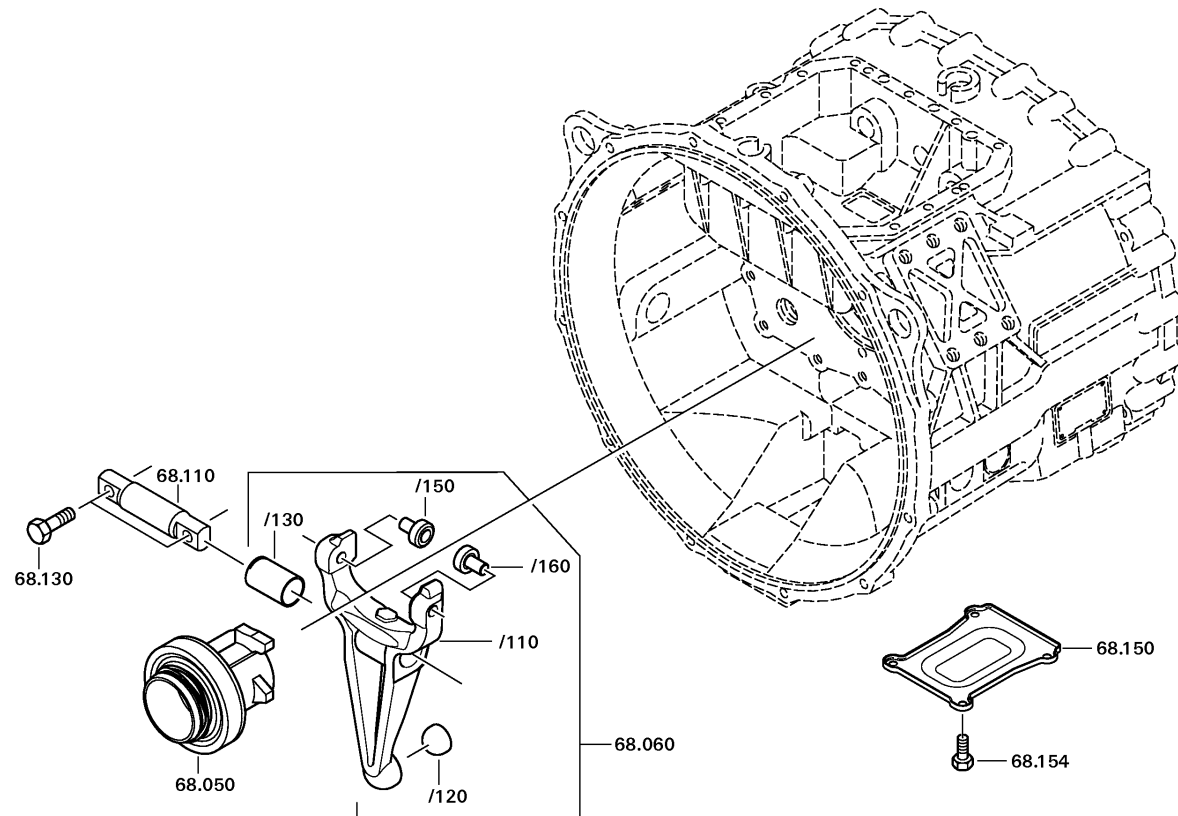
Material number: 1348.013.035

Picture: 105.093.010-1

CLUTCH RELEASE DEVICE



12 AS 2301 BO / ()
CLUTCH RELEASE DEVICE



Picture

Page 2 from 2

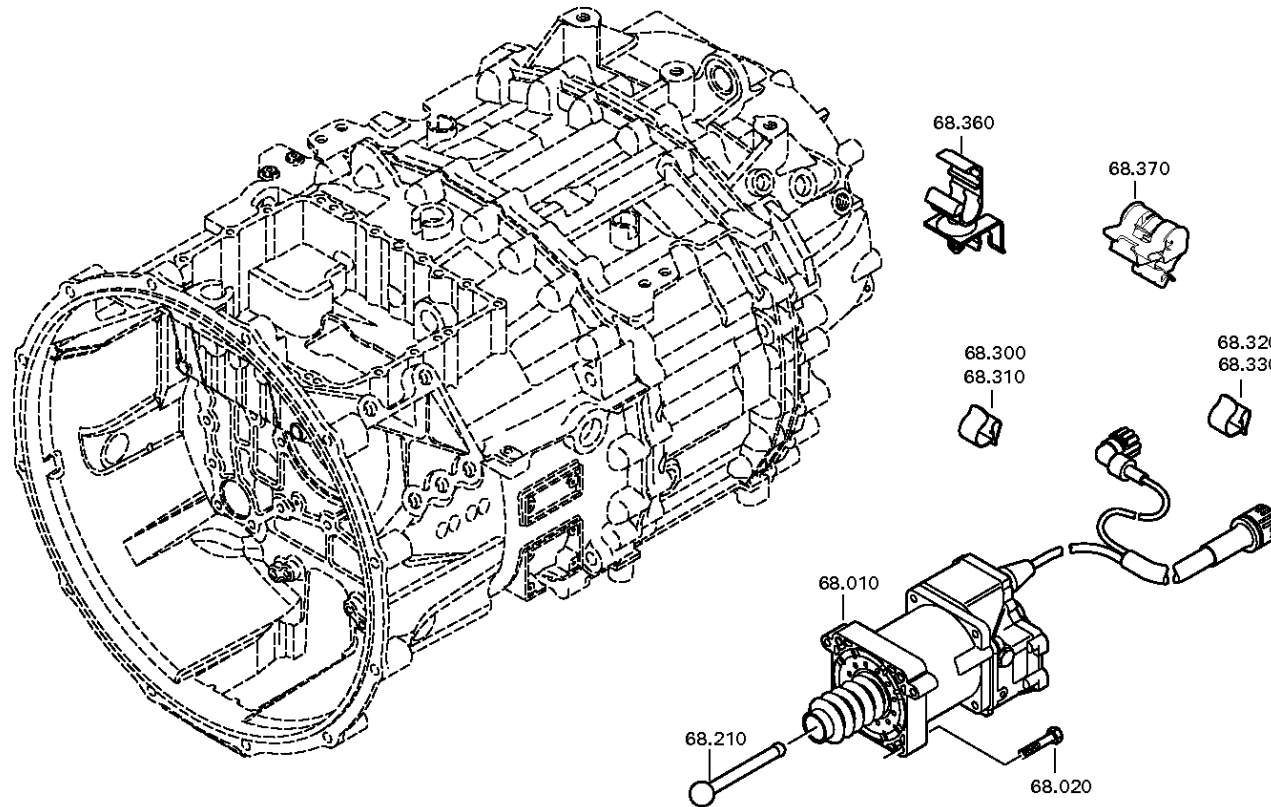
Material number: 1348.013.035

Picture: 105.93.94-1

CLUTCH RELEASE DEVICE



12 AS 2301 BO / ()
CLUTCH RELEASE DEVICE



Picture

Page 1 from 1

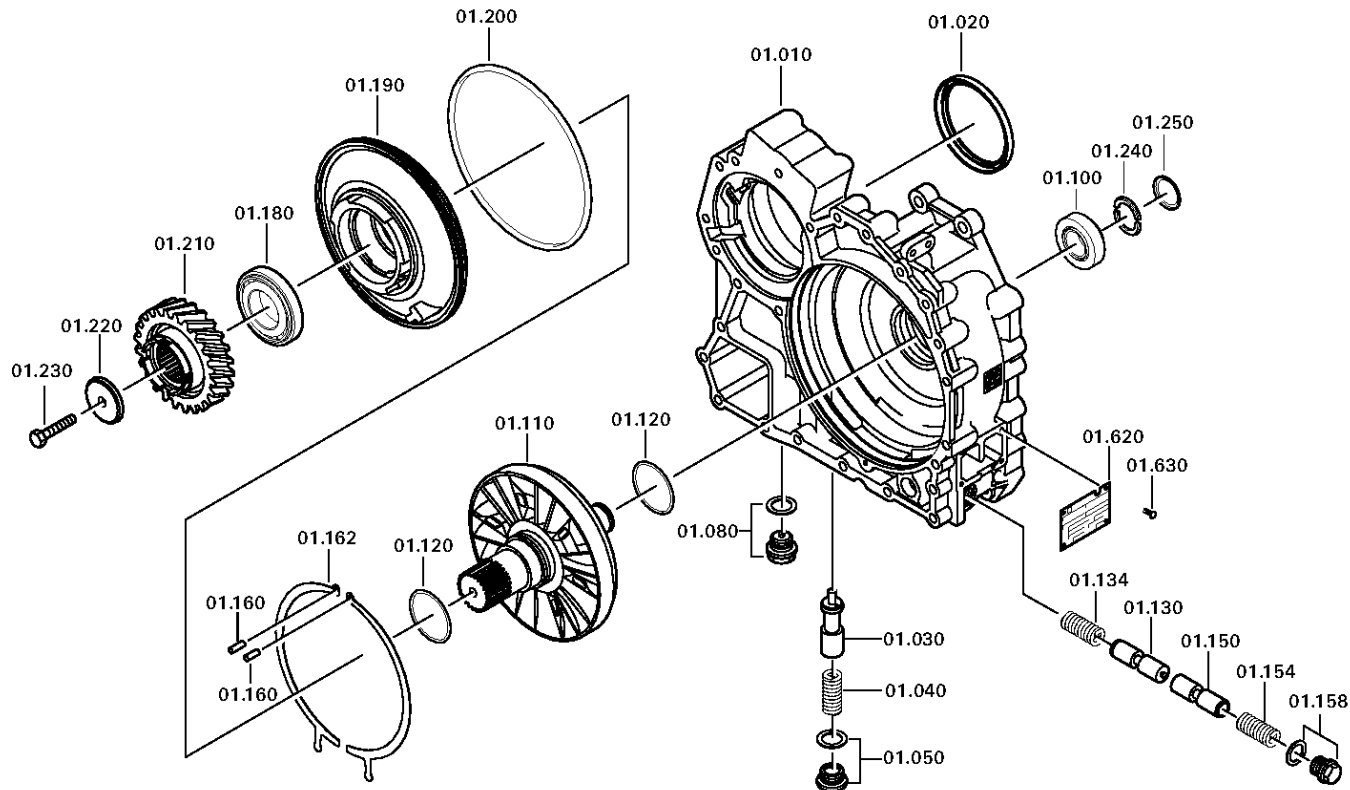
Material number: 6085.020.028

Picture: 078.01.11-1

Material-assembly-group-no: 6085.101.039



12 AS 2301 BO / ()
HOUSING



Picture

Page 1 from 3

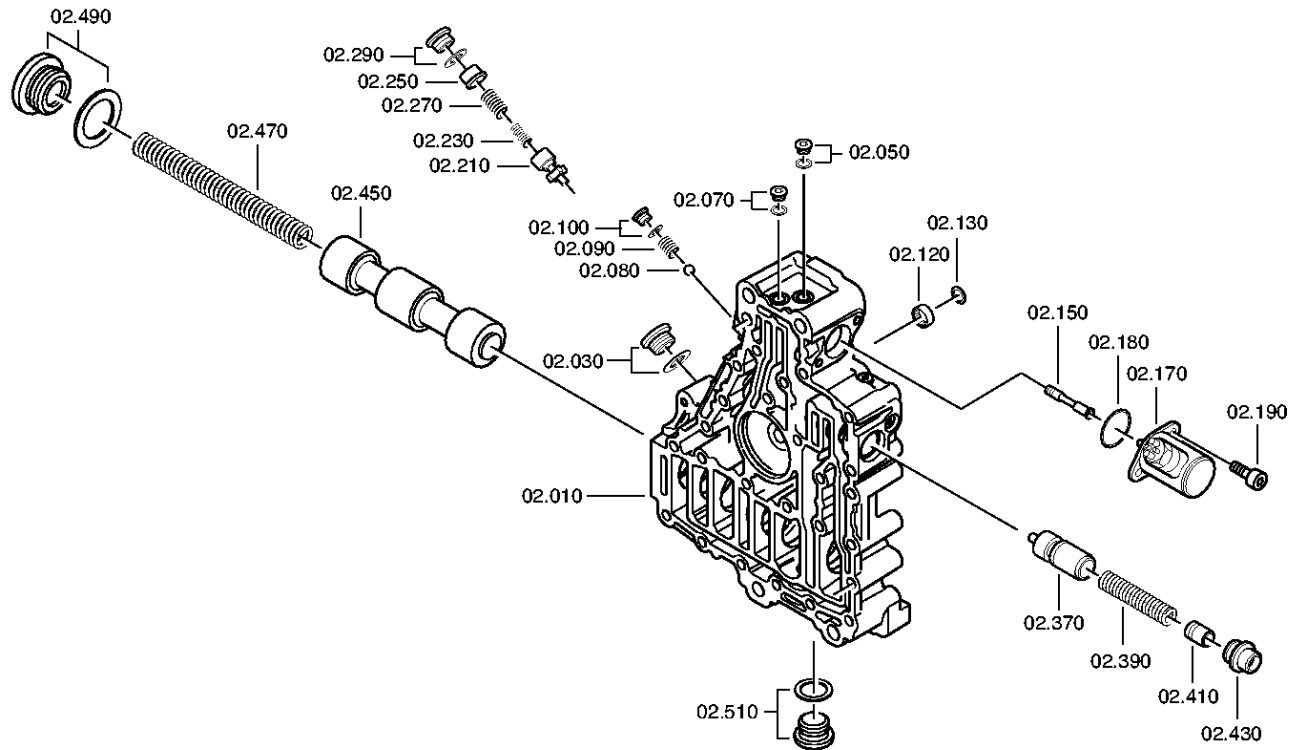
Material number: 6085.020.028

Picture: 078.02.03-1

CONTROL UNIT



12 AS 2301 BO / ()
CONTROL UNIT



Picture

Page 2 from 3

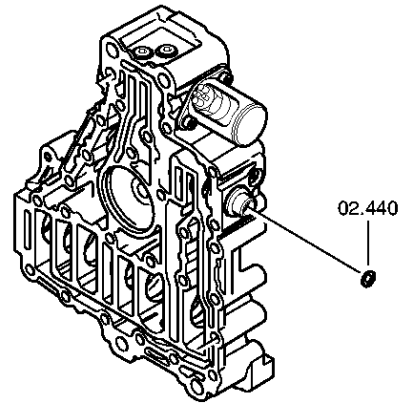
Material number: 6085.020.028

Picture: 078.02.79-1

CONTROL UNIT



12 AS 2301 BO / ()
CONTROL UNIT



Picture

Page 3 from 3

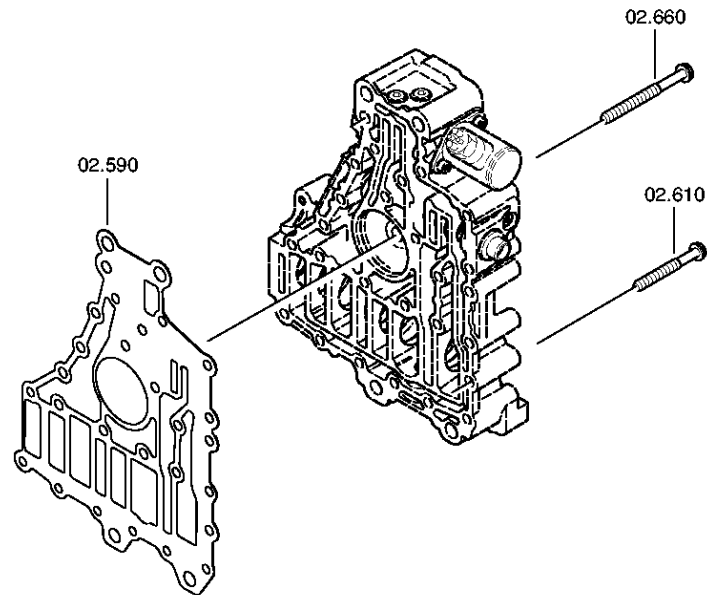
Material number: 6085.020.028

Picture: 078.02.83-1

CONTROL UNIT



12 AS 2301 BO / ()
CONTROL UNIT



Picture

Page 1 from 2

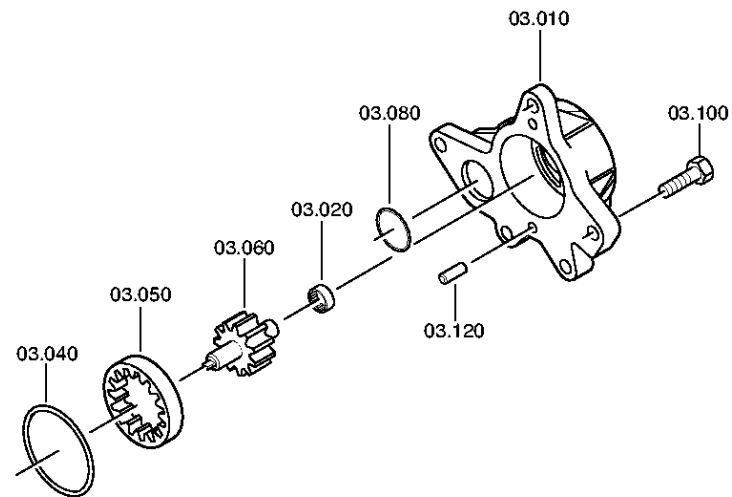
Material number: 6085.020.028

Picture: 078.03.01-1

PUMP



12 AS 2301 BO / ()
PUMP



Picture

Page 2 from 2

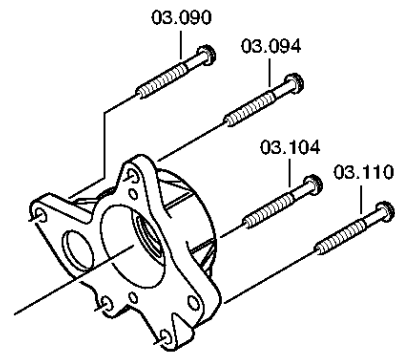
Material number: 6085.020.028

Picture: 078.03.80-1

PUMP



12 AS 2301 BO / ()
PUMP



Picture

Page 1 from 6

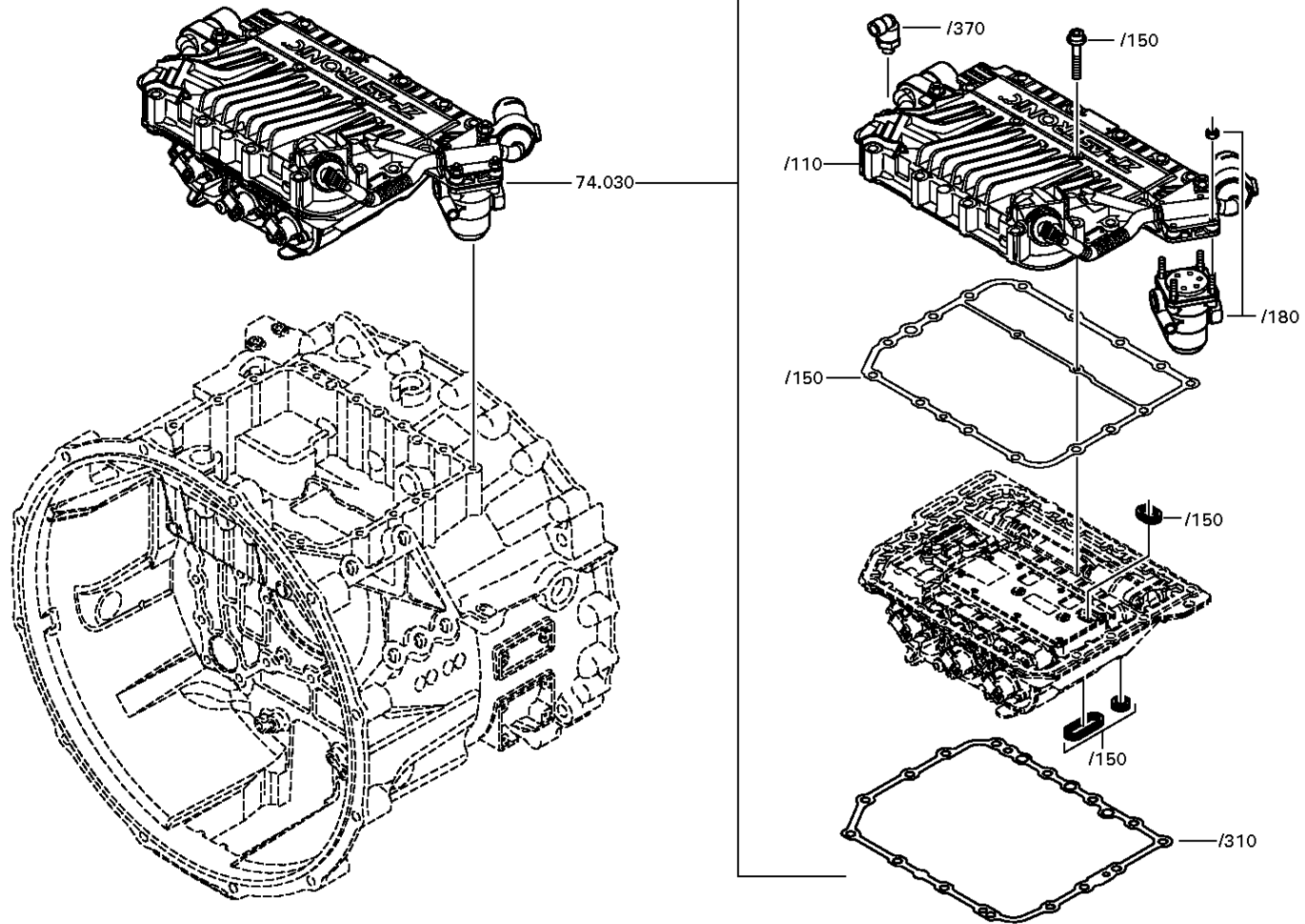
Material number: 6009.097.094

Picture: 106.36.06-1

TRANSMISSION ACTUATOR



12 AS 2301 BO / ()
TRANSMISSION ACTUATOR



Picture

Page 2 from 6

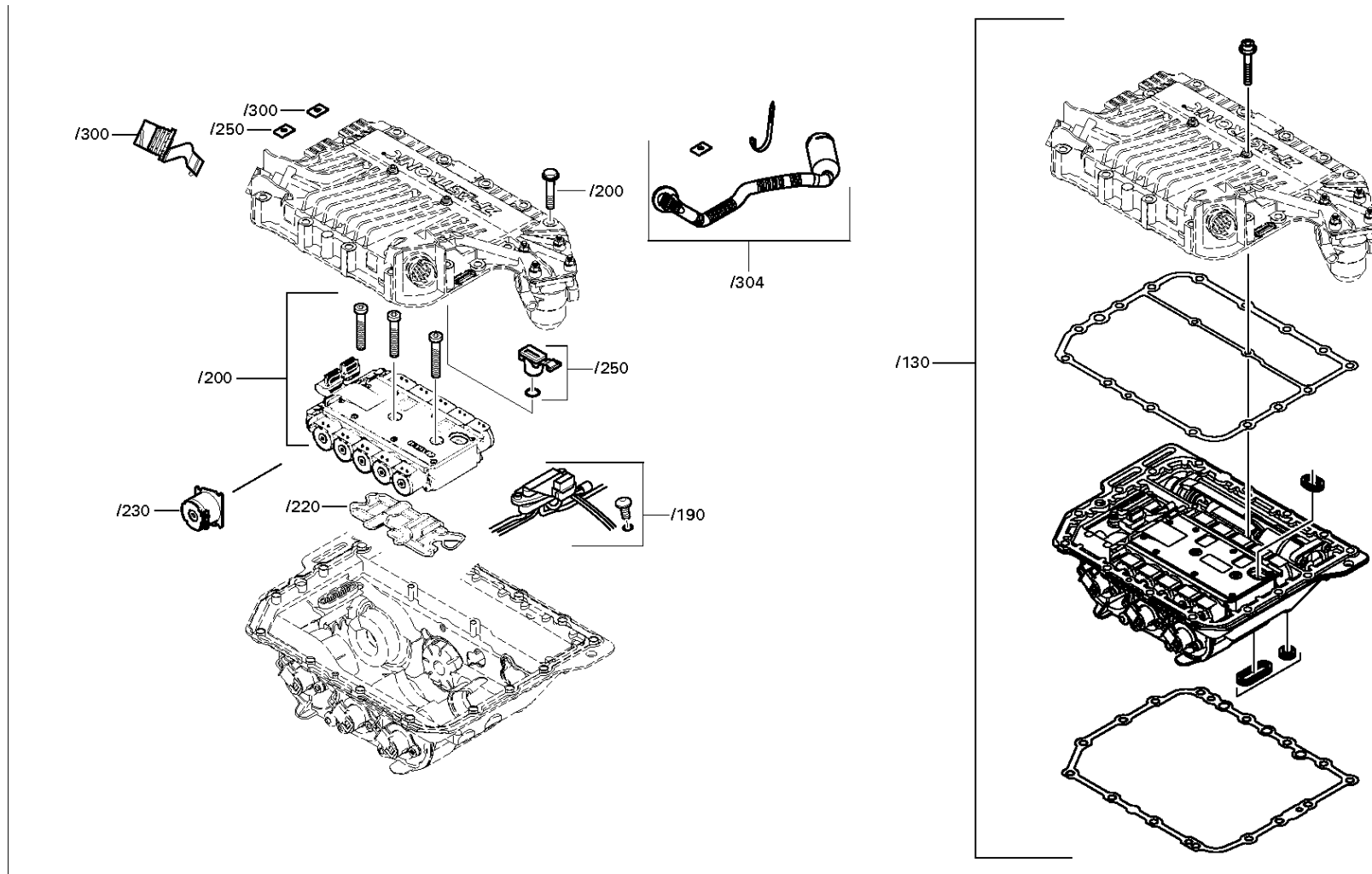
Material number: 6009.097.094

Picture: 106.36.06-2

TRANSMISSION ACTUATOR



12 AS 2301 BO / ()
TRANSMISSION ACTUATOR



Picture

Page 3 from 6

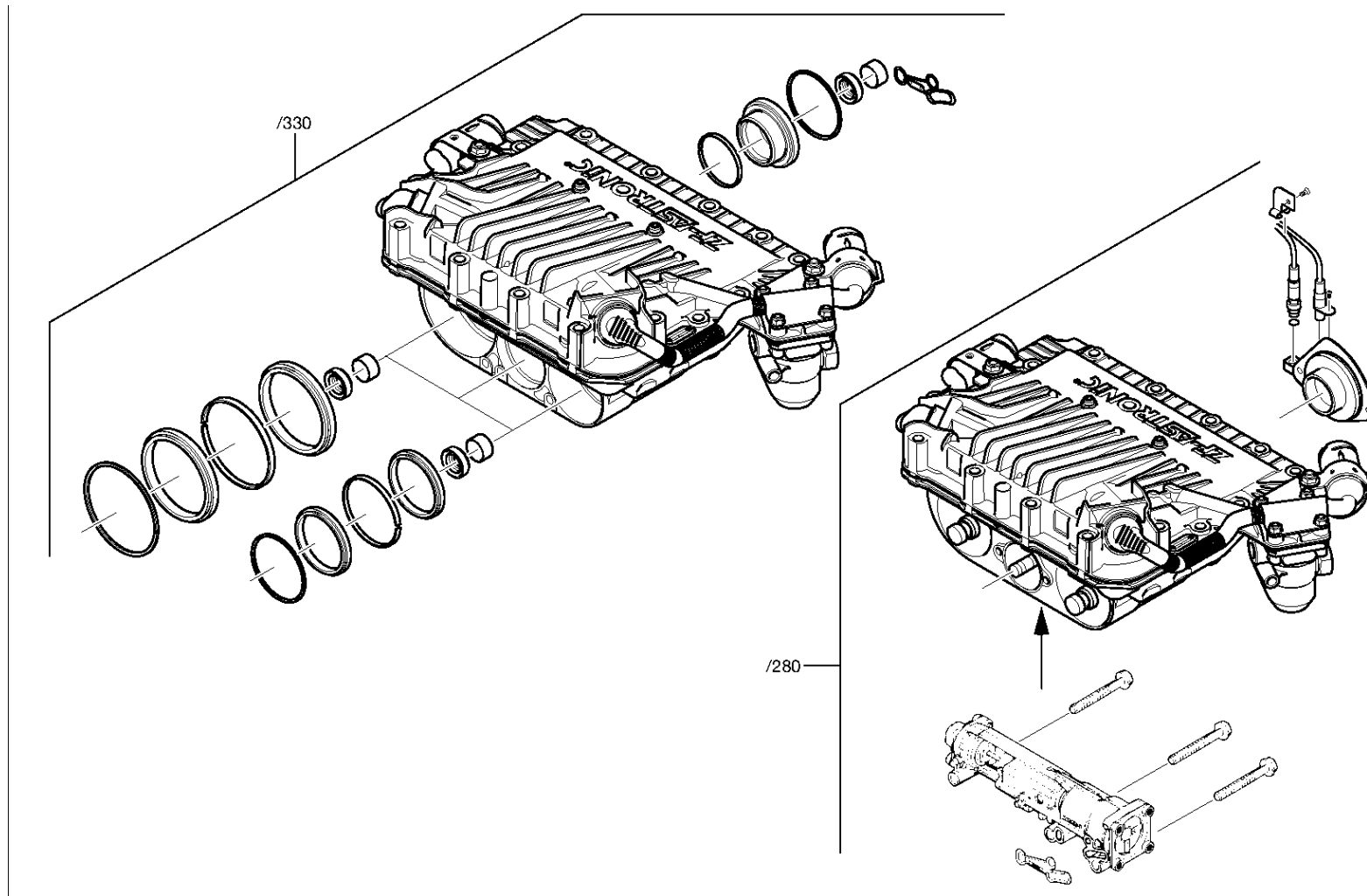
Material number: 6009.097.094

Picture: 106.36.06-3

TRANSMISSION ACTUATOR



12 AS 2301 BO / ()
TRANSMISSION ACTUATOR



Picture

Page 4 from 6

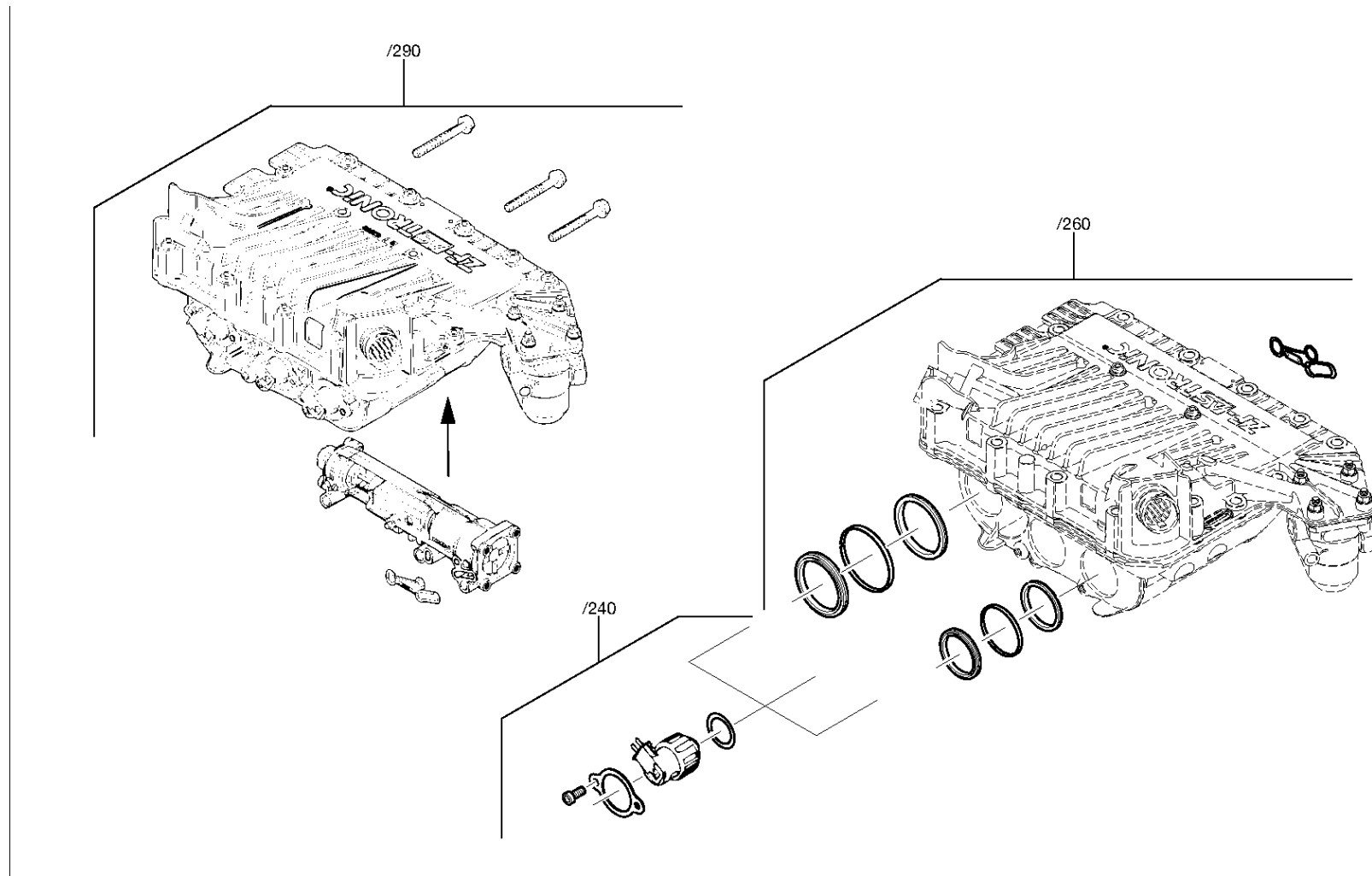
Material number: 6009.097.094

Picture: 106.36.06-4

TRANSMISSION ACTUATOR



12 AS 2301 BO / ()
TRANSMISSION ACTUATOR



Picture

Page 5 from 6

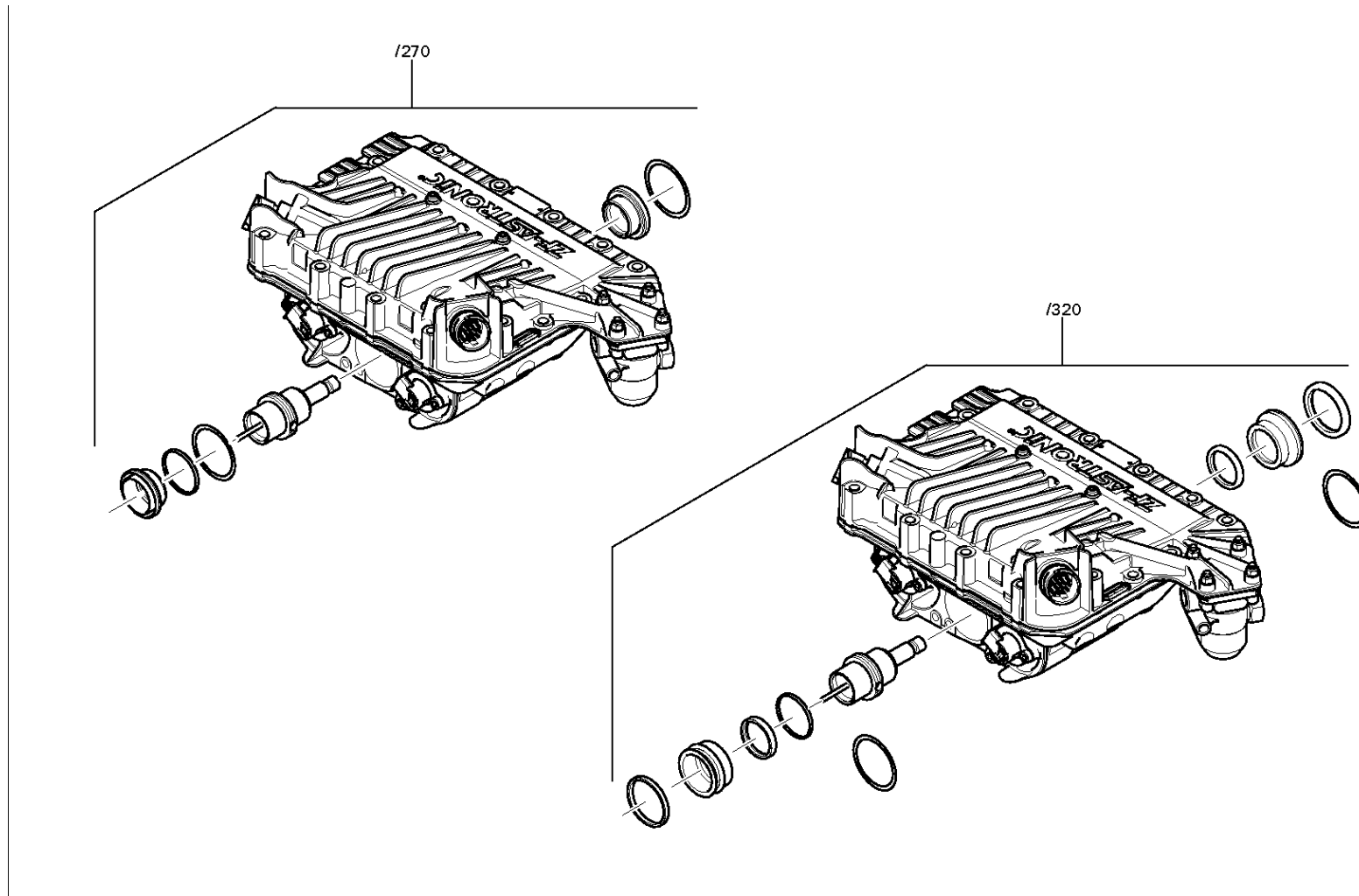
Material number: 6009.097.094

Picture: 106.36.06-5

TRANSMISSION ACTUATOR



12 AS 2301 BO / ()
TRANSMISSION ACTUATOR



Picture

Page 6 from 6

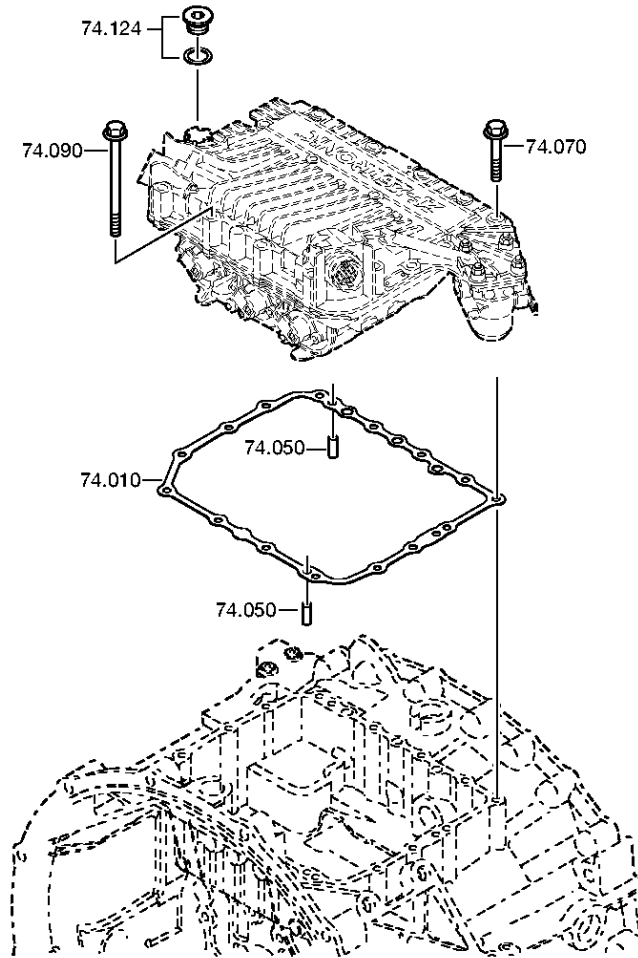
Material number: 6009.097.094

Picture: 106.36.85-1

TRANSMISSION ACTUATOR



12 AS 2301 BO / ()
TRANSMISSION ACTUATOR



Picture

Page 1 from 1

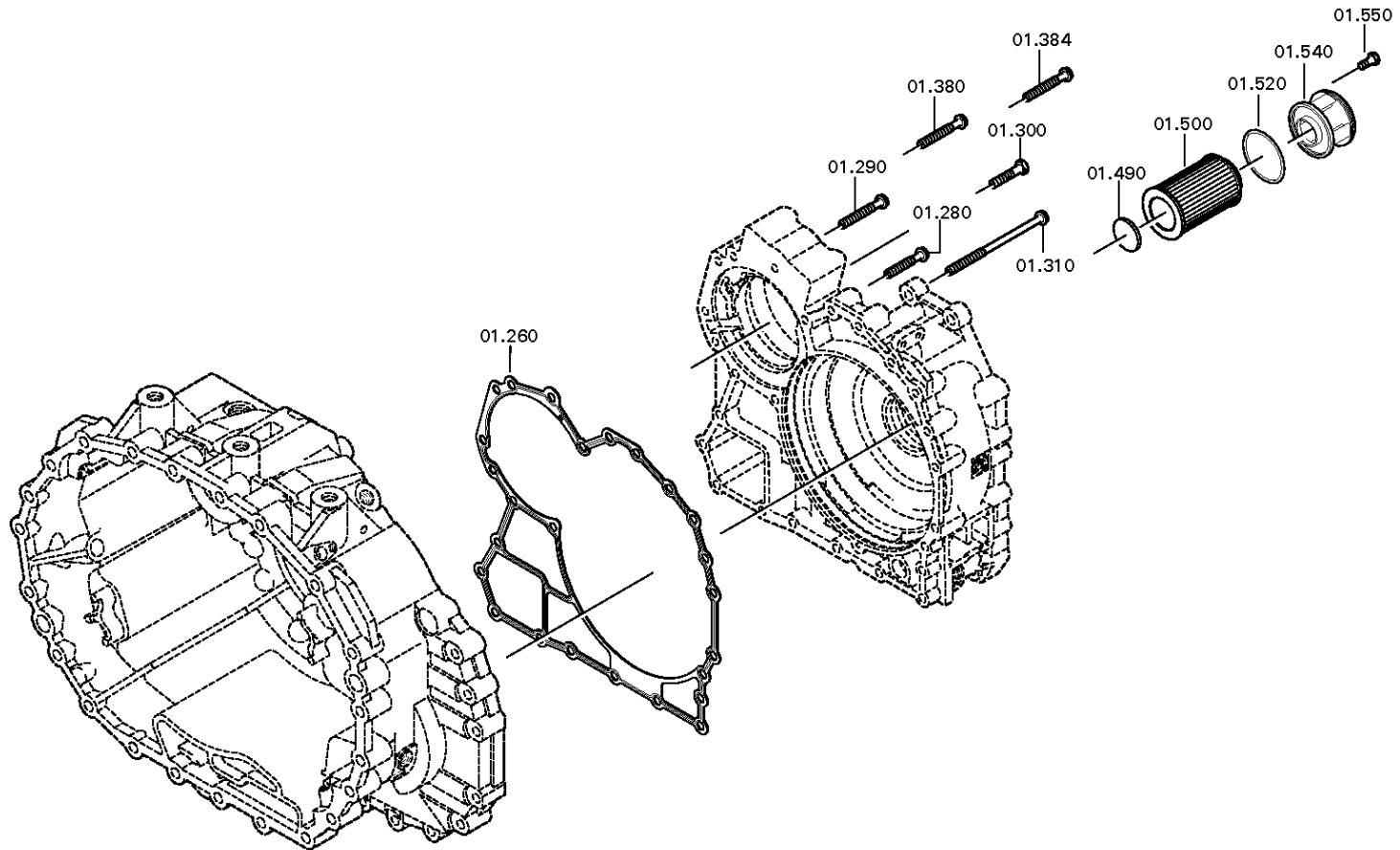
Material number: 6085.177.185

Picture: 078.01.84-1

Material-assembly-group-no: 6085.101.822



12 AS 2301 BO / ()
HOUSING



Picture

Page 1 from 1

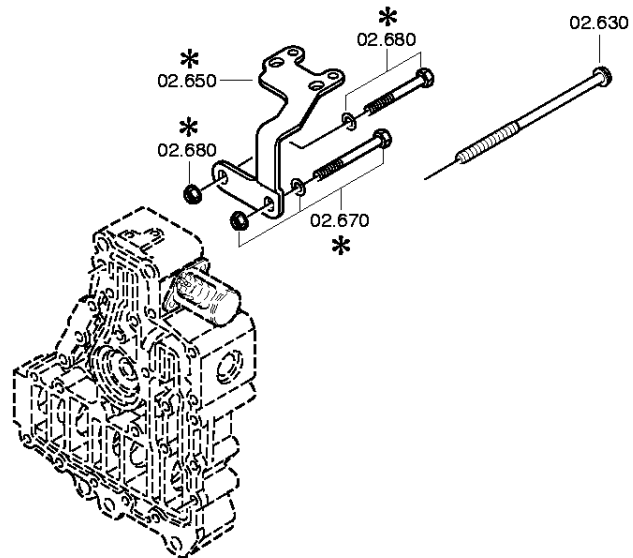
Material number: 6085.177.185

Picture: 078.02.80-1

Material-assembly-group-no: 6085.102.821



12 AS 2301 BO / ()
CONTROL UNIT



Picture

Page 1 from 3

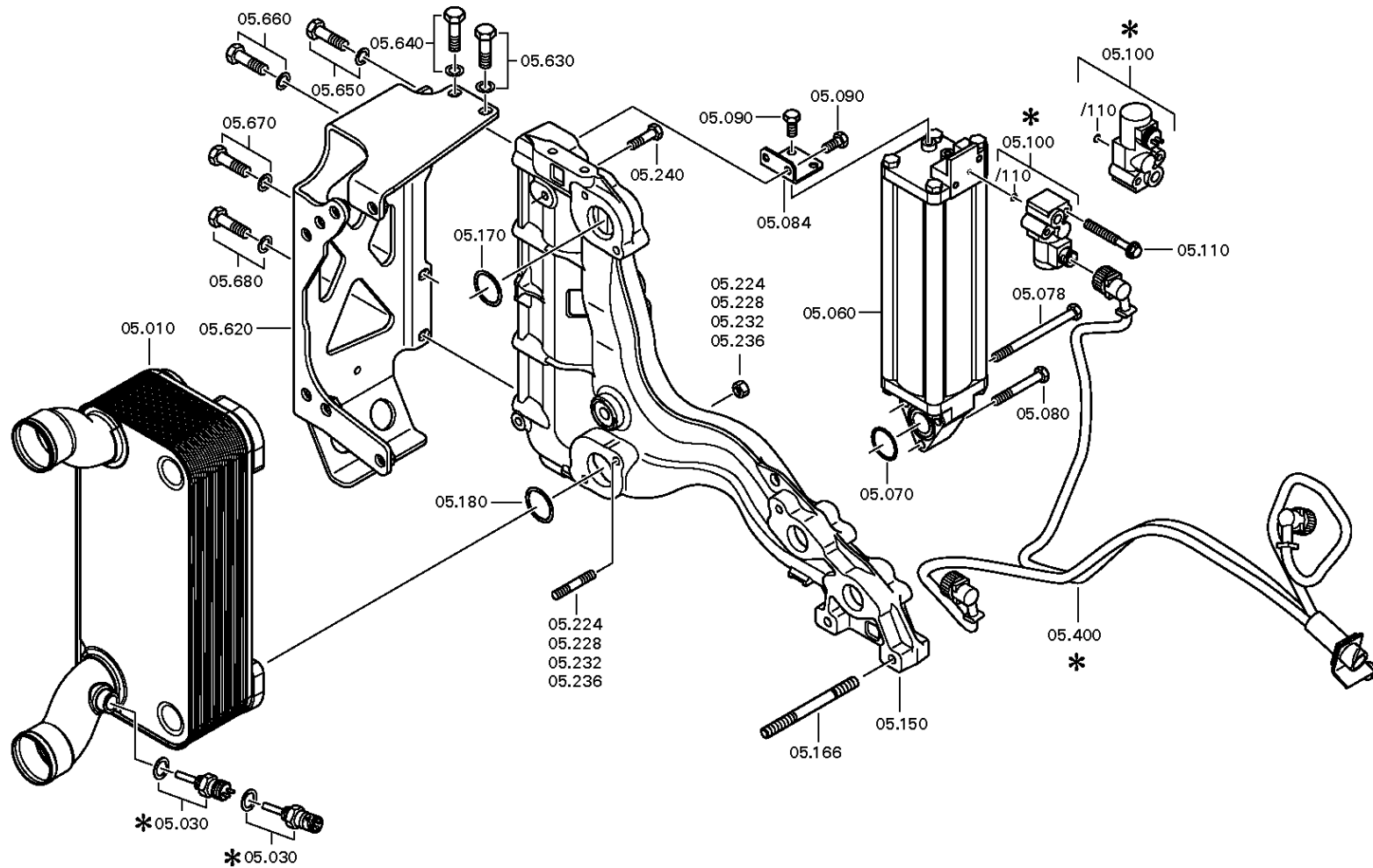
Material number: 6085.177.185

Picture: 078.05.10-1

HEAT EXCHANGER



12 AS 2301 BO / ()
HEAT EXCHANGER



Picture

Page 2 from 3

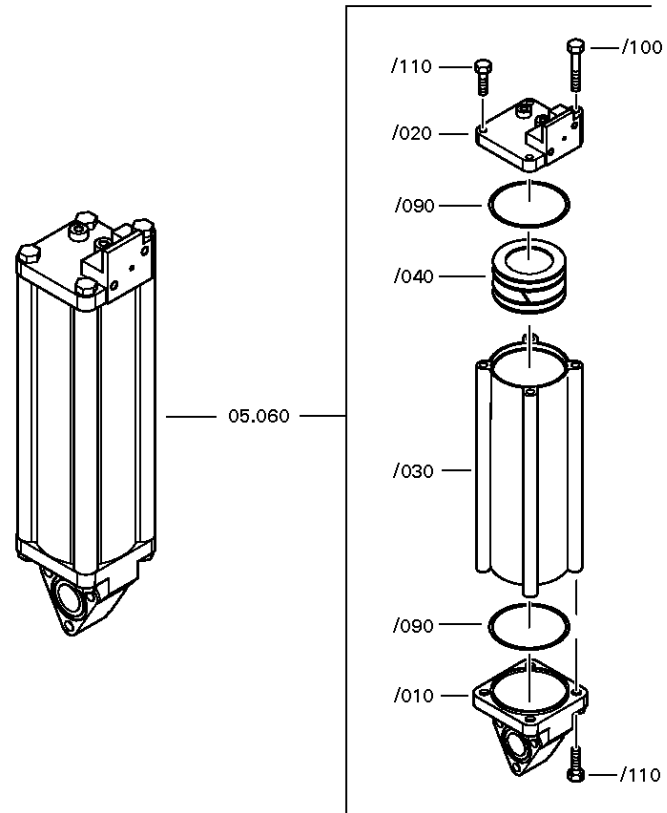
Material number: 6085.177.185

Picture: 078.05.10-2

HEAT EXCHANGER



12 AS 2301 BO / ()
HEAT EXCHANGER



Picture

Page 3 from 3

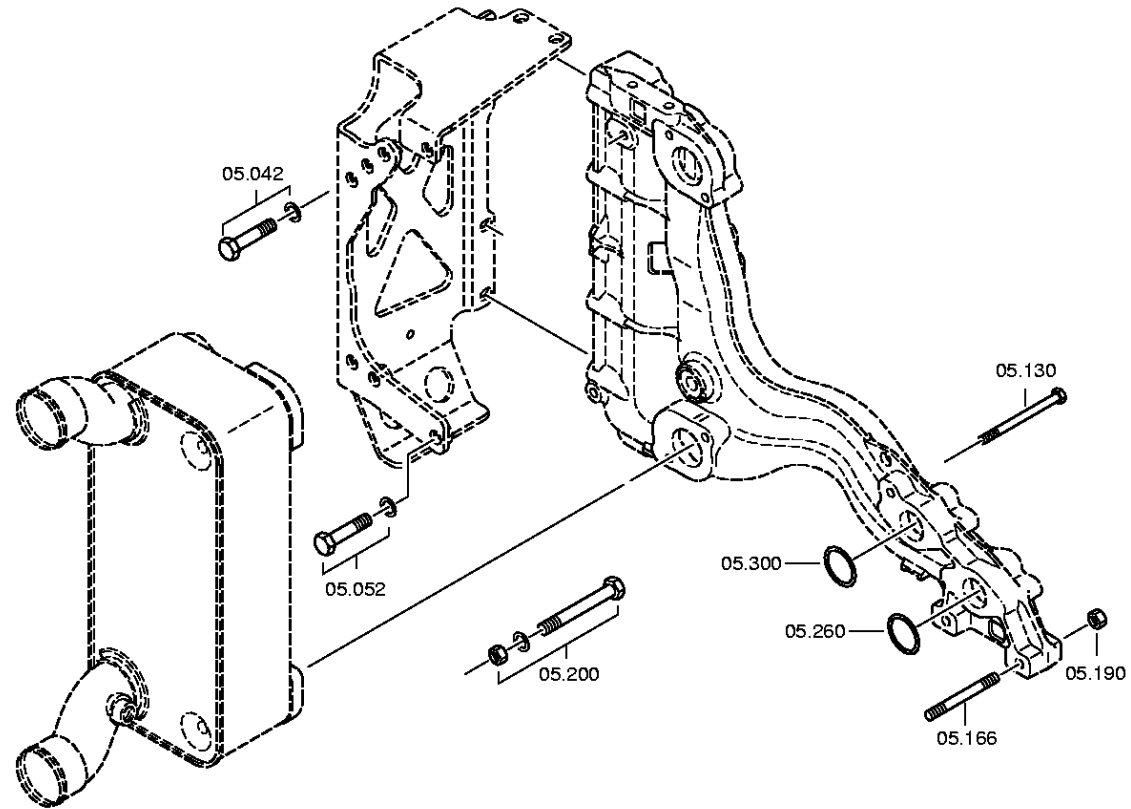
Material number: 6085.177.185

Picture: 078.05.80-1

HEAT EXCHANGER



12 AS 2301 BO / ()
HEAT EXCHANGER



Picture

Page 1 from 1

Material number: 6085.177.185

Picture: 078.08.04-1

Material-assembly-group-no: 6085.108.015



12 AS 2301 BO / ()
OUTPUT

