



# Spare Parts Catalog

6 AP 1400 B

()

Material number: 4181.040.009

Current date: 10.03.2026

ZF Friedrichshafen AG  
Hauptverwaltung  
80038 Friedrichshafen  
Deutschland

Telefon: +49 7541 77-0

Telefax: +49 7541 77-908000

[www.zf.com](http://www.zf.com)

zuständiges Werk:  
Friedrichshafen

# Picture

Page 1 from 1

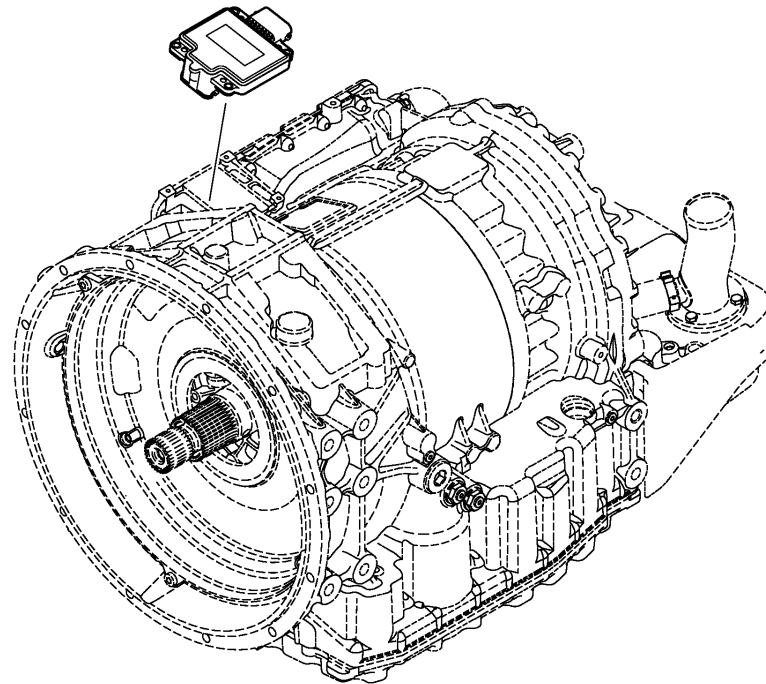
Material number: 4181.040.009

Picture: 130.C2.002-1

Material-assembly-group-no: 6070.003.003



6 AP 1400 B / ()  
EST ECOLIFE



# Picture

Page 1 from 1

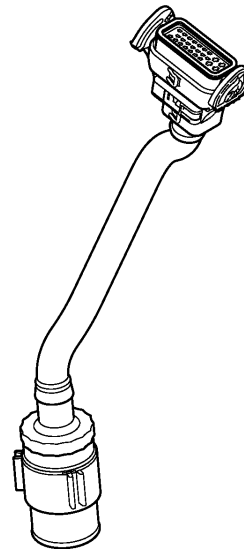
Material number: 4181.040.009

Picture: 130.C3.003-1

Material-assembly-group-no: 6029.039.124



6 AP 1400 B / ()  
CABLE ECOLIFE



# Picture

Page 1 from 4

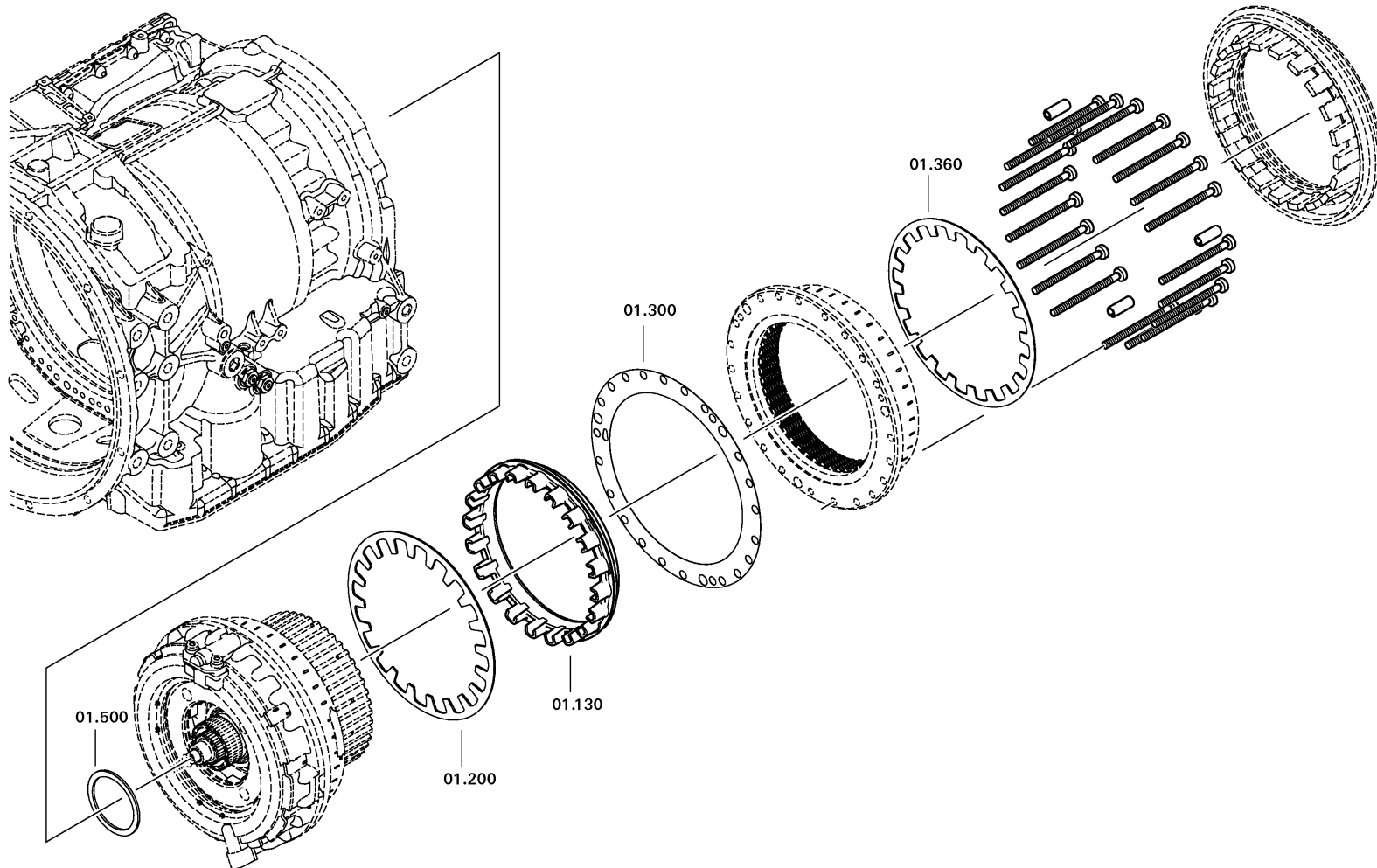
Material number: 4181.040.009

Picture: 130.001.002-1

Material-assembly-group-no: 4181.100.023



6 AP 1400 B / ()  
BASIC GEARBOX



# Picture

Page 2 from 4

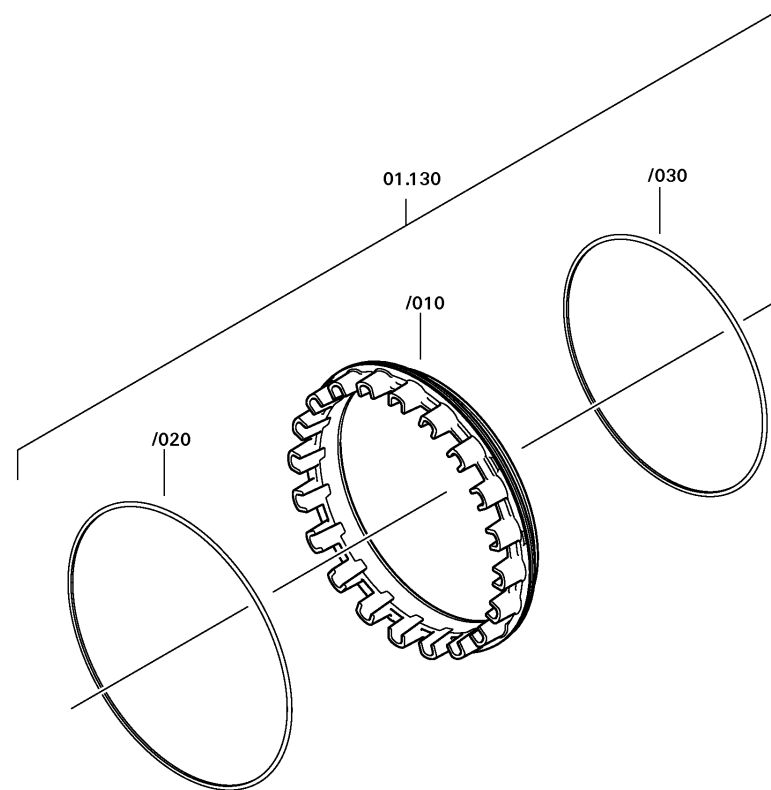
Material number: 4181.040.009

Picture: 130.001.002-2

Material-assembly-group-no: 4181.100.023



6 AP 1400 B / ()  
BASIC GEARBOX



# Picture

Page 3 from 4

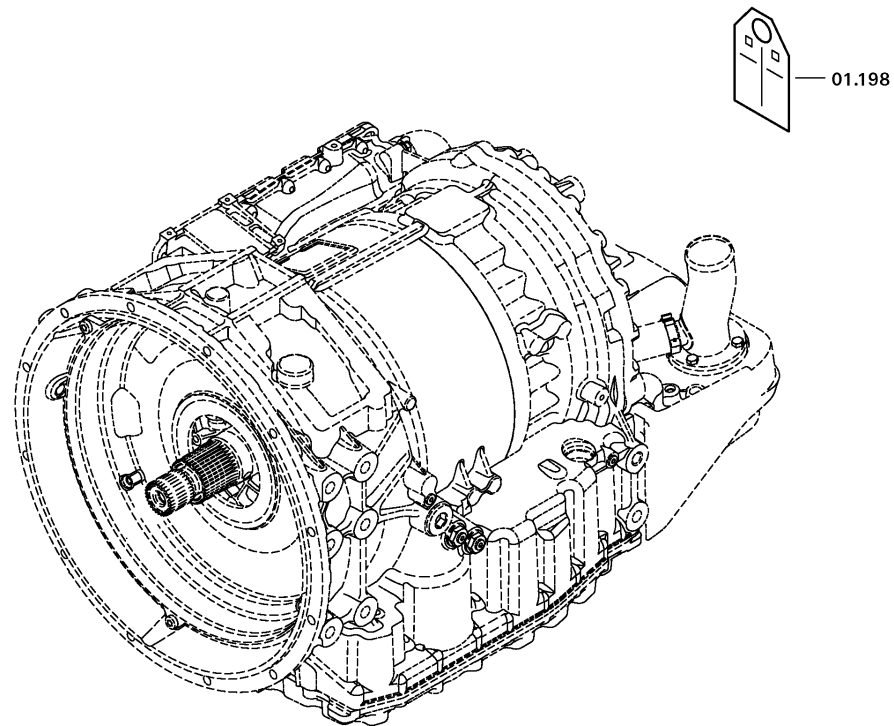
Material number: 4181.040.009

Picture: 130.001.082-1

Material-assembly-group-no: 4181.100.023



6 AP 1400 B / ()  
BASIC GEARBOX



# Picture

Page 4 from 4

Material number: 4181.040.009

Picture: 225.001.090-1

Material-assembly-group-no: 4181.100.023



6 AP 1400 B / ( )  
BASIC GEARBOX

01.112  
01.120

ZF FRIEDRICHSHAFEN AG MADE IN GERMANY	
PARTS LIST NO.	MODEL
SERIAL NO.	DMC
CUSTOMER	
SPEC. NO.	
TOTAL RATIO	SPEEDO RATIO
CO <sub>2</sub>	e1
OIL CAPACITY IN LITERS	OIL GRADE SEE LUBRIC. LIST ITEM

# Picture

Page 1 from 1

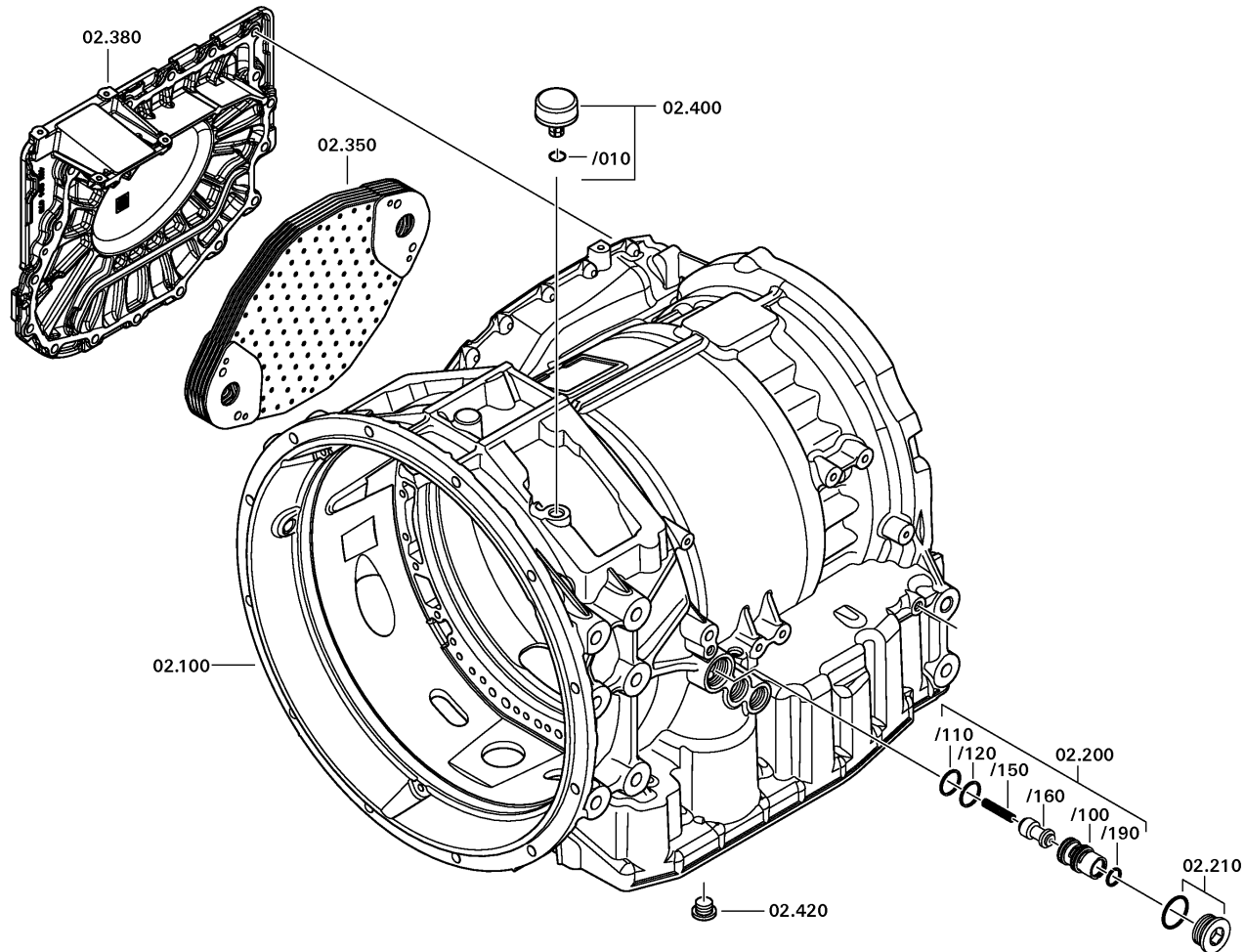
Material number: 4181.040.009

Picture: 130.002.001-1

Material-assembly-group-no: 4181.102.028



6 AP 1400 B / ()  
TRANSMISSION HOUSING



# Picture

Page 1 from 3

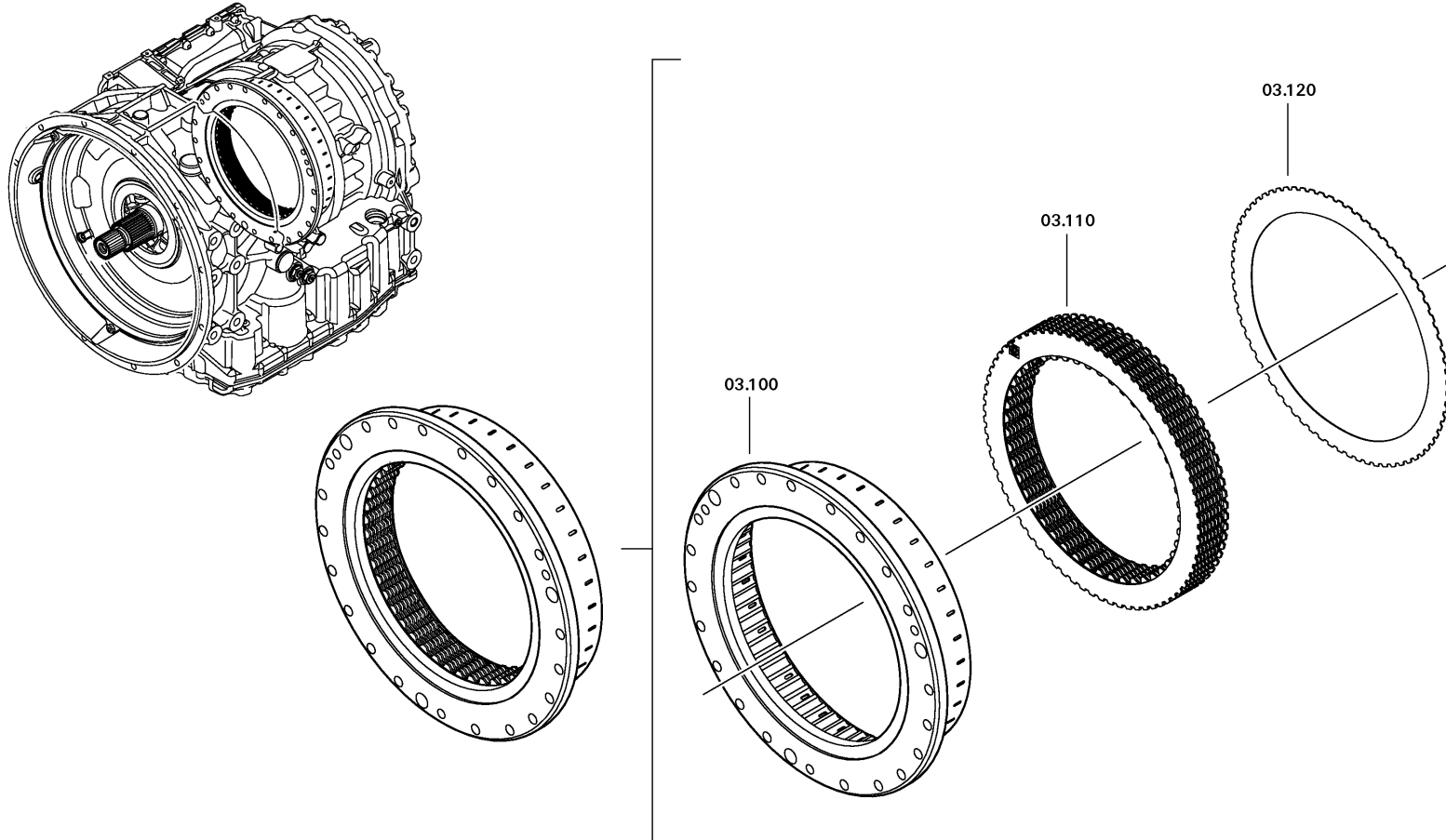
Material number: 4181.040.009

Picture: 130.003.003-1

Material-assembly-group-no: 4181.103.005



6 AP 1400 B / ()  
BRAKE F



# Picture

Page 2 from 3

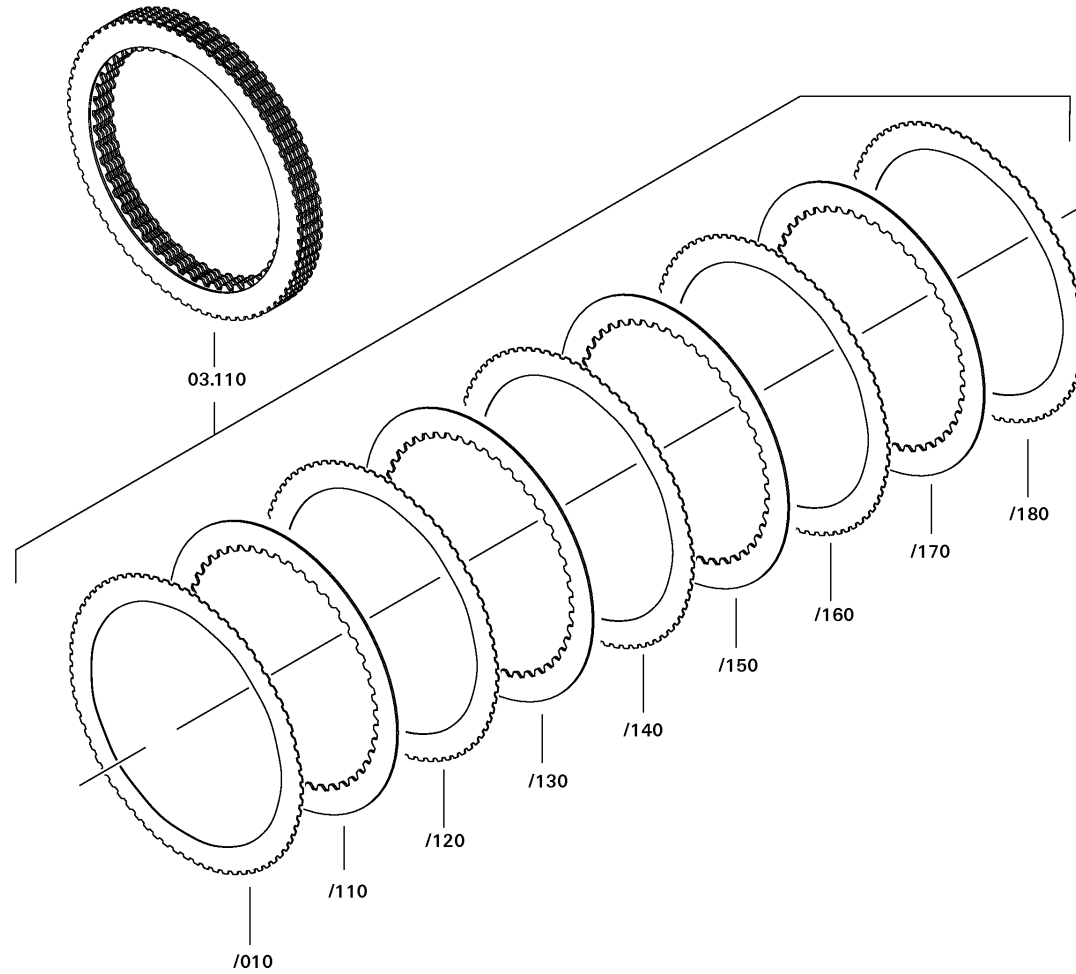
Material number: 4181.040.009

Picture: 130.003.003-2

Material-assembly-group-no: 4181.103.005



6 AP 1400 B / ()  
BRAKE F



# Picture

Page 3 from 3

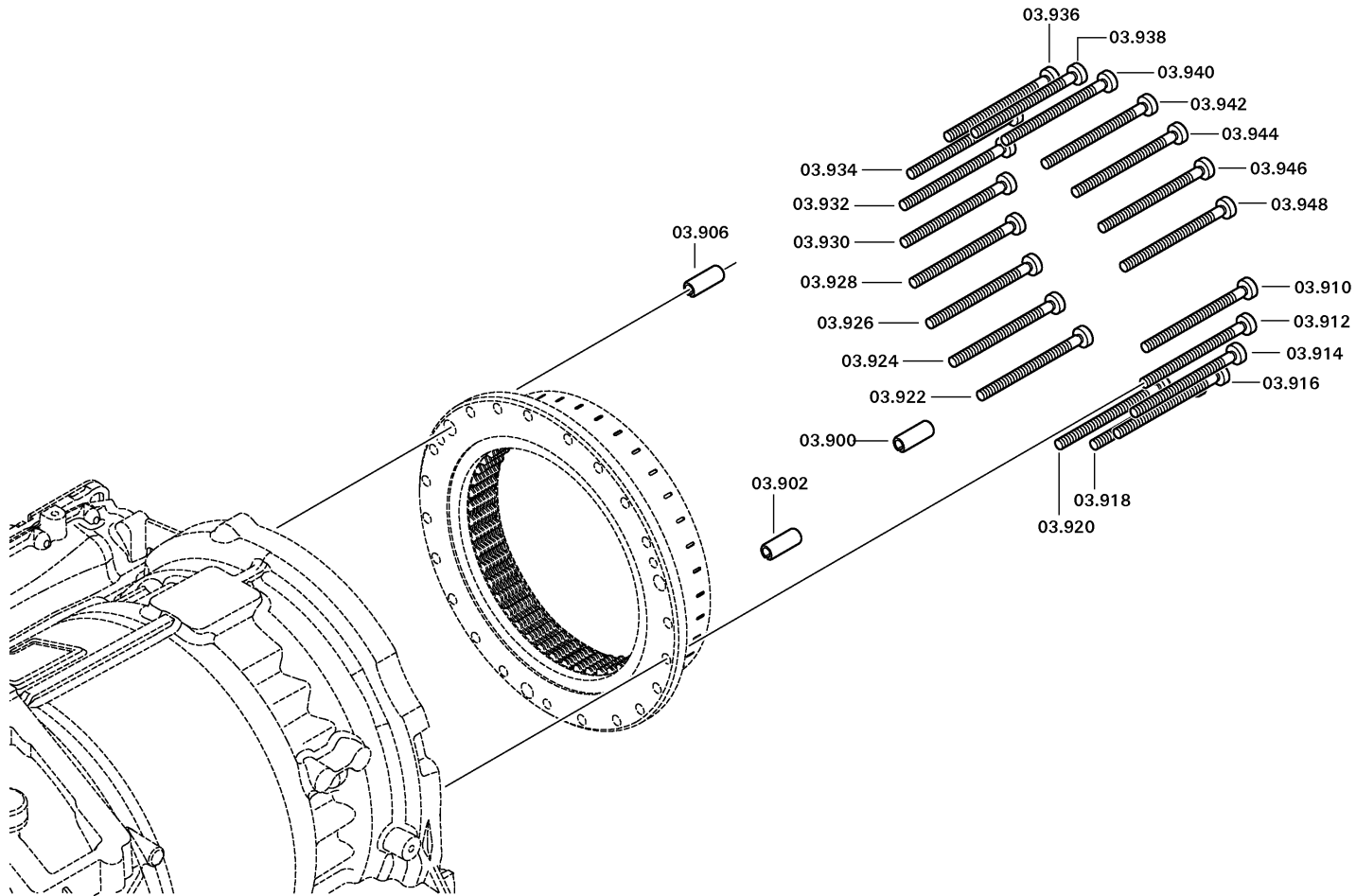
Material number: 4181.040.009

Picture: 130.003.080-1

Material-assembly-group-no: 4181.103.005



6 AP 1400 B / ()  
BRAKE F



# Picture

Page 1 from 1

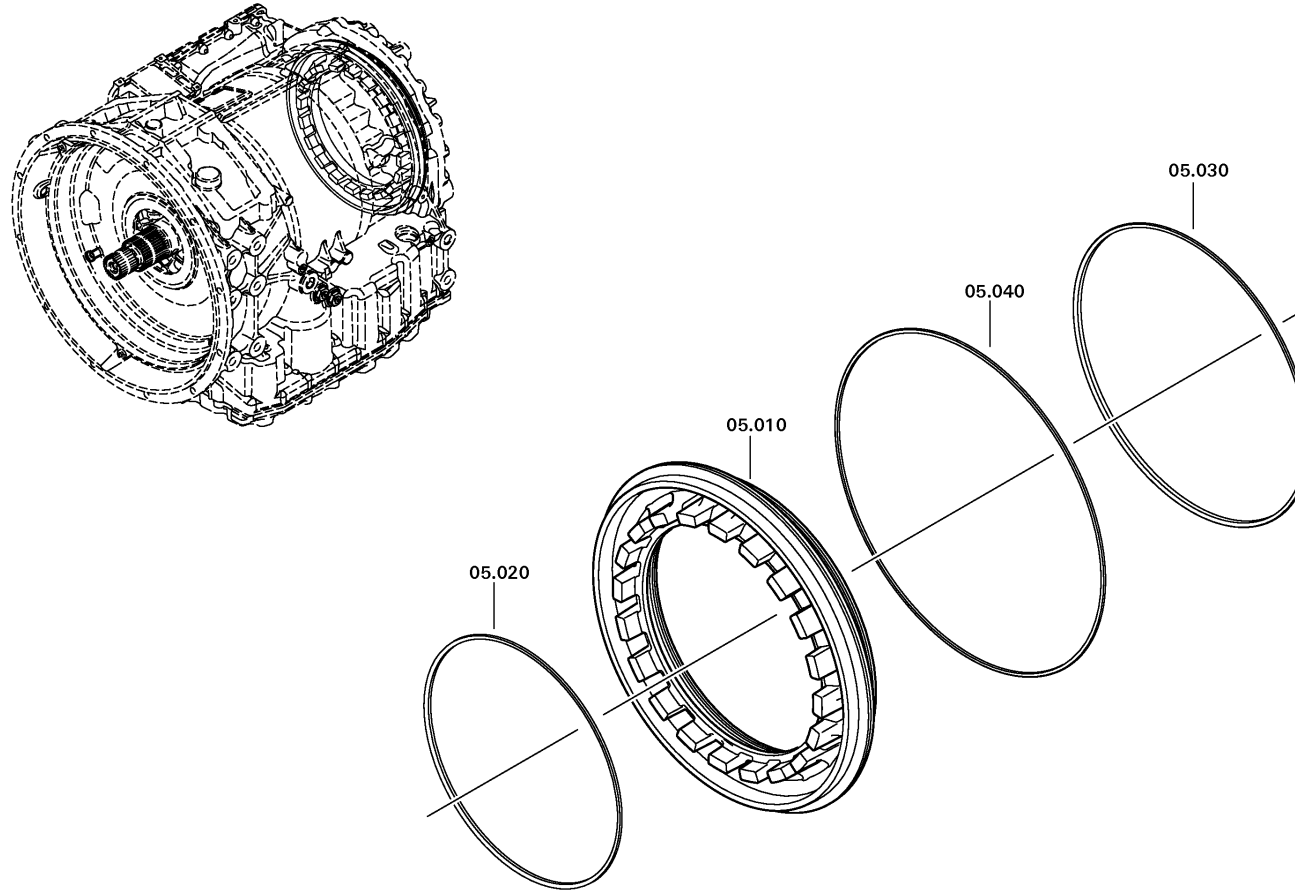
Material number: 4181.040.009

Picture: 130.005.001-1

Material-assembly-group-no: 4181.212.009



6 AP 1400 B / ()  
PISTON



# Picture

Page 1 from 3

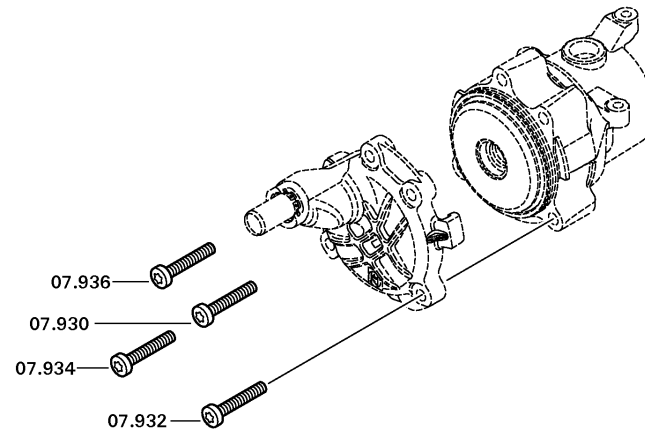
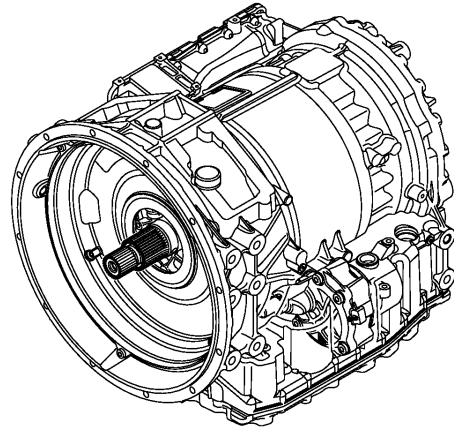
Material number: 4181.040.009

Picture: 130.007.050-1

Material-assembly-group-no: 4181.107.801



6 AP 1400 B / ()  
COVER



# Picture

Page 2 from 3

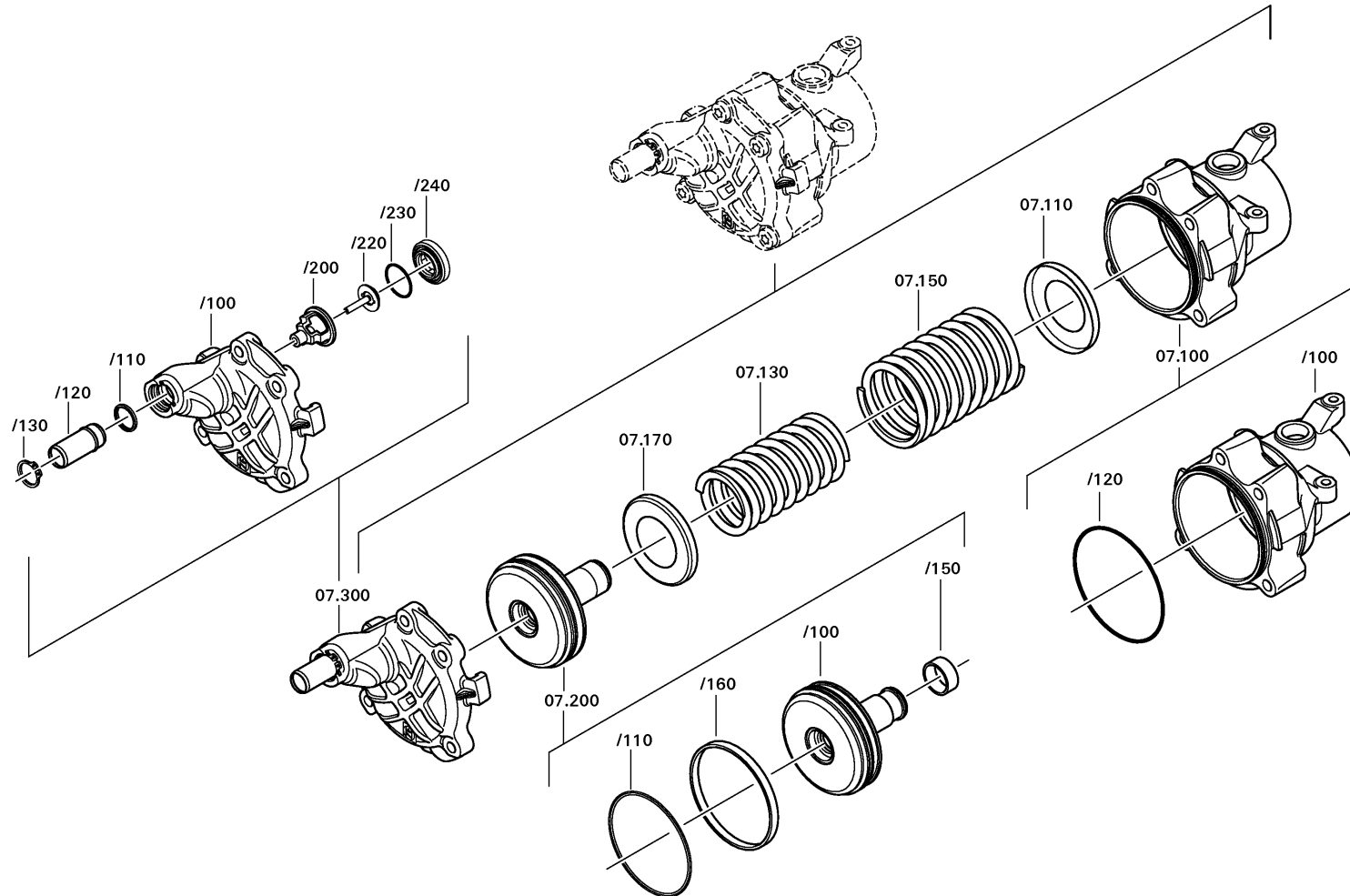
Material number: 4181.040.009

Picture: 130.007.001-1

Material-assembly-group-no: 4181.107.801



6 AP 1400 B / ()  
COVER



# Picture

Page 3 from 3

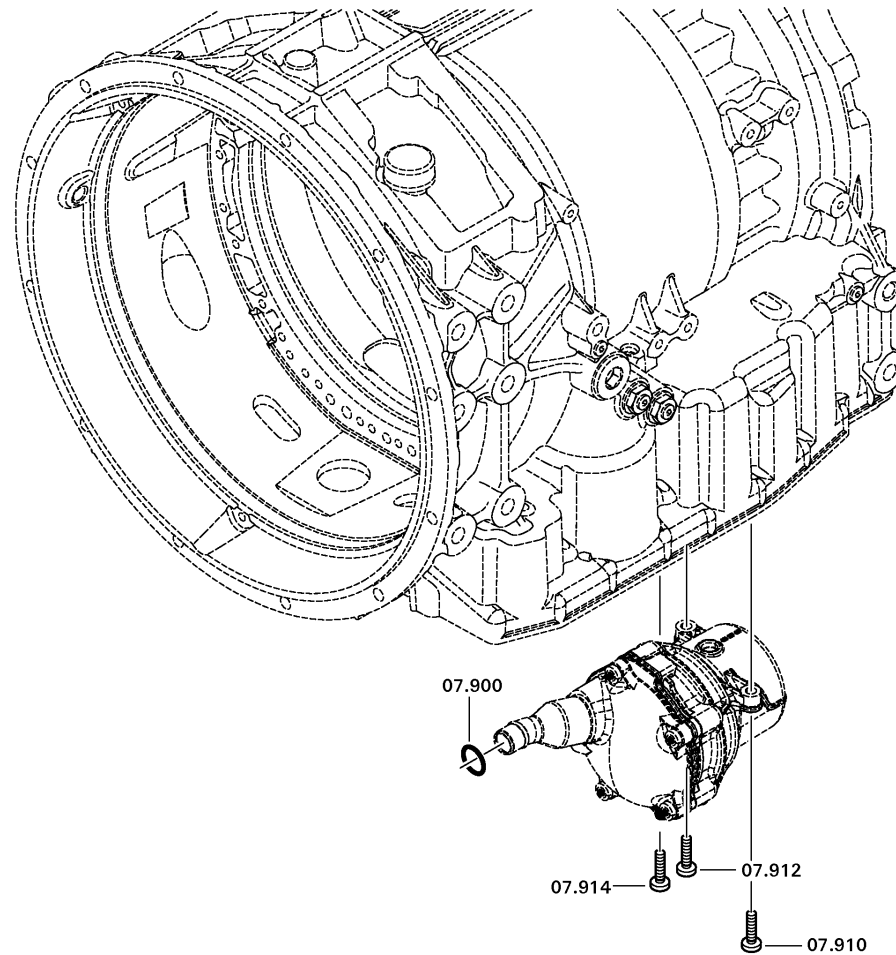
Material number: 4181.040.009

Picture: 130.007.080-1

Material-assembly-group-no: 4181.107.801



6 AP 1400 B / ()  
COVER



# Picture

Page 1 from 2

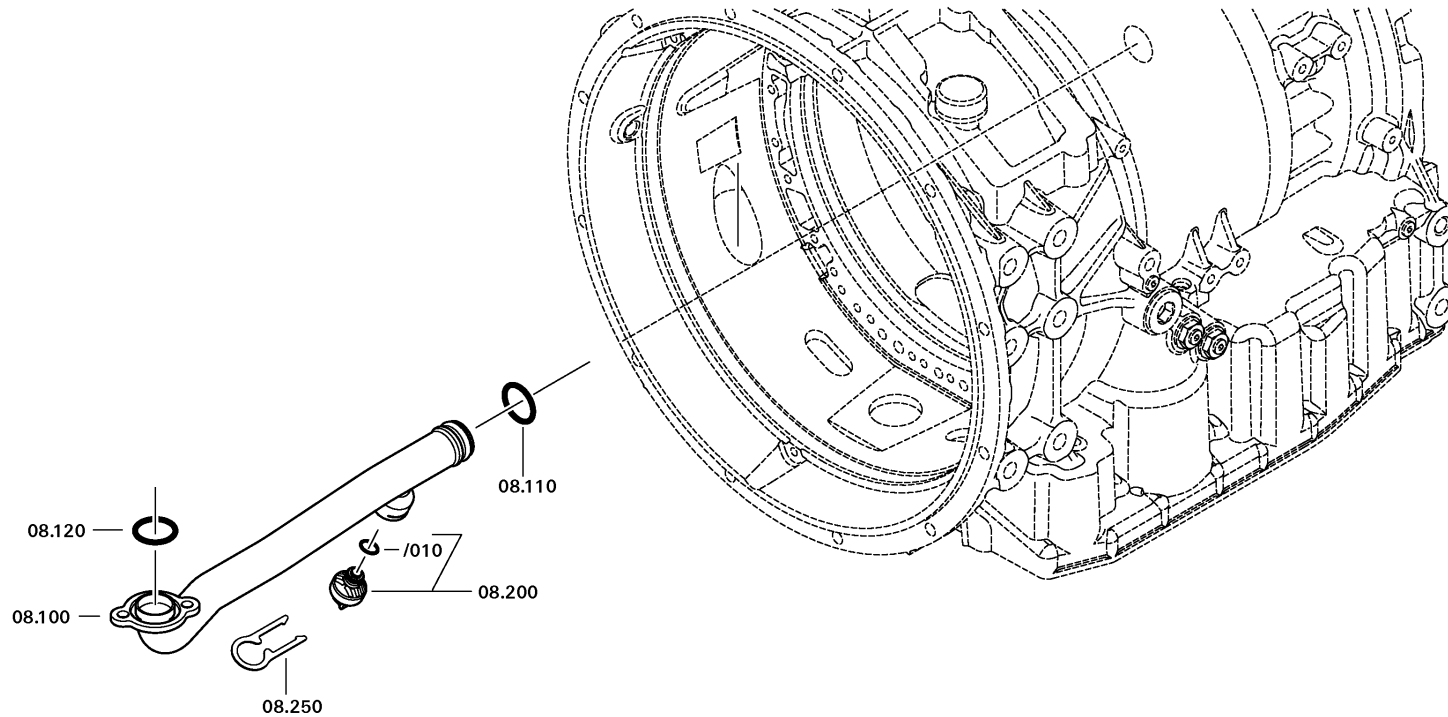
Material number: 4181.040.009

Picture: 130.008.001

Material-assembly-group-no: 4181.108.007



6 AP 1400 B / ()  
OIL TUBE



# Picture

Page 2 from 2

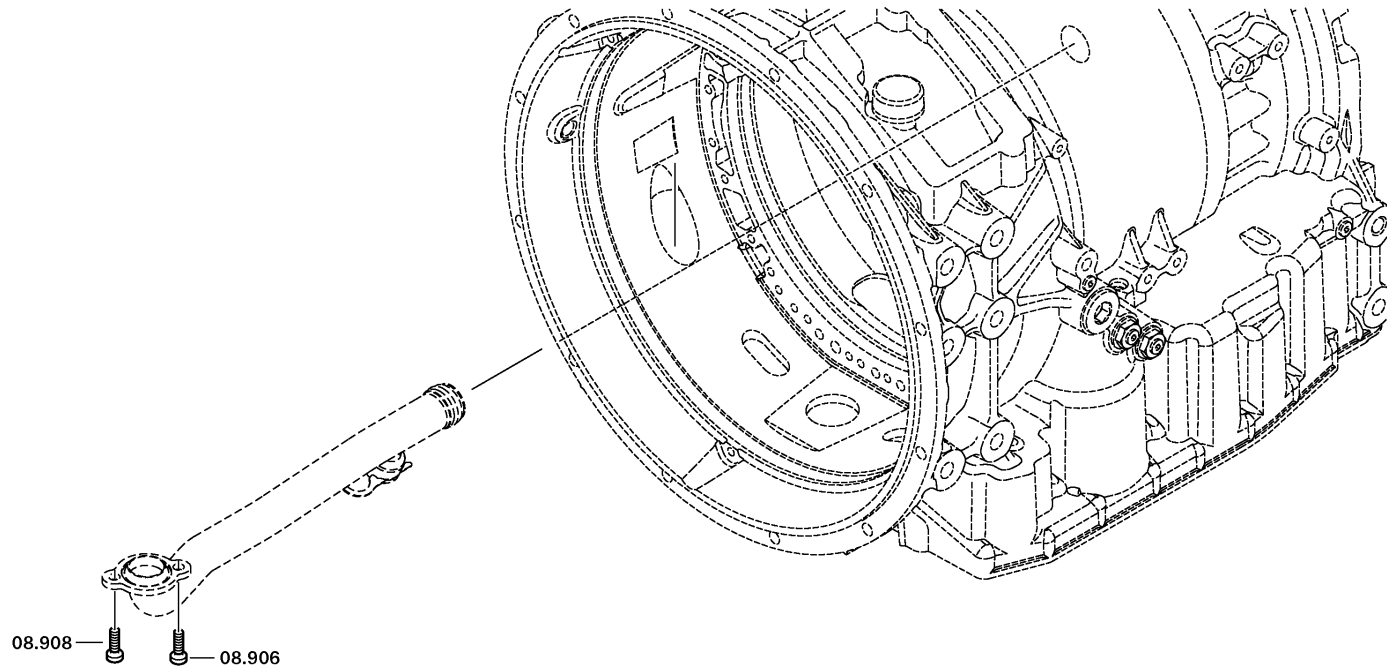
Material number: 4181.040.009

Picture: 130.008.080-1

Material-assembly-group-no: 4181.108.007



6 AP 1400 B / ()  
OIL TUBE



# Picture

Page 1 from 2

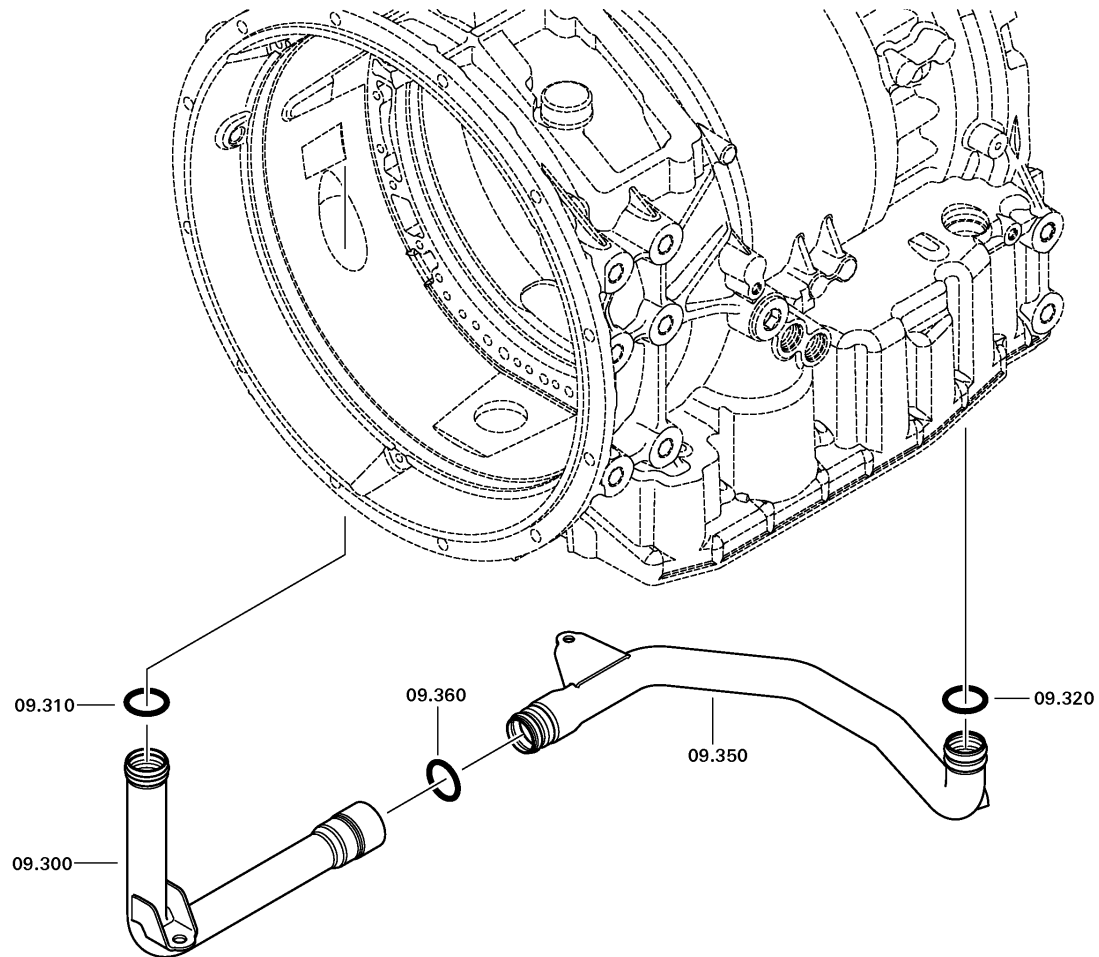
Material number: 4181.040.009

Picture: 130.009.001-1

Material-assembly-group-no: 4181.108.009



6 AP 1400 B / ()  
OIL TUBE



# Picture

Page 2 from 2

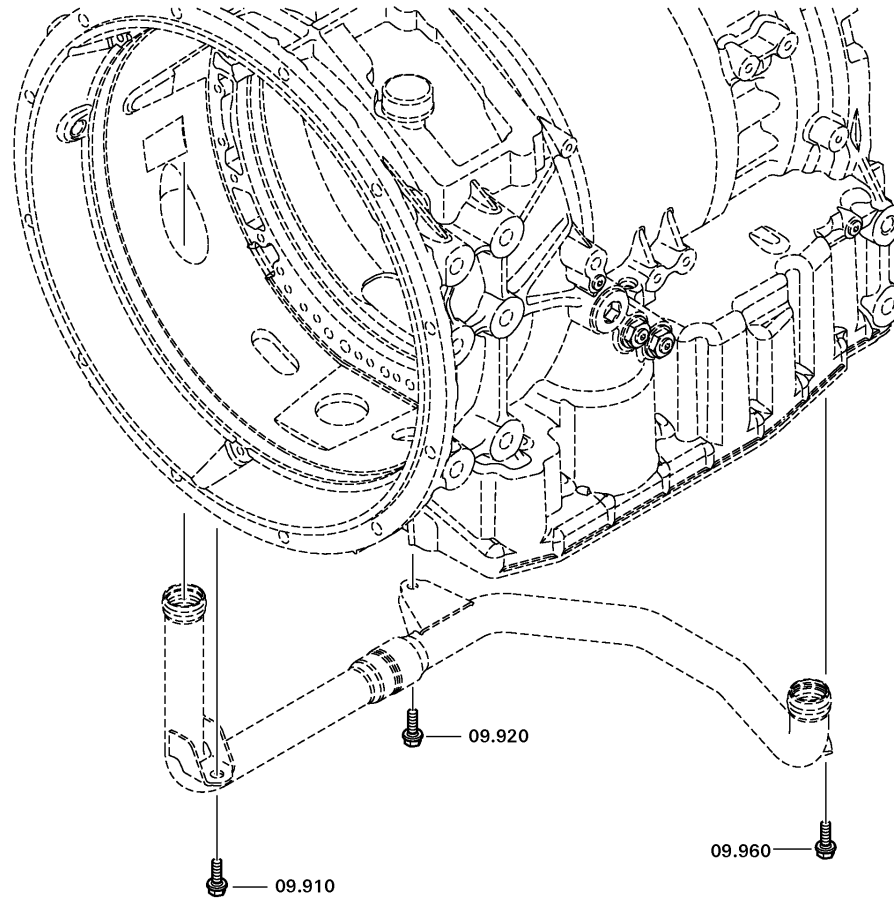
Material number: 4181.040.009

Picture: 130.009.080-1

Material-assembly-group-no: 4181.108.009



6 AP 1400 B / ()  
OIL TUBE



# Picture

Page 1 from 3

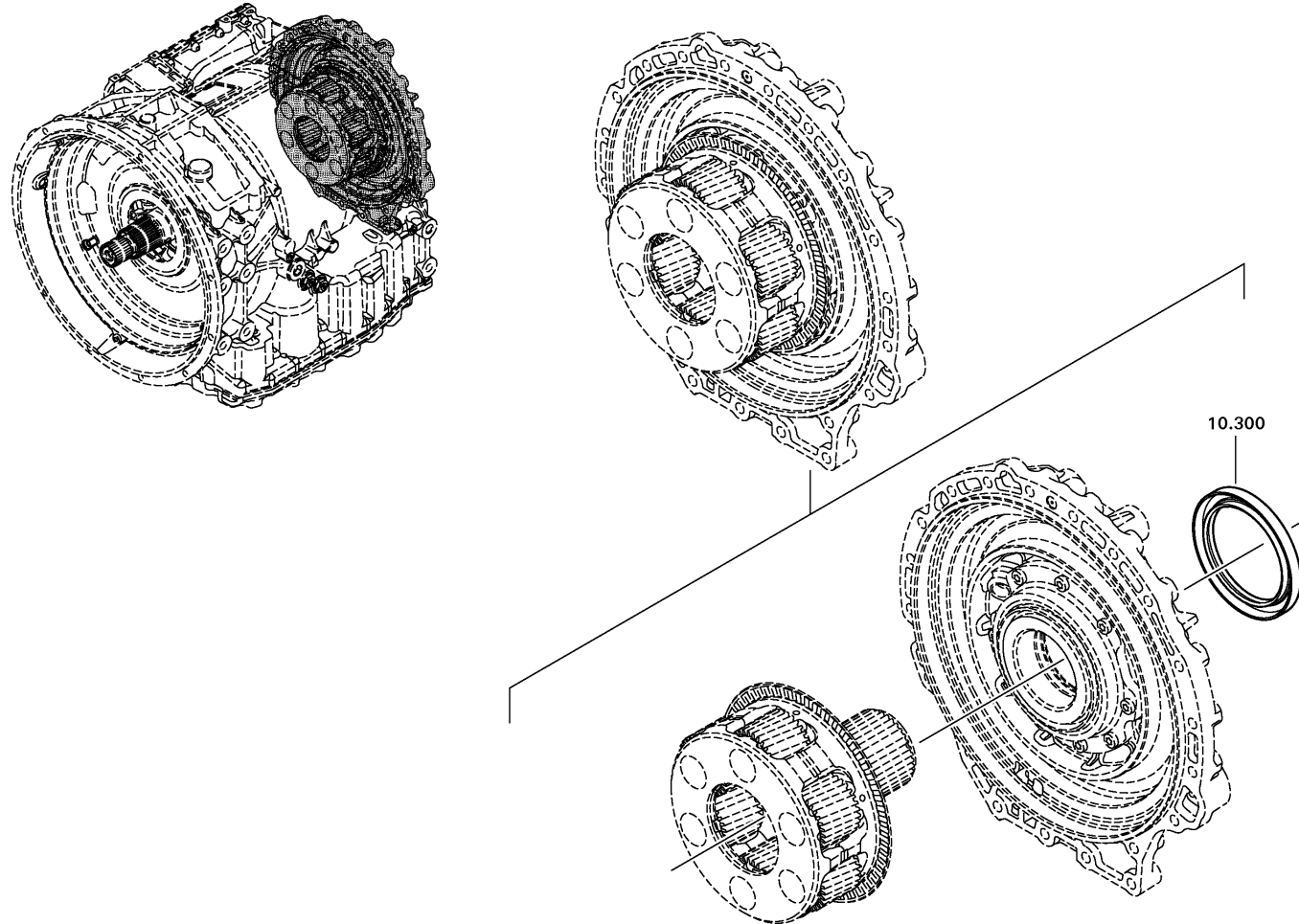
Material number: 4181.040.009

Picture: 130.010.001-1

Material-assembly-group-no: 4181.110.013



6 AP 1400 B / ()  
OUTPUT



# Picture

Page 2 from 3

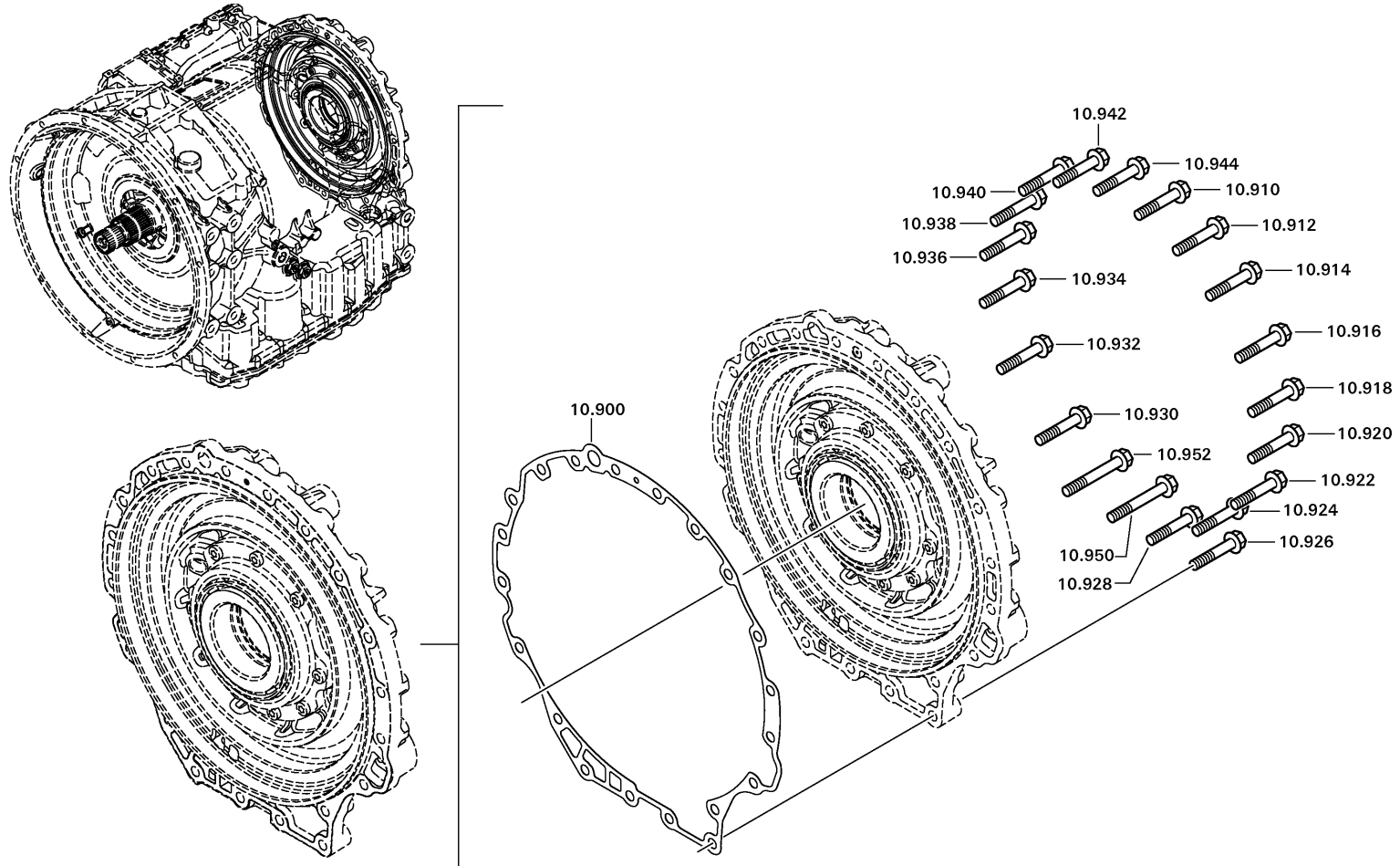
Material number: 4181.040.009

Picture: 130.010.080-1

Material-assembly-group-no: 4181.110.013



6 AP 1400 B / ()  
OUTPUT



# Picture

Page 3 from 3

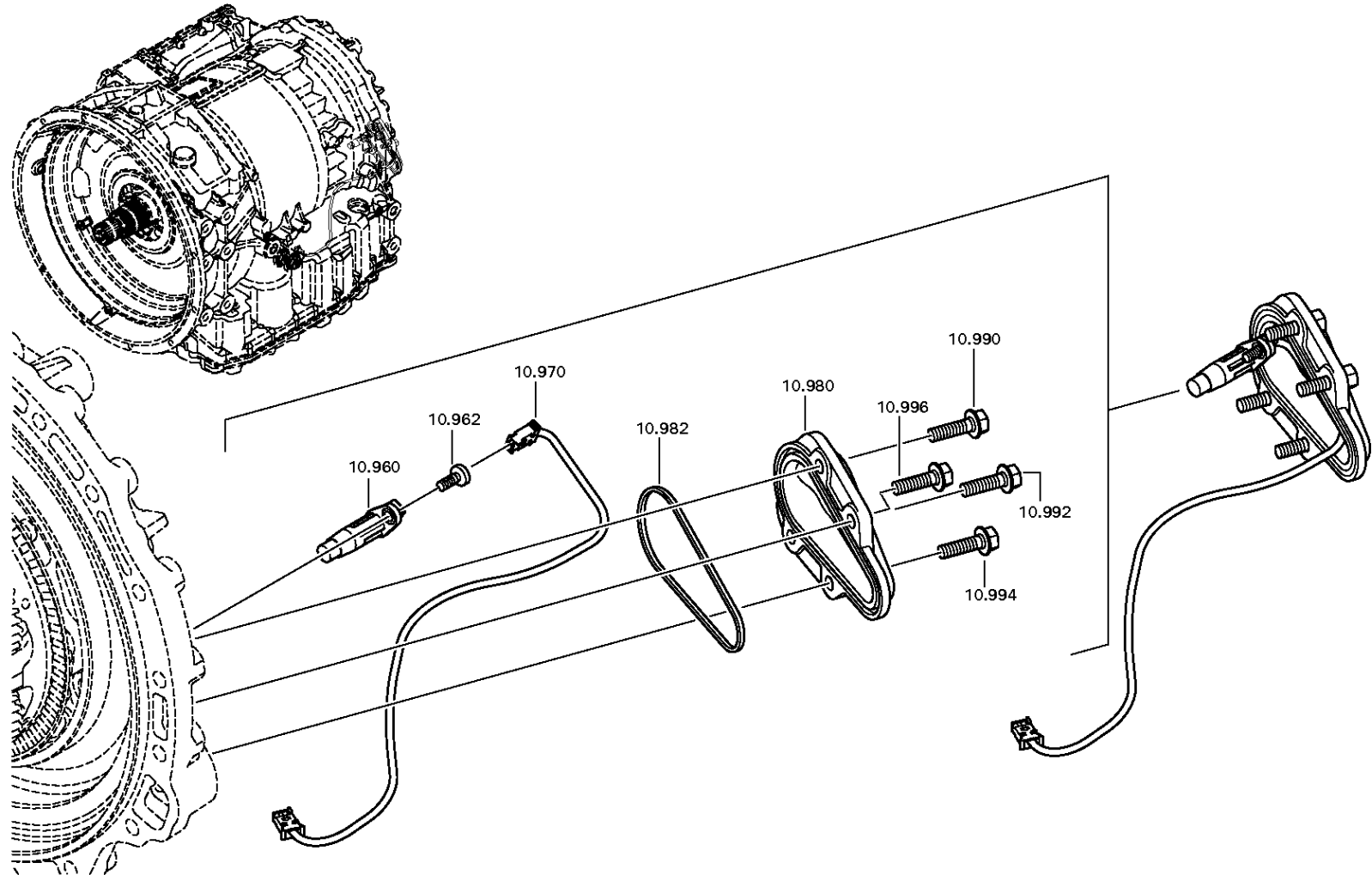
Material number: 4181.040.009

Picture: 130.10.50-1

Material-assembly-group-no: 4181.110.013



6 AP 1400 B / ()  
OUTPUT



# Picture

Page 1 from 2

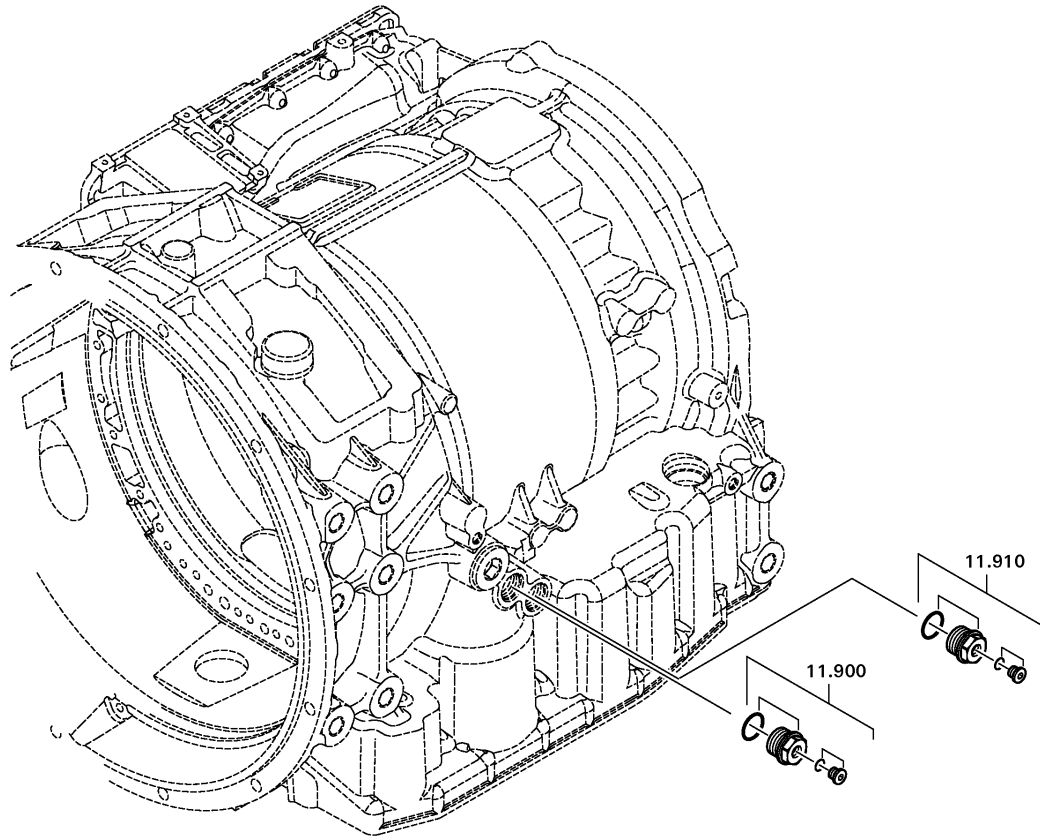
Material number: 4181.040.009

Picture: 130.011.001-1

Material-assembly-group-no: 4181.111.005



6 AP 1400 B / ()  
OUTPUT COVER





# Picture

Page 1 from 1

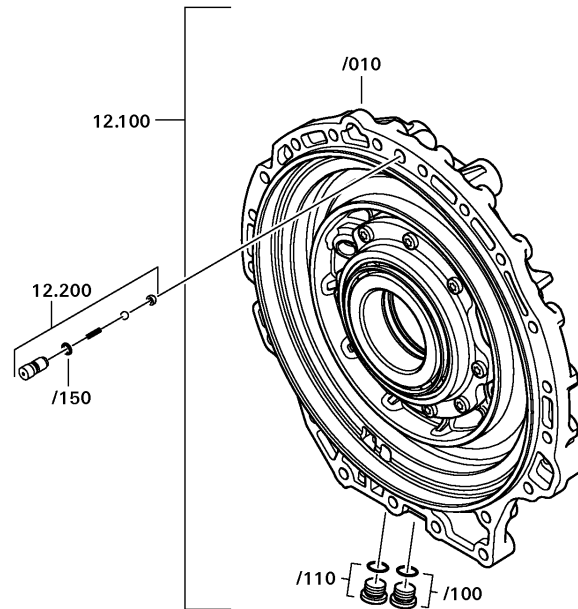
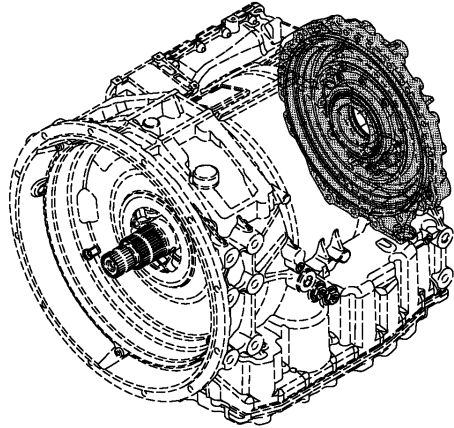
Material number: 4181.040.009

Picture: 130.012.001-1

Material-assembly-group-no: 4181.112.005



6 AP 1400 B / ()  
OUTPUT COVER



# Picture

Page 1 from 2

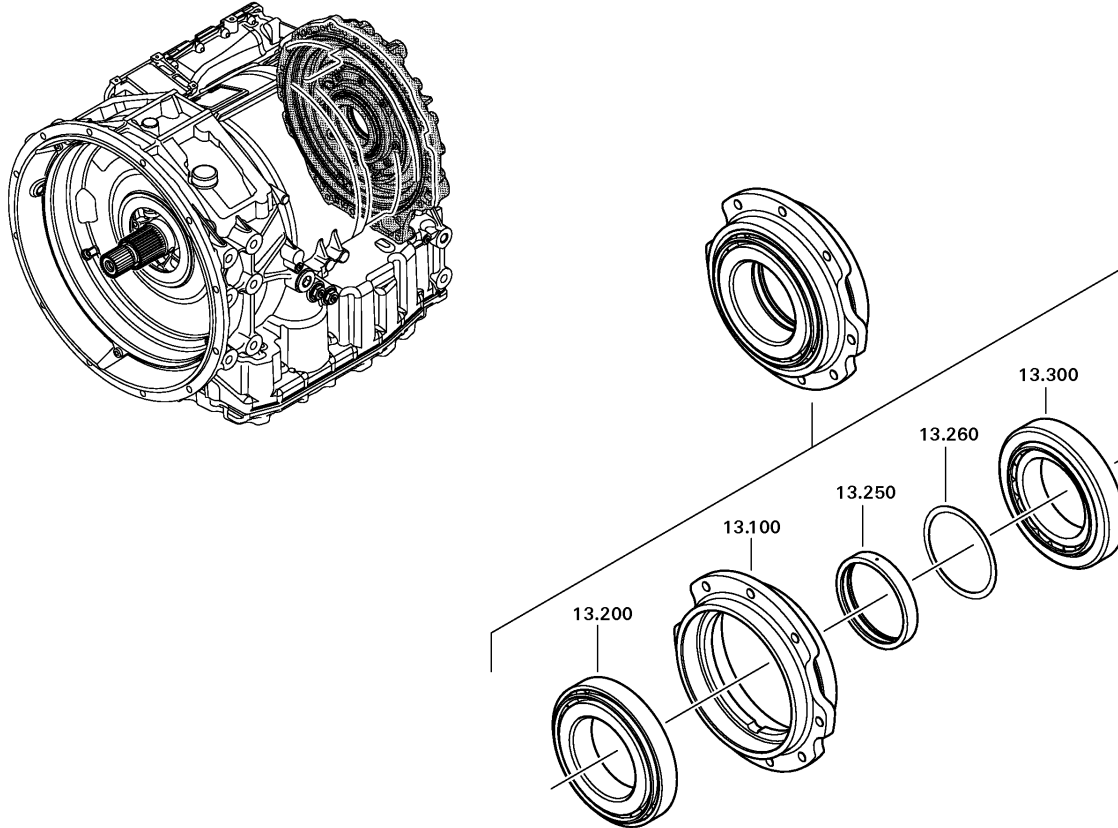
Material number: 4181.040.009

Picture: 130.13.01-1

Material-assembly-group-no: 4181.113.005



6 AP 1400 B / ()  
BEARING UNIT



# Picture

Page 2 from 2

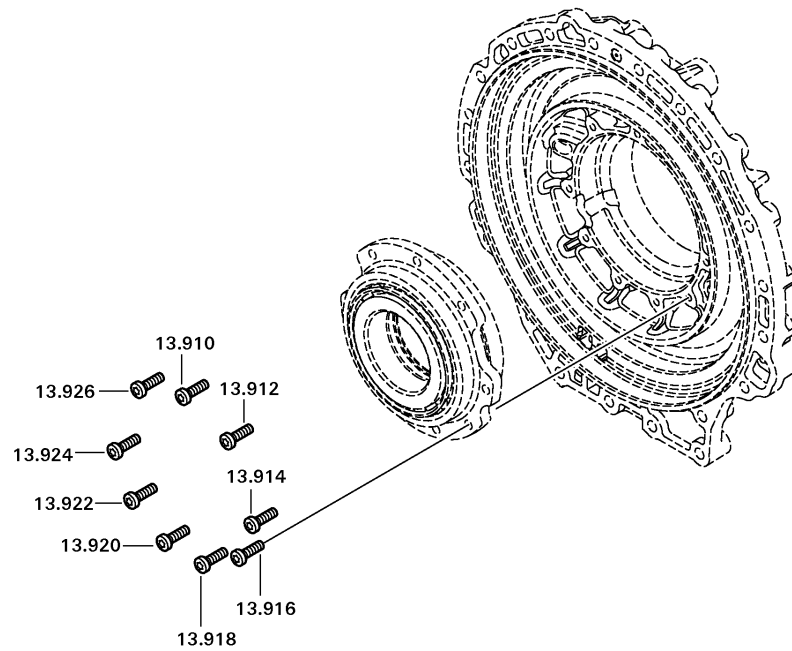
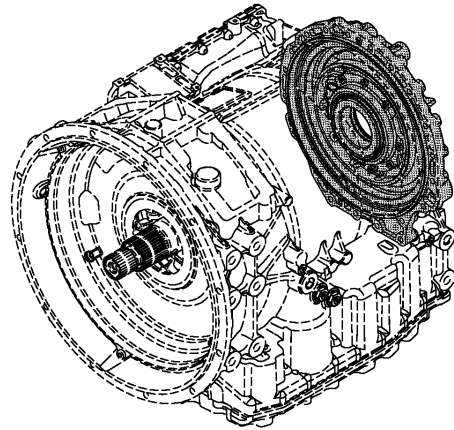
Material number: 4181.040.009

Picture: 130.013.080-1

Material-assembly-group-no: 4181.113.005



6 AP 1400 B / ()  
BEARING UNIT



# Picture

Page 1 from 2

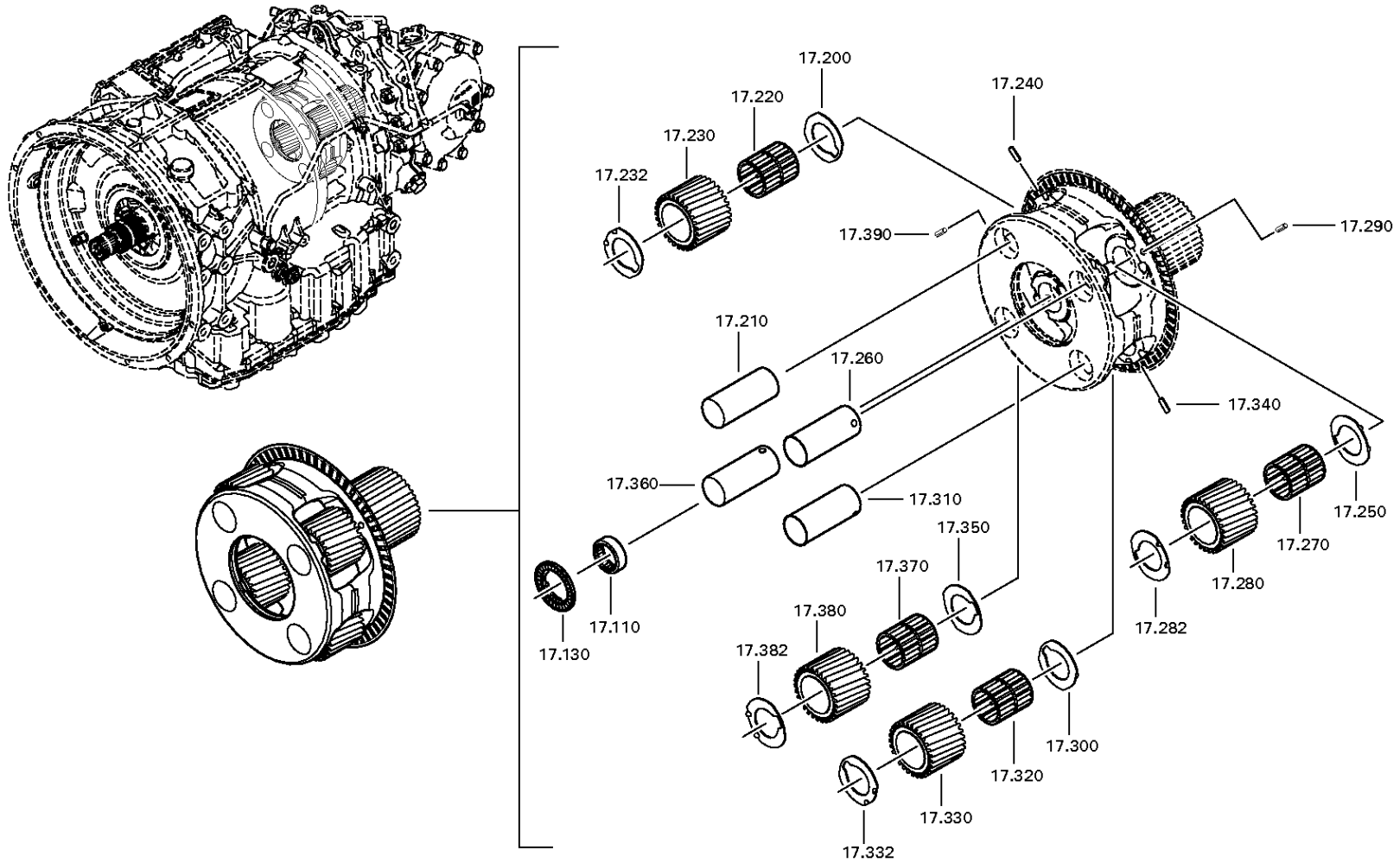
Material number: 4181.040.009

Picture: 130.17.03-1

Material-assembly-group-no: 4181.117.020



6 AP 1400 B / ()  
PLANETARY GEAR



# Picture

Page 2 from 2

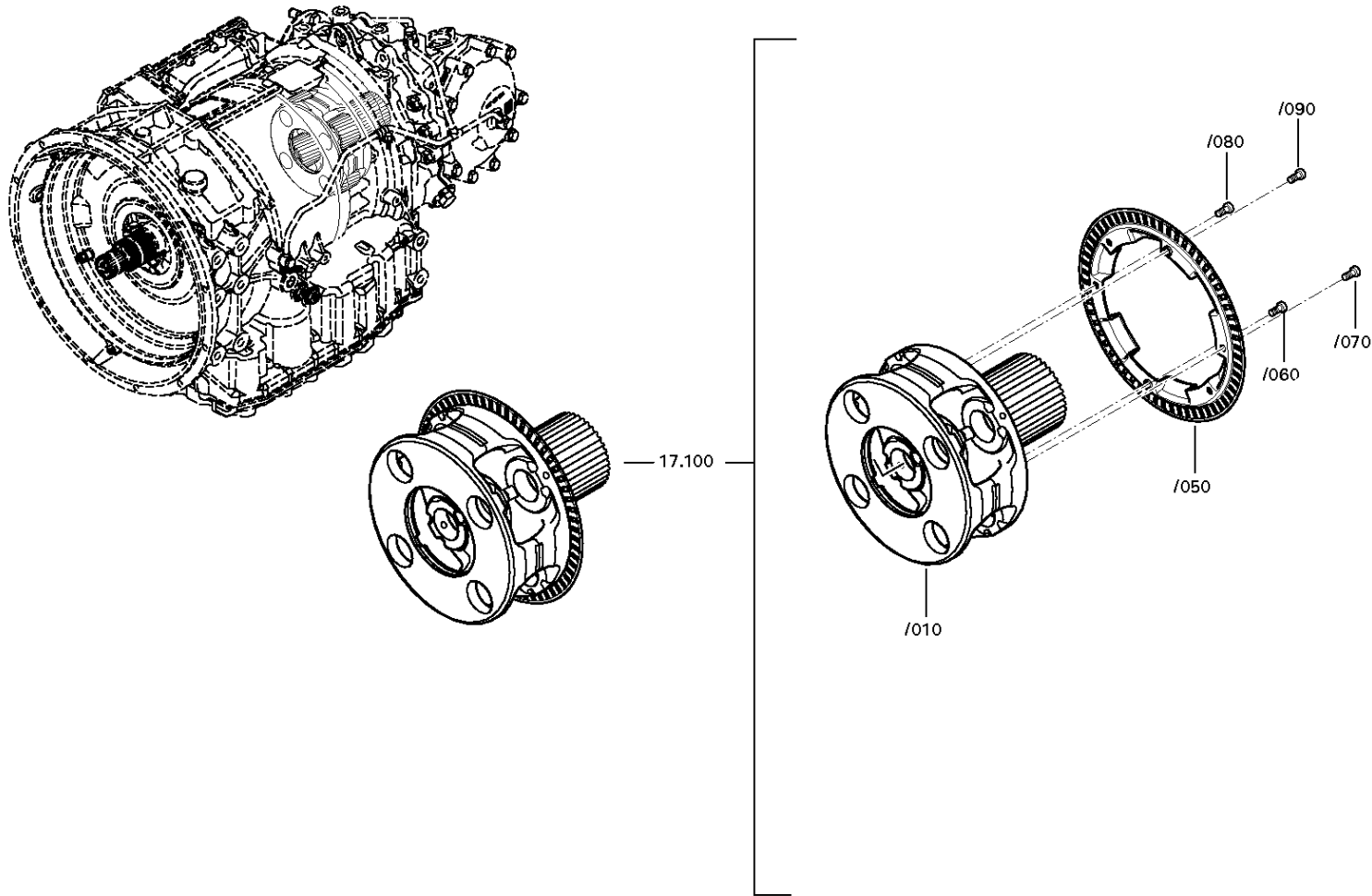
Material number: 4181.040.009

Picture: 130.17.03-2

Material-assembly-group-no: 4181.117.020



6 AP 1400 B / ()  
PLANETARY GEAR



# Picture

Page 1 from 1

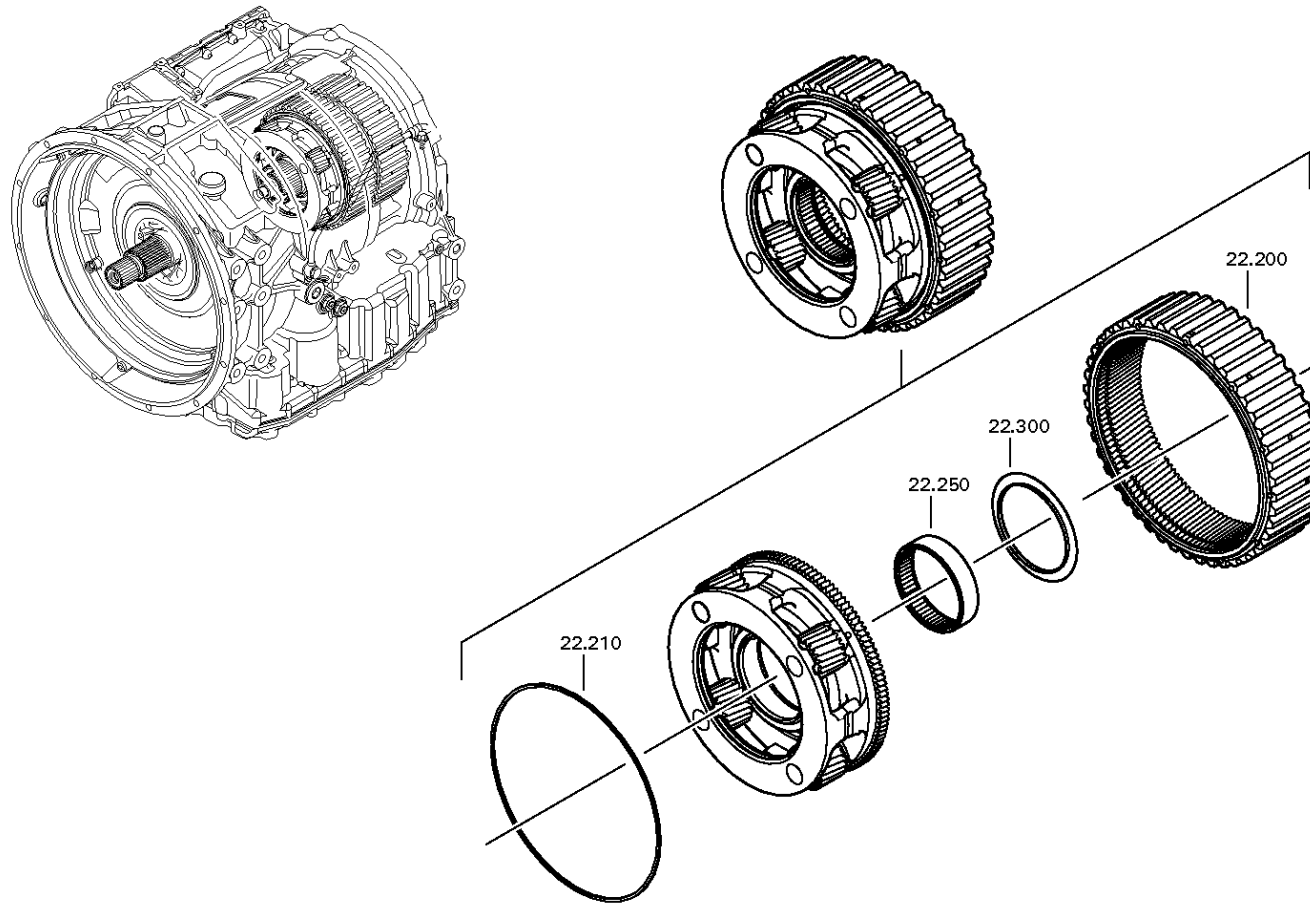
Material number: 4181.040.009

Picture: 130.22.02-1

Material-assembly-group-no: 4181.122.015



6 AP 1400 B / ()  
PLANETARY DRIVE



# Picture

Page 1 from 1

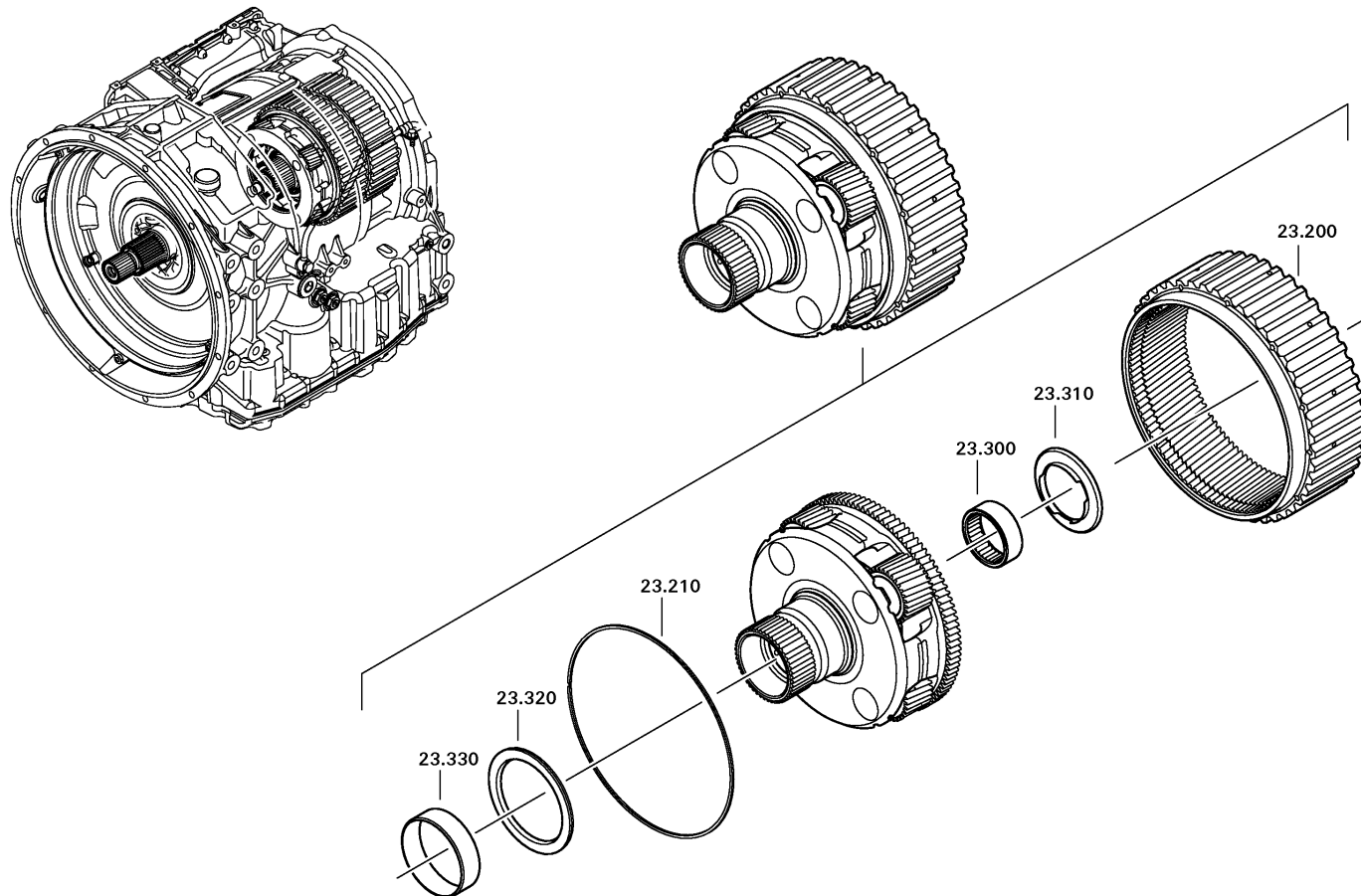
Material number: 4181.040.009

Picture: 130.23.01-1

Material-assembly-group-no: 4181.123.015



6 AP 1400 B / ()  
PLANETARY DRIVE



# Picture

Page 1 from 1

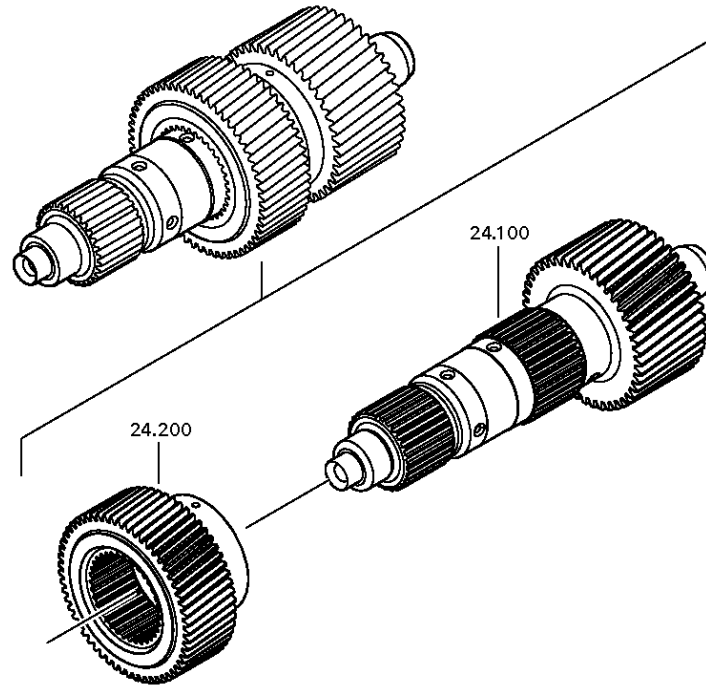
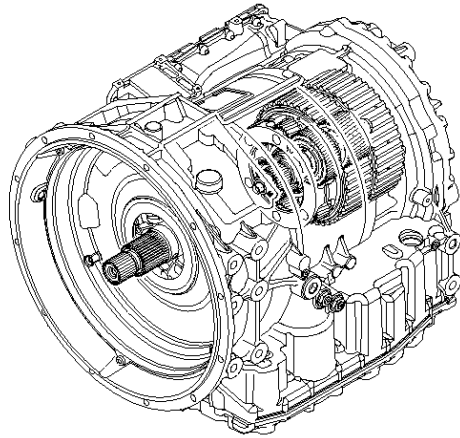
Material number: 4181.040.009

Picture: 130.24.02-1

Material-assembly-group-no: 4181.124.007



6 AP 1400 B / ()  
INPUT SHAFT



# Picture

Page 1 from 1

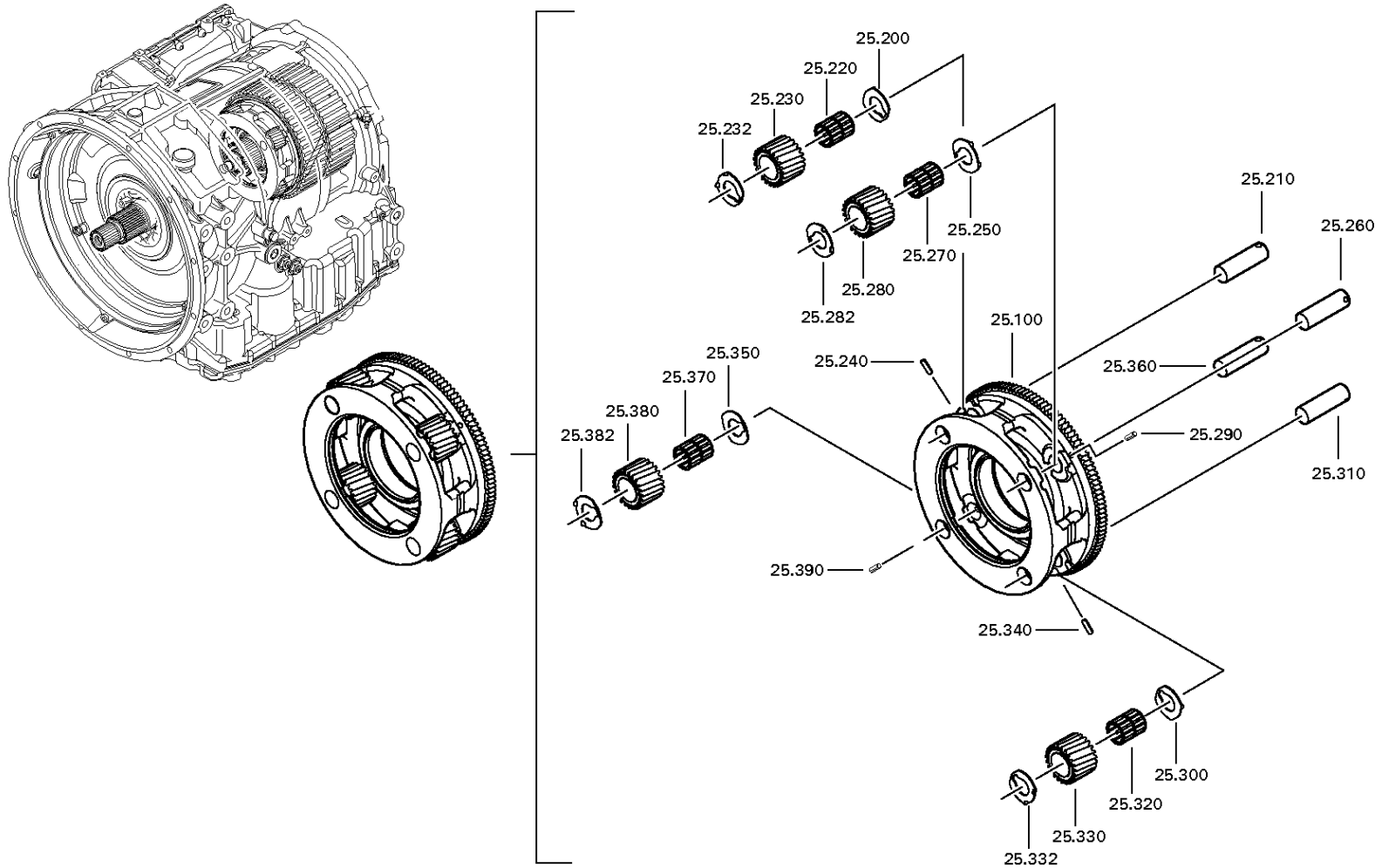
Material number: 4181.040.009

Picture: 130.25.03-1

Material-assembly-group-no: 4181.125.021



6 AP 1400 B / ()  
PLANET CARRIER



# Picture

Page 1 from 1

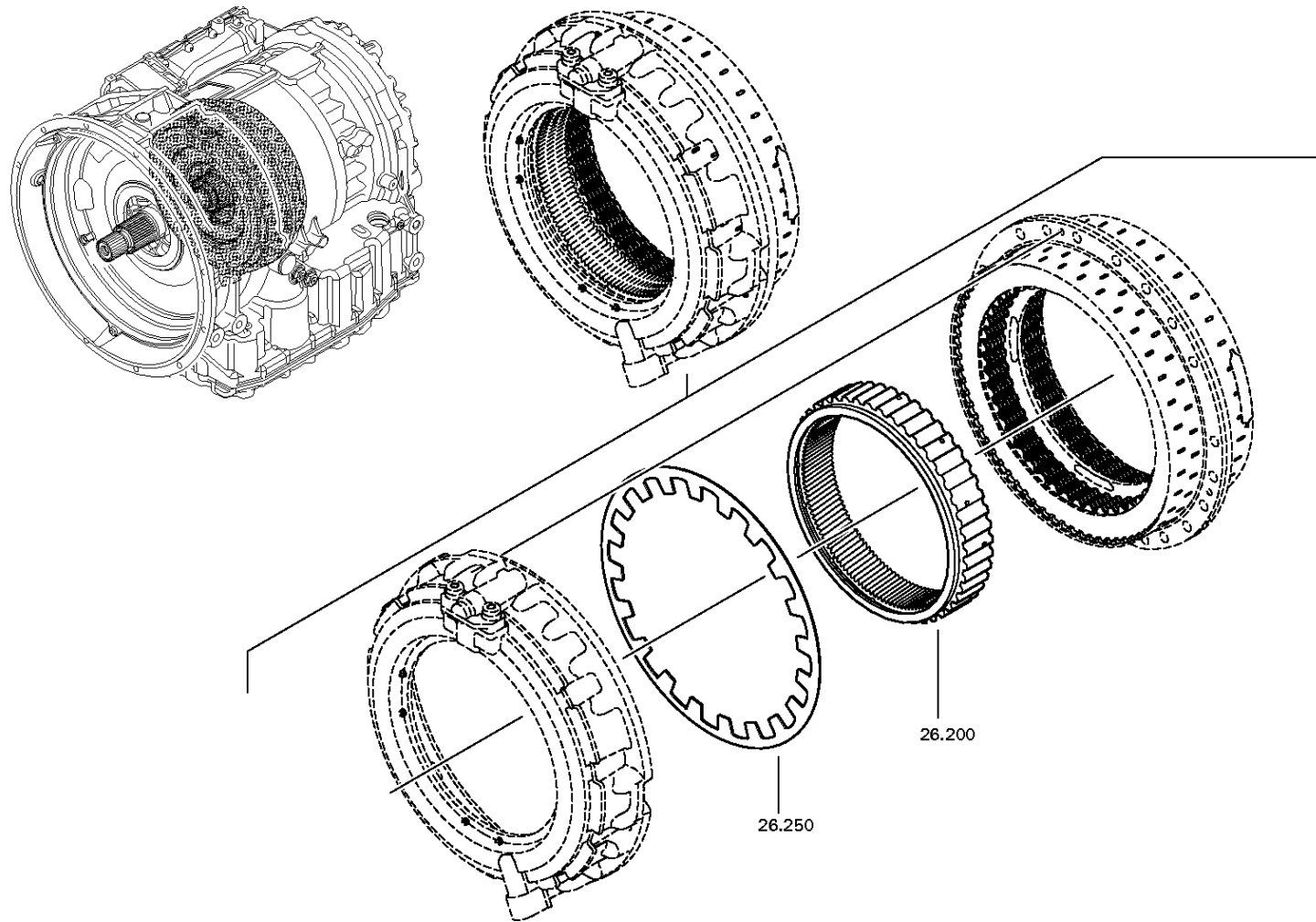
Material number: 4181.040.009

Picture: 130.26.01-1

Material-assembly-group-no: 4181.126.007



6 AP 1400 B / ()  
BRAKE



# Picture

Page 1 from 1

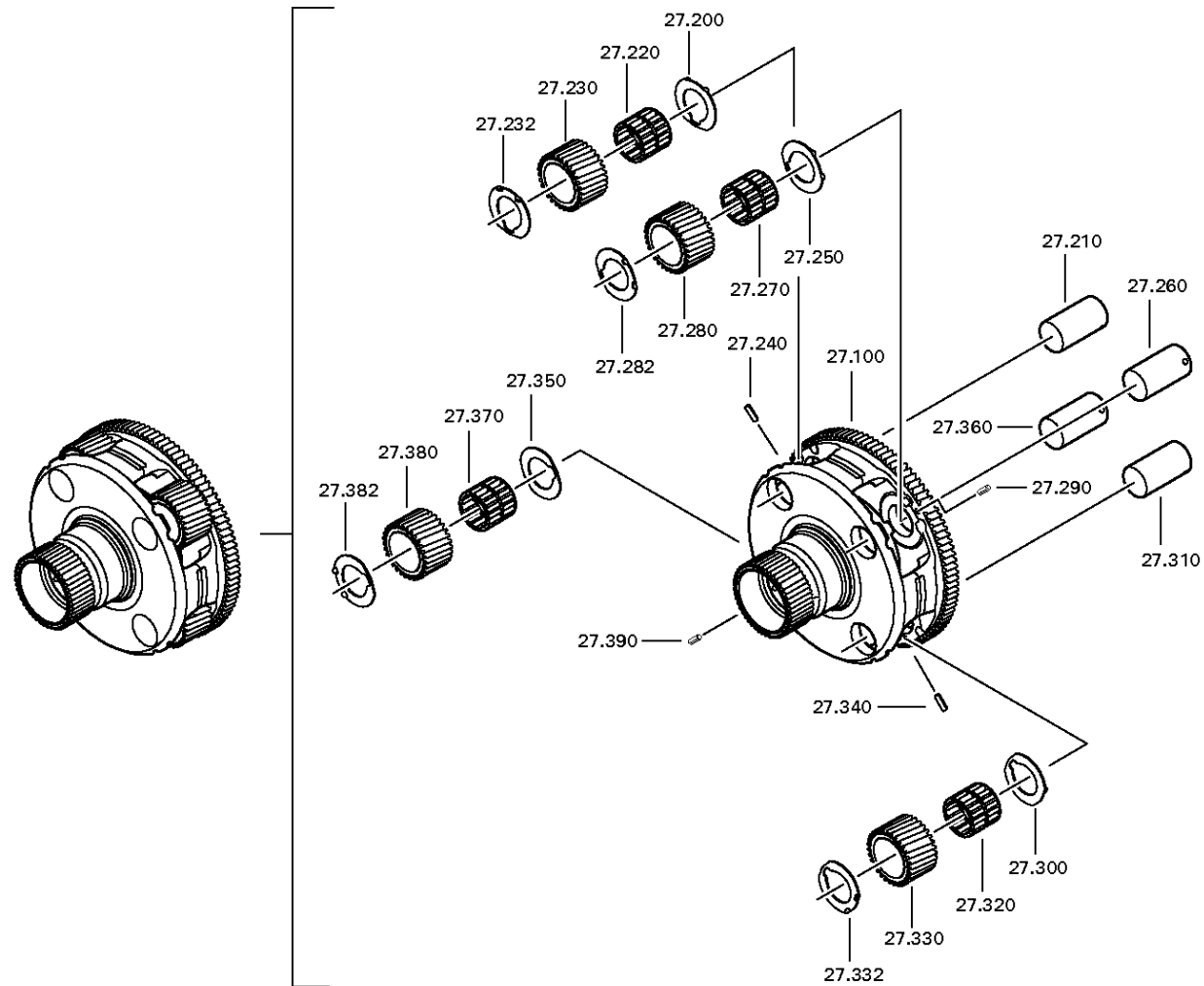
Material number: 4181.040.009

Picture: 130.27.01-1

Material-assembly-group-no: 4181.125.022



6 AP 1400 B / ()  
PLANET CARRIER



# Picture

Page 1 from 6

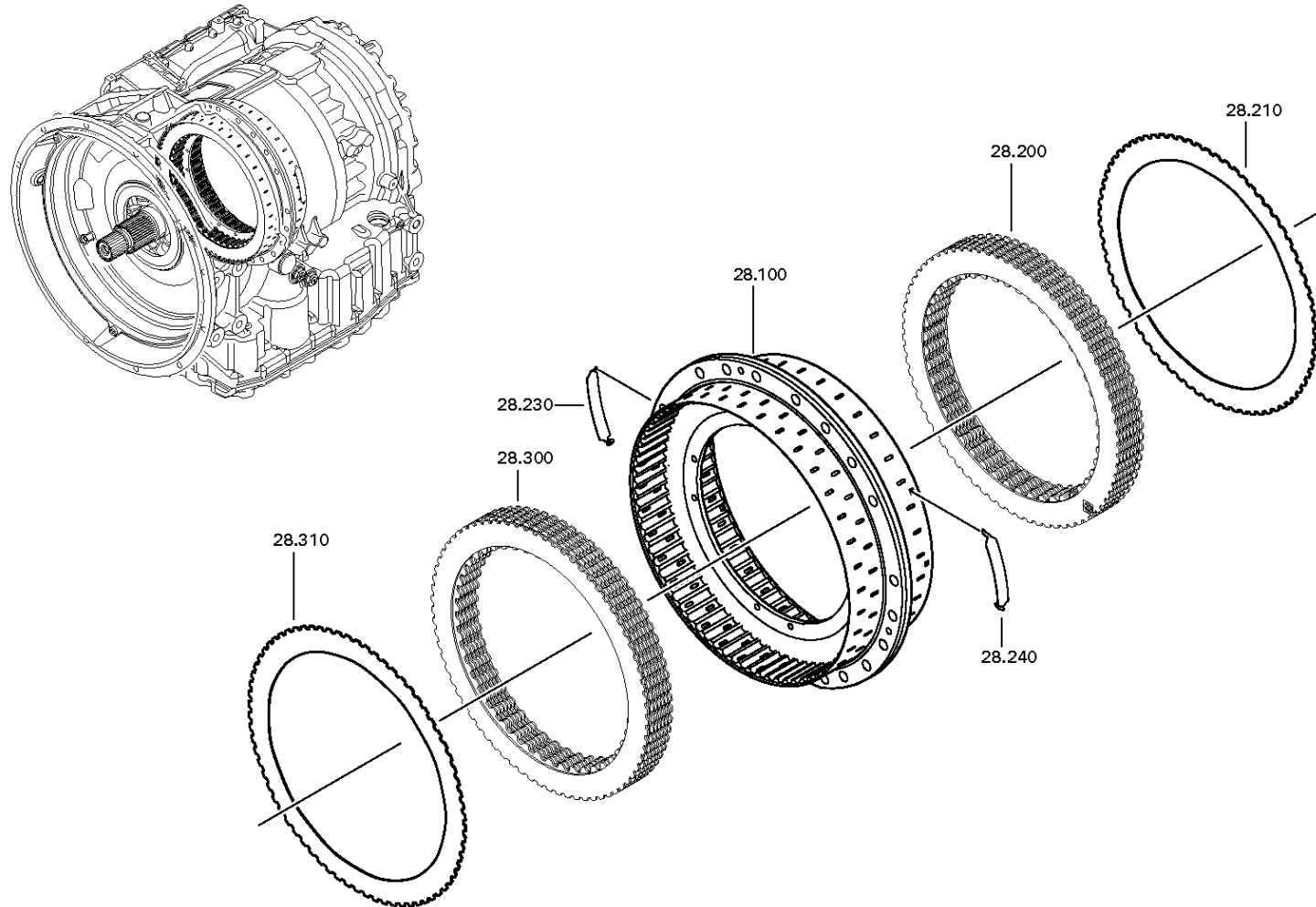
Material number: 4181.040.009

Picture: 130.28.04-1

Material-assembly-group-no: 4181.127.004



6 AP 1400 B / ()  
DISC CARRIER



# Picture

Page 2 from 6

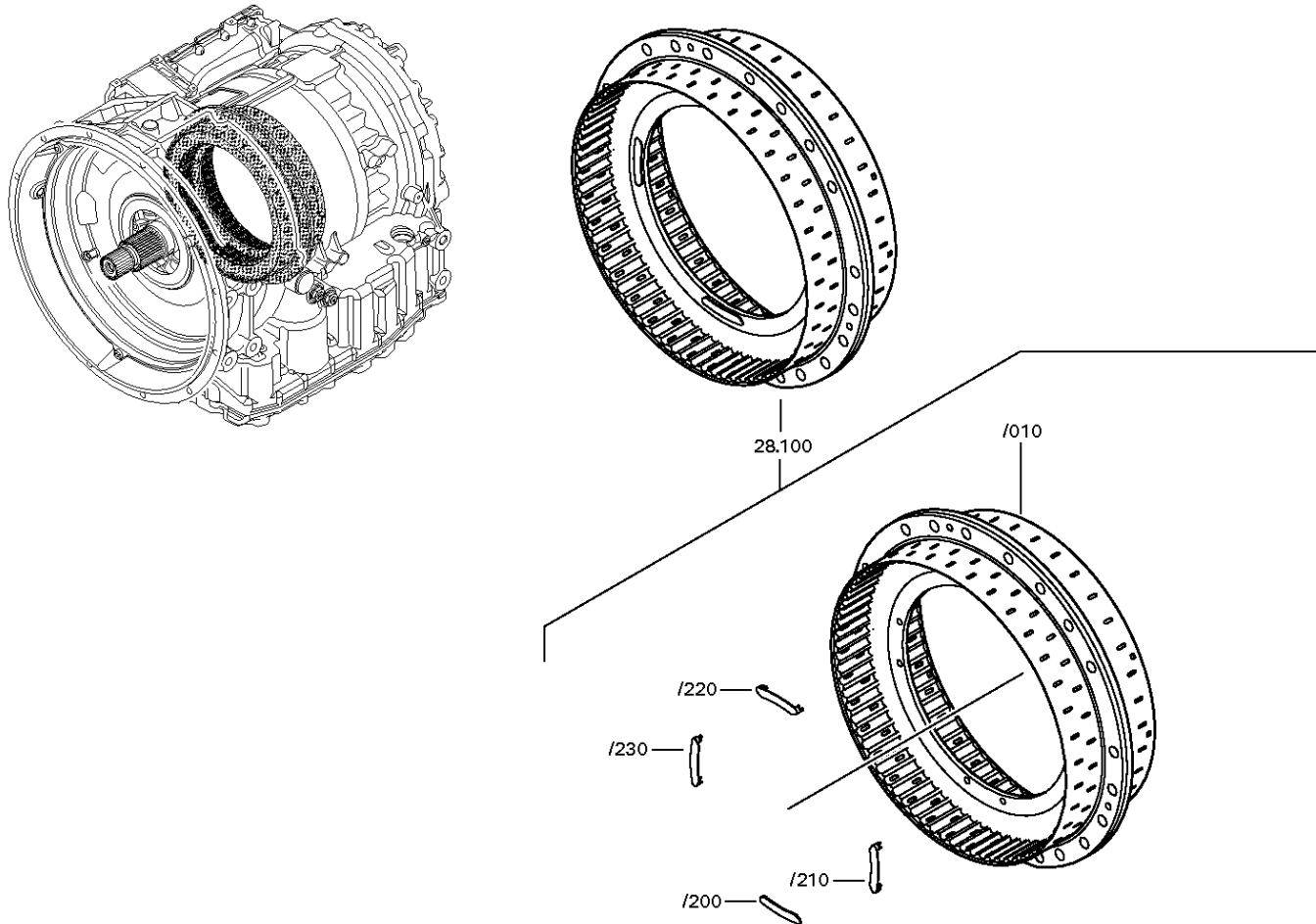
Material number: 4181.040.009

Picture: 130.28.04-2

Material-assembly-group-no: 4181.127.004



6 AP 1400 B / ()  
DISC CARRIER



# Picture

Page 3 from 6

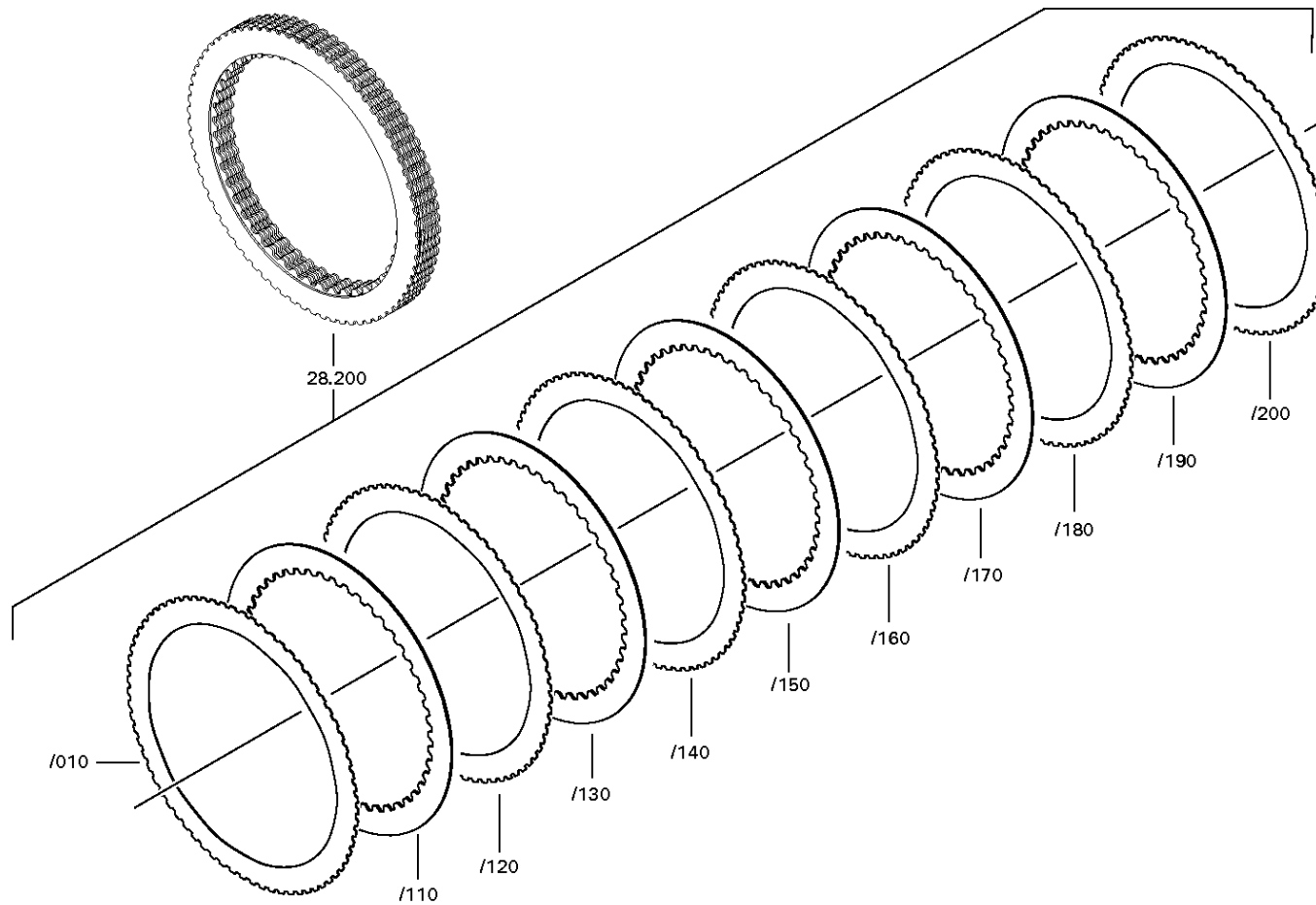
Material number: 4181.040.009

Picture: 130.28.04-3

Material-assembly-group-no: 4181.127.004



6 AP 1400 B / ()  
DISC CARRIER



# Picture

Page 4 from 6

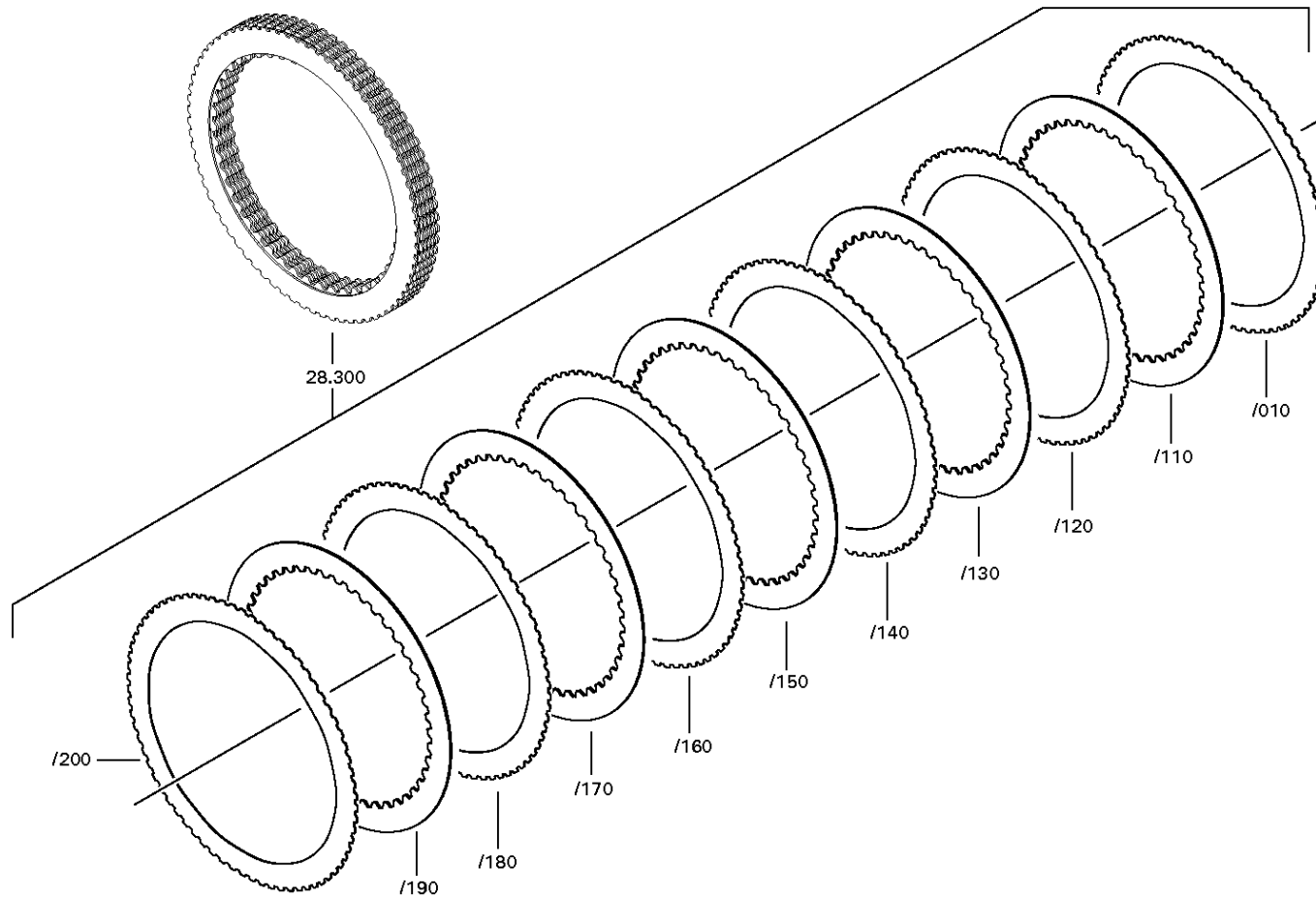
Material number: 4181.040.009

Picture: 130.28.04-4

Material-assembly-group-no: 4181.127.004



6 AP 1400 B / ()  
DISC CARRIER



# Picture

Page 5 from 6

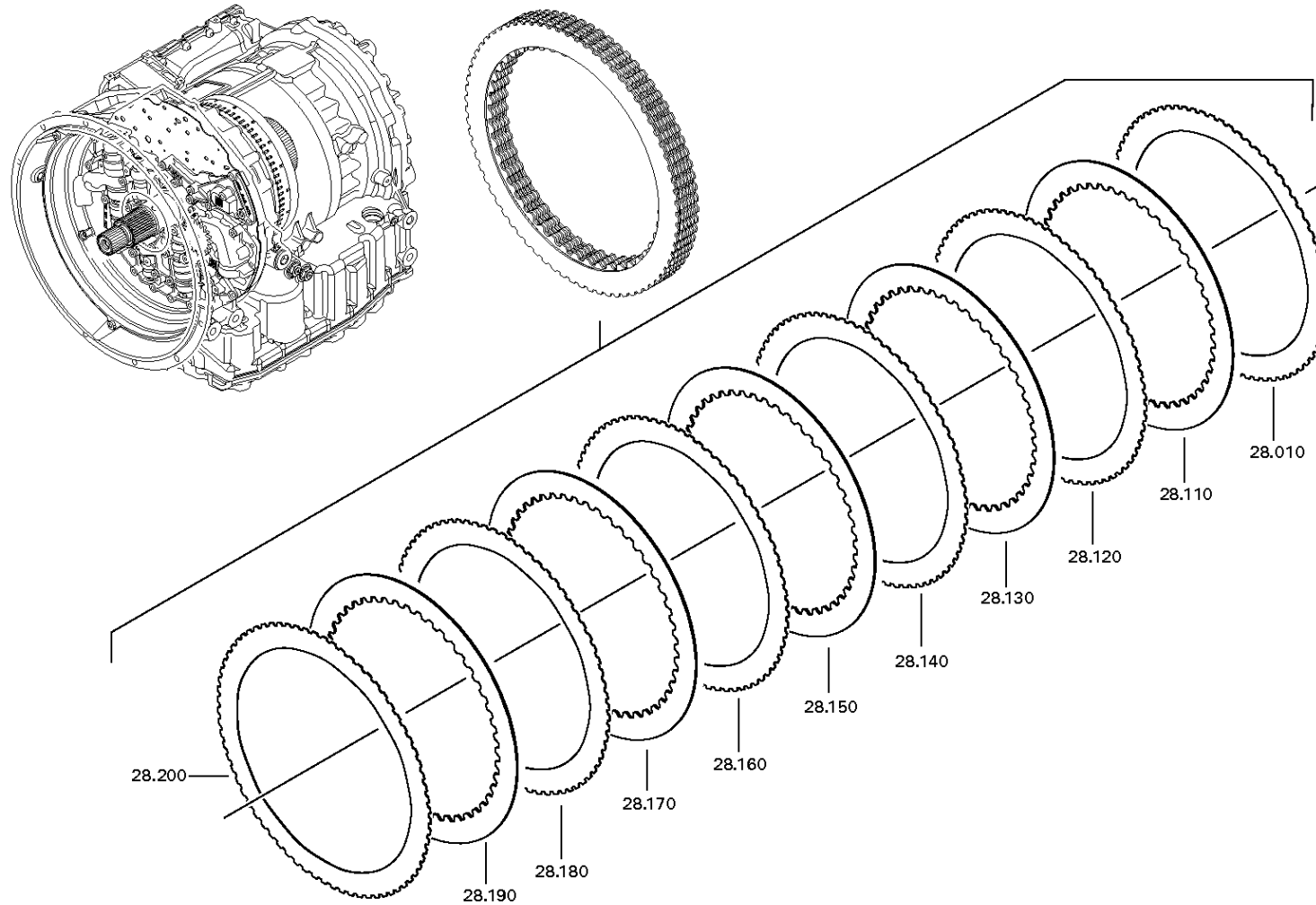
Material number: 4181.040.009

Picture: 130.31.02-1

Material-assembly-group-no: 4181.127.004



6 AP 1400 B / ()  
DISC CARRIER



# Picture

Page 6 from 6

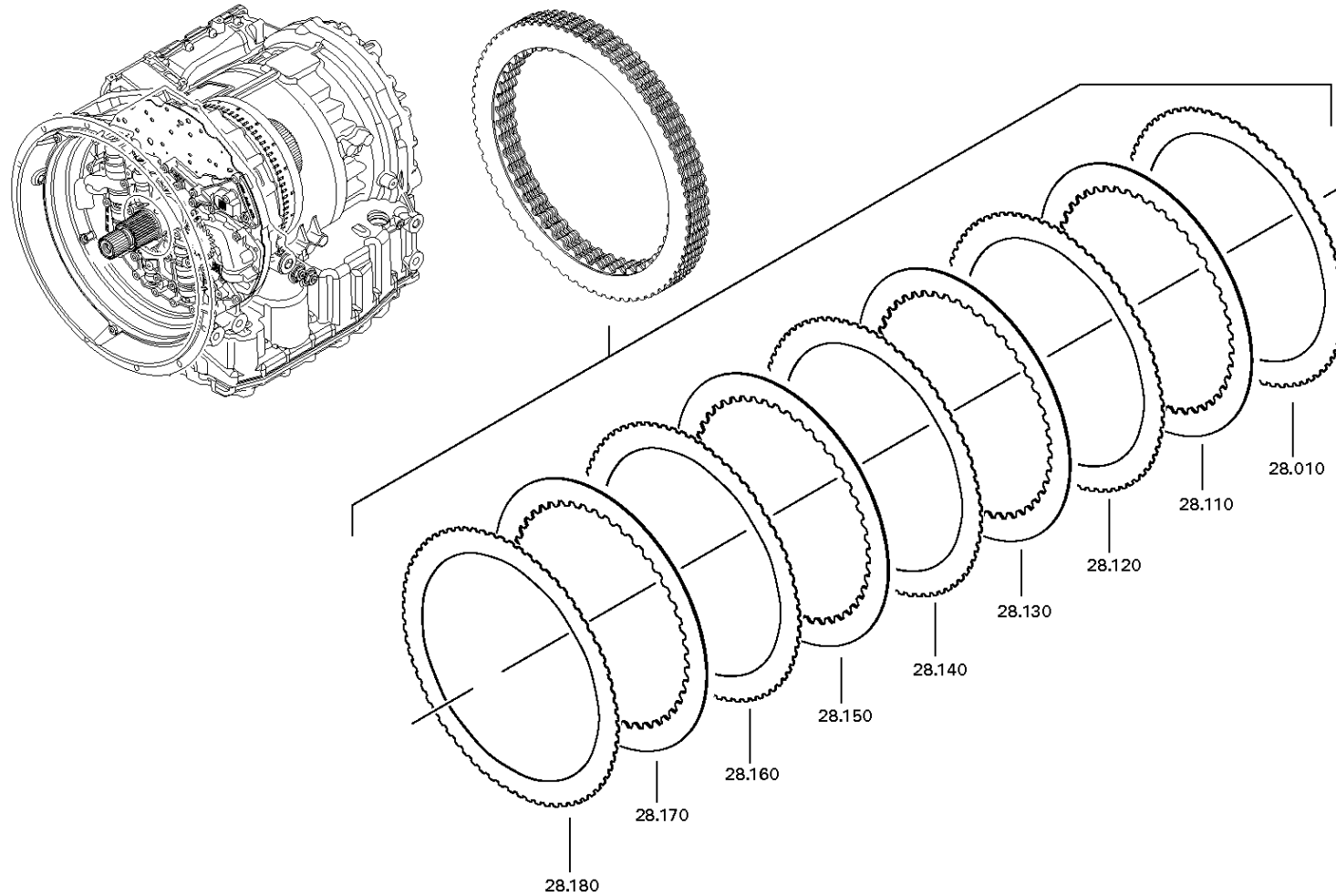
Material number: 4181.040.009

Picture: 130.31.04-1

Material-assembly-group-no: 4181.127.004



6 AP 1400 B / ()  
DISC CARRIER



# Picture

Page 1 from 2

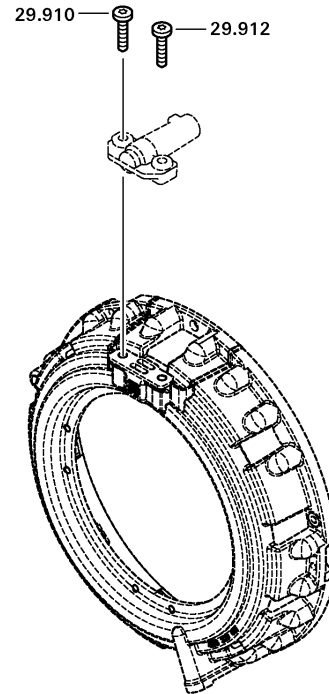
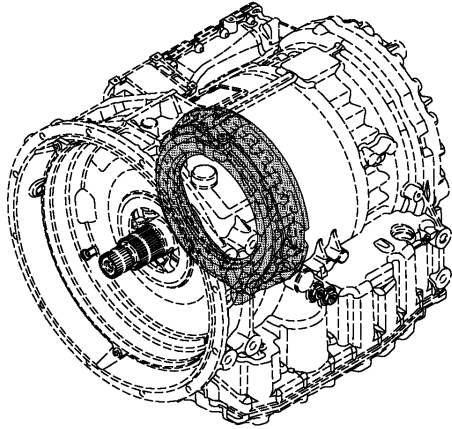
Material number: 4181.040.009

Picture: 130.029.080

Material-assembly-group-no: 4181.129.801



6 AP 1400 B / ()  
CHANGE OVER VALVE



# Picture

Page 2 from 2

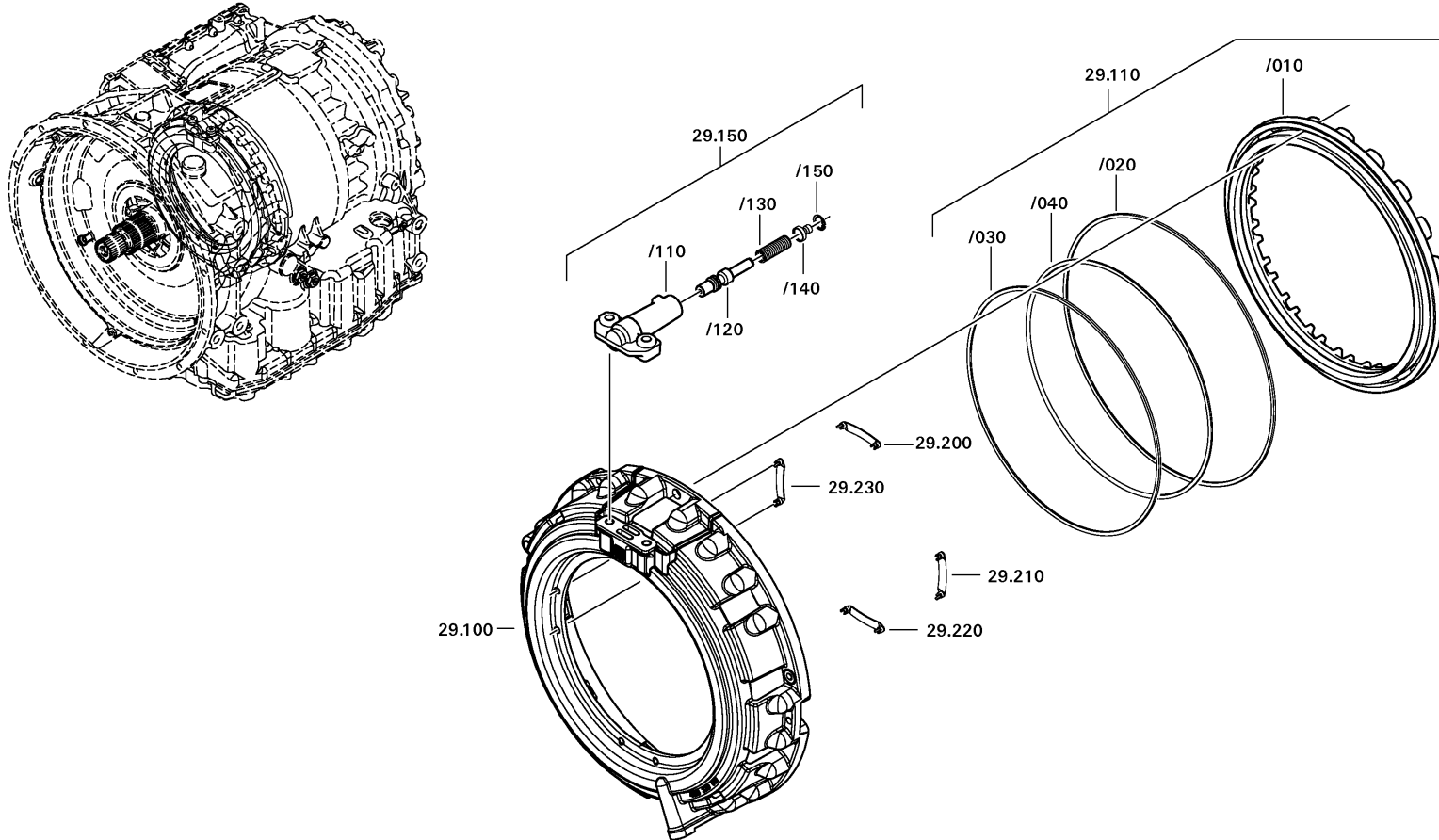
Material number: 4181.040.009

Picture: 130.029.001

Material-assembly-group-no: 4181.129.801



6 AP 1400 B / ()  
CHANGE OVER VALVE



# Picture

Page 1 from 1

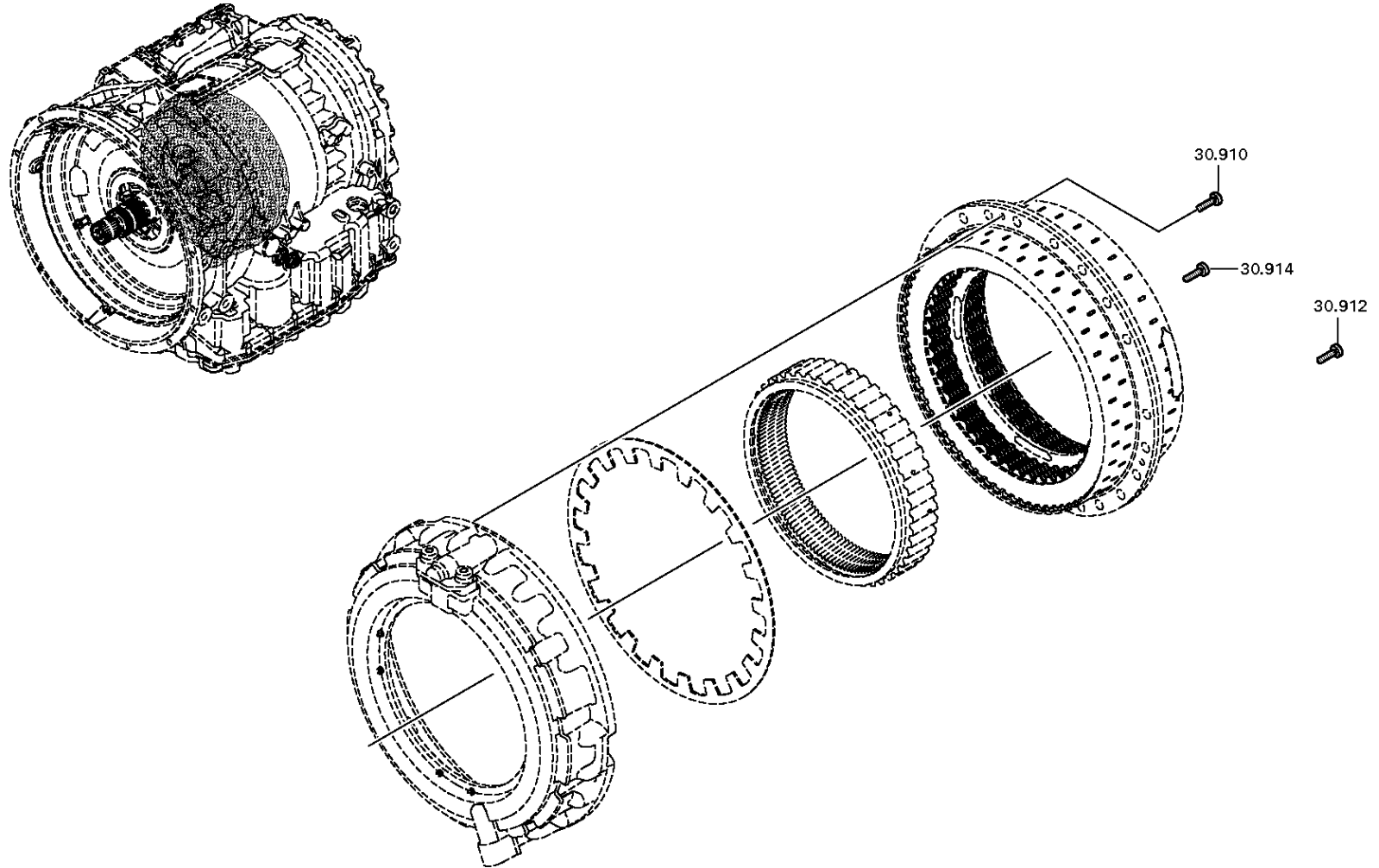
Material number: 4181.040.009

Picture: 130.30.01-1

Material-assembly-group-no: 4181.129.802



6 AP 1400 B / ()  
PISTON SUPPORT



# Picture

Page 1 from 2

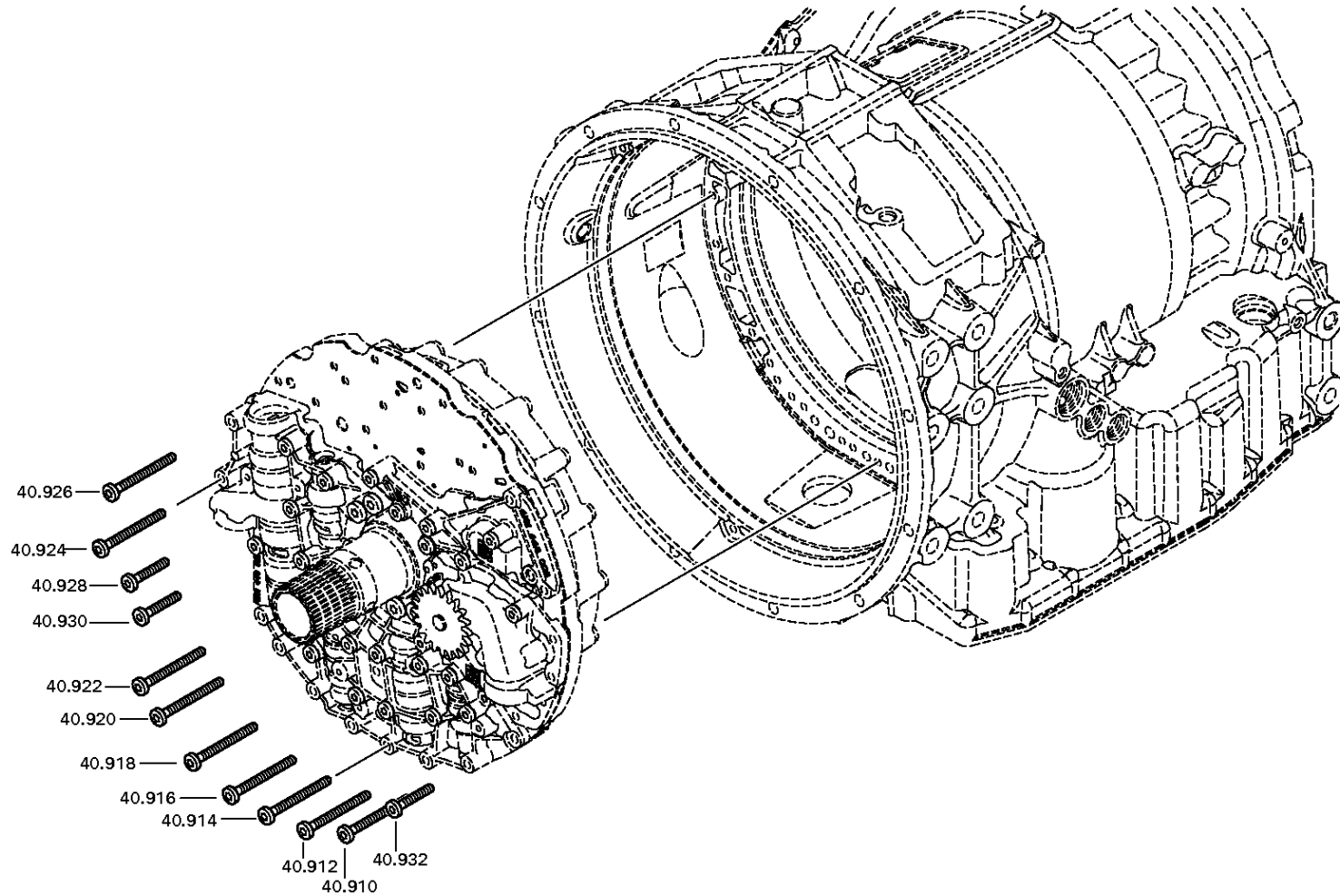
Material number: 4181.040.009

Picture: 130.40.80-1

Material-assembly-group-no: 4181.140.801



6 AP 1400 B / ()  
OIL SUPPLY



# Picture

Page 2 from 2

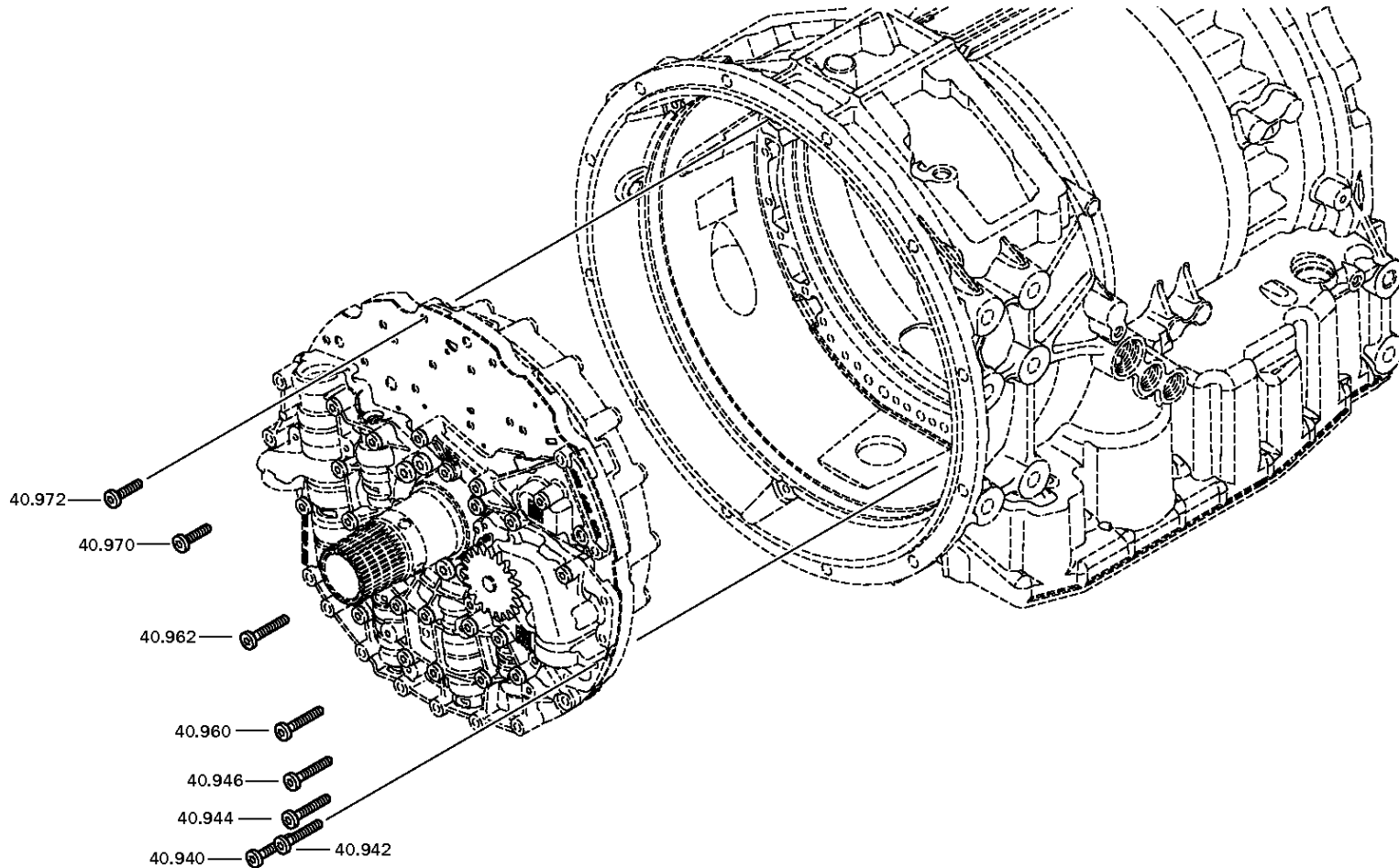
Material number: 4181.040.009

Picture: 130.40.80-2

Material-assembly-group-no: 4181.140.801



6 AP 1400 B / ()  
OIL SUPPLY



# Picture

Page 1 from 4

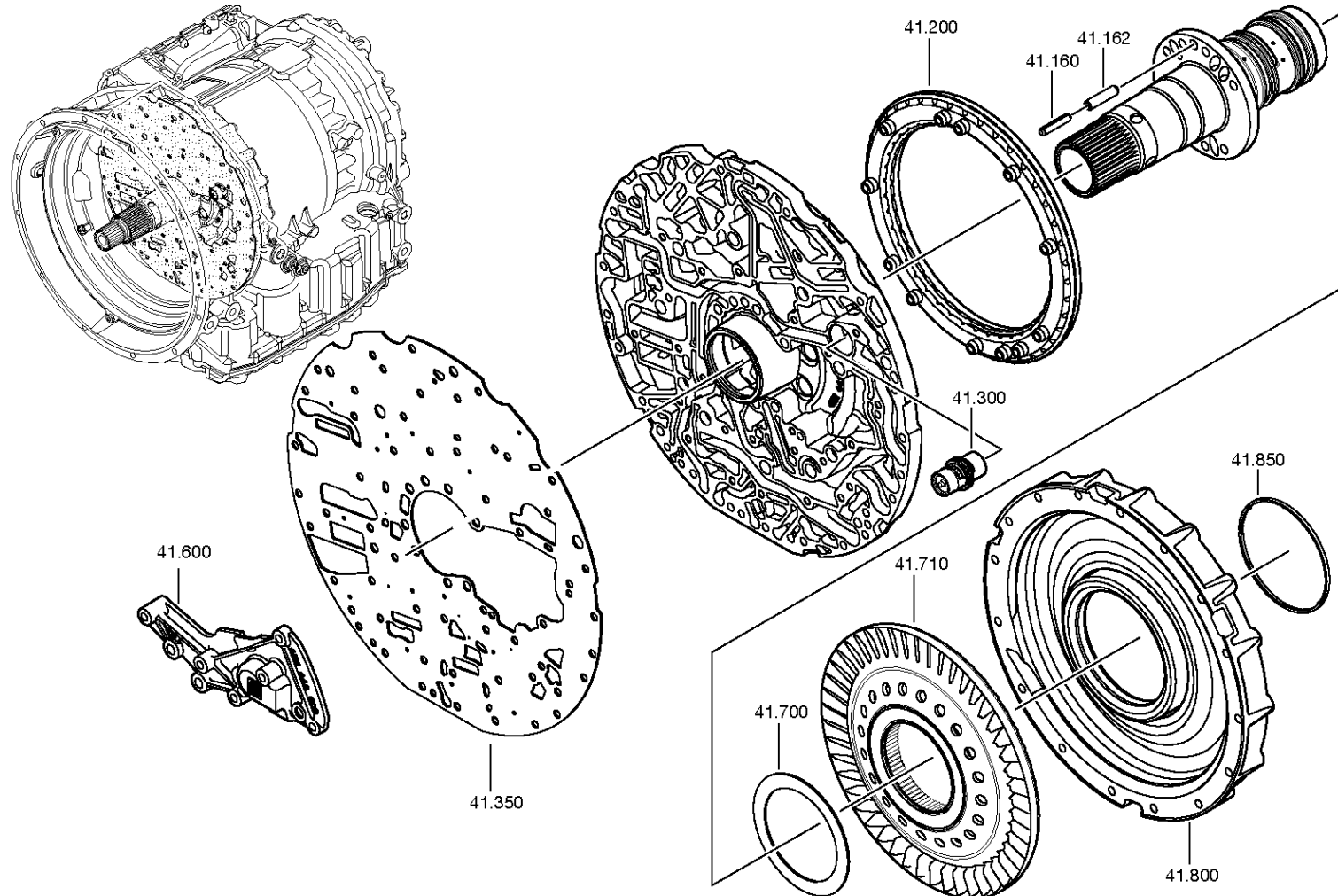
Material number: 4181.040.009

Picture: 130.41.01-1

Material-assembly-group-no: 4181.141.052



6 AP 1400 B / ()  
OIL SUPPLY



# Picture

Page 2 from 4

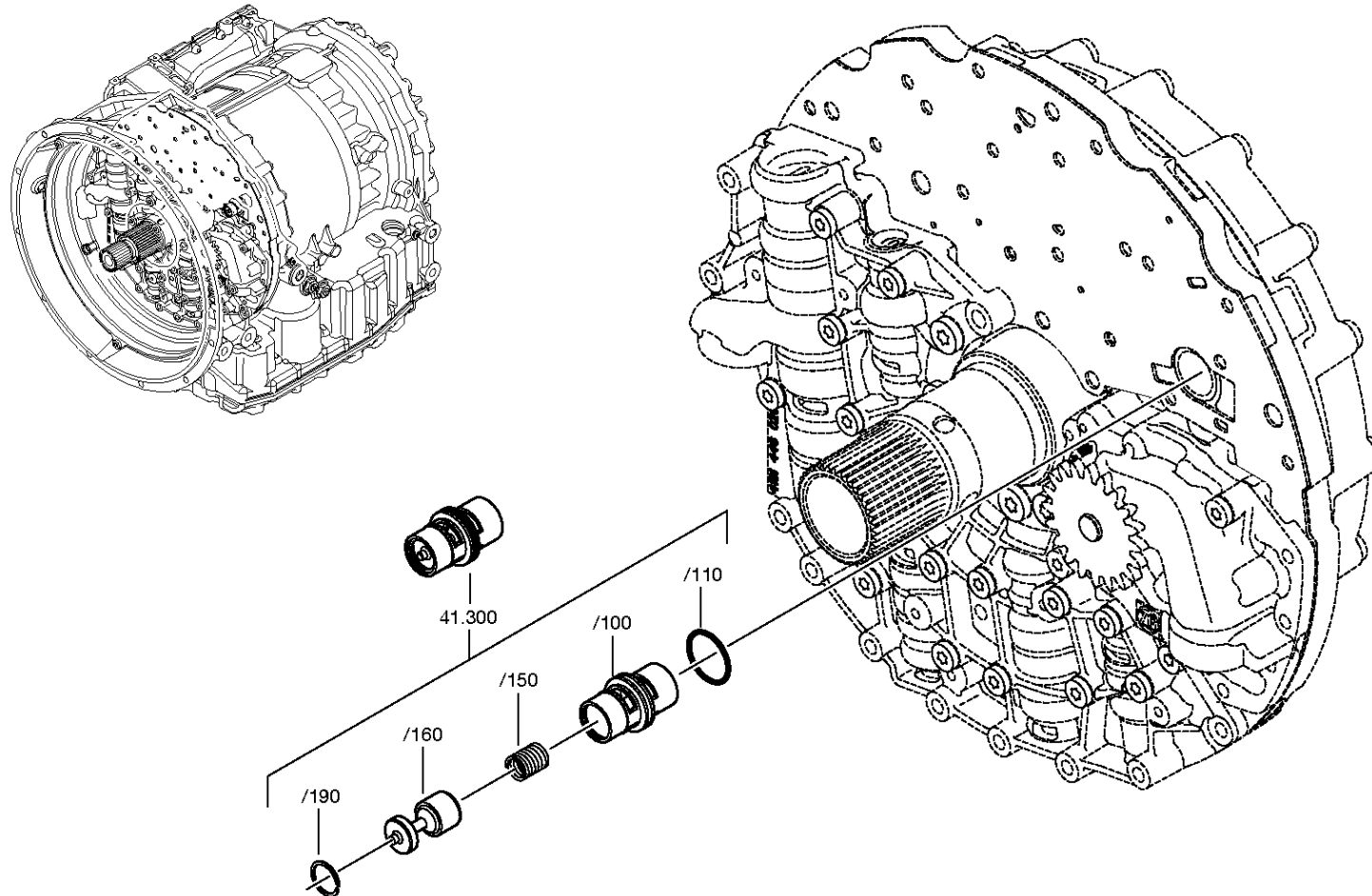
Material number: 4181.040.009

Picture: 130.41.01-2

Material-assembly-group-no: 4181.141.052



6 AP 1400 B / ()  
OIL SUPPLY



# Picture

Page 3 from 4

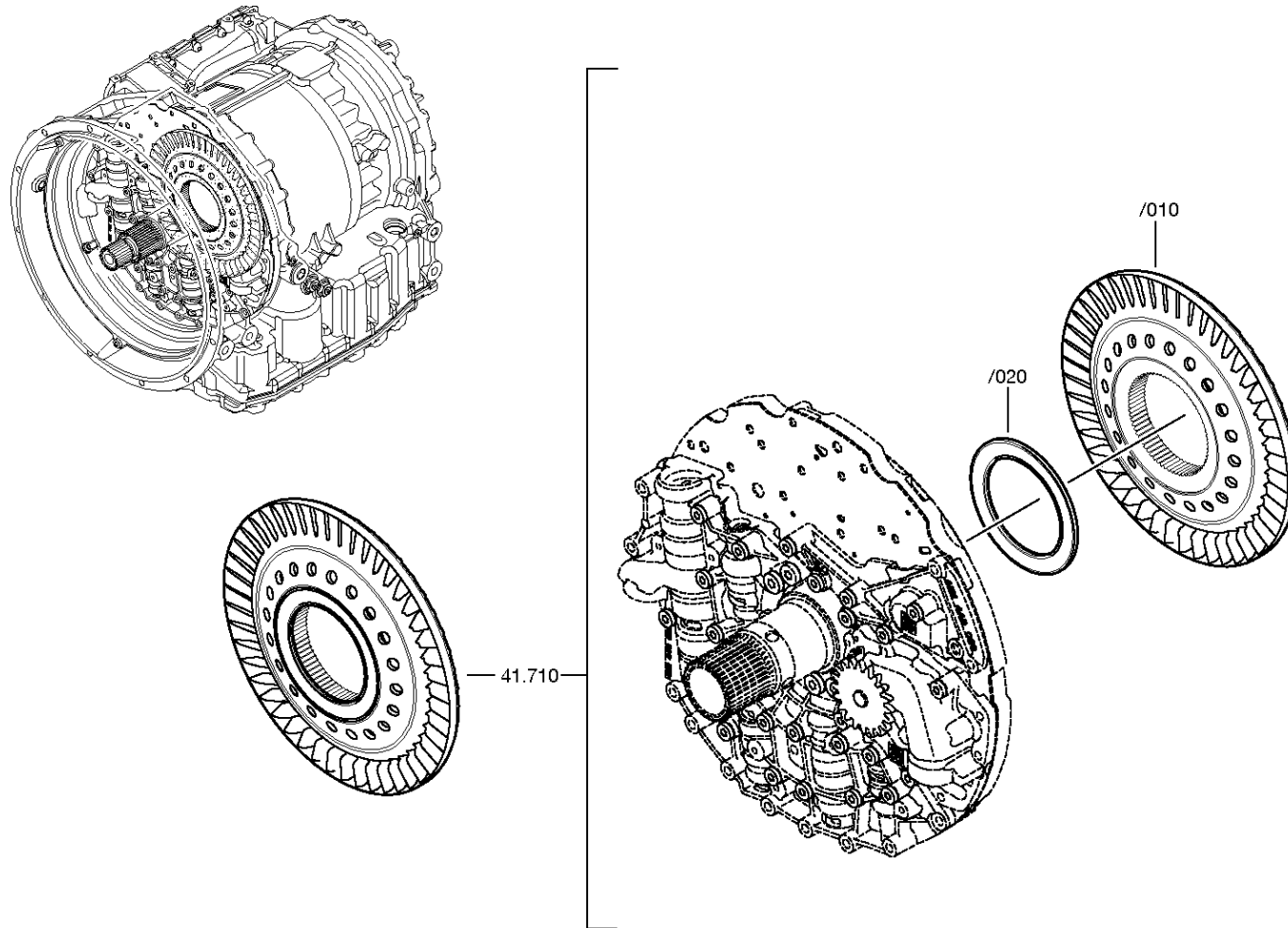
Material number: 4181.040.009

Picture: 130.41.01-3

Material-assembly-group-no: 4181.141.052



6 AP 1400 B / ()  
OIL SUPPLY



# Picture

Page 4 from 4

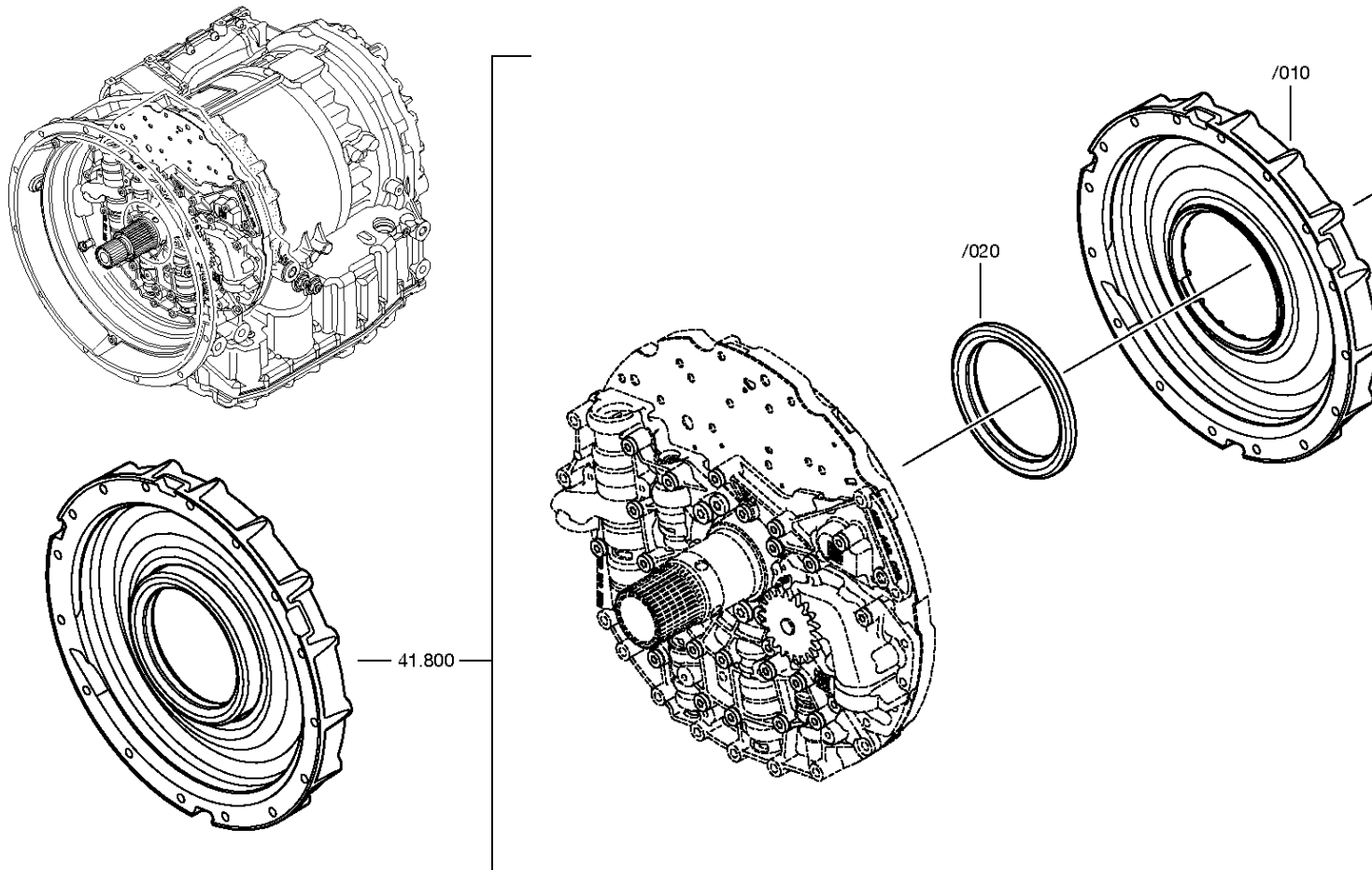
Material number: 4181.040.009

Picture: 130.41.01-4

Material-assembly-group-no: 4181.141.052



6 AP 1400 B / ()  
OIL SUPPLY



# Picture

Page 1 from 1

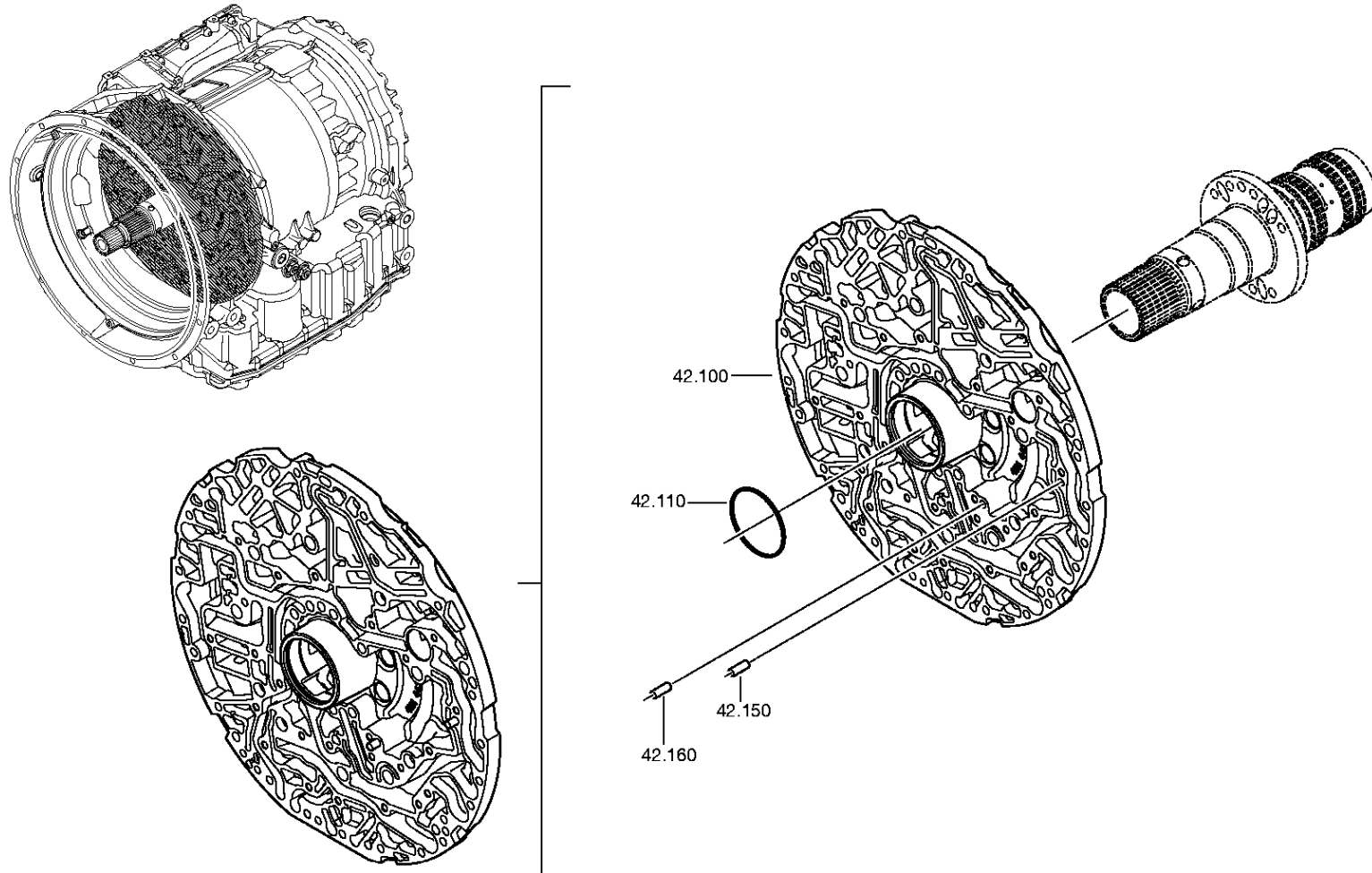
Material number: 4181.040.009

Picture: 130.42.01-1

Material-assembly-group-no: 4181.142.005



6 AP 1400 B / ()  
OIL FEED FLANGE



# Picture

Page 1 from 1

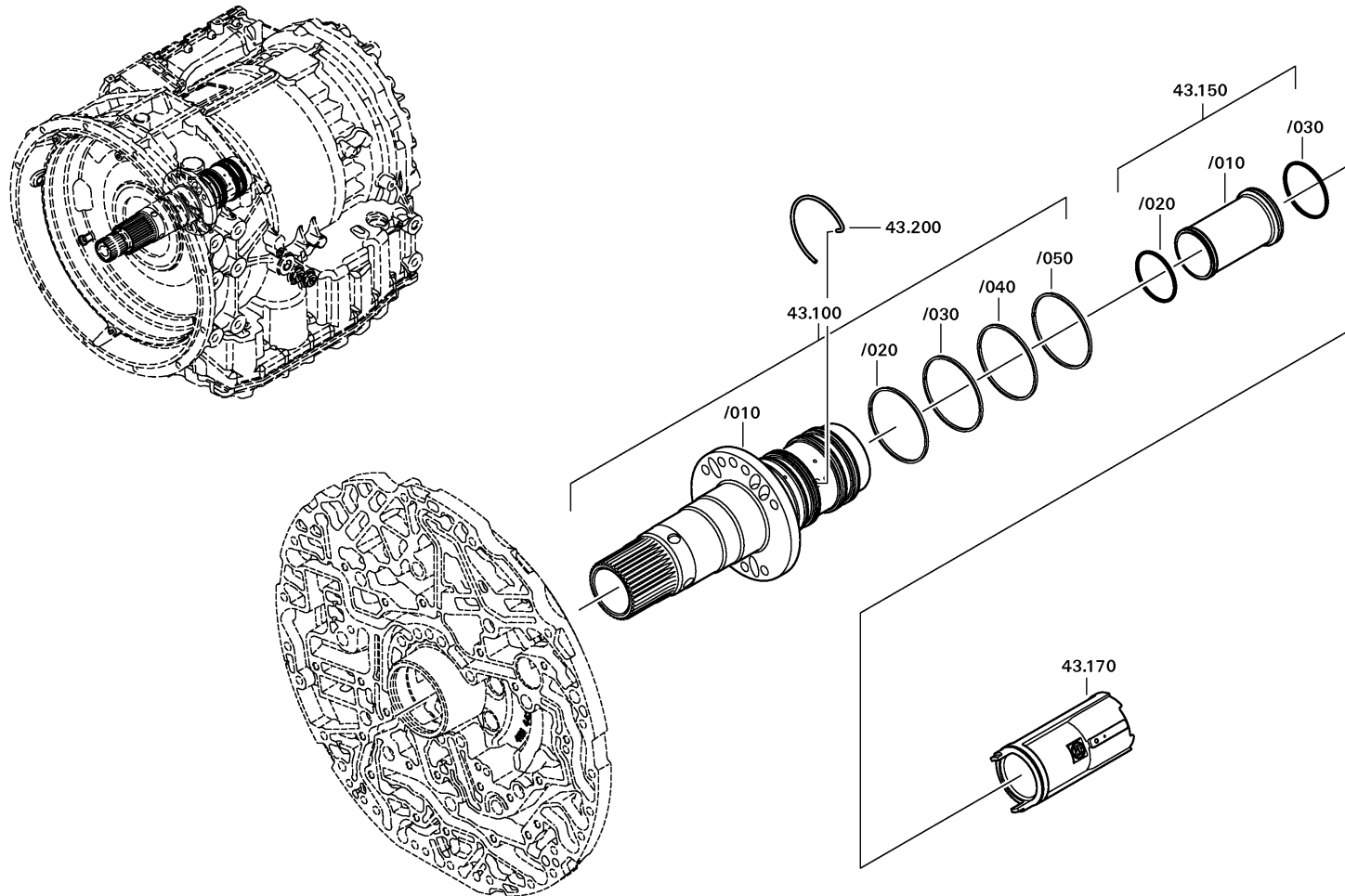
Material number: 4181.040.009

Picture: 130.043.001-1

Material-assembly-group-no: 4181.143.010



6 AP 1400 B / ()  
STATOR SHAFT



# Picture

Page 1 from 2

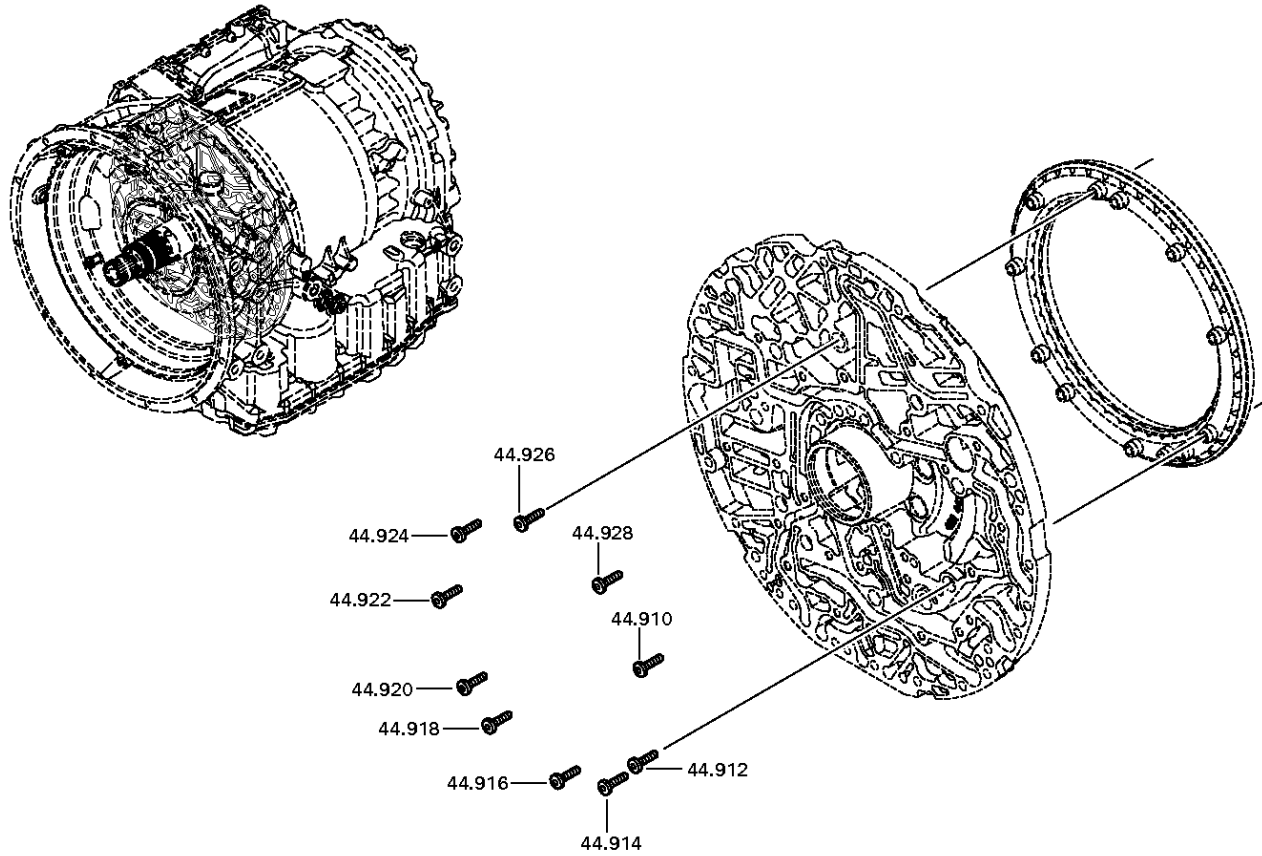
Material number: 4181.040.009

Picture: 130.44.82-1

Material-assembly-group-no: 4181.144.802



6 AP 1400 B / ()  
STATOR RING



# Picture

Page 2 from 2

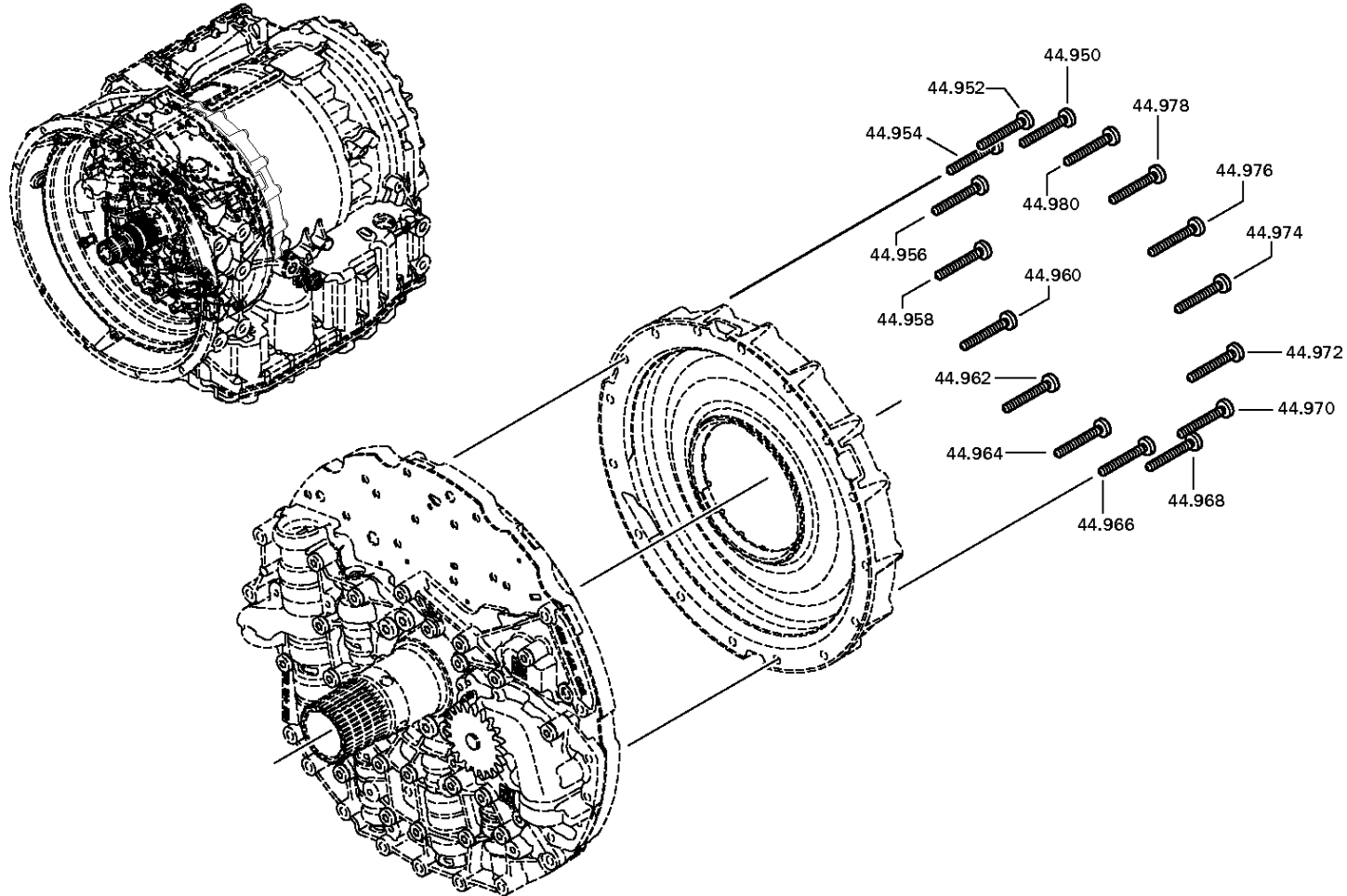
Material number: 4181.040.009

Picture: 130.44.81-1

Material-assembly-group-no: 4181.144.802



6 AP 1400 B / ()  
STATOR RING



# Picture

Page 1 from 3

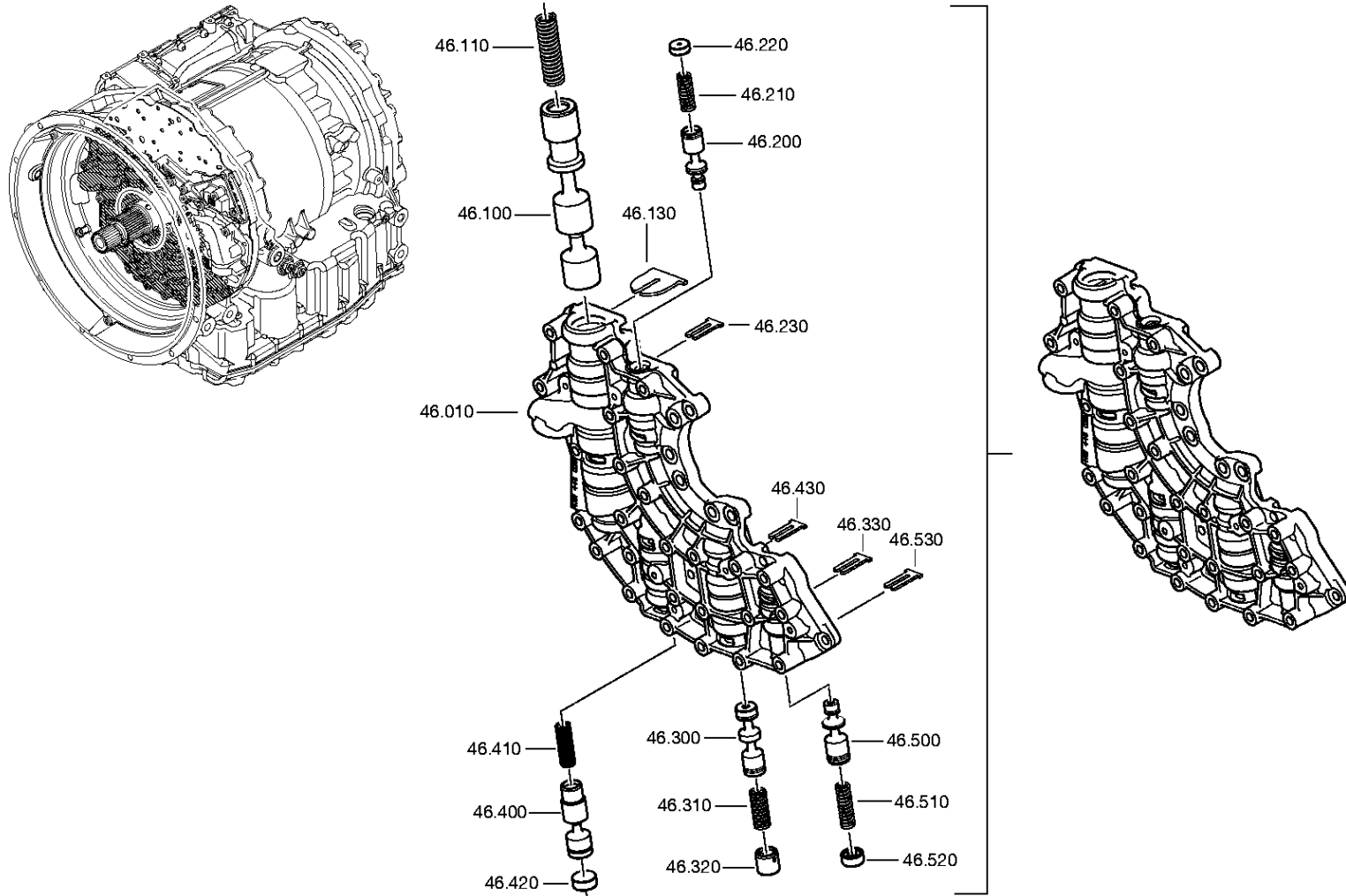
Material number: 4181.040.009

Picture: 130.46.01-1

Material-assembly-group-no: 4181.146.005



6 AP 1400 B / ()  
VALVE HOUSING



# Picture

Page 2 from 3

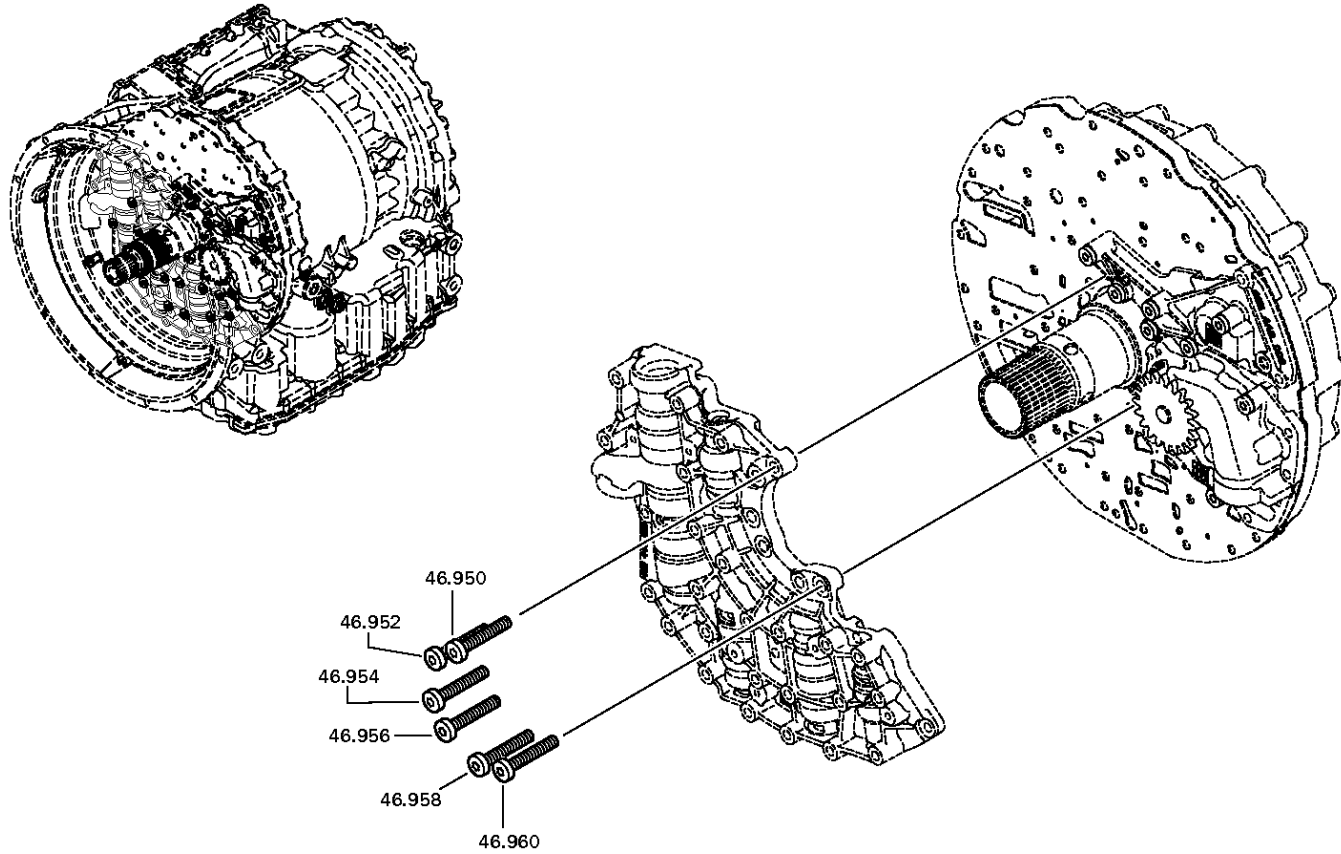
Material number: 4181.040.009

Picture: 130.46.80-1

Material-assembly-group-no: 4181.146.005



6 AP 1400 B / ()  
VALVE HOUSING



# Picture

Page 3 from 3

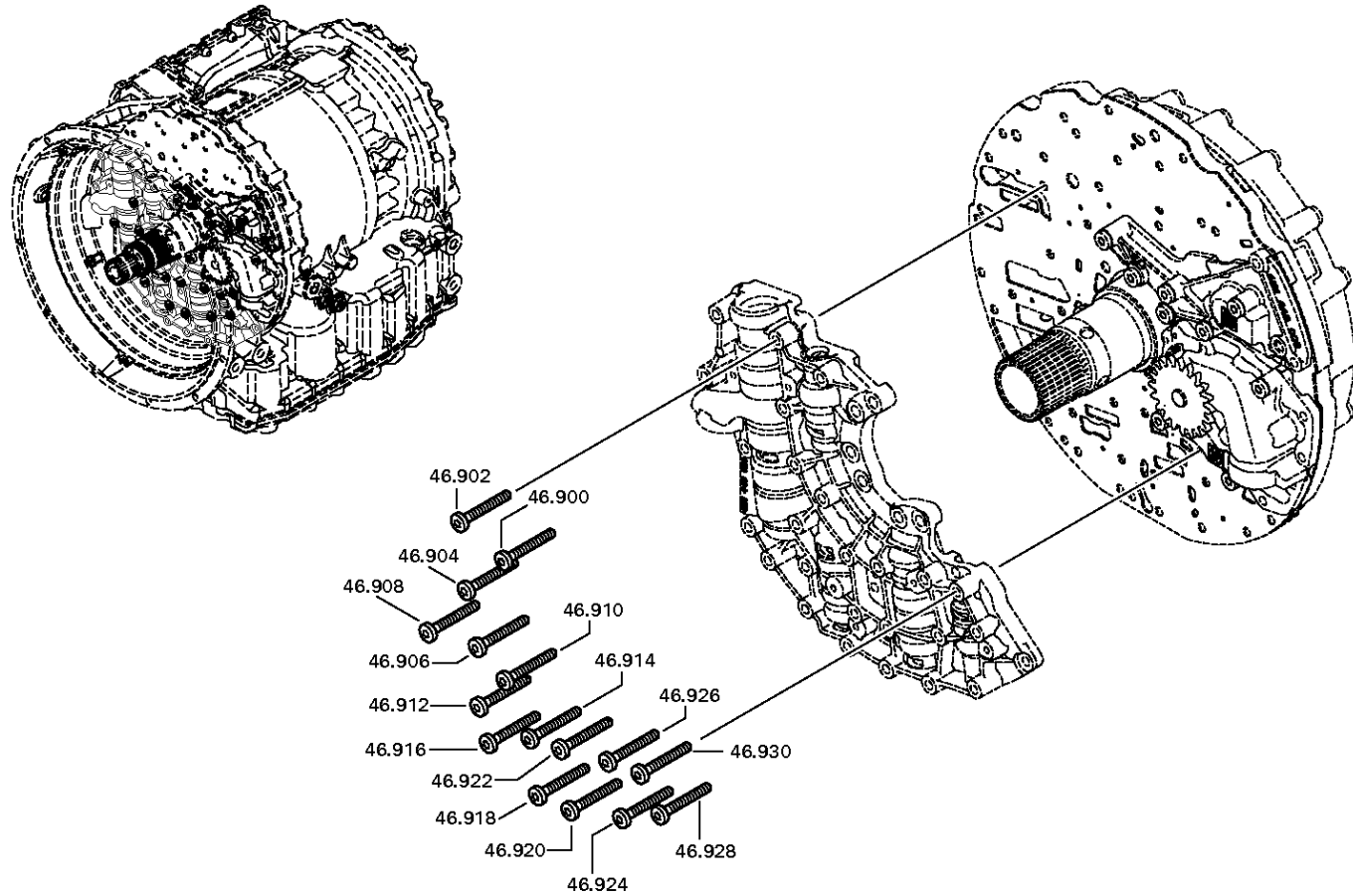
Material number: 4181.040.009

Picture: 130.46.80-2

Material-assembly-group-no: 4181.146.005



6 AP 1400 B / ()  
VALVE HOUSING



# Picture

Page 1 from 2

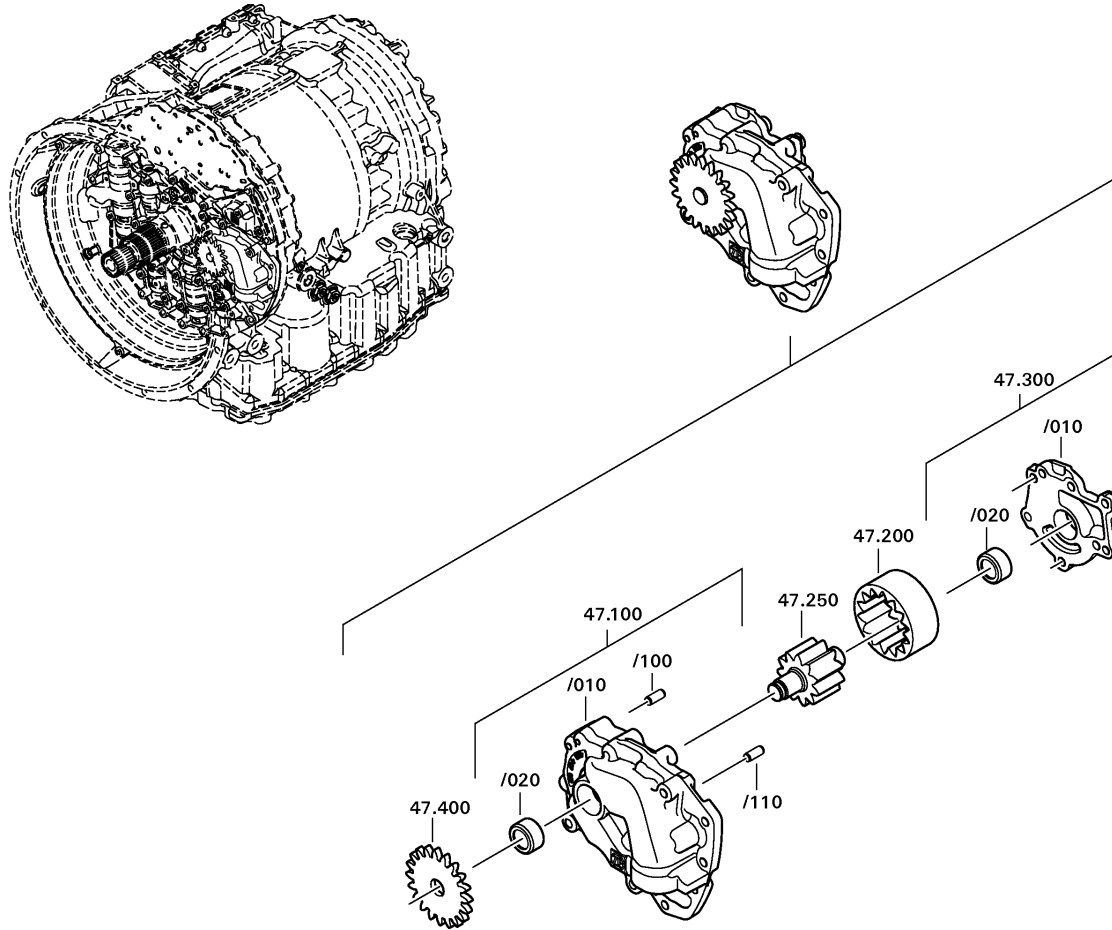
Material number: 4181.040.009

Picture: 130.47.01-1

Material-assembly-group-no: 4181.147.007



6 AP 1400 B / ()  
PRIMARY PUMP



# Picture

Page 2 from 2

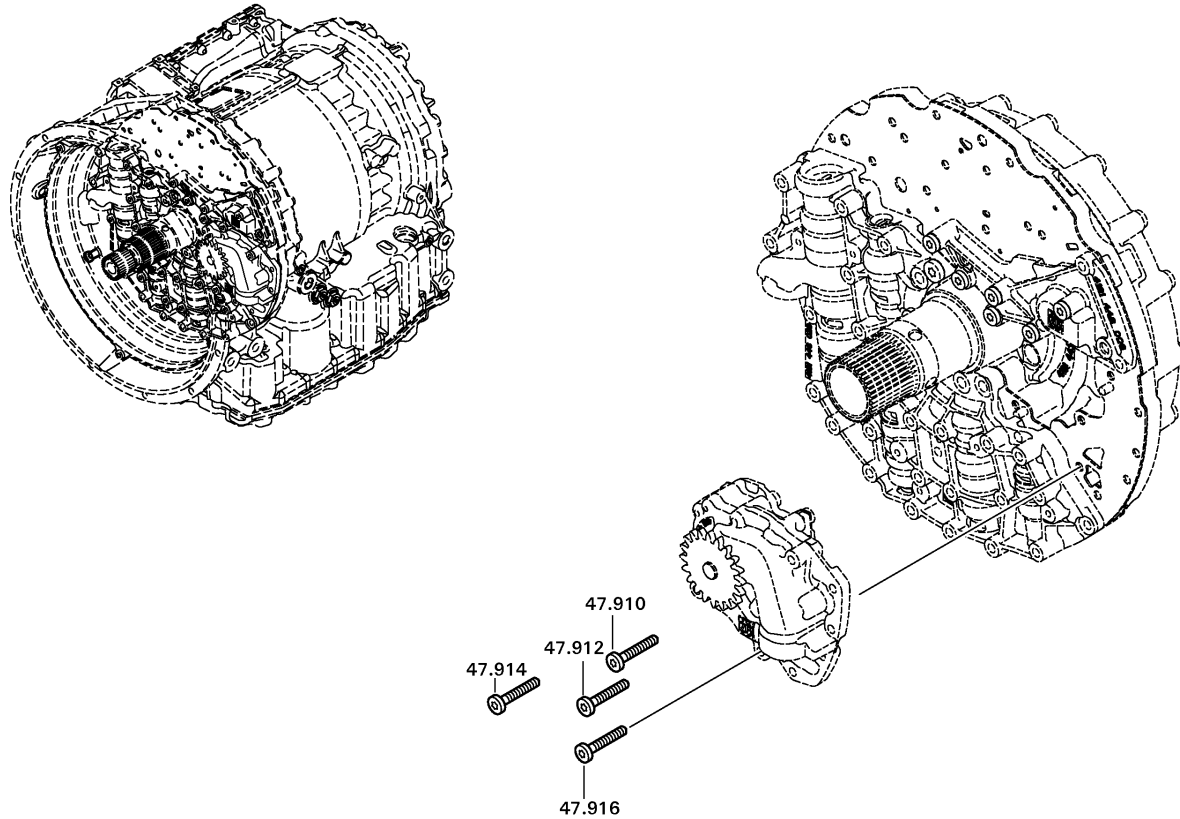
Material number: 4181.040.009

Picture: 130.47.50-1

Material-assembly-group-no: 4181.147.007



6 AP 1400 B / ()  
PRIMARY PUMP



# Picture

Page 1 from 1

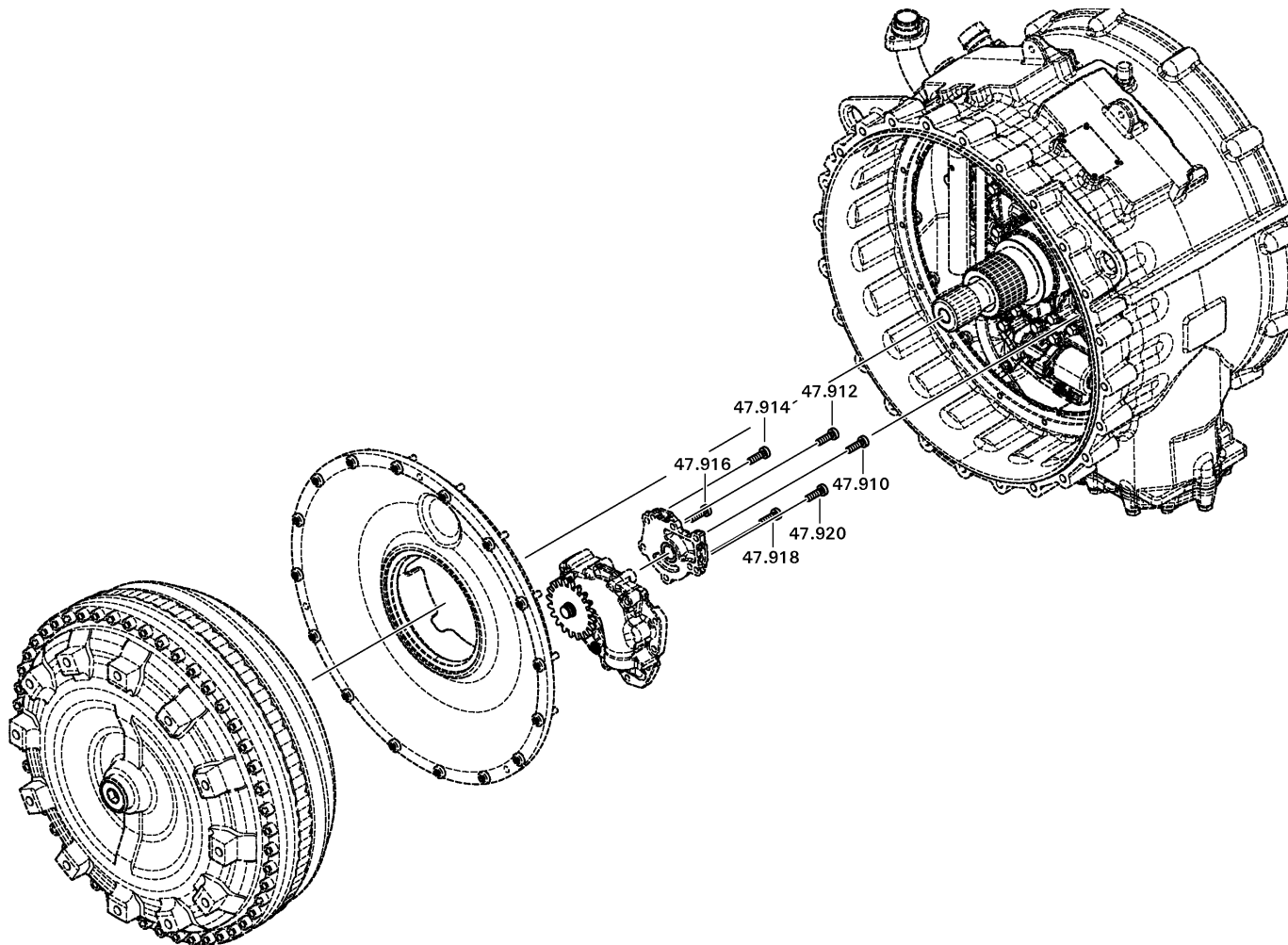
Material number: 4181.040.009

Picture: 130.048.080-1

Material-assembly-group-no: 4181.147.803



6 AP 1400 B / ()  
PUMP COVER



# Picture

Page 1 from 1

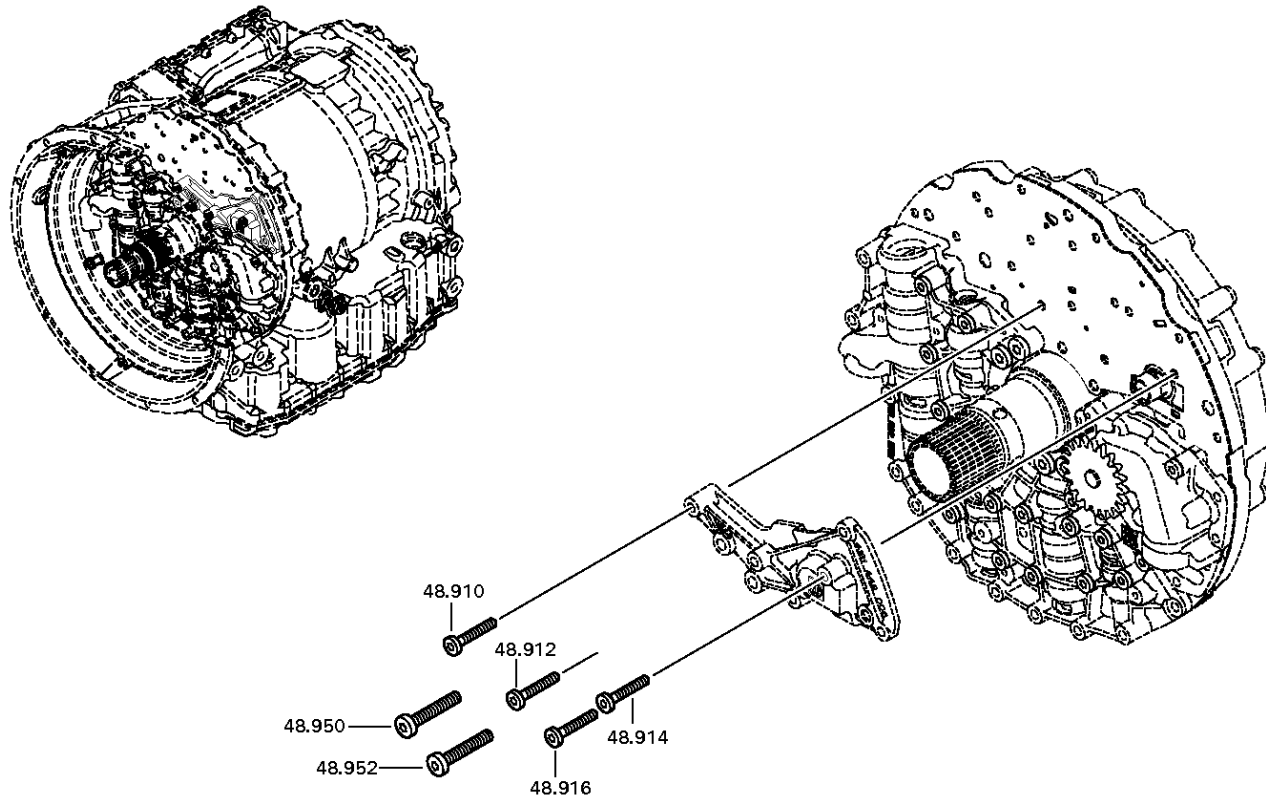
Material number: 4181.040.009

Picture: 130.49.80-1

Material-assembly-group-no: 4181.148.801



6 AP 1400 B / ()  
SUPPORTING PLATE



# Picture

Page 1 from 1

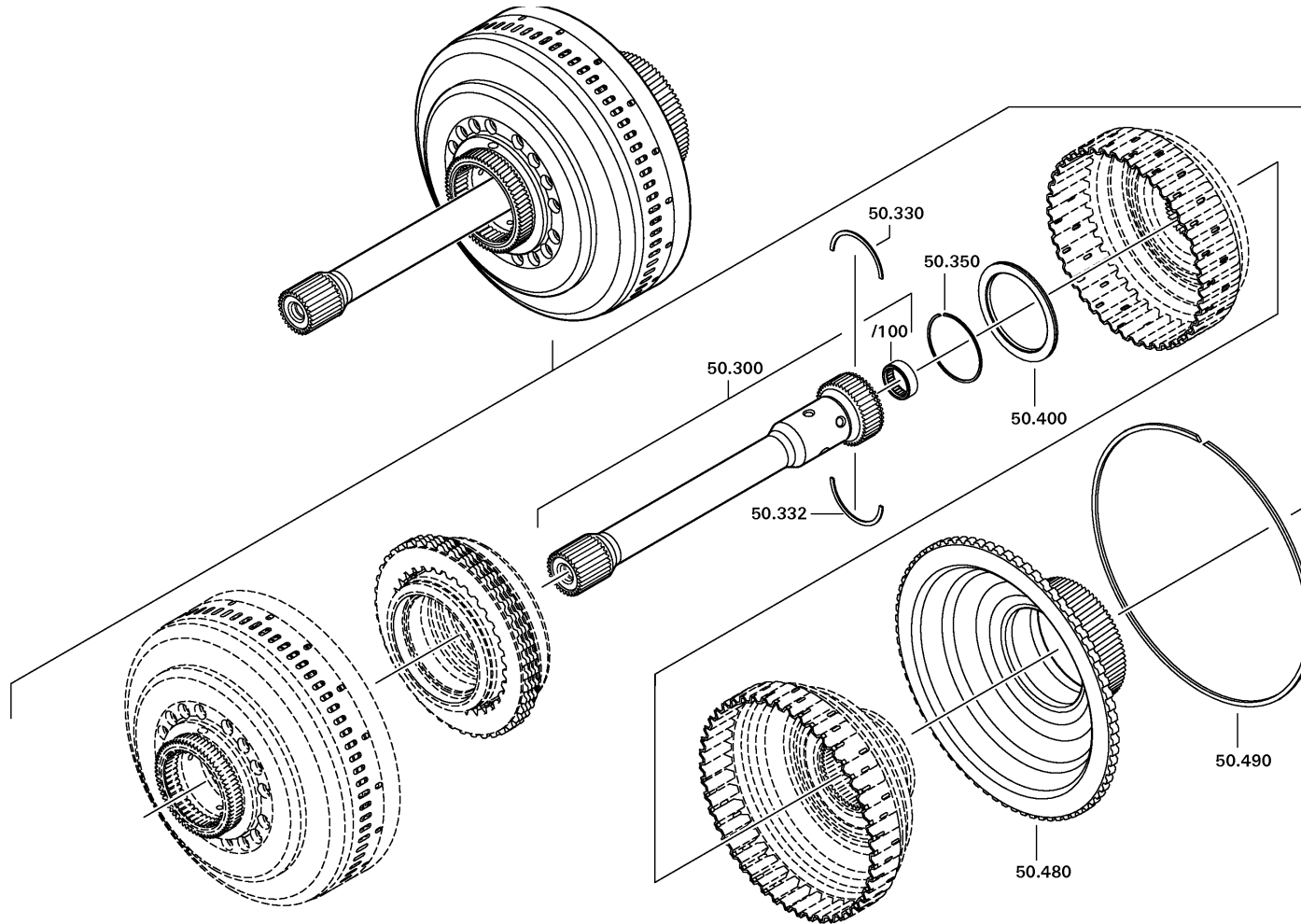
Material number: 4181.040.009

Picture: 130.50.01-1

Material-assembly-group-no: 4181.150.031



6 AP 1400 B / ()  
CLUTCH UNIT A+B



# Picture

Page 1 from 2

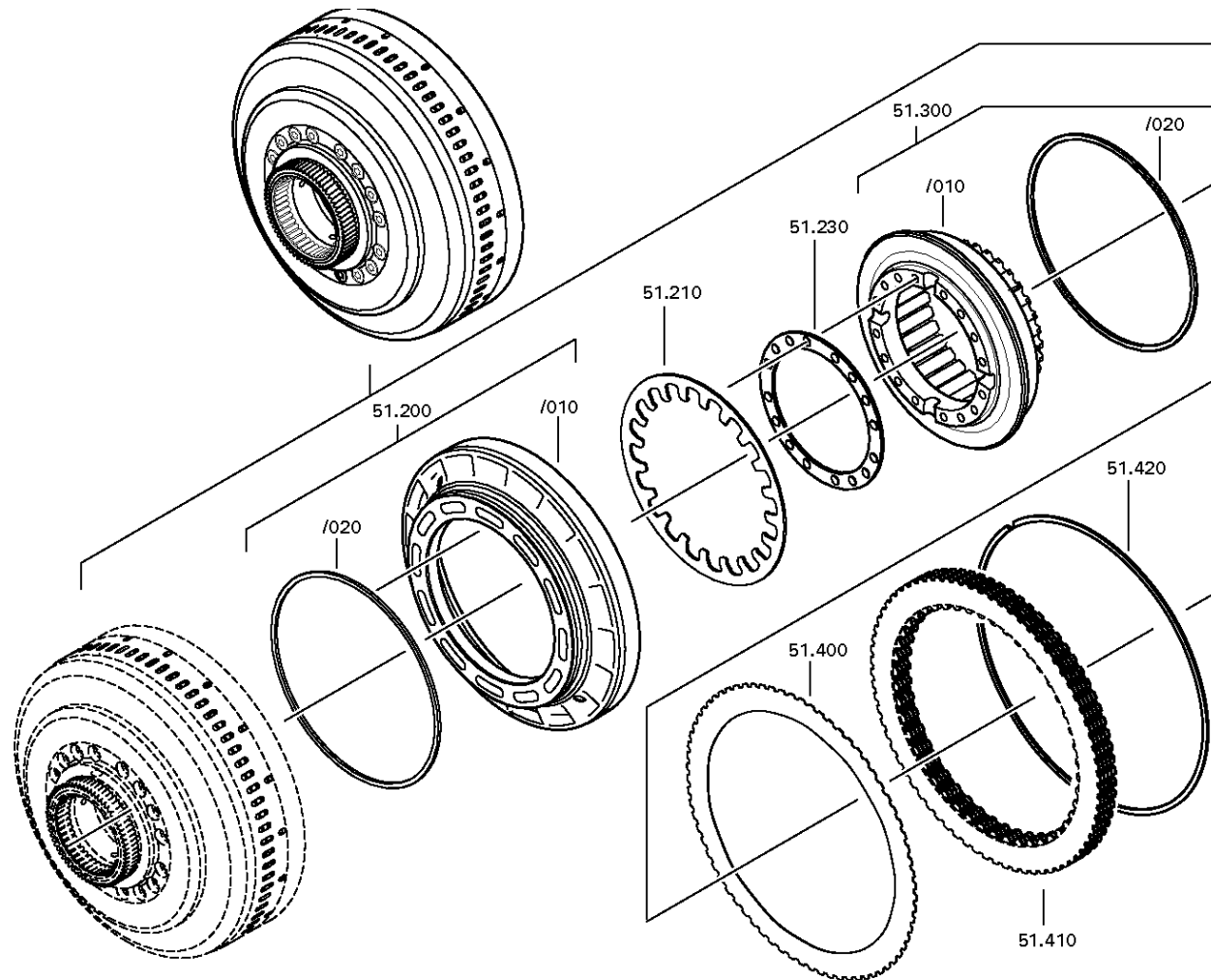
Material number: 4181.040.009

Picture: 130.51.01-1

Material-assembly-group-no: 4181.151.031



6 AP 1400 B / ()  
COUPLING



# Picture

Page 2 from 2

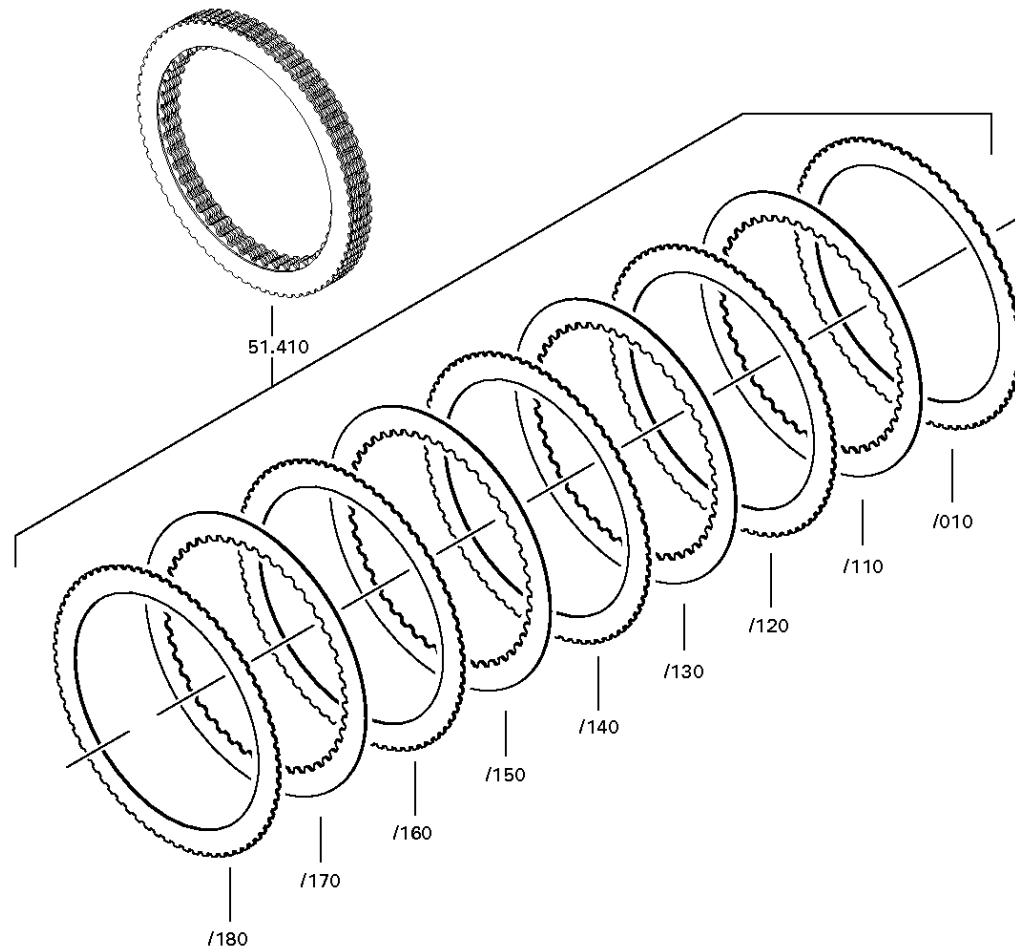
Material number: 4181.040.009

Picture: 130.51.01-2

Material-assembly-group-no: 4181.151.031



6 AP 1400 B / ()  
COUPLING



# Picture

Page 1 from 2

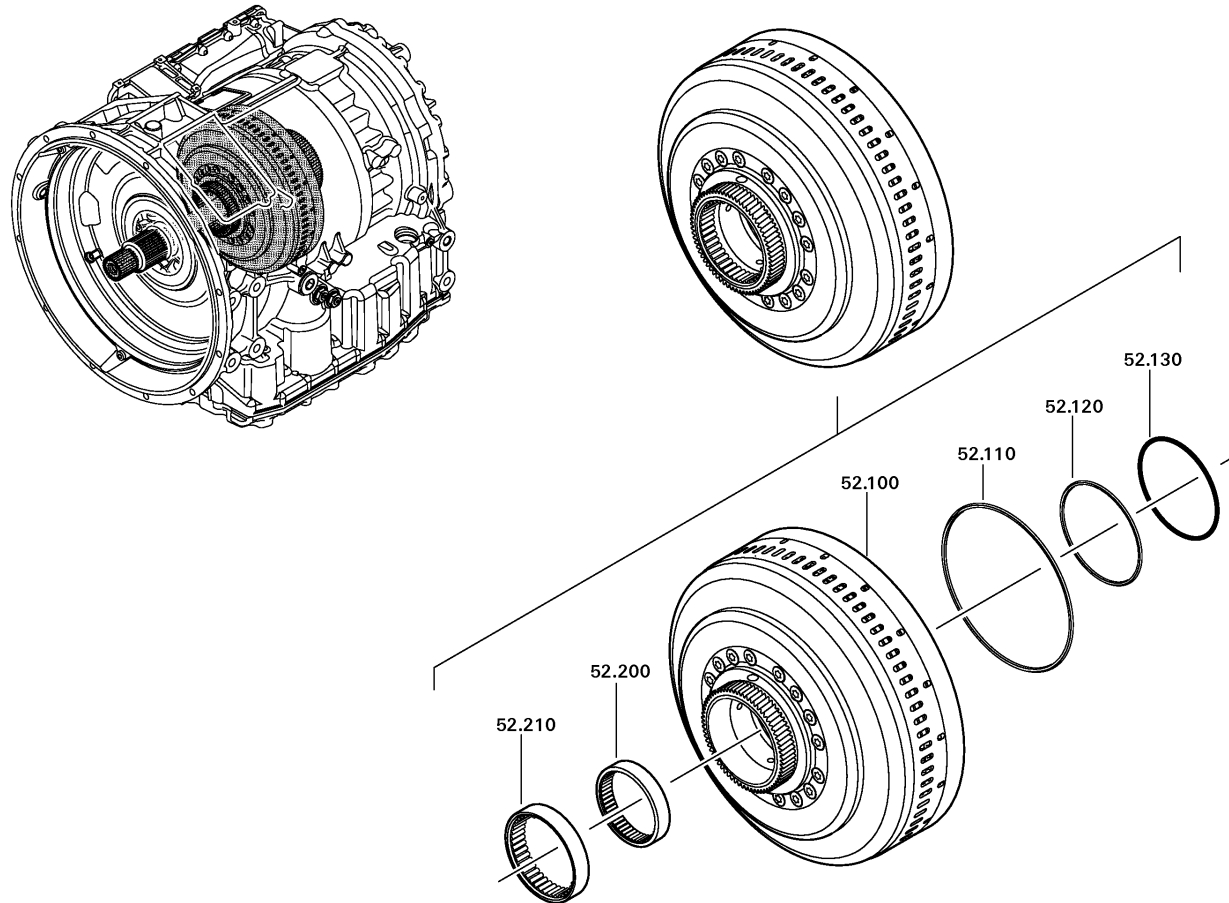
Material number: 4181.040.009

Picture: 130.052.001-1

Material-assembly-group-no: 4181.152.007



6 AP 1400 B / ()  
HUB



# Picture

Page 2 from 2

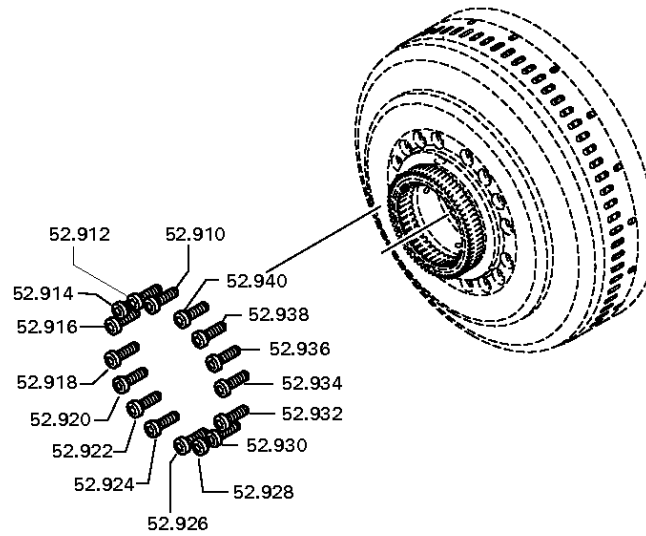
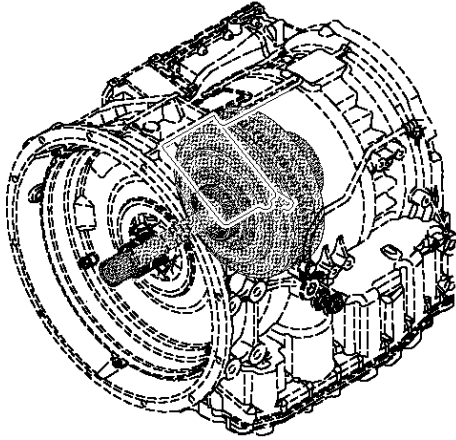
Material number: 4181.040.009

Picture: 130.52.80-1

Material-assembly-group-no: 4181.152.007



6 AP 1400 B / ()  
HUB



# Picture

Page 1 from 2

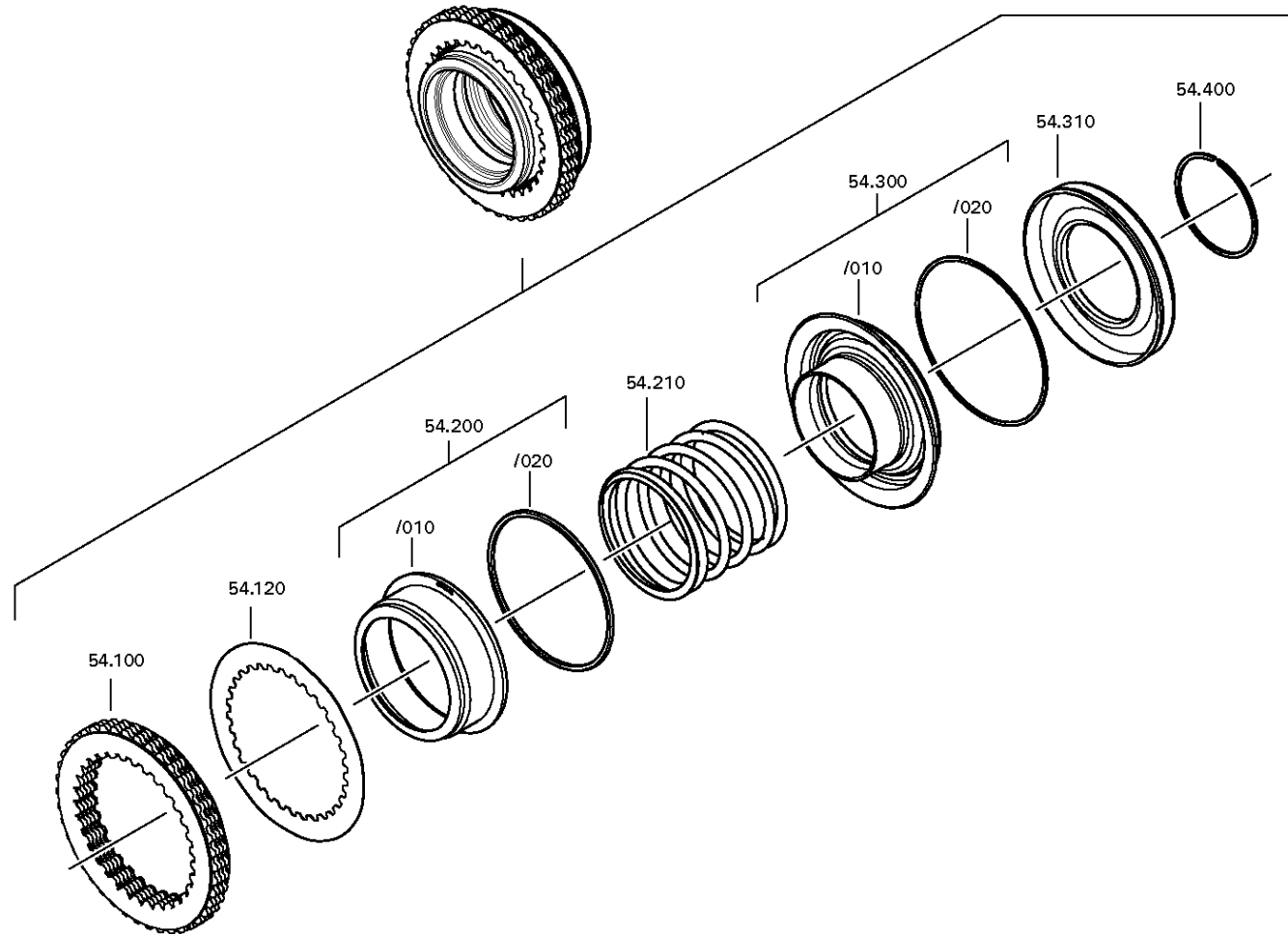
Material number: 4181.040.009

Picture: 130.54.03-1

Material-assembly-group-no: 4181.154.031



6 AP 1400 B / ()  
COUPLING A



# Picture

Page 2 from 2

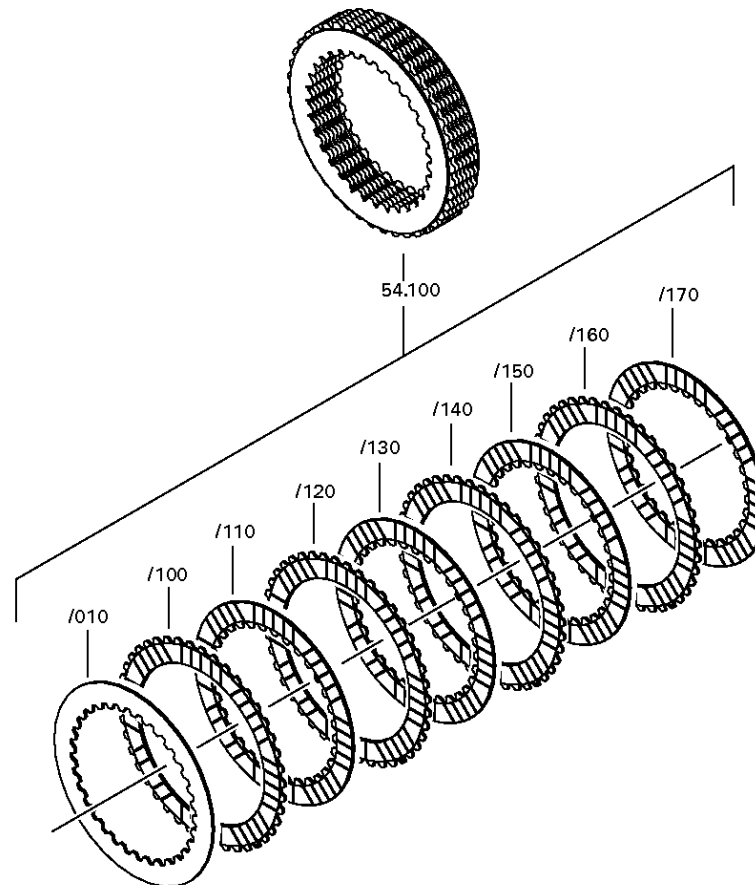
Material number: 4181.040.009

Picture: 130.54.03-2

Material-assembly-group-no: 4181.154.031



6 AP 1400 B / ()  
COUPLING A



# Picture

Page 1 from 1

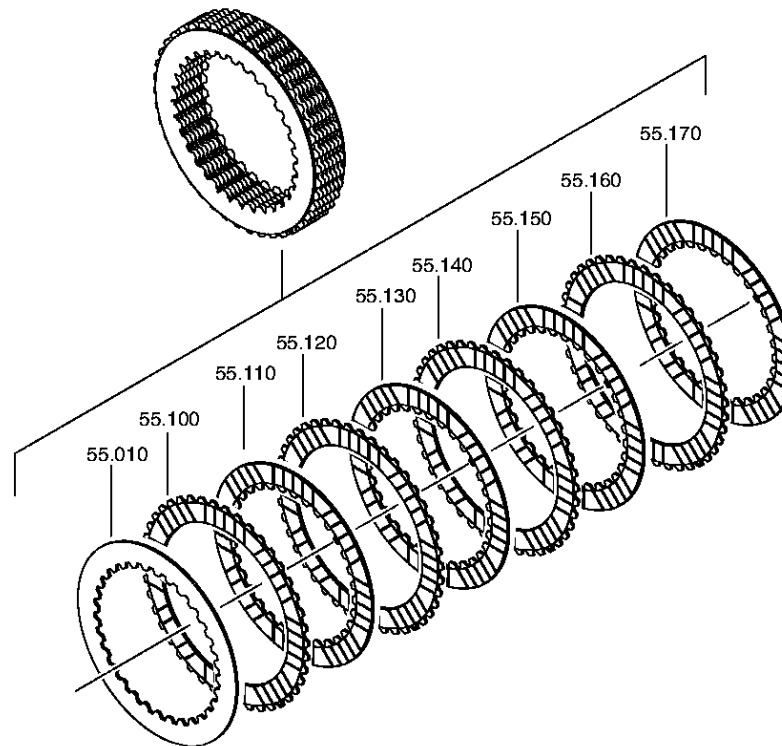
Material number: 4181.040.009

Picture: 130.55.02-1

Material-assembly-group-no: 4181.155.011



6 AP 1400 B / ()  
MULTIDISK PACKAGE



# Picture

Page 1 from 1

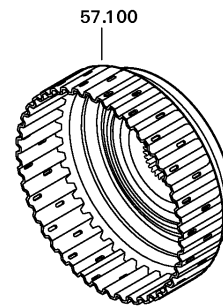
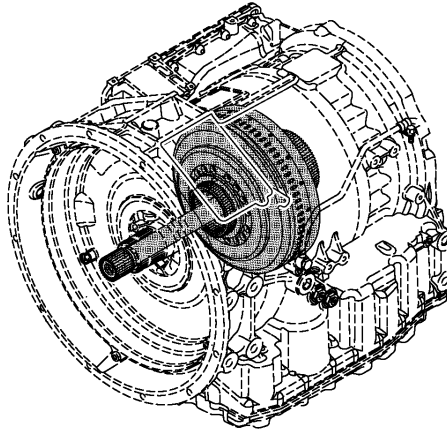
Material number: 4181.040.009

Picture: 130.57.01-1

Material-assembly-group-no: 4181.157.002



6 AP 1400 B / ()  
INPUT SHAFT



# Picture

Page 1 from 1

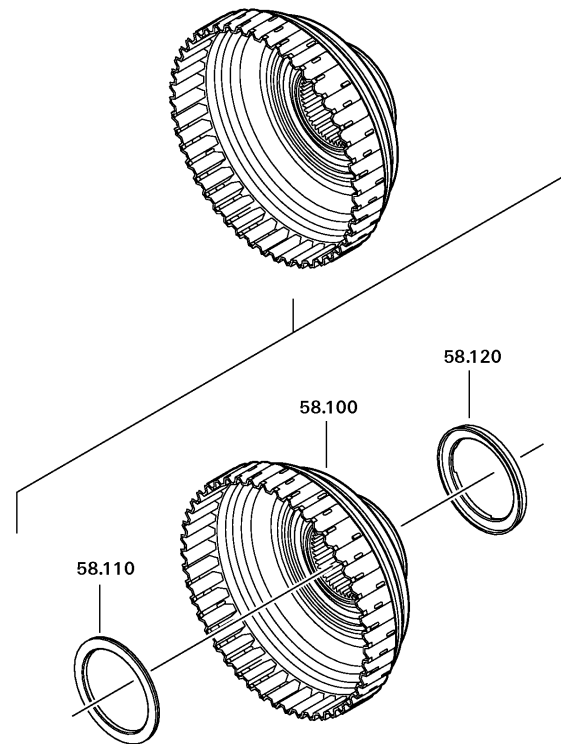
Material number: 4181.040.009

Picture: 130.58.01-1

Material-assembly-group-no: 4181.158.006



6 AP 1400 B / ()  
QUILL SHAFT



# Picture

Page 1 from 2

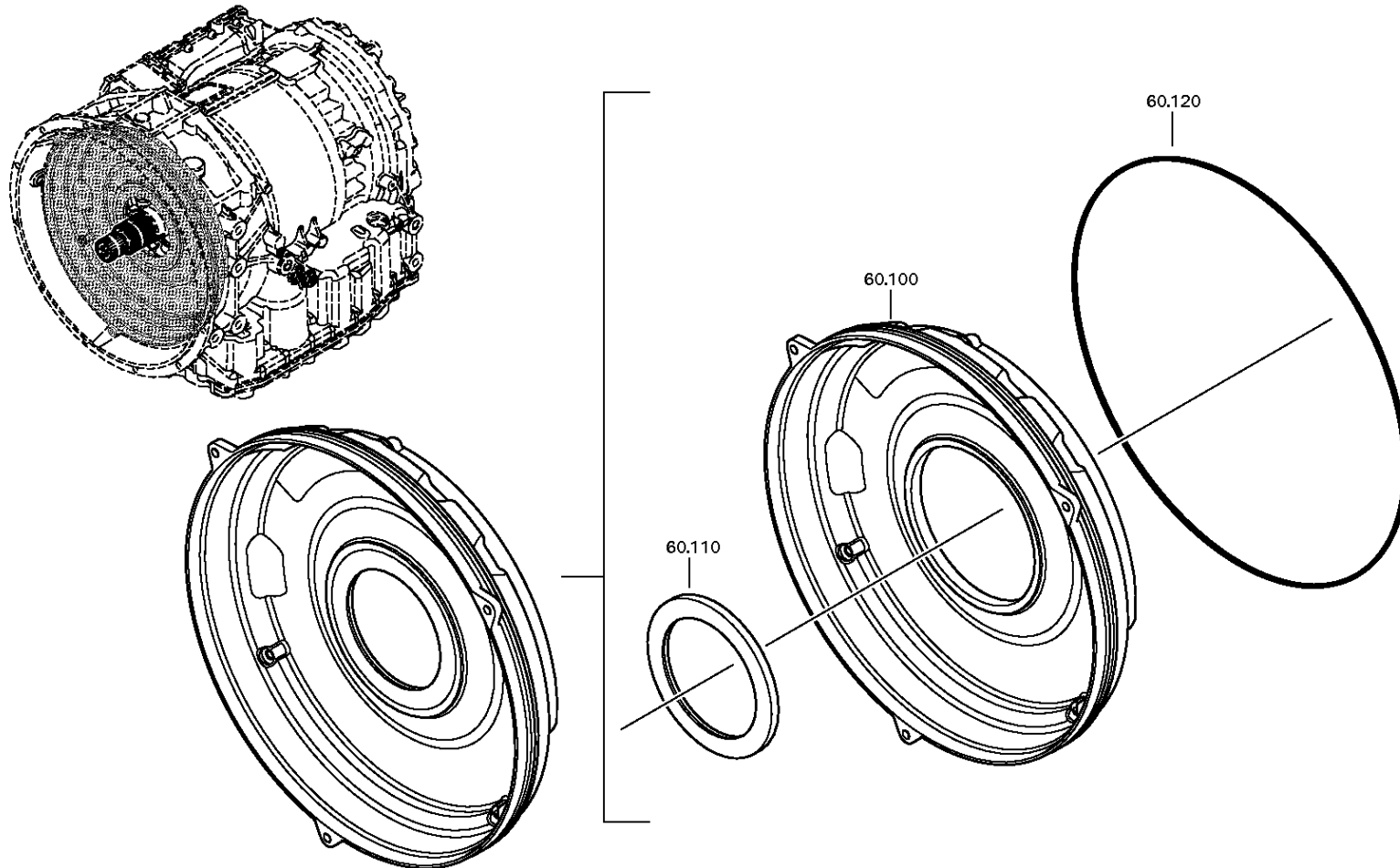
Material number: 4181.040.009

Picture: 130.60.01-1

Material-assembly-group-no: 4181.160.004



6 AP 1400 B / ()  
COVER PLATE



# Picture

Page 2 from 2

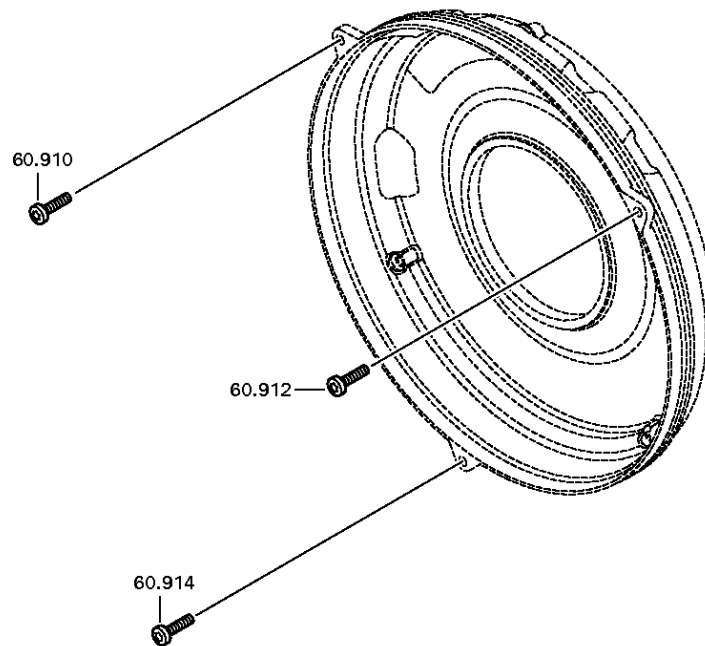
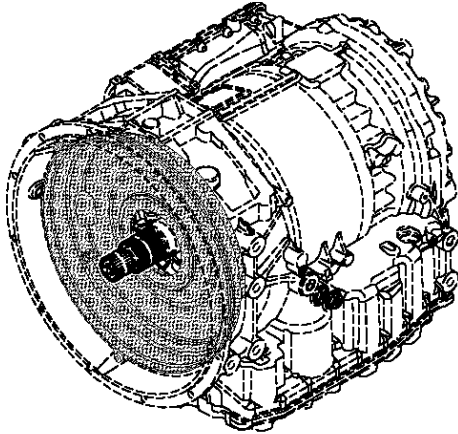
Material number: 4181.040.009

Picture: 130.60.80-1

Material-assembly-group-no: 4181.160.004



6 AP 1400 B / ()  
COVER PLATE



# Picture

Page 1 from 3

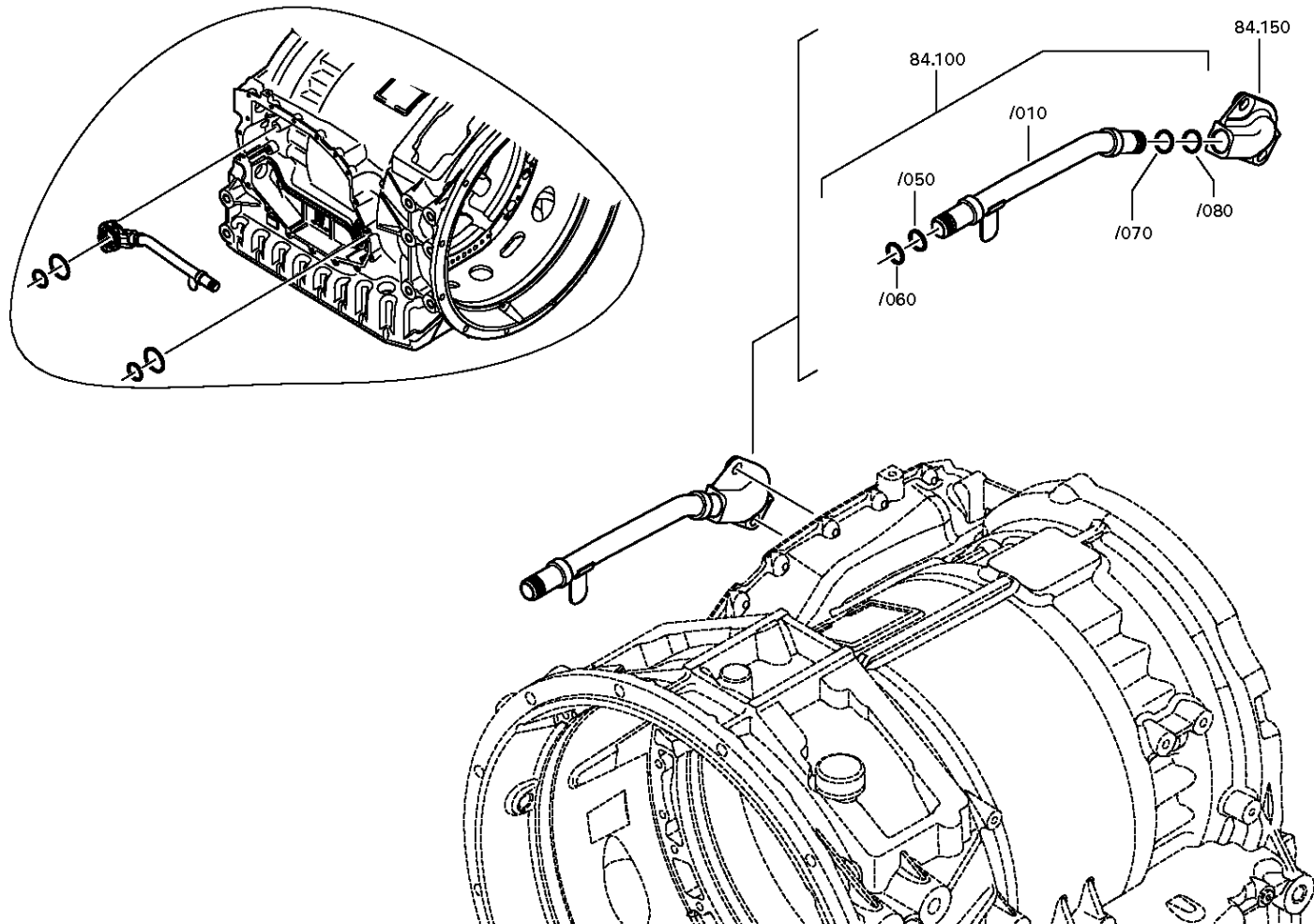
Material number: 4181.040.009

Picture: 130.68.01-1

Material-assembly-group-no: 4181.184.006



6 AP 1400 B / ()  
OIL TUBE



# Picture

Page 2 from 3

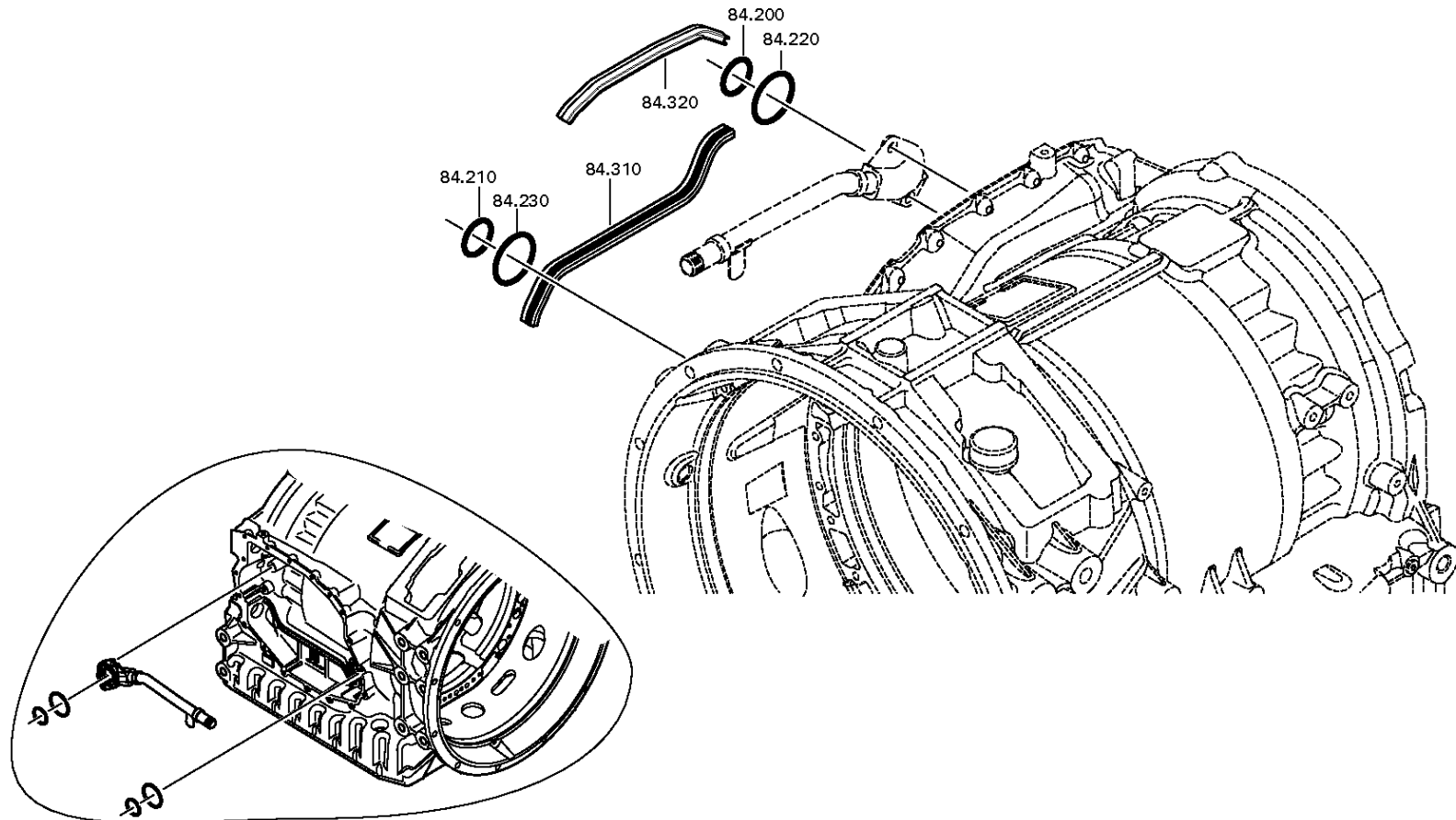
Material number: 4181.040.009

Picture: 130.68.80-1

Material-assembly-group-no: 4181.184.006



6 AP 1400 B / ()  
OIL TUBE



# Picture

Page 3 from 3

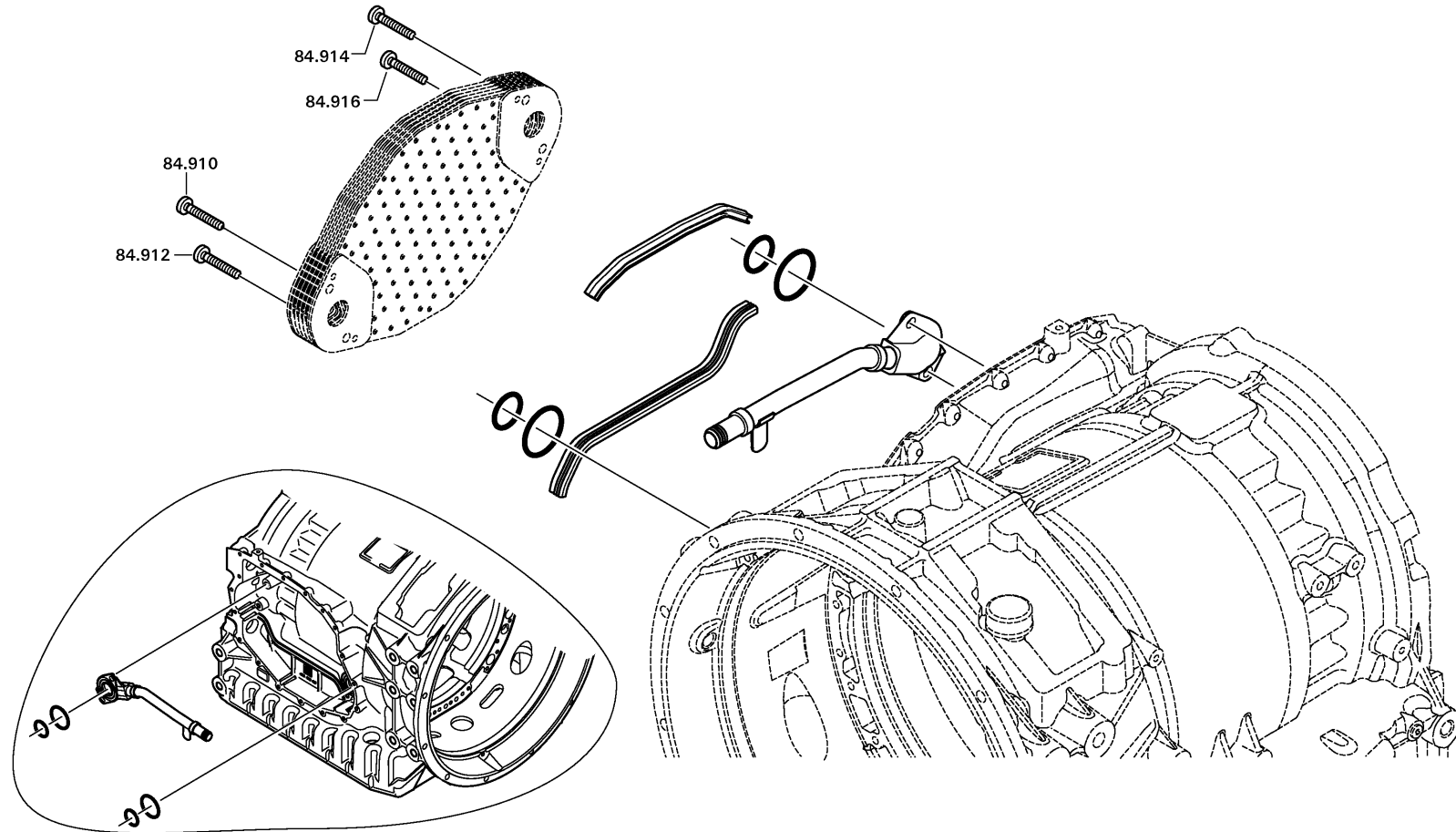
Material number: 4181.040.009

Picture: 130.68.81-1

Material-assembly-group-no: 4181.184.006



6 AP 1400 B / ()  
OIL TUBE



# Picture

Page 1 from 4

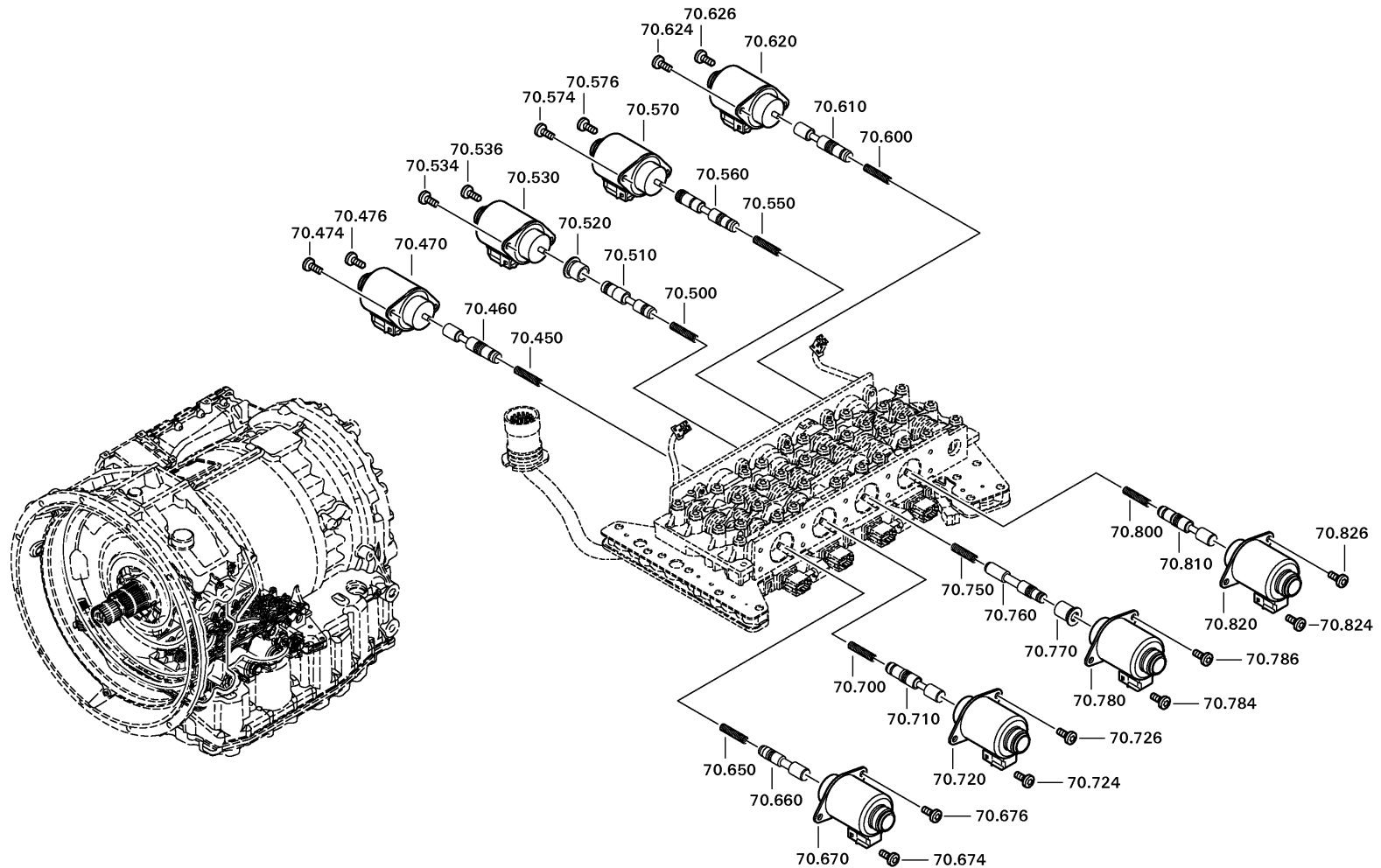
Material number: 4181.040.009

Picture: 130.070.001-1

Material-assembly-group-no: 4181.170.016



6 AP 1400 B / ()  
SHIFT CONTROL



# Picture

Page 2 from 4

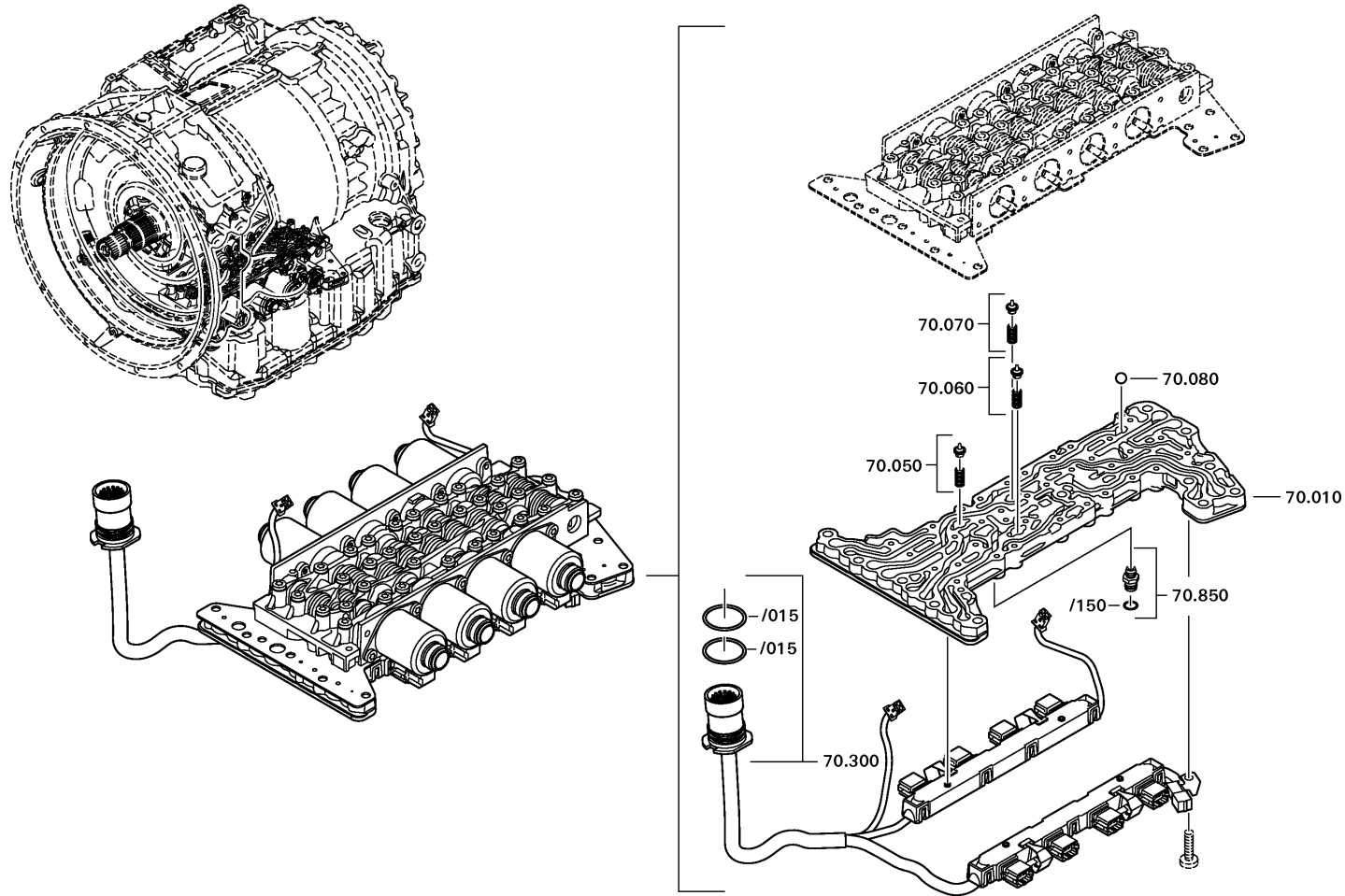
Material number: 4181.040.009

Picture: 130.070.001-2

Material-assembly-group-no: 4181.170.016



6 AP 1400 B / ()  
SHIFT CONTROL



# Picture

Page 3 from 4

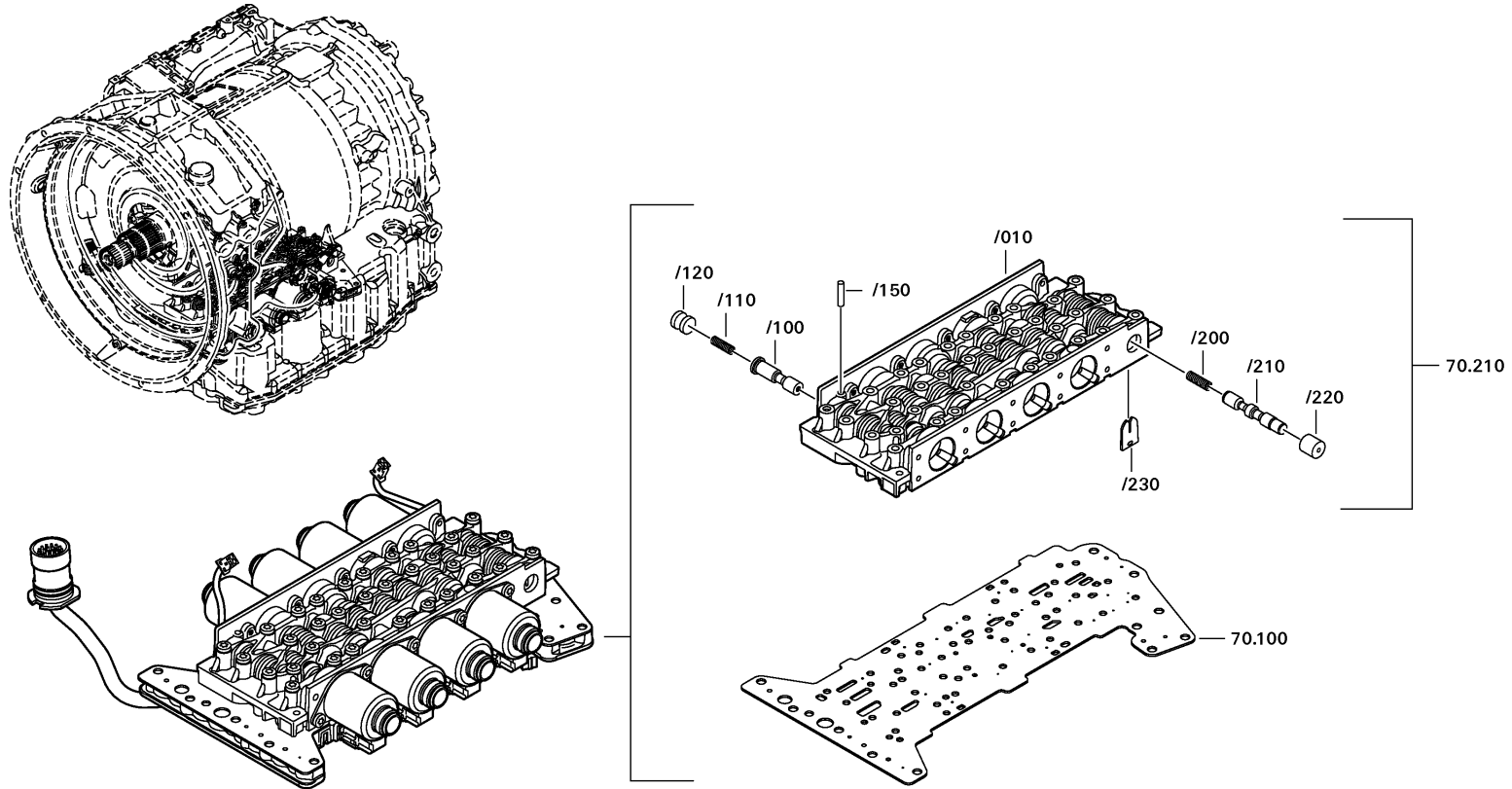
Material number: 4181.040.009

Picture: 130.070.001-3

Material-assembly-group-no: 4181.170.016



6 AP 1400 B / ( )  
SHIFT CONTROL



# Picture

Page 4 from 4

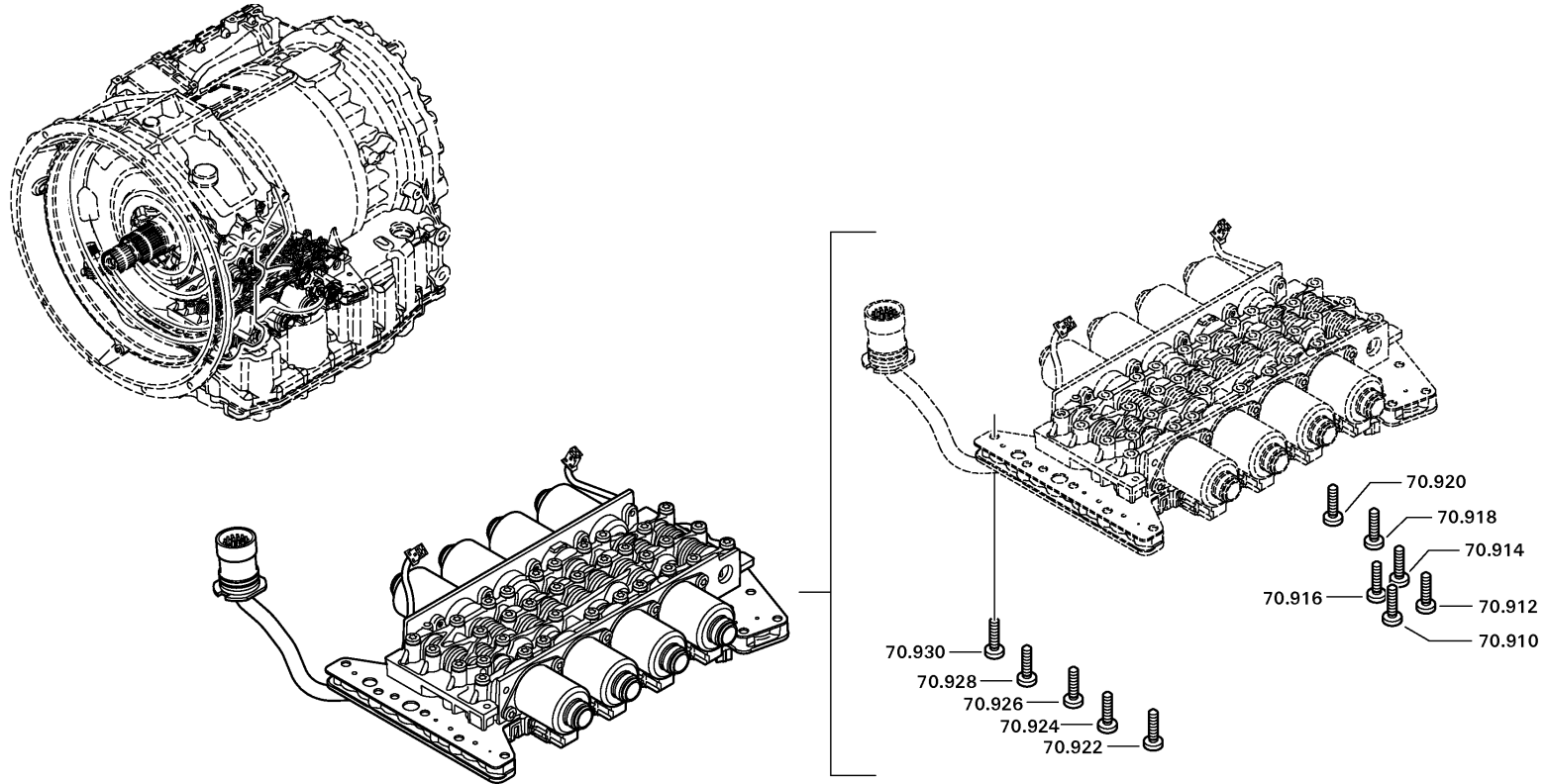
Material number: 4181.040.009

Picture: 130.70.81-1

Material-assembly-group-no: 4181.170.016



6 AP 1400 B / ()  
SHIFT CONTROL



# Picture

Page 1 from 1

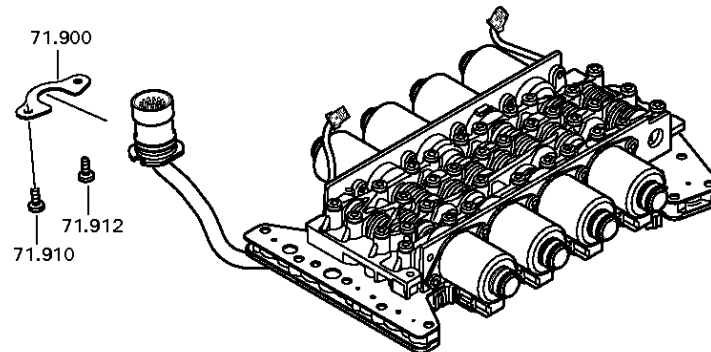
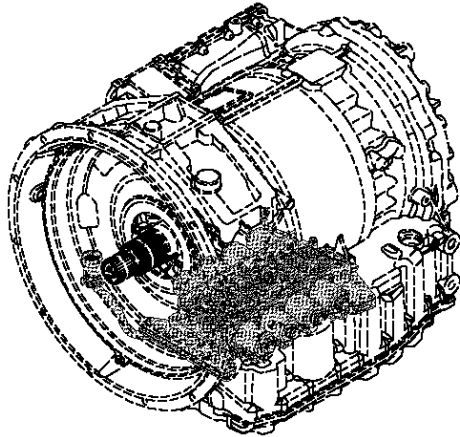
Material number: 4181.040.009

Picture: 130.71.80-1

Material-assembly-group-no: 4181.170.802



6 AP 1400 B / ()  
WIRING HARNESS



# Picture

Page 1 from 1

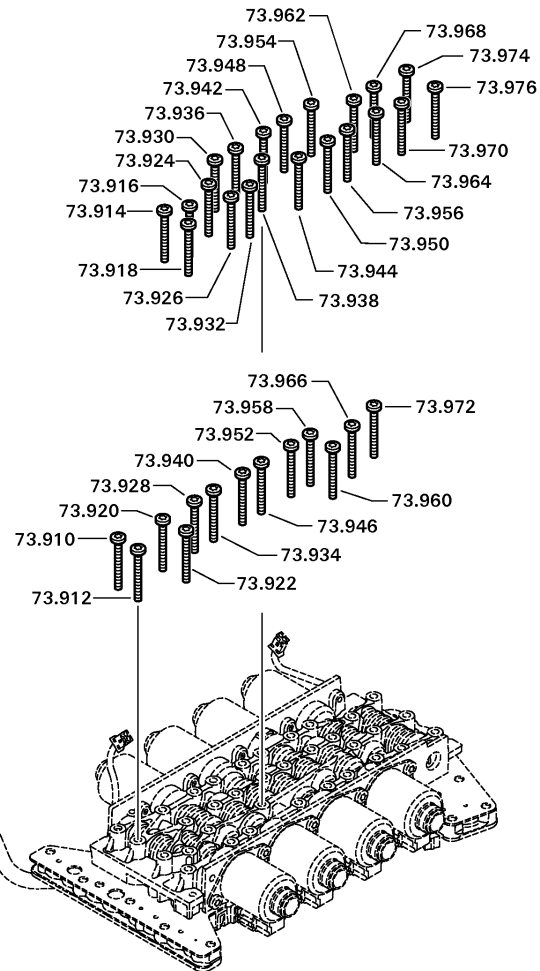
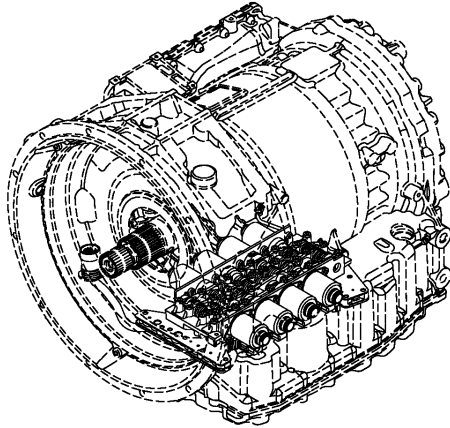
Material number: 4181.040.009

Picture: 130.73.80-1

Material-assembly-group-no: 4181.170.803



6 AP 1400 B / ()  
VALVE BLOCK



# Picture

Page 1 from 1

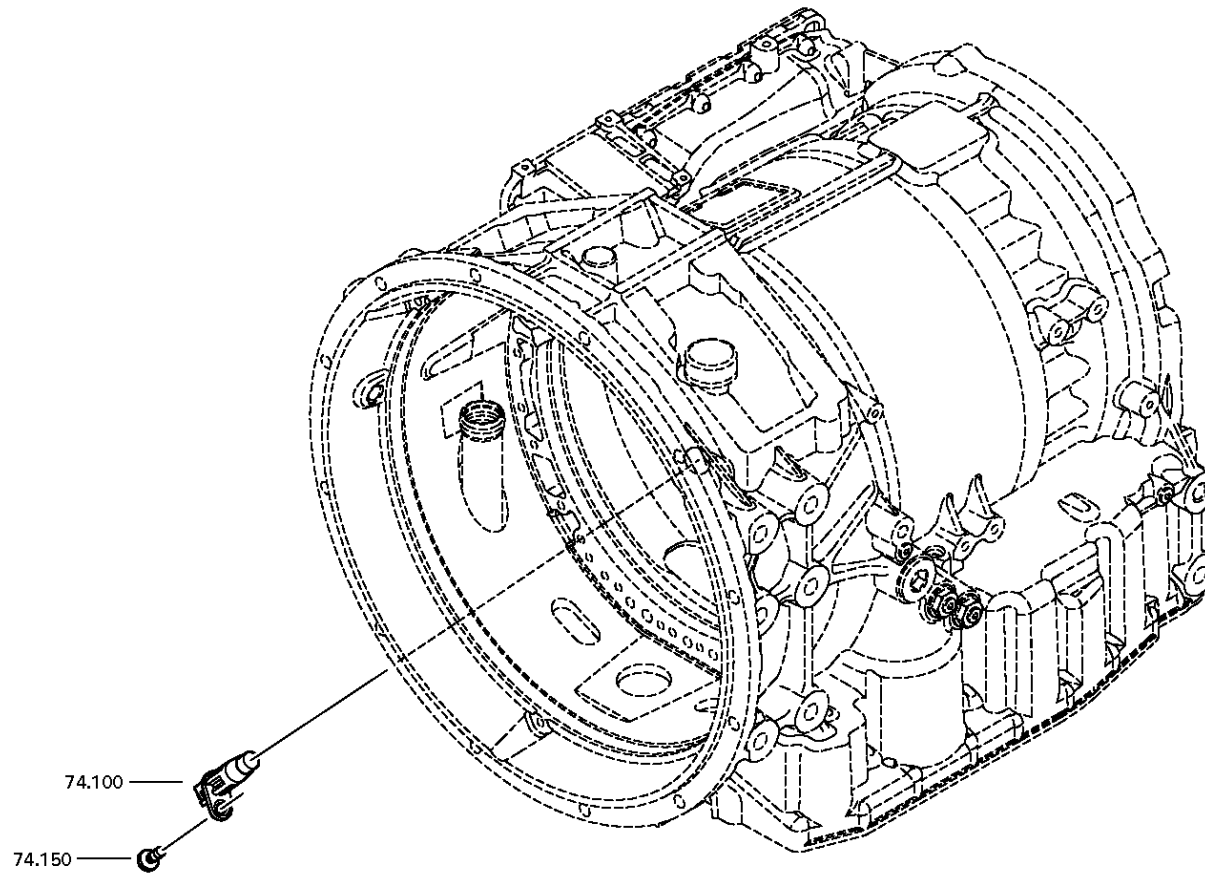
Material number: 4181.040.009

Picture: 130.74.02-1

Material-assembly-group-no: 4181.174.004



6 AP 1400 B / ()  
POSITION SENSOR



# Picture

Page 1 from 2

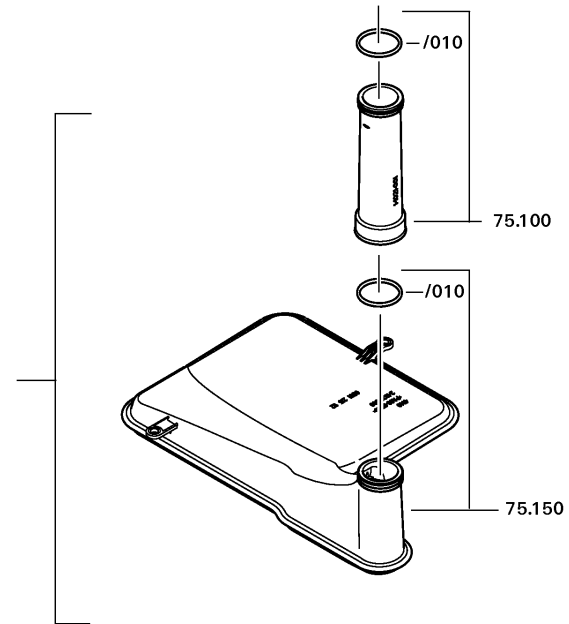
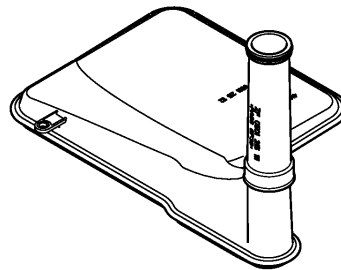
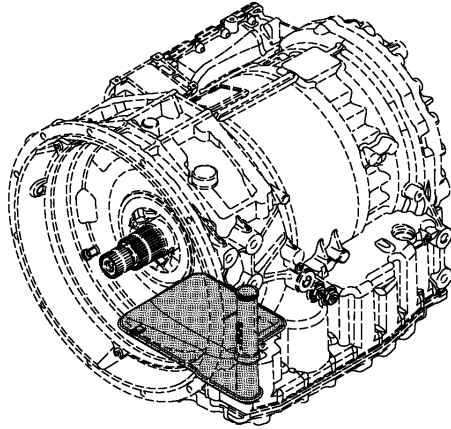
Material number: 4181.040.009

Picture: 130.075.001-1

Material-assembly-group-no: 4181.175.003



6 AP 1400 B / ()  
SUCTION FILTER



# Picture

Page 2 from 2

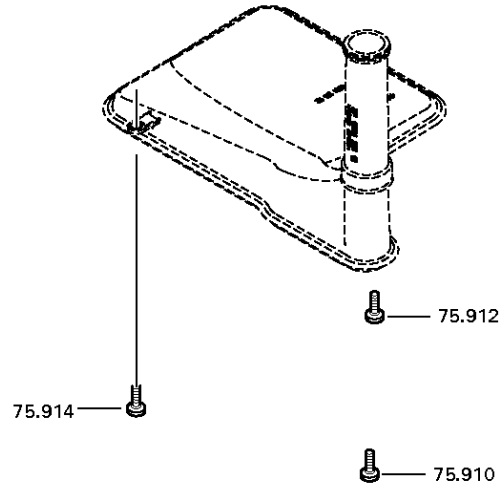
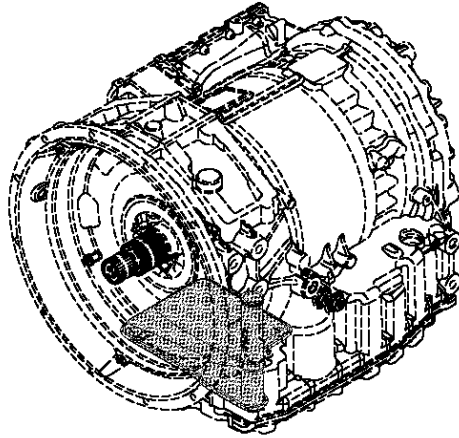
Material number: 4181.040.009

Picture: 130.75.80-1

Material-assembly-group-no: 4181.175.003



6 AP 1400 B / ()  
SUCTION FILTER



# Picture

Page 1 from 1

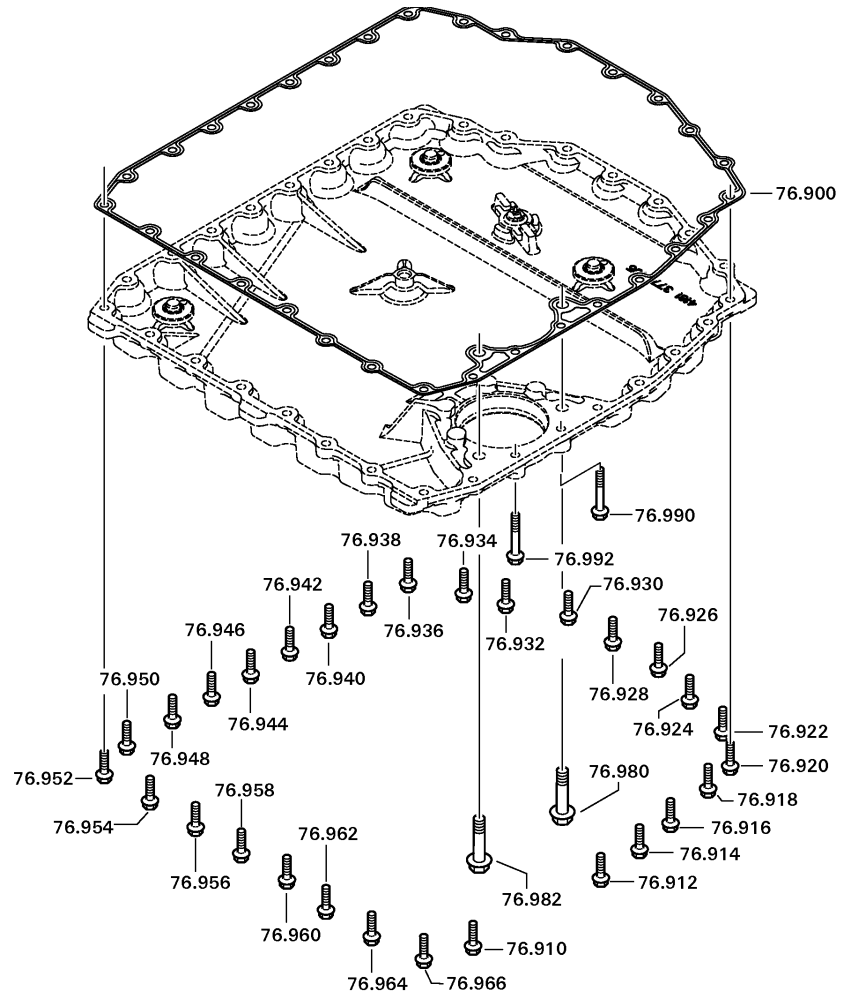
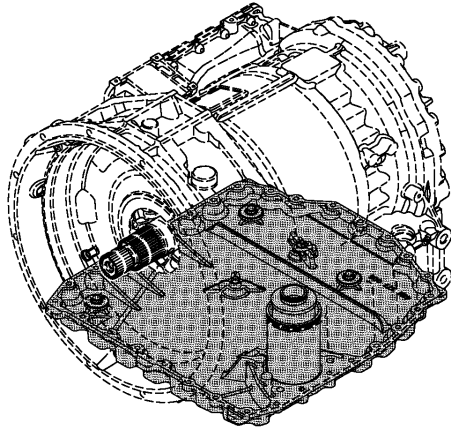
Material number: 4181.040.009

Picture: 130.076.080-1

Material-assembly-group-no: 4181.176.803



6 AP 1400 B / ( )  
OIL PAN



# Picture

Page 1 from 1

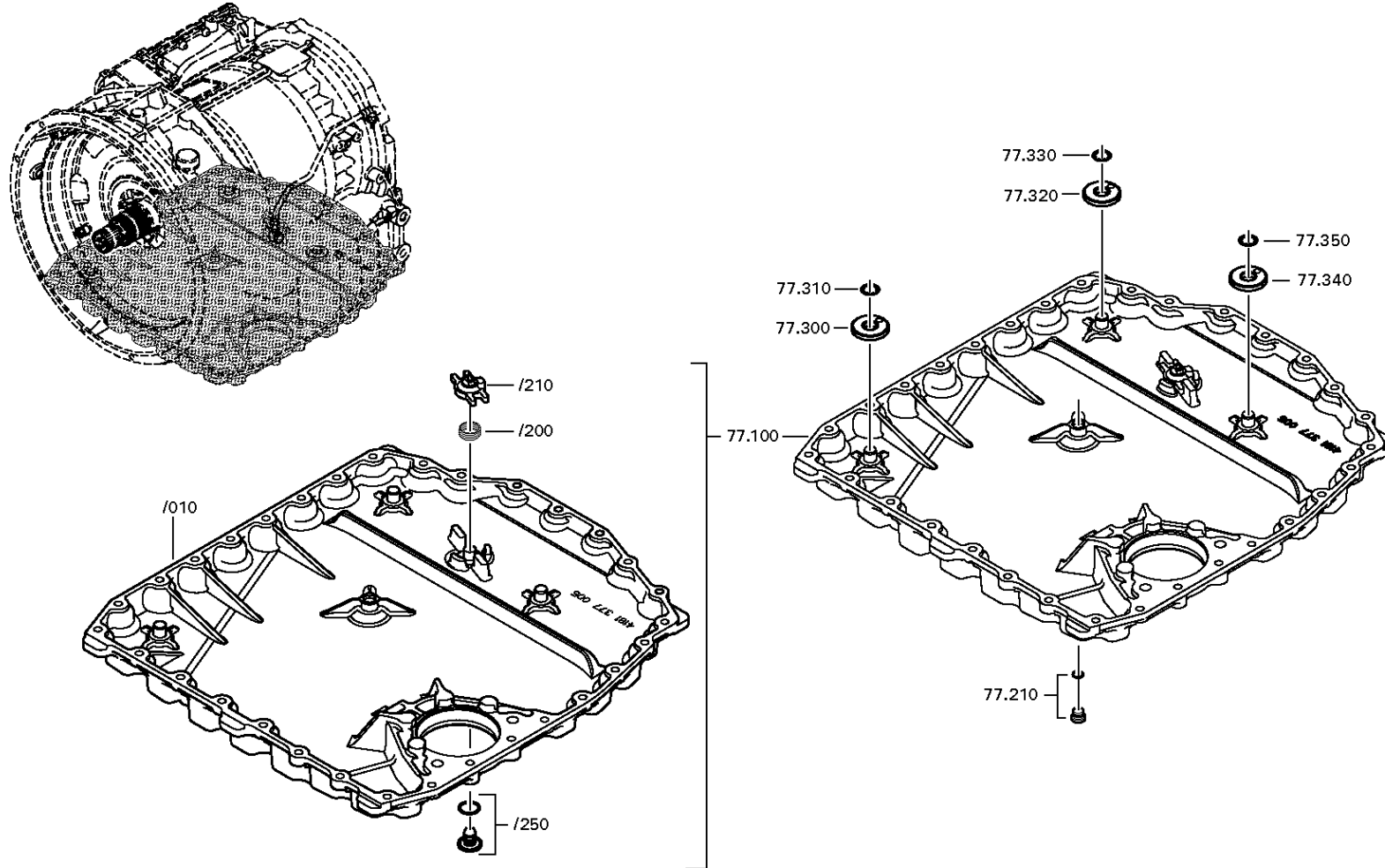
Material number: 4181.040.009

Picture: 130.77.01-1

Material-assembly-group-no: 4181.177.008



6 AP 1400 B / ()  
OIL PAN



# Picture

Page 1 from 2

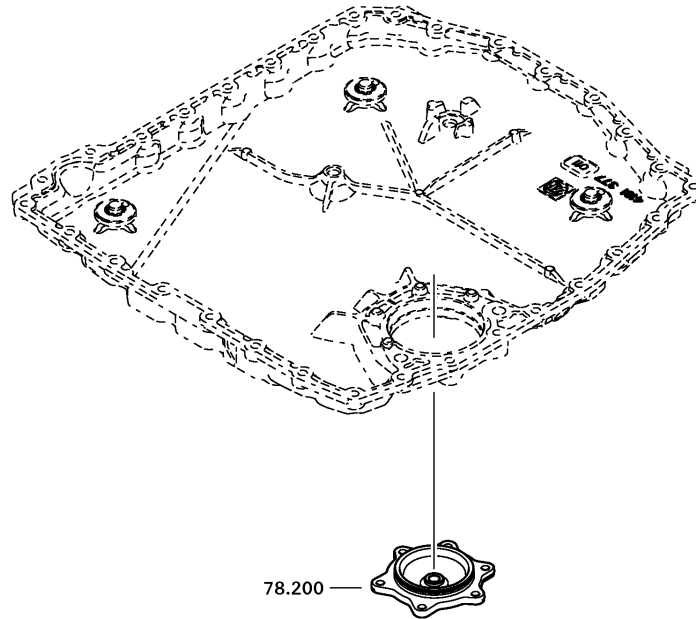
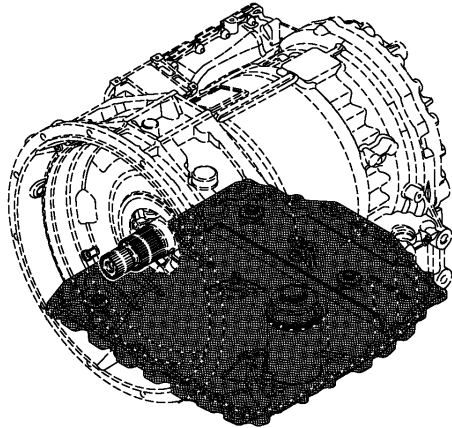
Material number: 4181.040.009

Picture: 130.078.003-1

Material-assembly-group-no: 4181.378.008



6 AP 1400 B / ()  
FILTER COVER



# Picture

Page 2 from 2

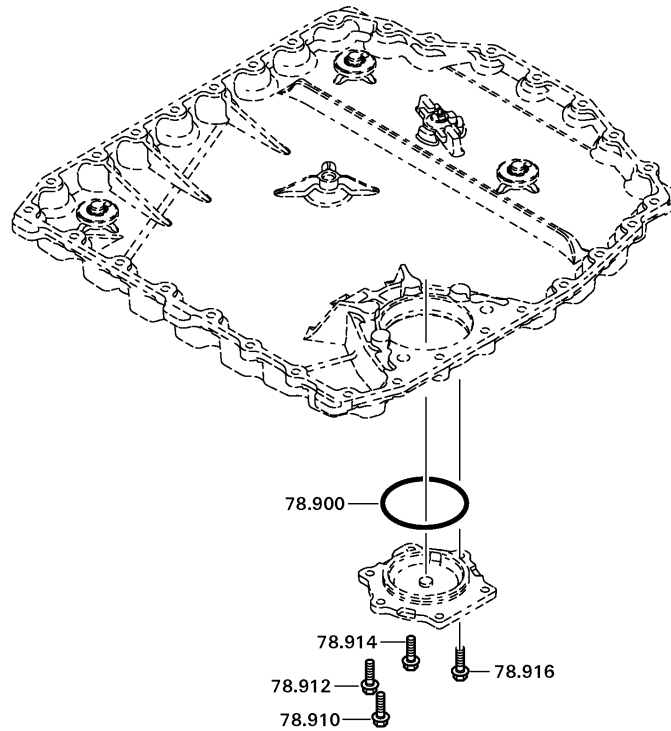
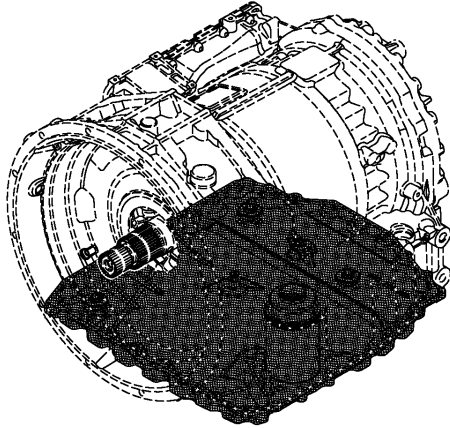
Material number: 4181.040.009

Picture: 130.078.080-1

Material-assembly-group-no: 4181.378.008



6 AP 1400 B / ()  
FILTER COVER



# Picture

Page 1 from 1

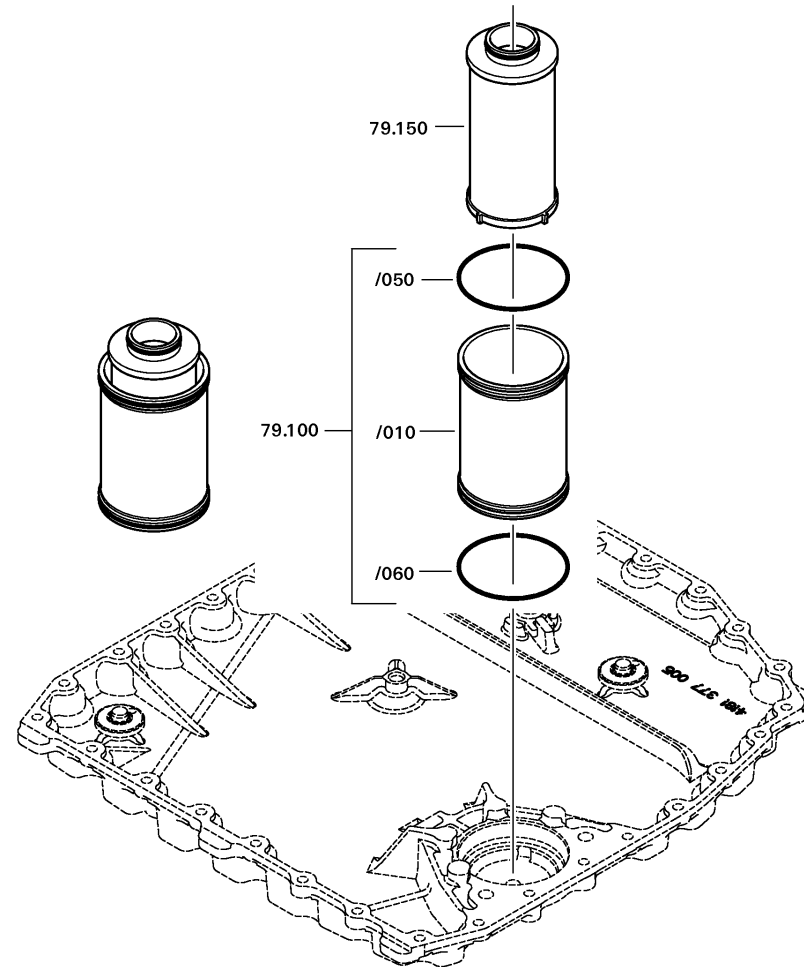
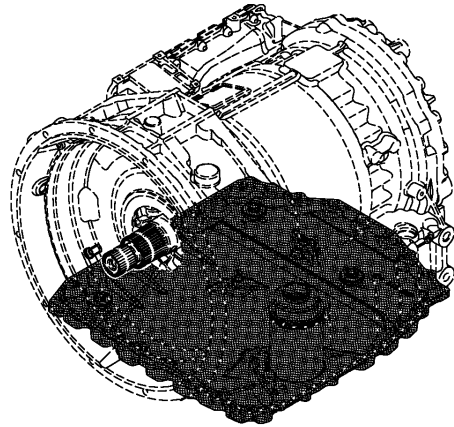
Material number: 4181.040.009

Picture: 130.079.001-1

Material-assembly-group-no: 4181.179.003



6 AP 1400 B / ()  
PRESSURE FILTER



# Picture

Page 1 from 1

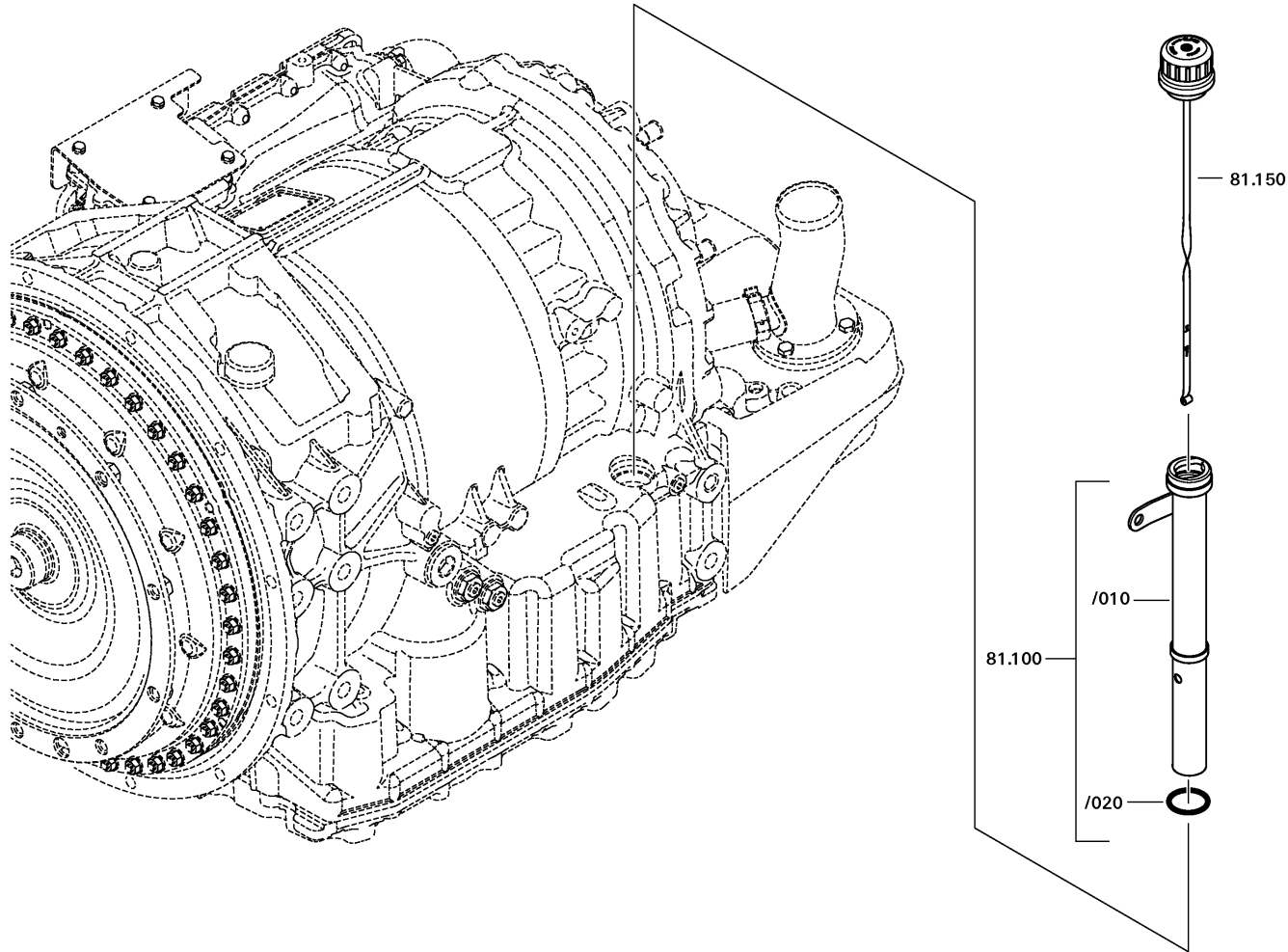
Material number: 4181.040.009

Picture: 130.081.004

Material-assembly-group-no: 4181.181.026



6 AP 1400 B / ()  
DIPSTICK PARTS



# Picture

Page 1 from 3

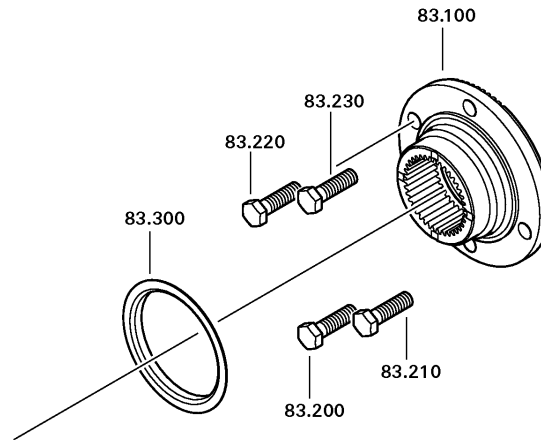
Material number: 4181.040.009

Picture: 130.083.001-1

Material-assembly-group-no: 4181.291.068



6 AP 1400 B / ()  
OUTPUT FLANGE



# Picture

Page 2 from 3

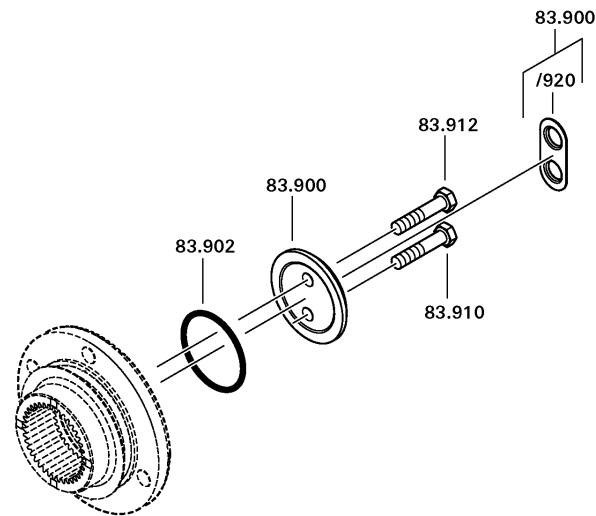
Material number: 4181.040.009

Picture: 130.083.050-1

Material-assembly-group-no: 4181.291.068



6 AP 1400 B / ()  
OUTPUT FLANGE



# Picture

Page 3 from 3

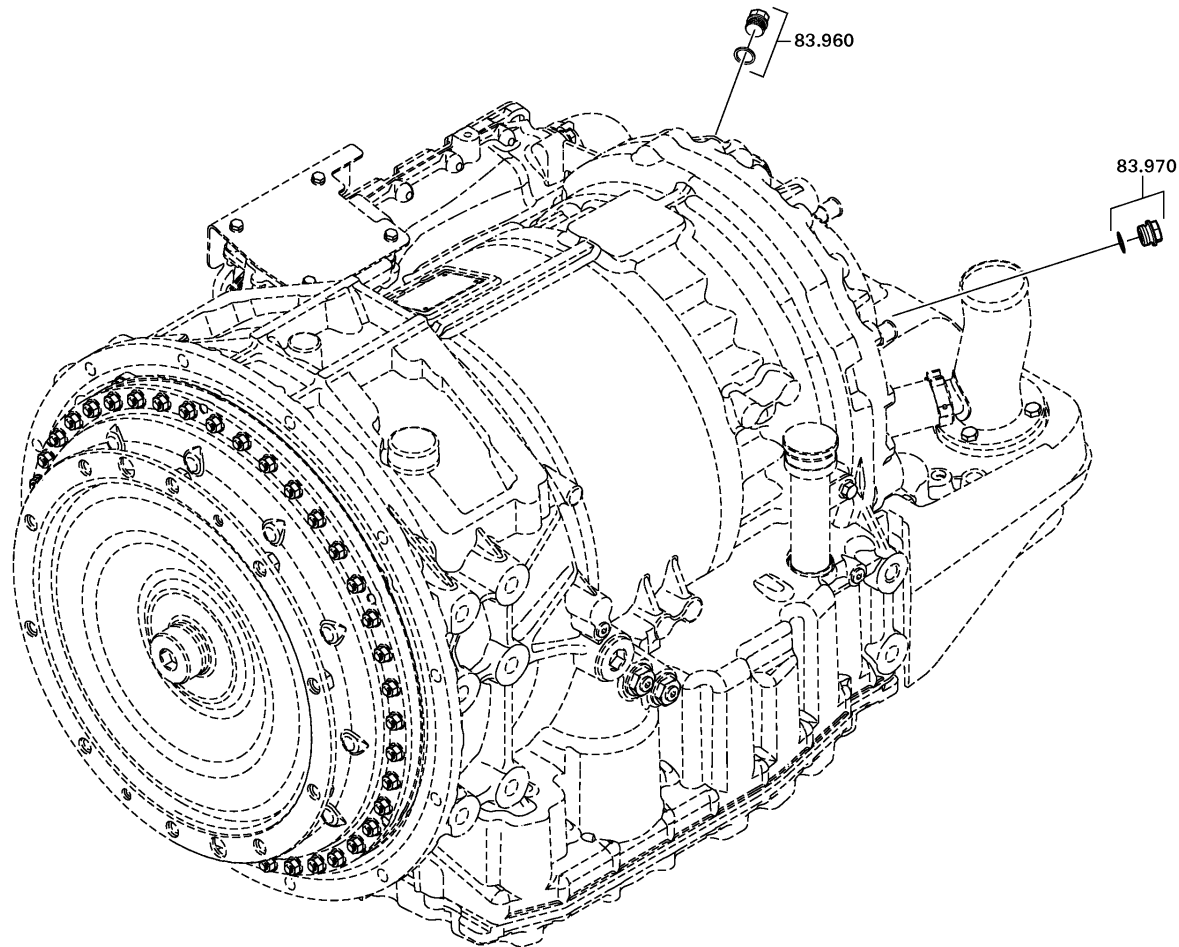
Material number: 4181.040.009

Picture: 130.83.81-1

Material-assembly-group-no: 4181.291.068



6 AP 1400 B / ()  
OUTPUT FLANGE



# Picture

Page 1 from 2

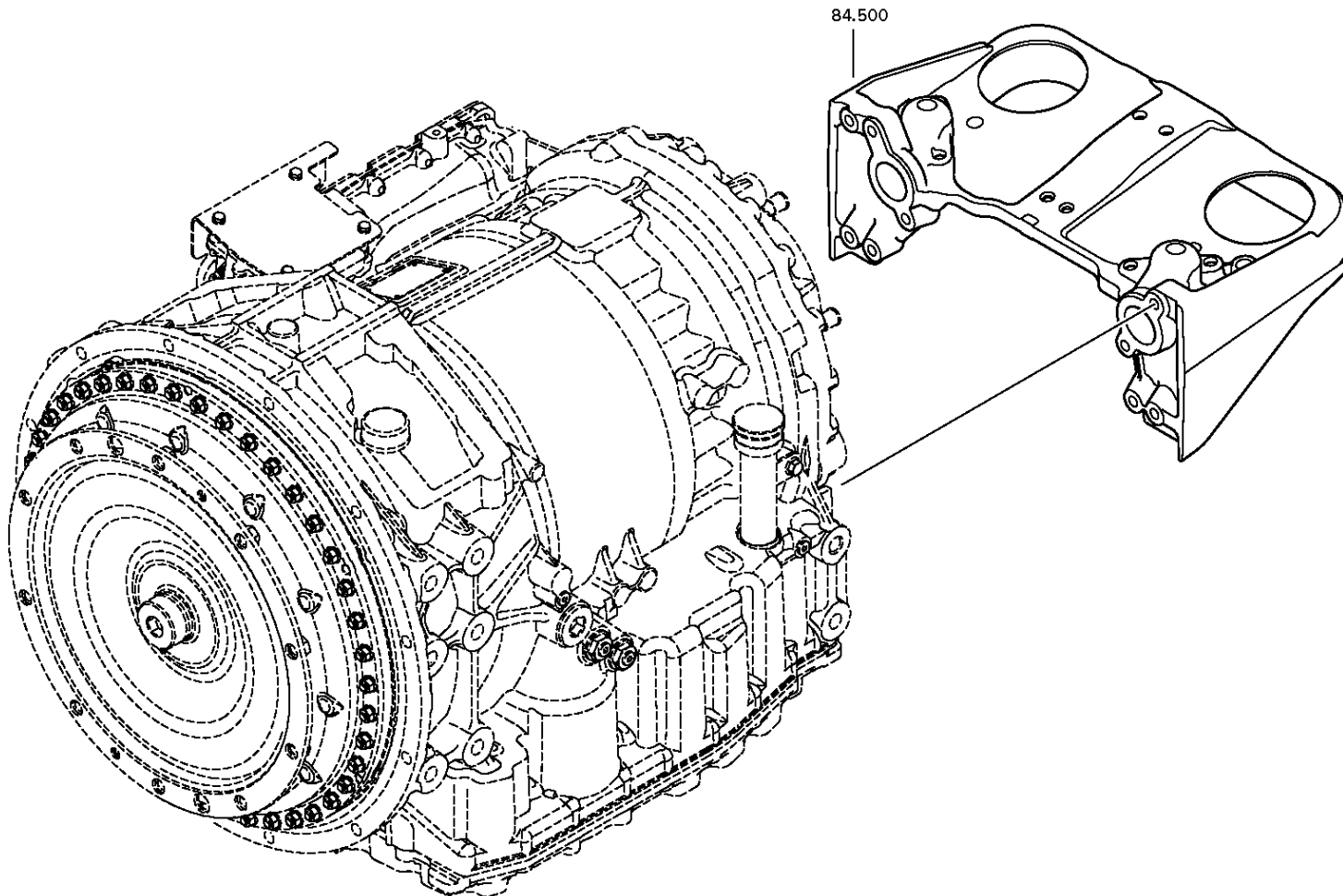
Material number: 4181.040.009

Picture: 130.84.02-1

Material-assembly-group-no: 4181.184.002



6 AP 1400 B / ()  
BRACKET



# Picture

Page 2 from 2

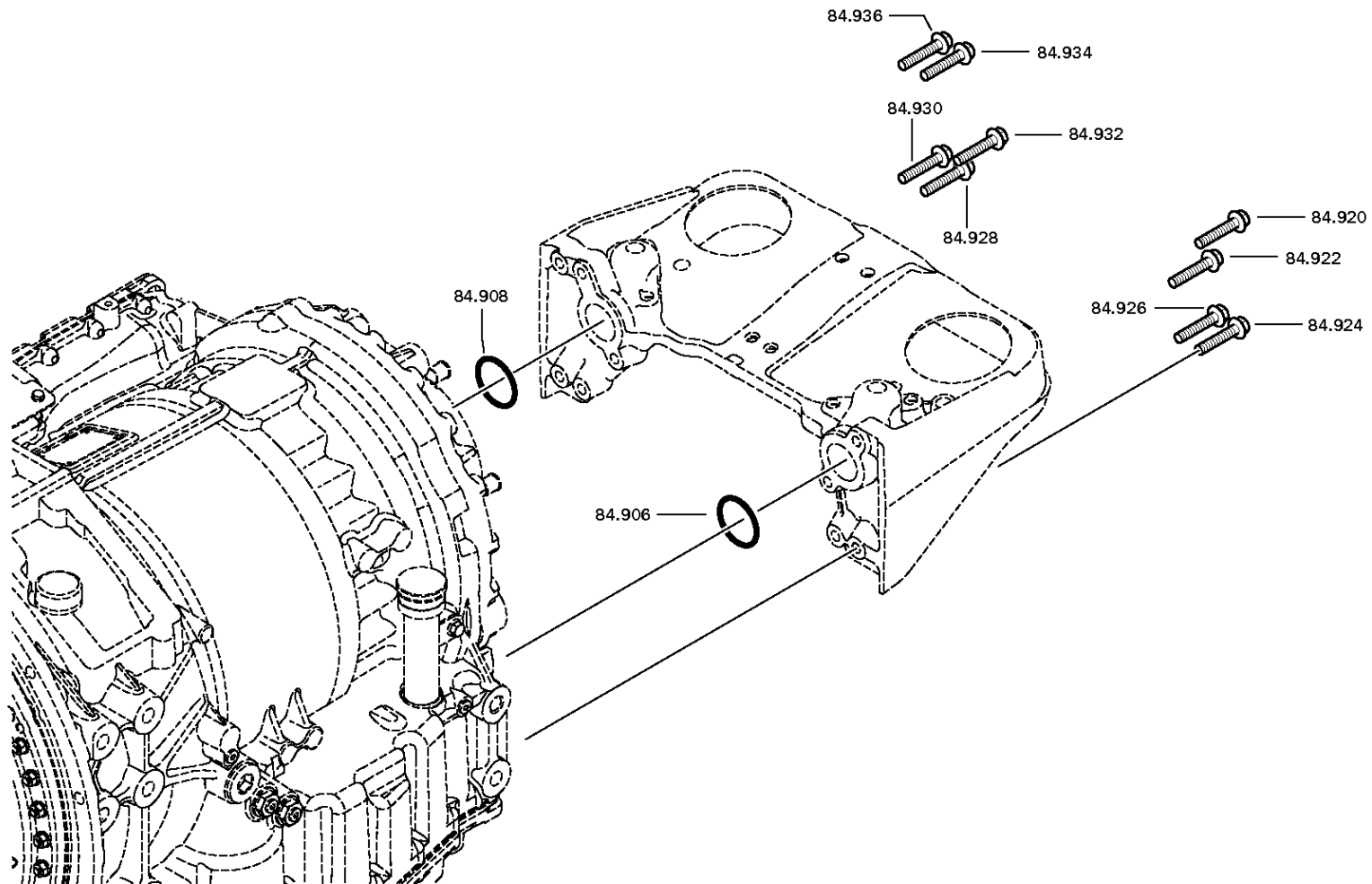
Material number: 4181.040.009

Picture: 130.84.83-1

Material-assembly-group-no: 4181.184.002



6 AP 1400 B / ()  
BRACKET



# Picture

Page 1 from 2

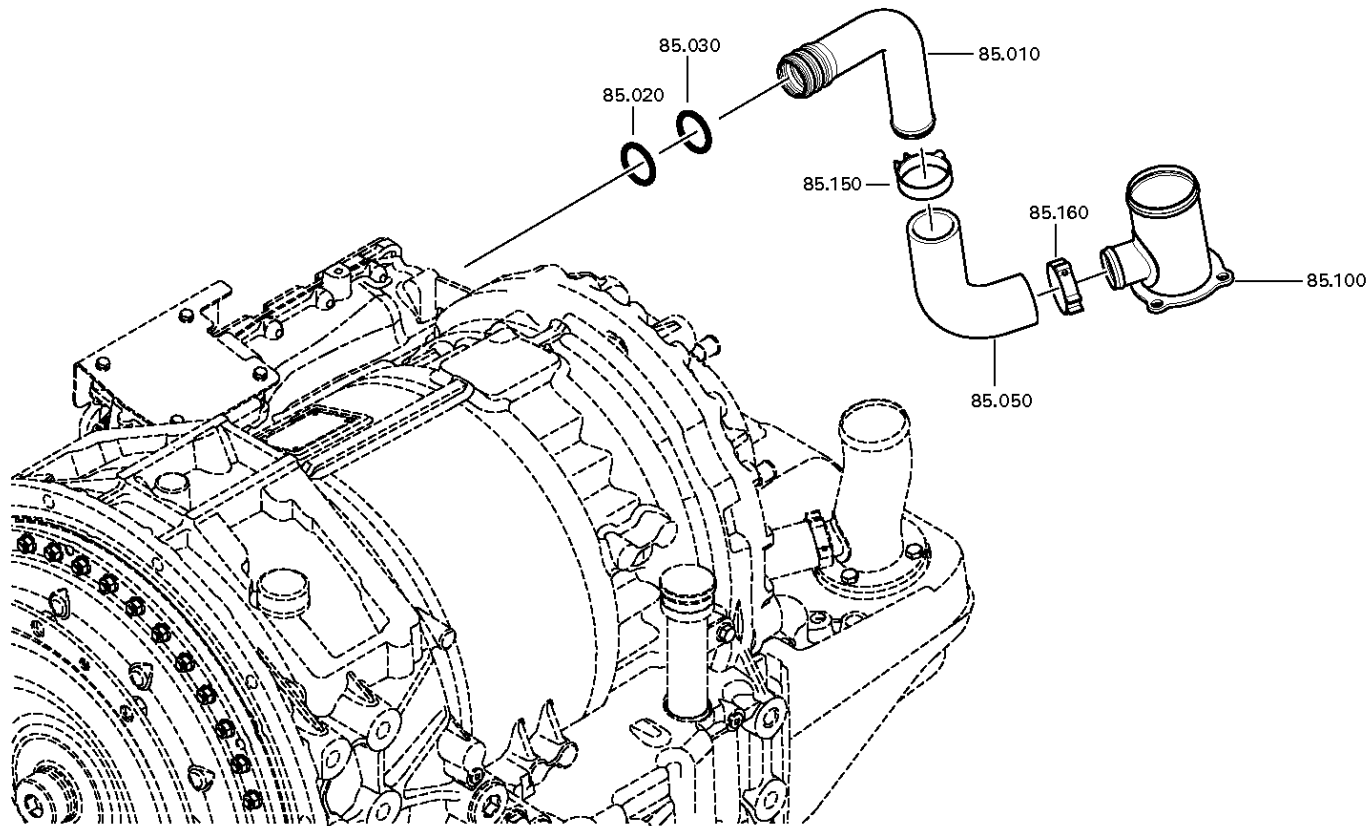
Material number: 4181.040.009

Picture: 130.85.01-1

Material-assembly-group-no: 4181.285.009



6 AP 1400 B / ()  
TUBE



# Picture

Page 2 from 2

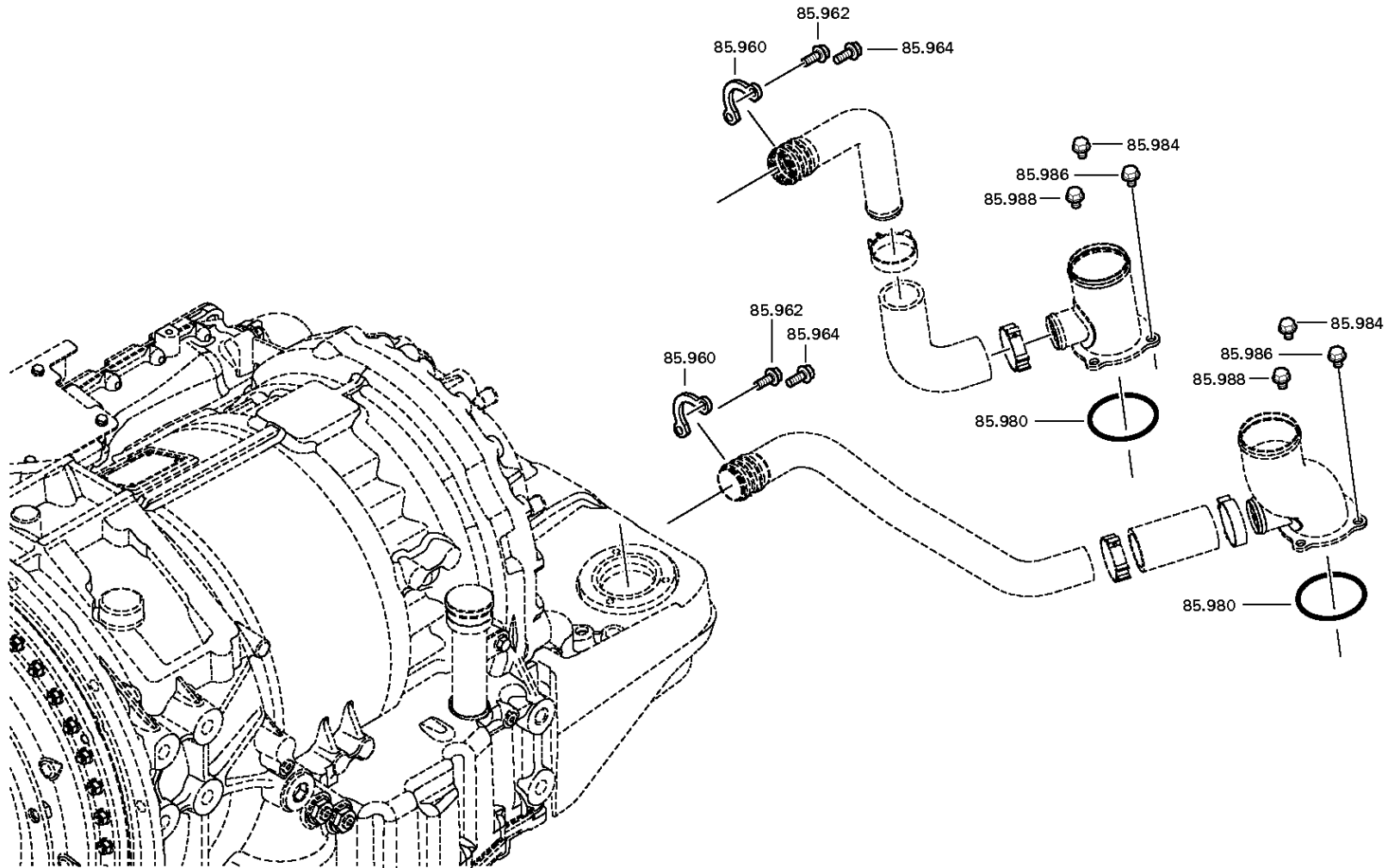
Material number: 4181.040.009

Picture: 130.85.82-1

Material-assembly-group-no: 4181.285.009



6 AP 1400 B / ()  
TUBE



# Picture

Page 1 from 2

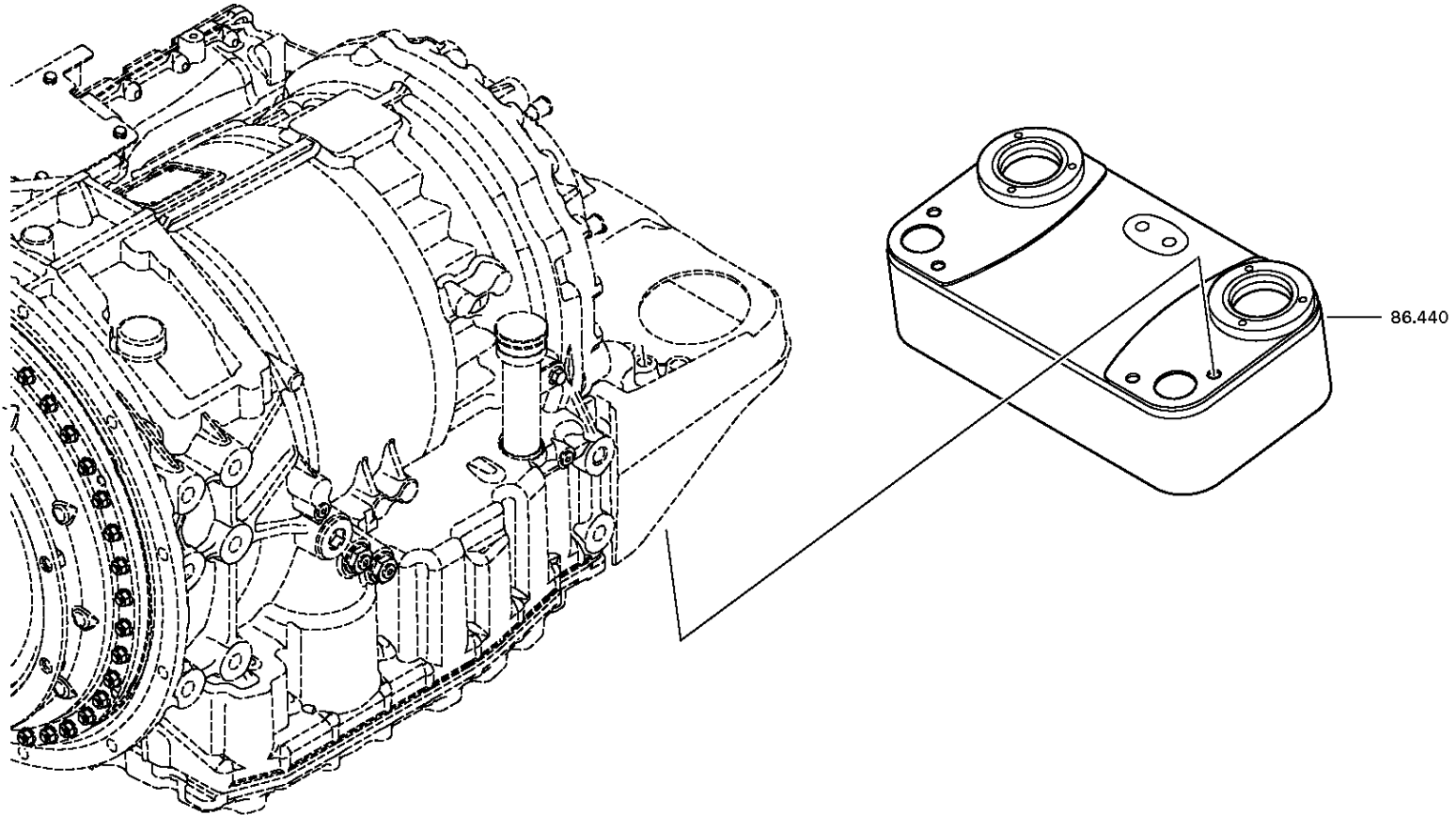
Material number: 4181.040.009

Picture: 130.86.01-1

Material-assembly-group-no: 0501.215.720



6 AP 1400 B / ()  
HEAT EXCHANGER



# Picture

Page 2 from 2

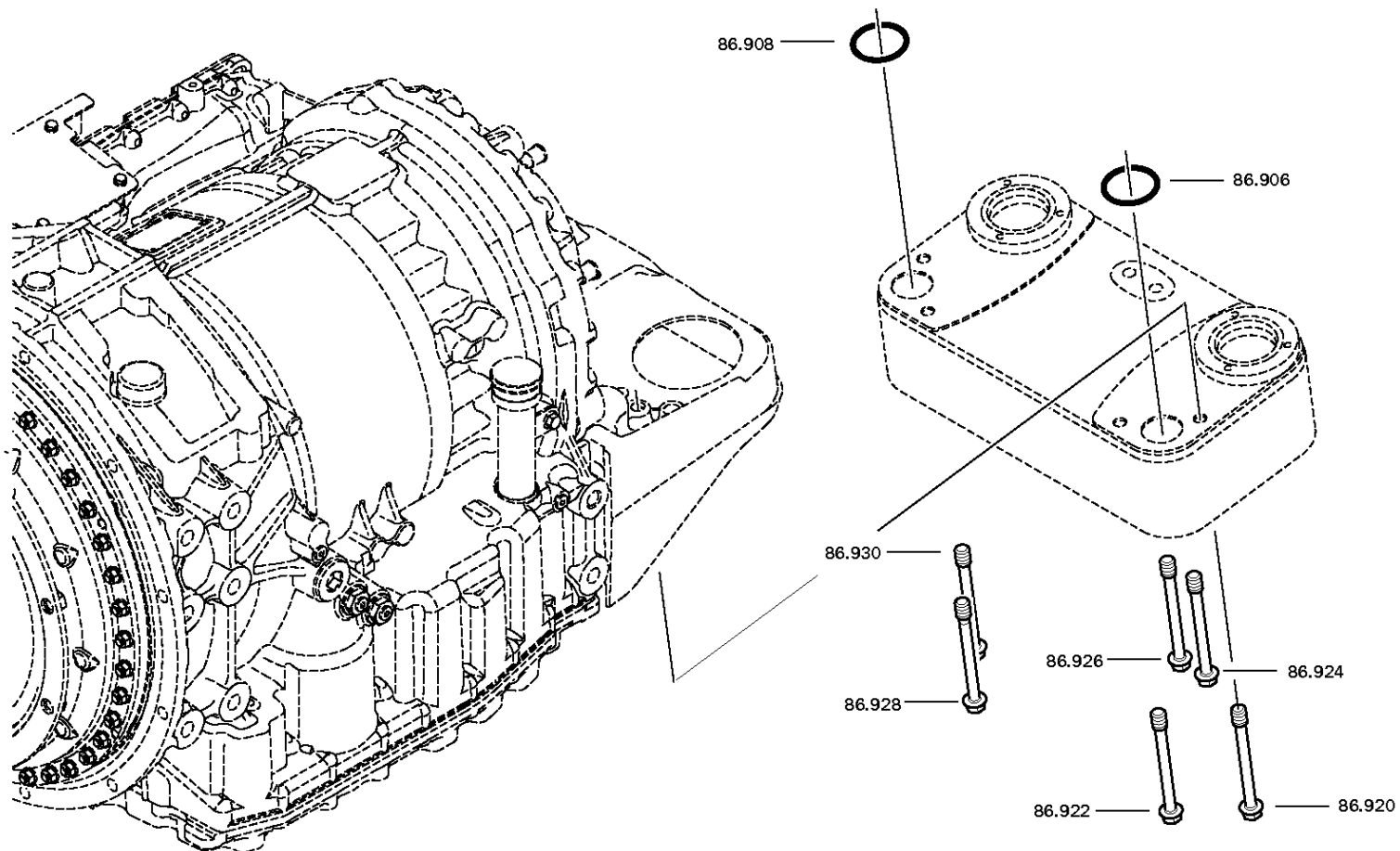
Material number: 4181.040.009

Picture: 130.86.80-1

Material-assembly-group-no: 0501.215.720



6 AP 1400 B / ()  
HEAT EXCHANGER



# Picture

Page 1 from 1

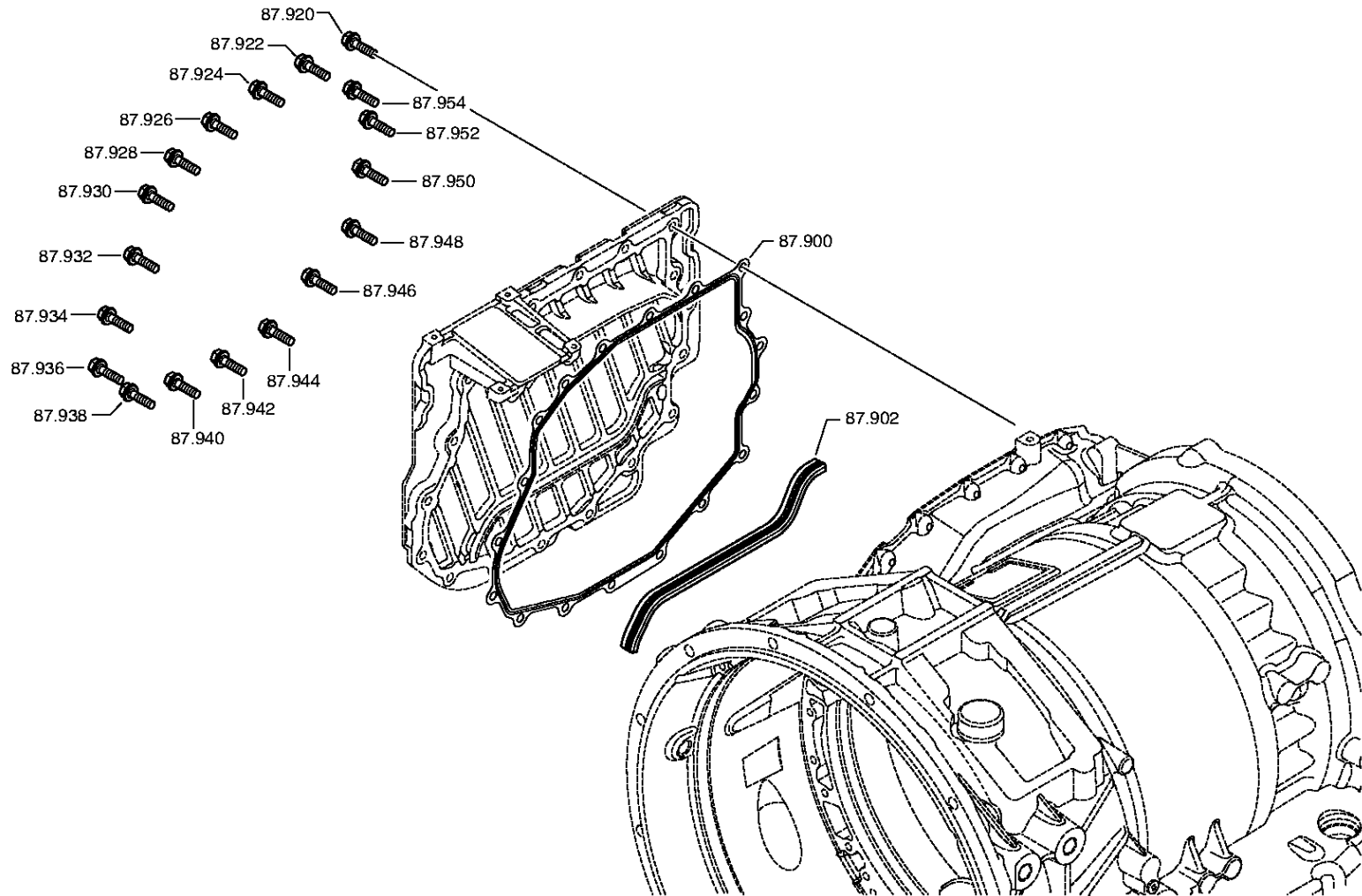
Material number: 4181.040.009

Picture: 130.87.80-1

Material-assembly-group-no: 4181.184.822



6 AP 1400 B / ()  
COVER



# Picture

Page 1 from 1

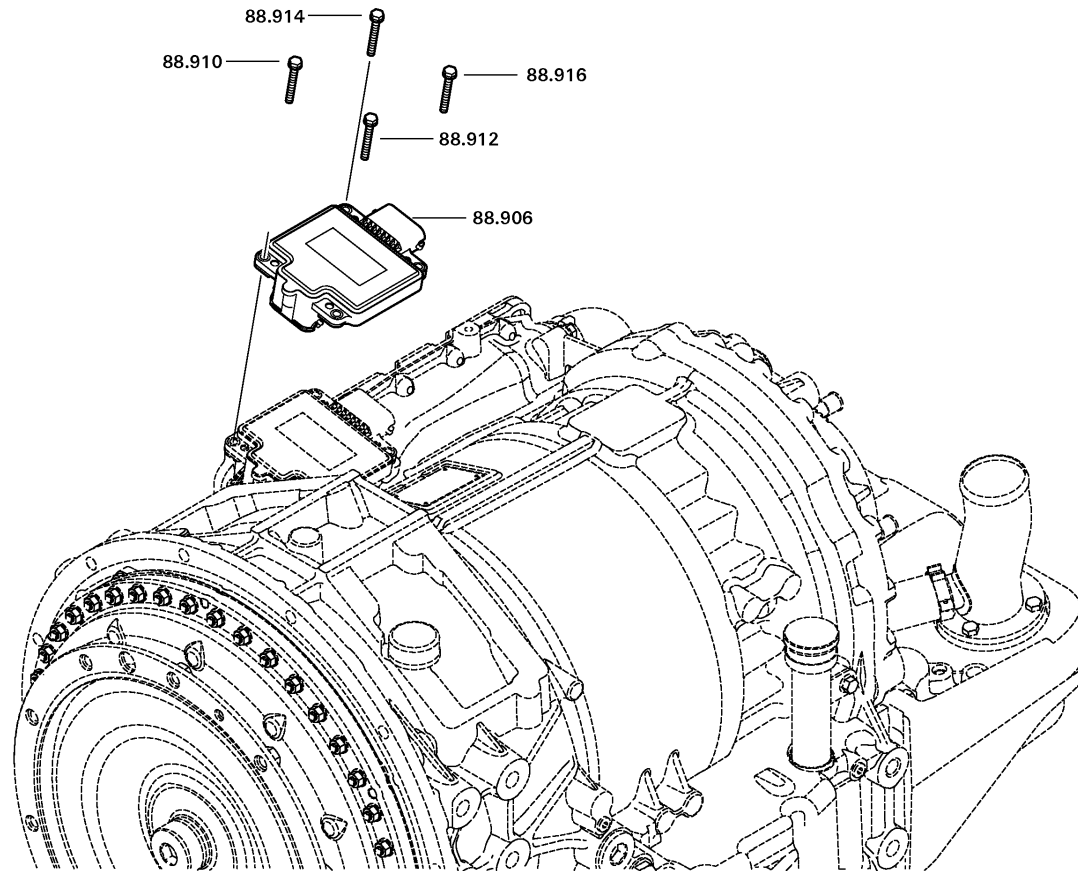
Material number: 4181.040.009

Picture: 130.088.081-1

Material-assembly-group-no: 4181.188.801



6 AP 1400 B / ()  
CONTROL UNIT



# Picture

Page 1 from 2

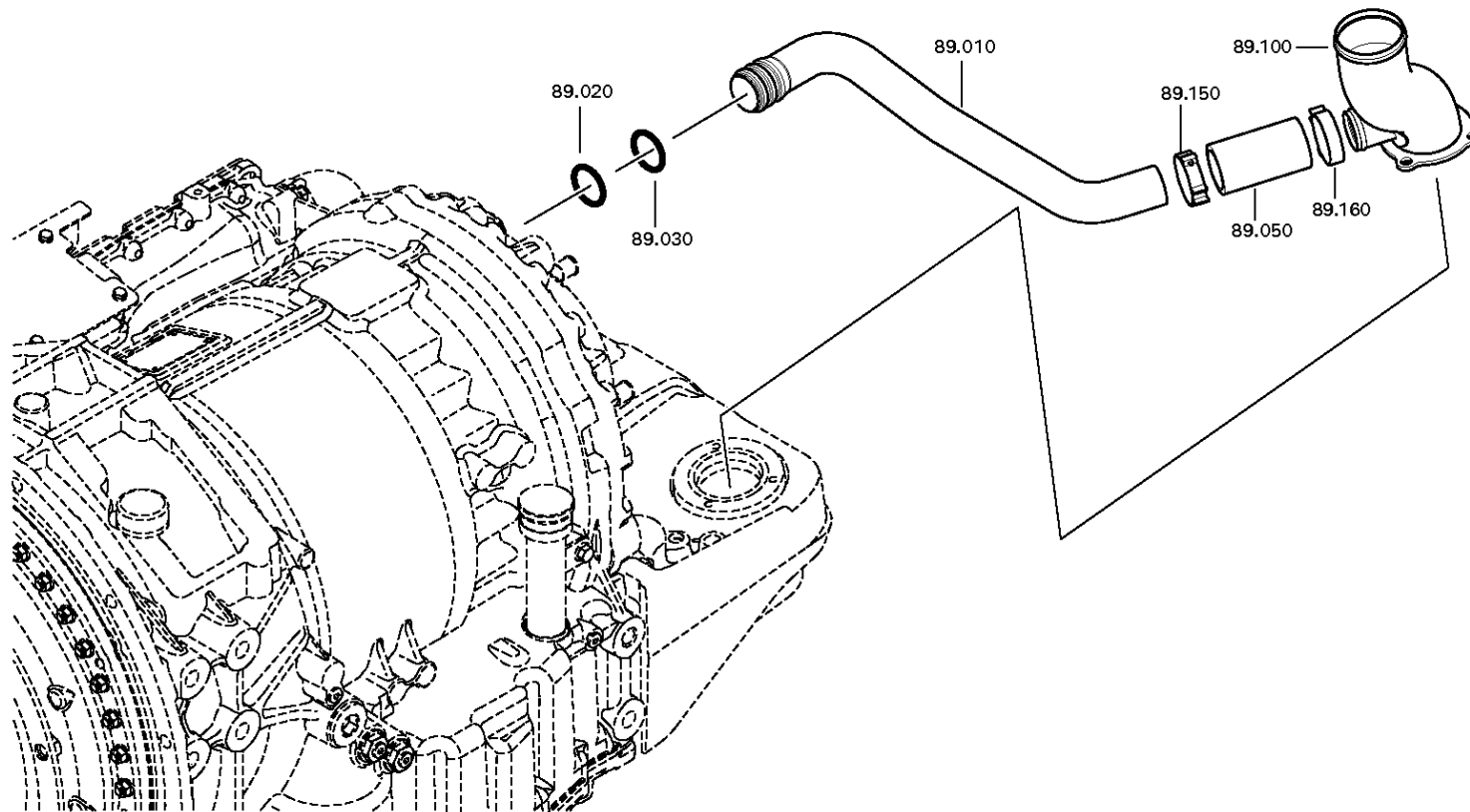
Material number: 4181.040.009

Picture: 130.89.01-1

Material-assembly-group-no: 4181.285.008



6 AP 1400 B / ()  
TUBE



# Picture

Page 2 from 2

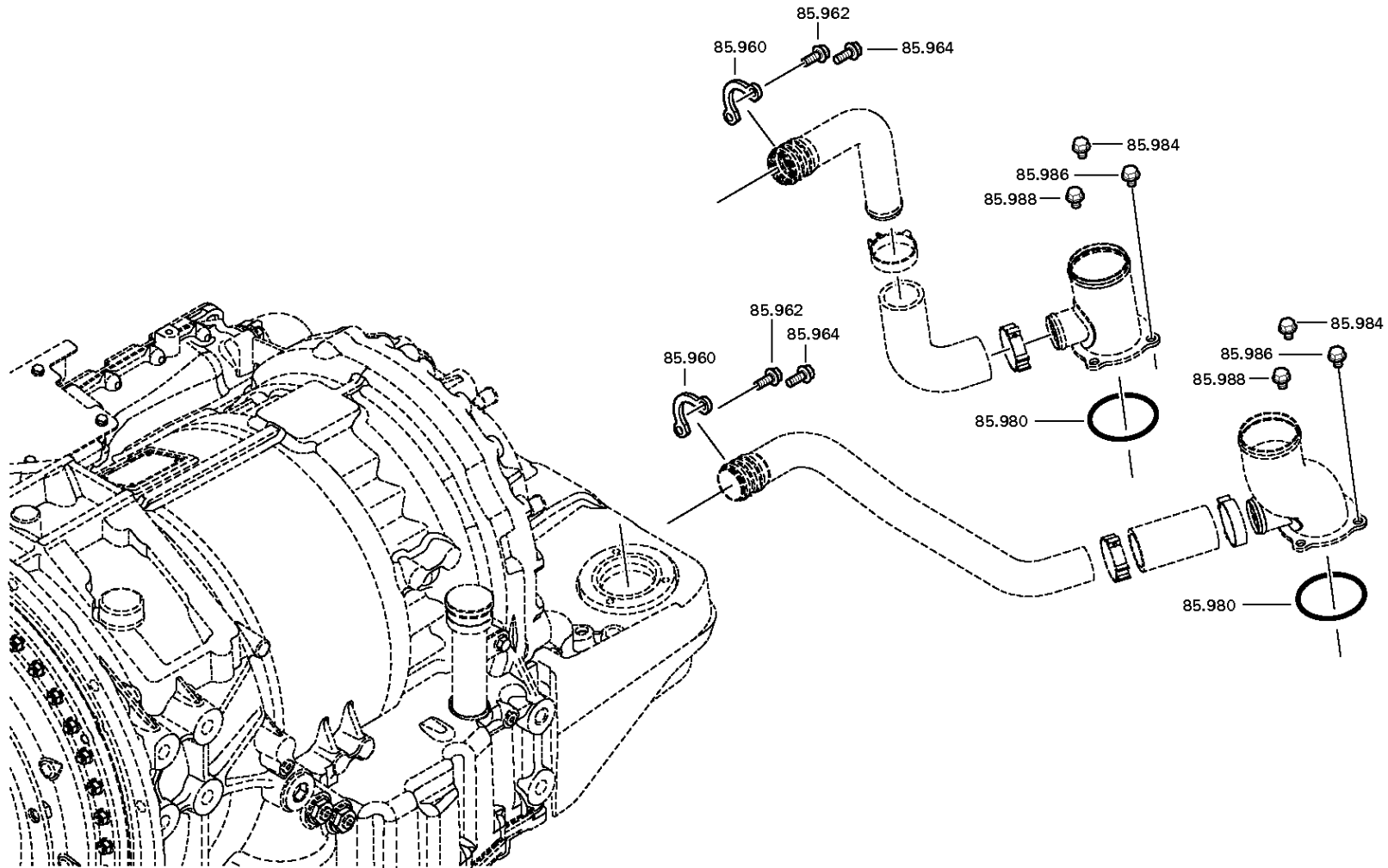
Material number: 4181.040.009

Picture: 130.85.82-1

Material-assembly-group-no: 4181.285.008



6 AP 1400 B / ()  
TUBE



# Picture

Page 1 from 1

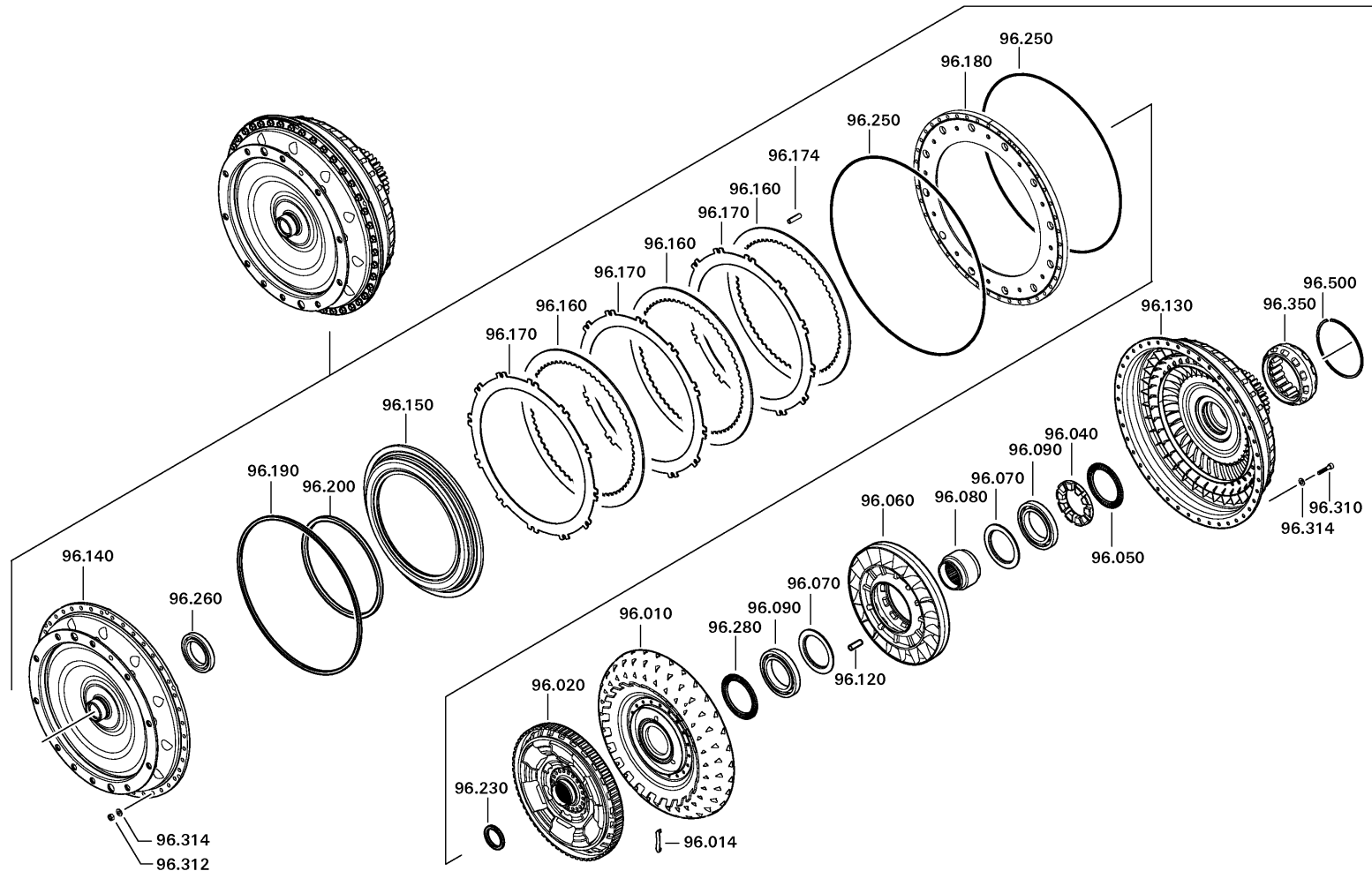
Material number: 4181.040.009

Picture: 130.096.004-1

Material-assembly-group-no: 0501.008.493



6 AP 1400 B / ()  
CONVERTER



# Picture

Page 1 from 1

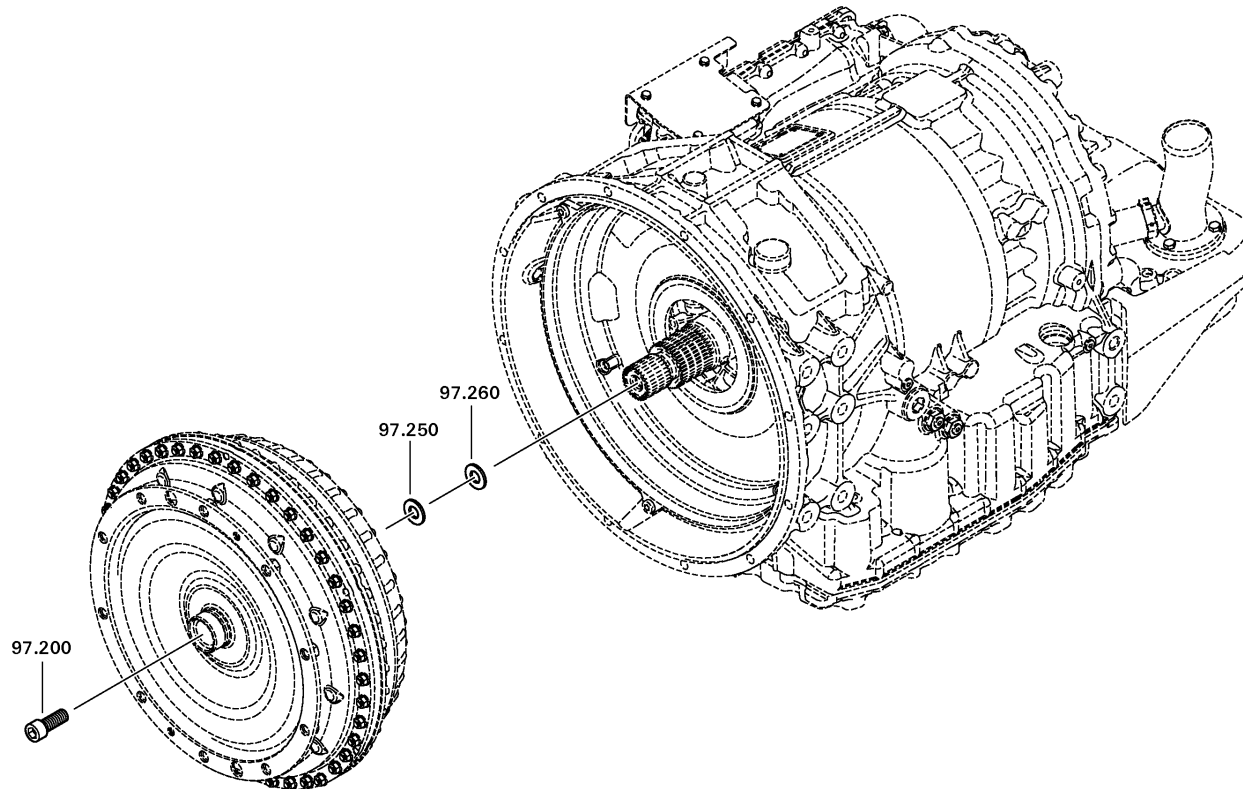
Material number: 4181.040.009

Picture: 130.097.001-1

Material-assembly-group-no: 4181.182.804



6 AP 1400 B / ()  
CONVERTER



# Picture

Page 1 from 1

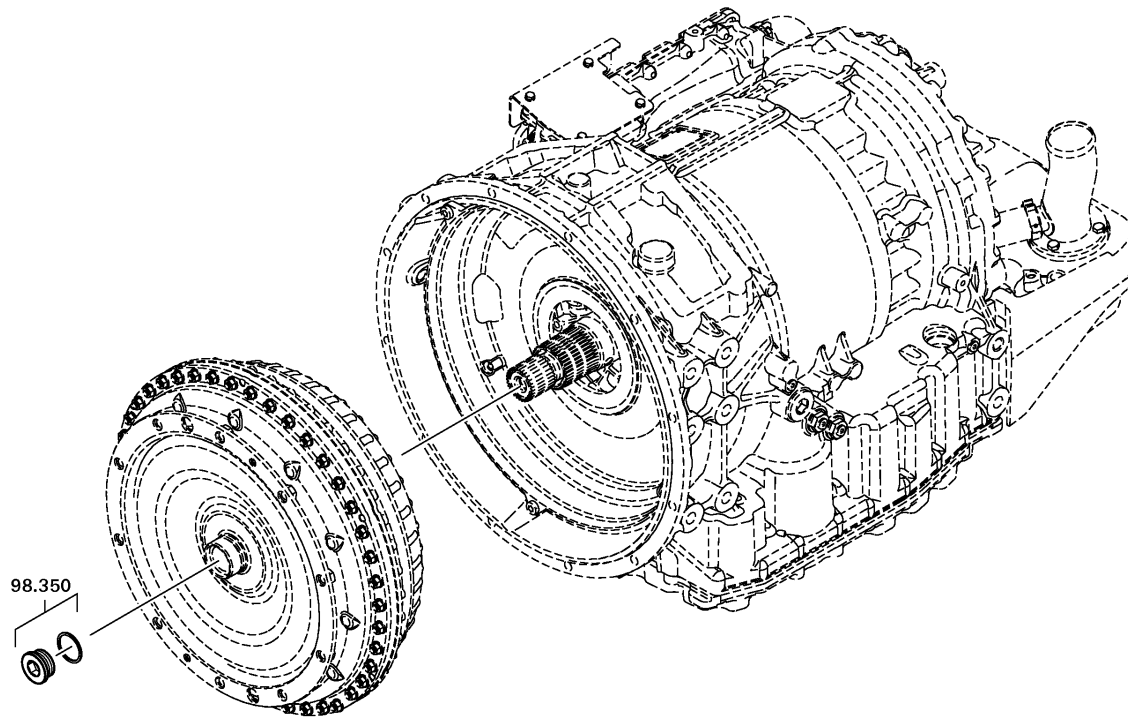
Material number: 4181.040.009

Picture: 130.098.001-1

Material-assembly-group-no: 0768.409.579



6 AP 1400 B / ()  
SCREW PLUG



# Picture

Page 1 from 1

Material number: 4181.040.009

Picture: 130.R0.01-1

Material-assembly-group-no: 4181.298.002



6 AP 1400 B / ()  
PRESSURE FILTER

