



Spare Parts Catalog

6 HP 504 C

()

Material number: 4182.004.009

Current date: 10.03.2026

ZF Friedrichshafen AG

Hauptverwaltung

80038 Friedrichshafen

Deutschland

Telefon: +49 7541 77-0

Telefax: +49 7541 77-908000

www.zf.com

zuständiges Werk:

Friedrichshafen

Picture

Page 1 from 3

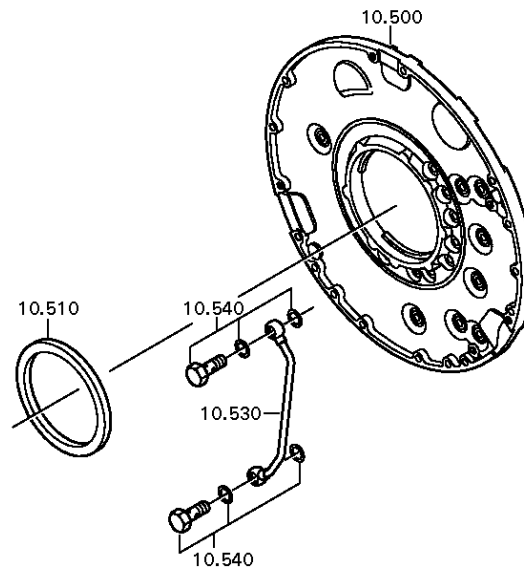
Material number: 4182.004.009

Picture: 004.04.42-1

Material-assembly-group-no: 4149.110.005



6 HP 504 C / ()
COVER PLATE



Picture

Page 2 from 3

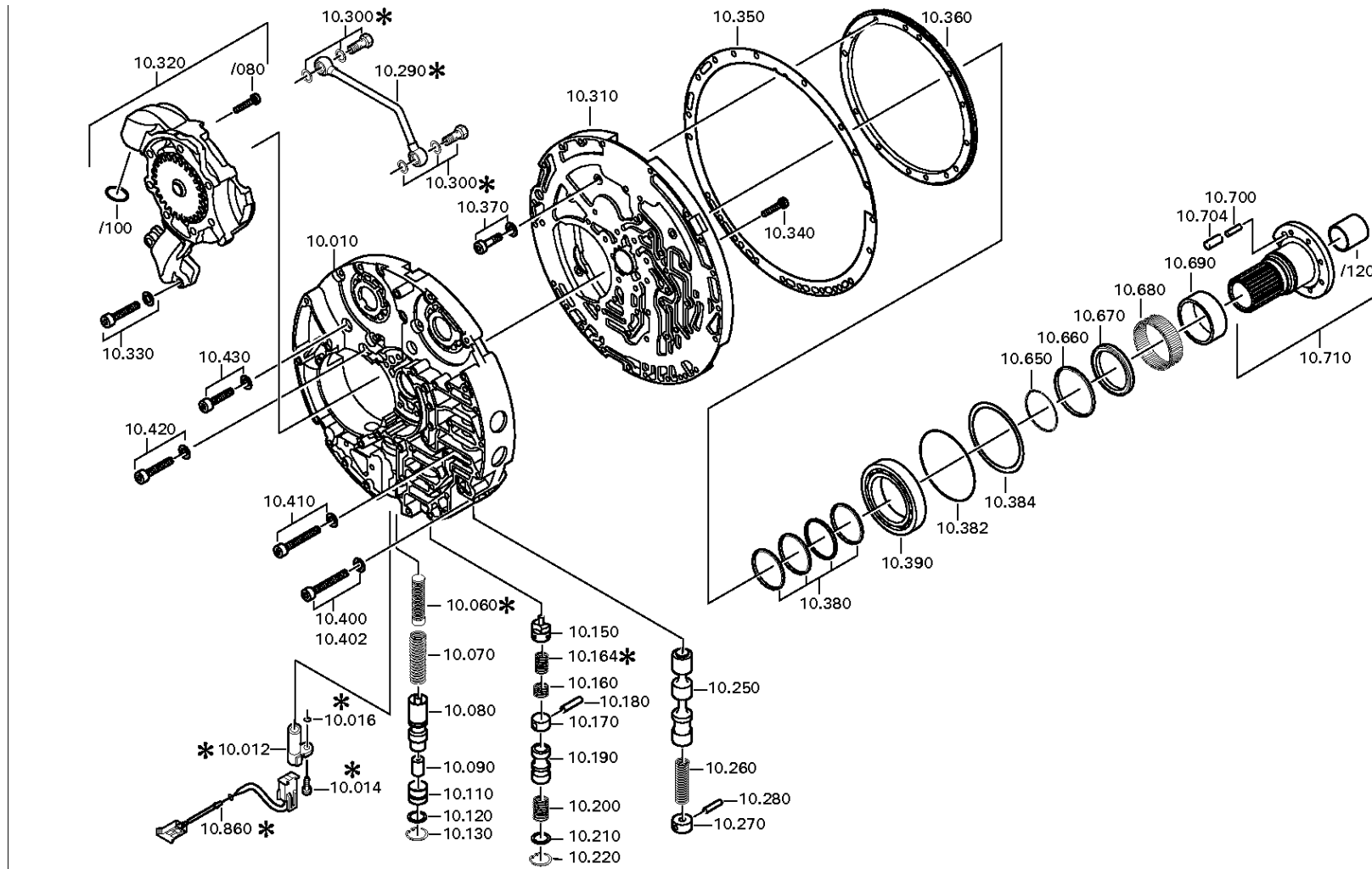
Material number: 4182.004.009

Picture: 004.04.20-1

Material-assembly-group-no: 4149.110.005



6 HP 504 C / ()
COVER PLATE



Picture

Page 3 from 3

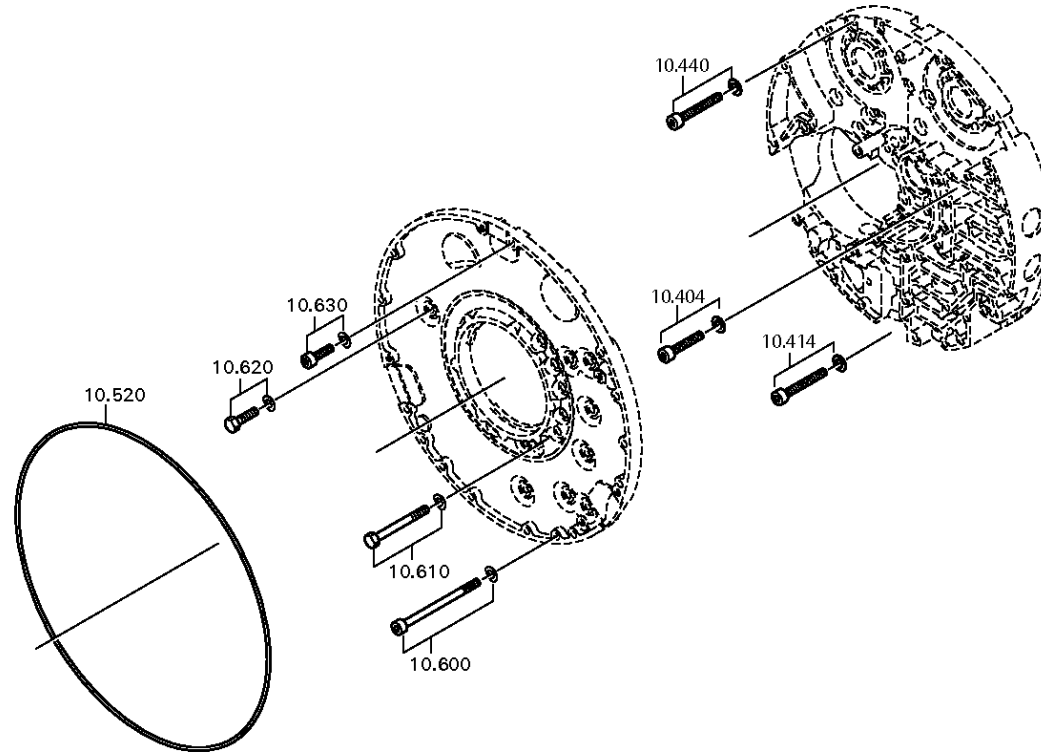
Material number: 4182.004.009

Picture: 004.04.86-1

Material-assembly-group-no: 4149.110.005



6 HP 504 C / ()
COVER PLATE



Picture

Page 1 from 4

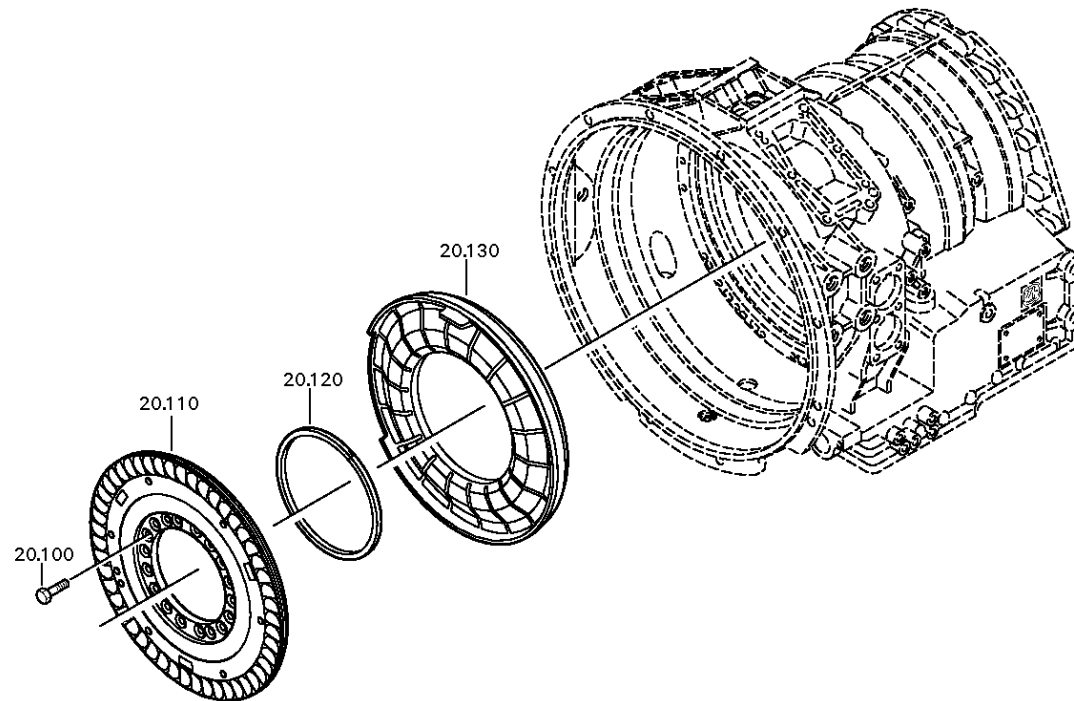
Material number: 4182.004.009

Picture: 004.07.08-1

Material-assembly-group-no: 4139.120.011



6 HP 504 C / ()
RETARDER



Picture

Page 2 from 4

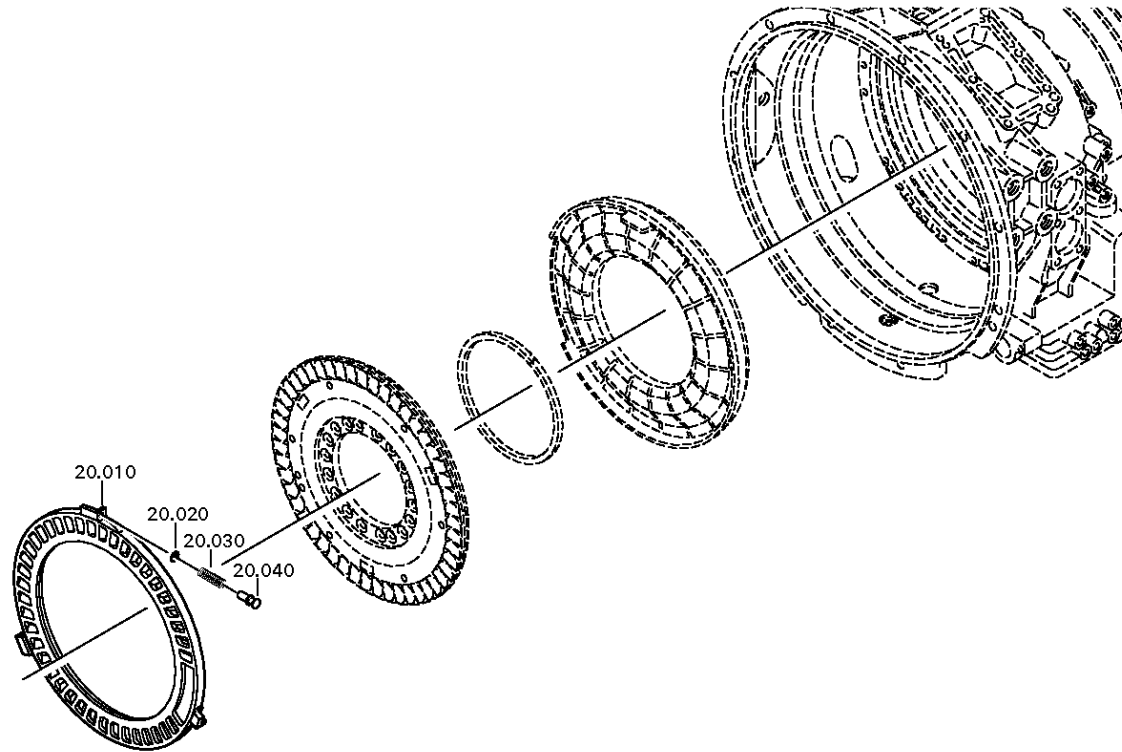
Material number: 4182.004.009

Picture: 004.07.20-1

Material-assembly-group-no: 4139.120.011



6 HP 504 C / ()
RETARDER



Picture

Page 3 from 4

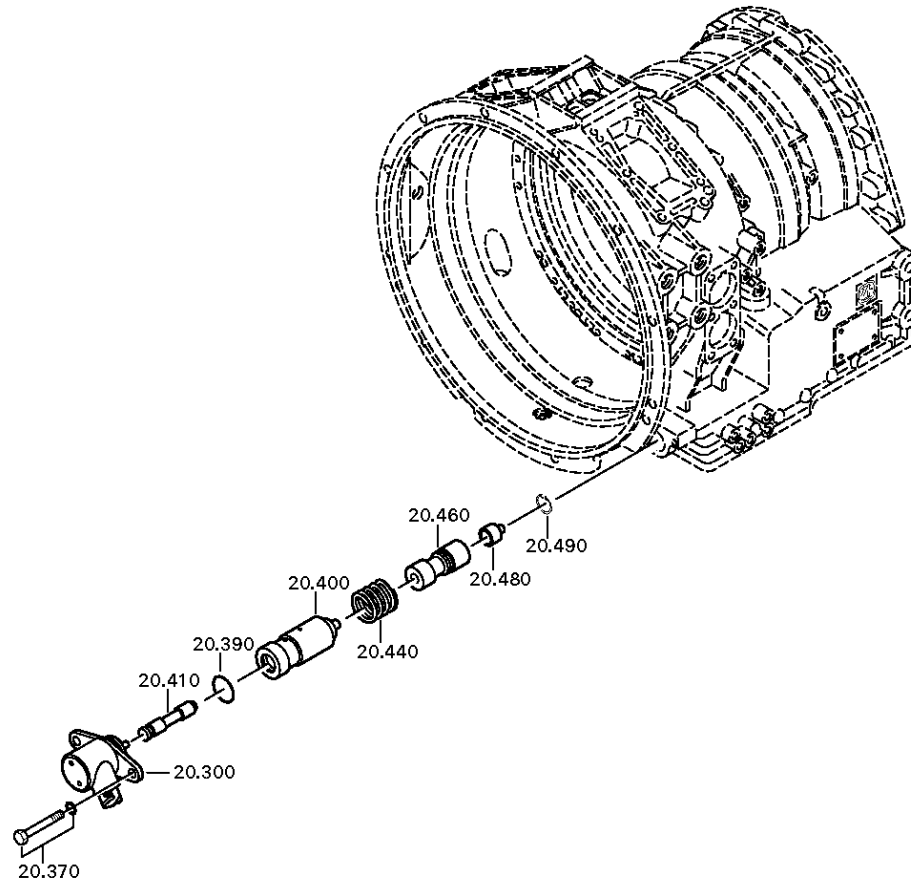
Material number: 4182.004.009

Picture: 004.07.43-1

Material-assembly-group-no: 4139.120.011



6 HP 504 C / ()
RETARDER



Picture

Page 4 from 4

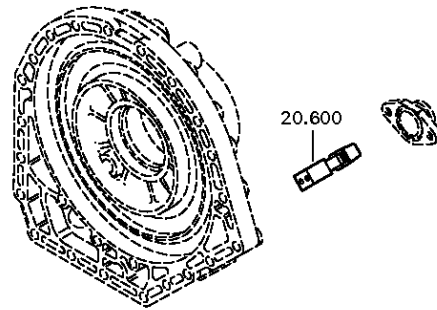
Material number: 4182.004.009

Picture: 004.07.81-1

Material-assembly-group-no: 4139.120.011



6 HP 504 C / ()
RETARDER



Picture

Page 1 from 2

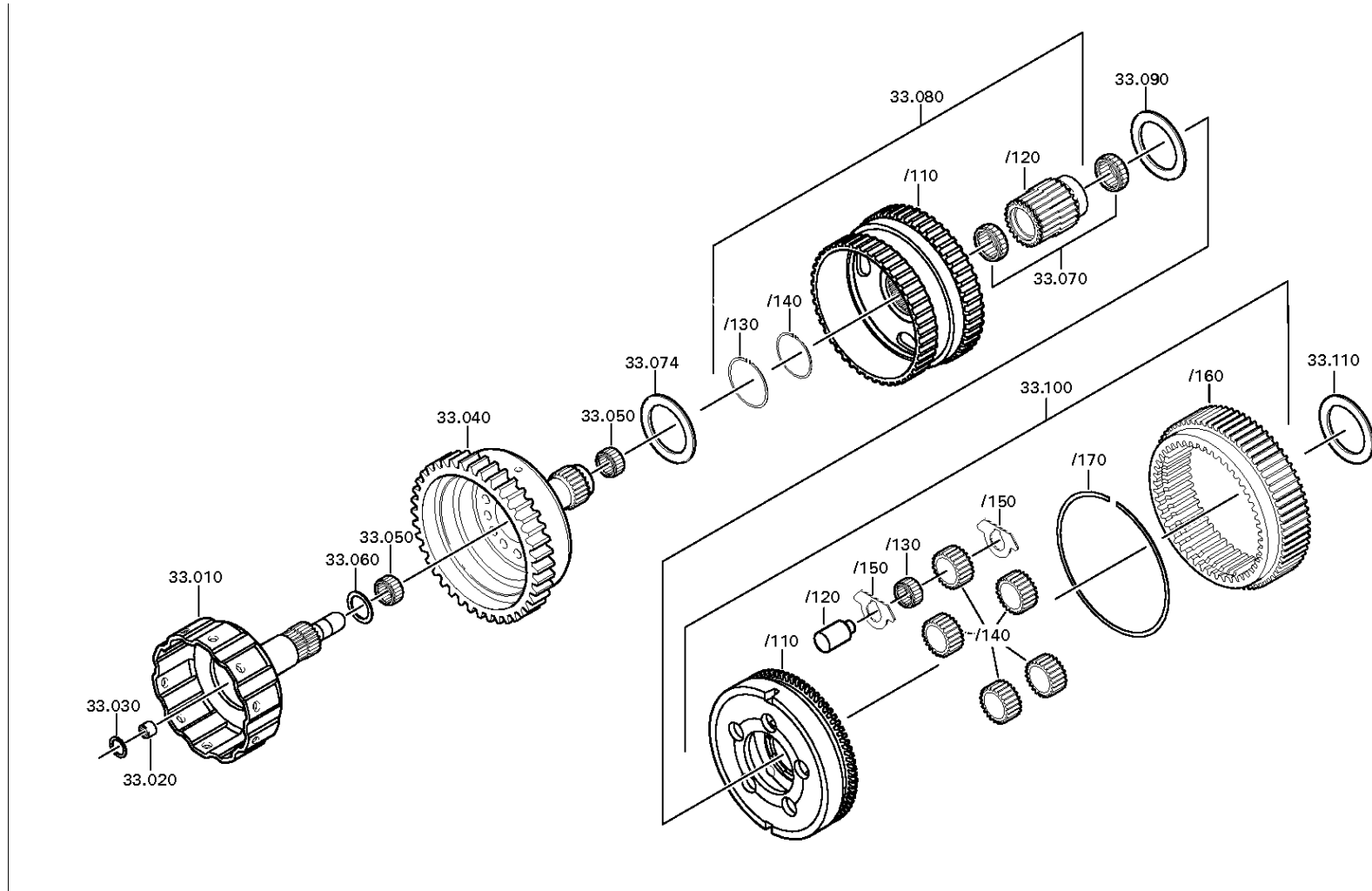
Material number: 4182.004.009

Picture: 004.10.12-1

Material-assembly-group-no: 4149.133.011



6 HP 504 C / ()
GEARBOX



Picture

Page 2 from 2

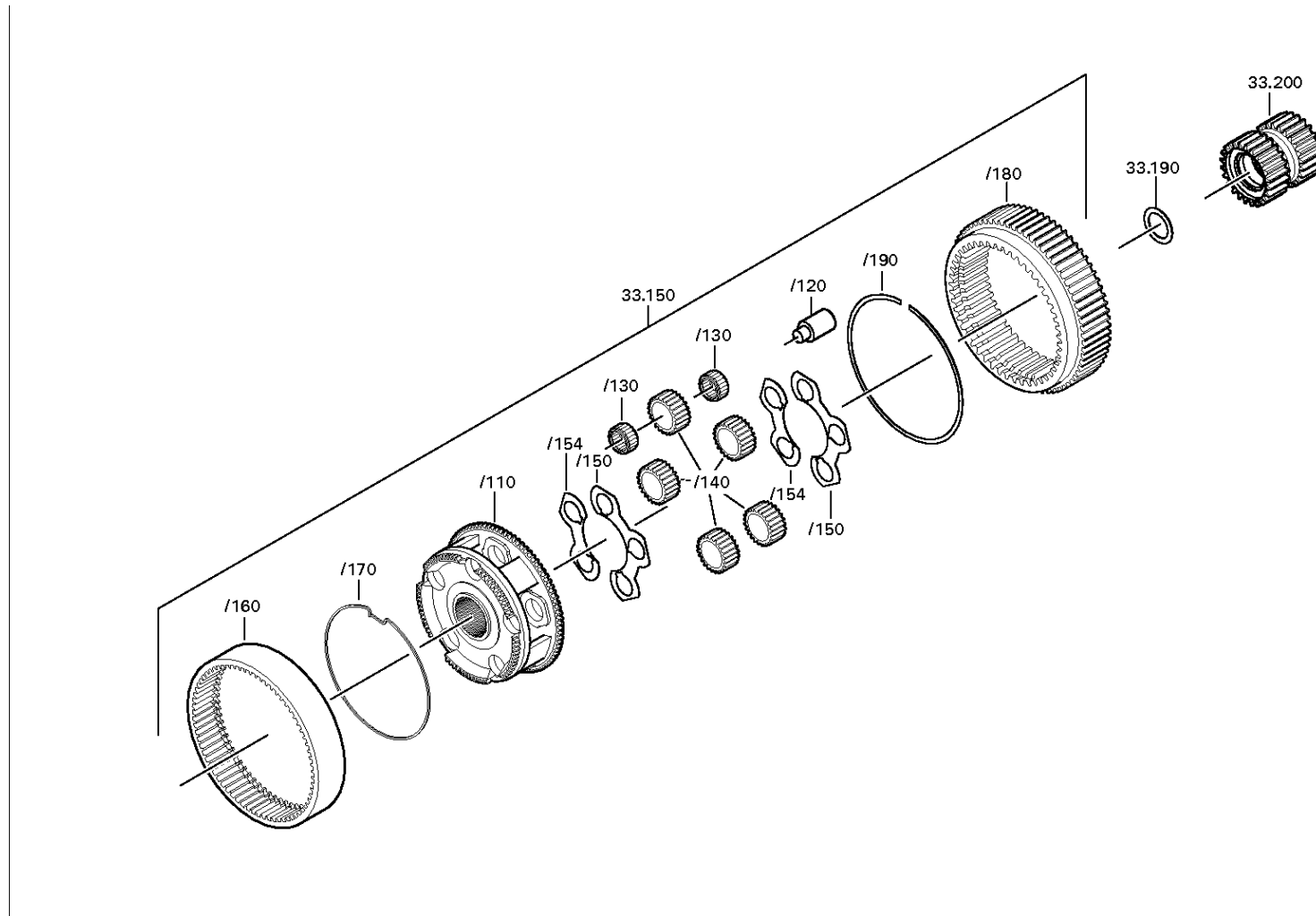
Material number: 4182.004.009

Picture: 004.10.12-2

Material-assembly-group-no: 4149.133.011



6 HP 504 C / ()
GEARBOX



Picture

Page 1 from 2

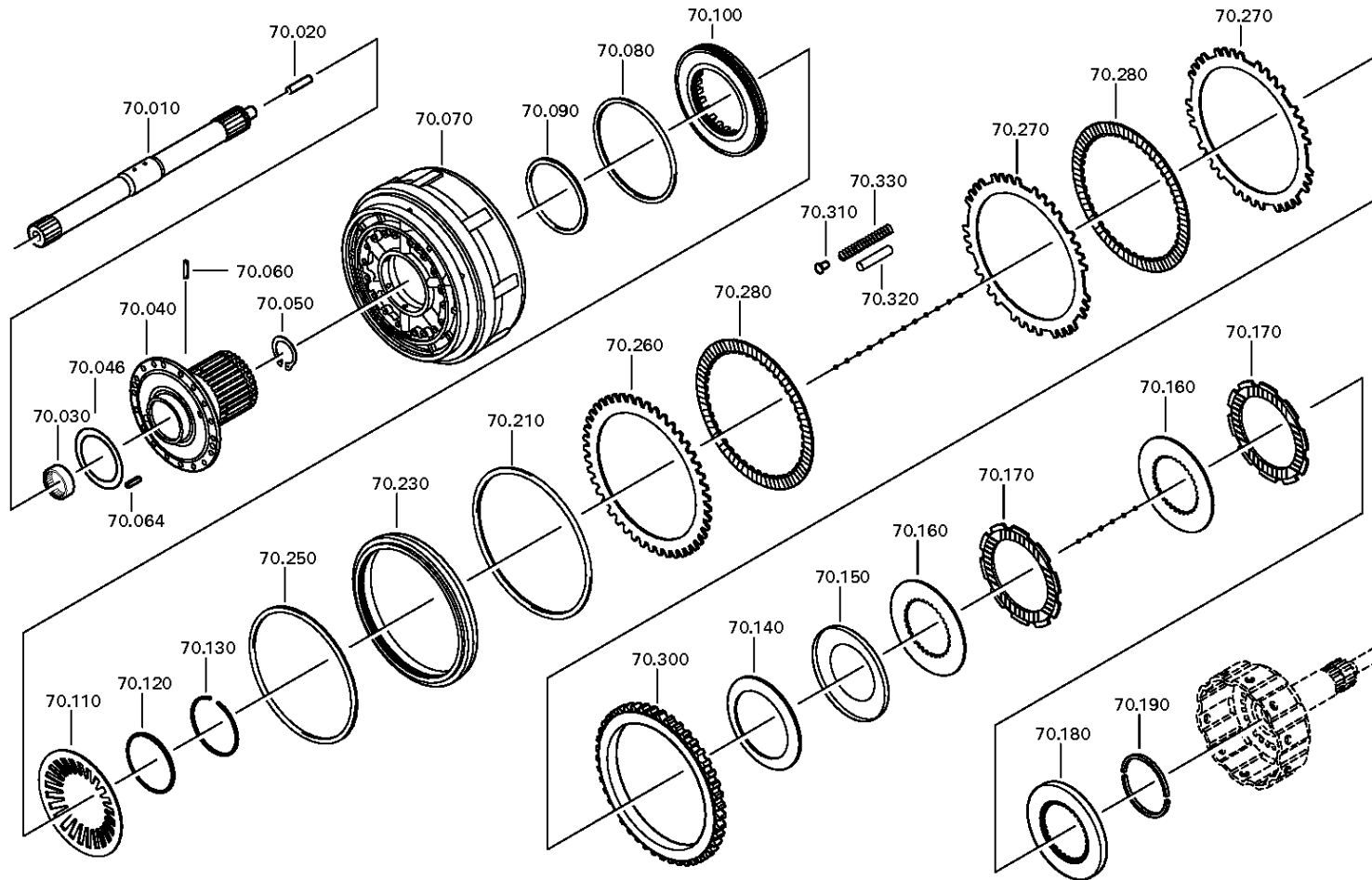
Material number: 4182.004.009

Picture: 004.13.04-1

Material-assembly-group-no: 4149.170.017



6 HP 504 C / ()
COUPLING



Picture

Page 2 from 2

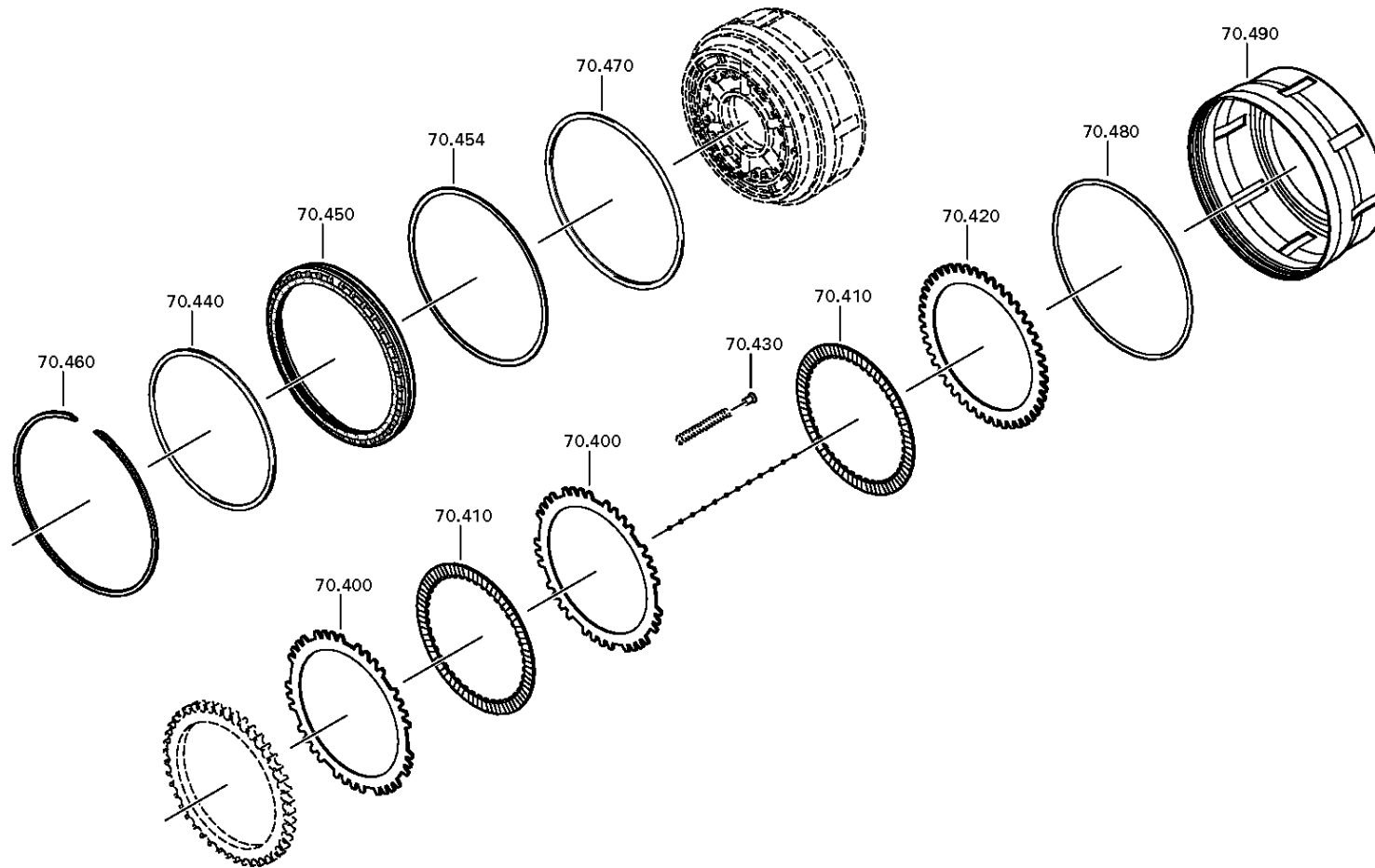
Material number: 4182.004.009

Picture: 004.13.04-2

Material-assembly-group-no: 4149.170.017



6 HP 504 C / ()
COUPLING



Picture

Page 1 from 1

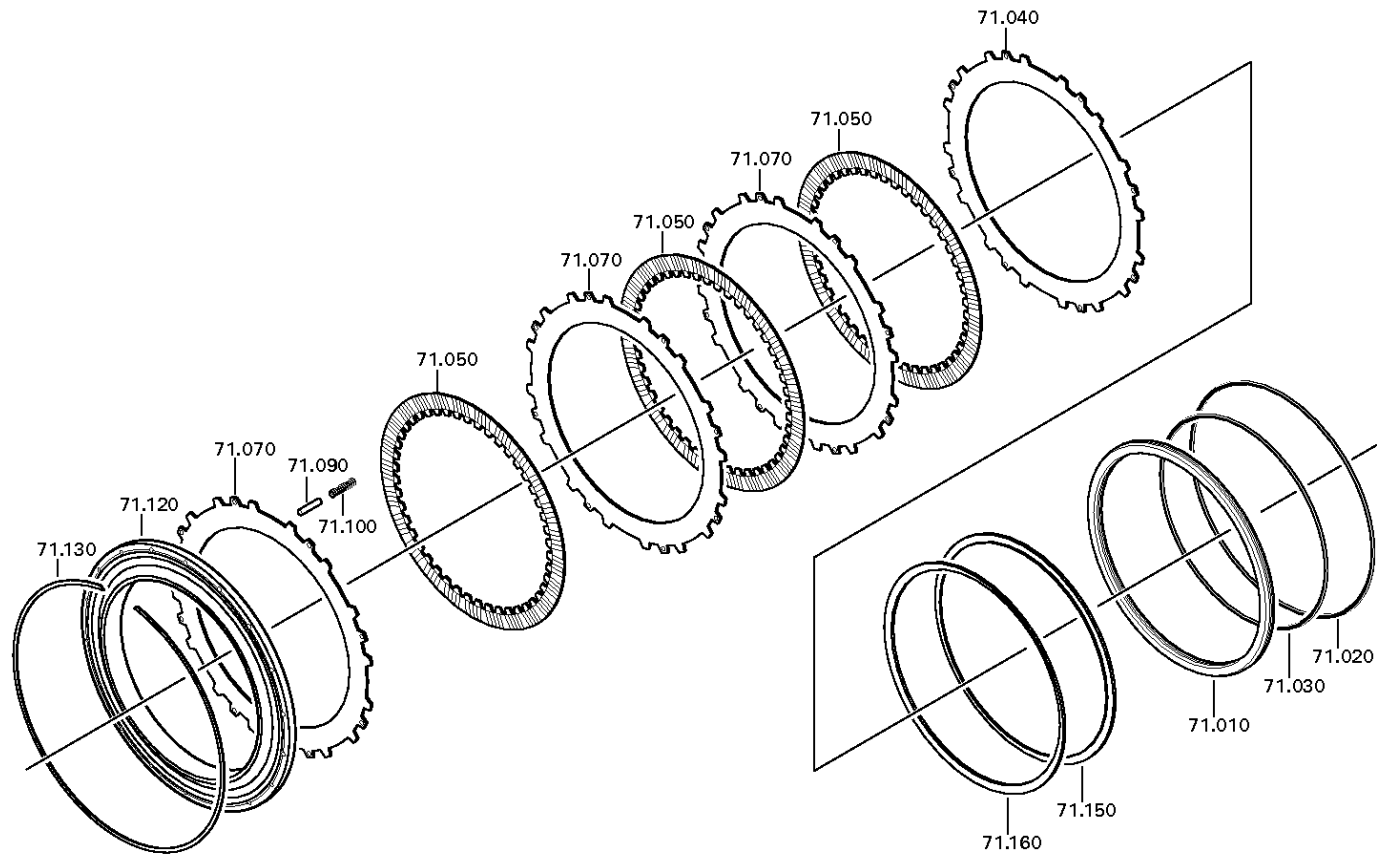
Material number: 4182.004.009

Picture: 004.14.02-1

Material-assembly-group-no: 4149.171.006



6 HP 504 C / ()
BRAKE



Picture

Page 1 from 1

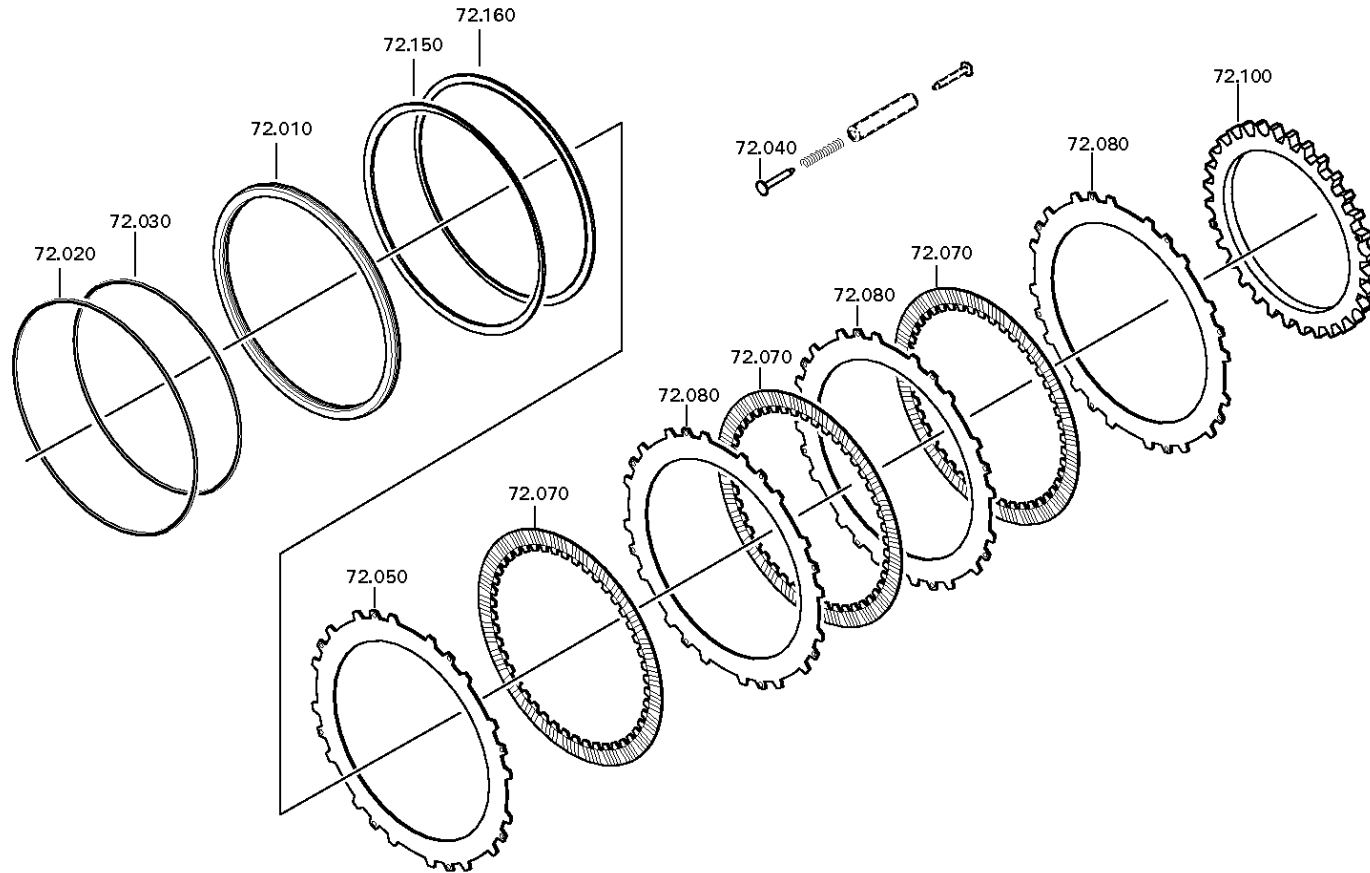
Material number: 4182.004.009

Picture: 004.15.04-1

Material-assembly-group-no: 4149.172.018



6 HP 504 C / ()
BRAKE



Picture

Page 1 from 1

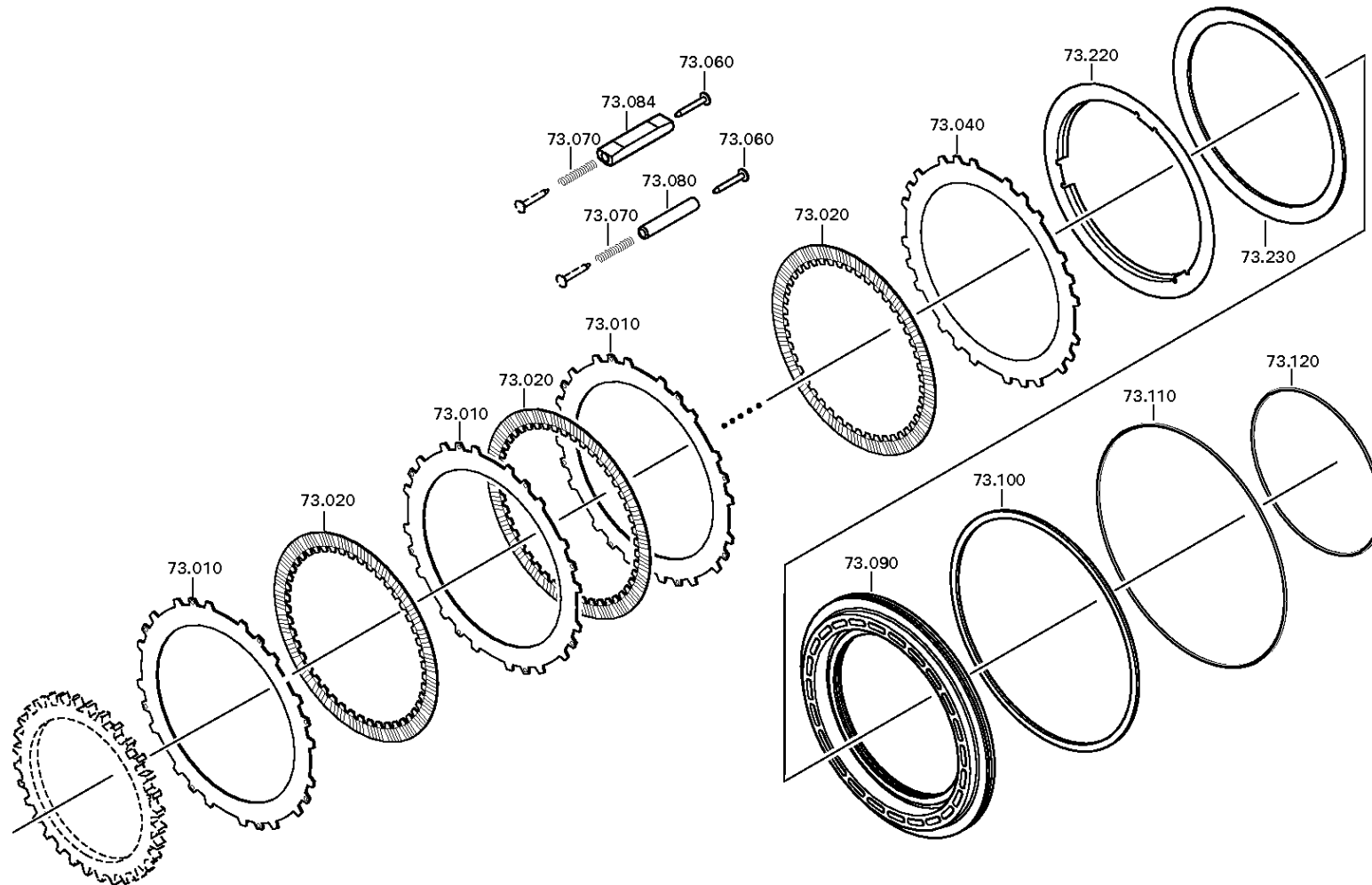
Material number: 4182.004.009

Picture: 004.16.09-1

Material-assembly-group-no: 4149.173.025



6 HP 504 C / ()
BRAKE



Picture

Page 1 from 2

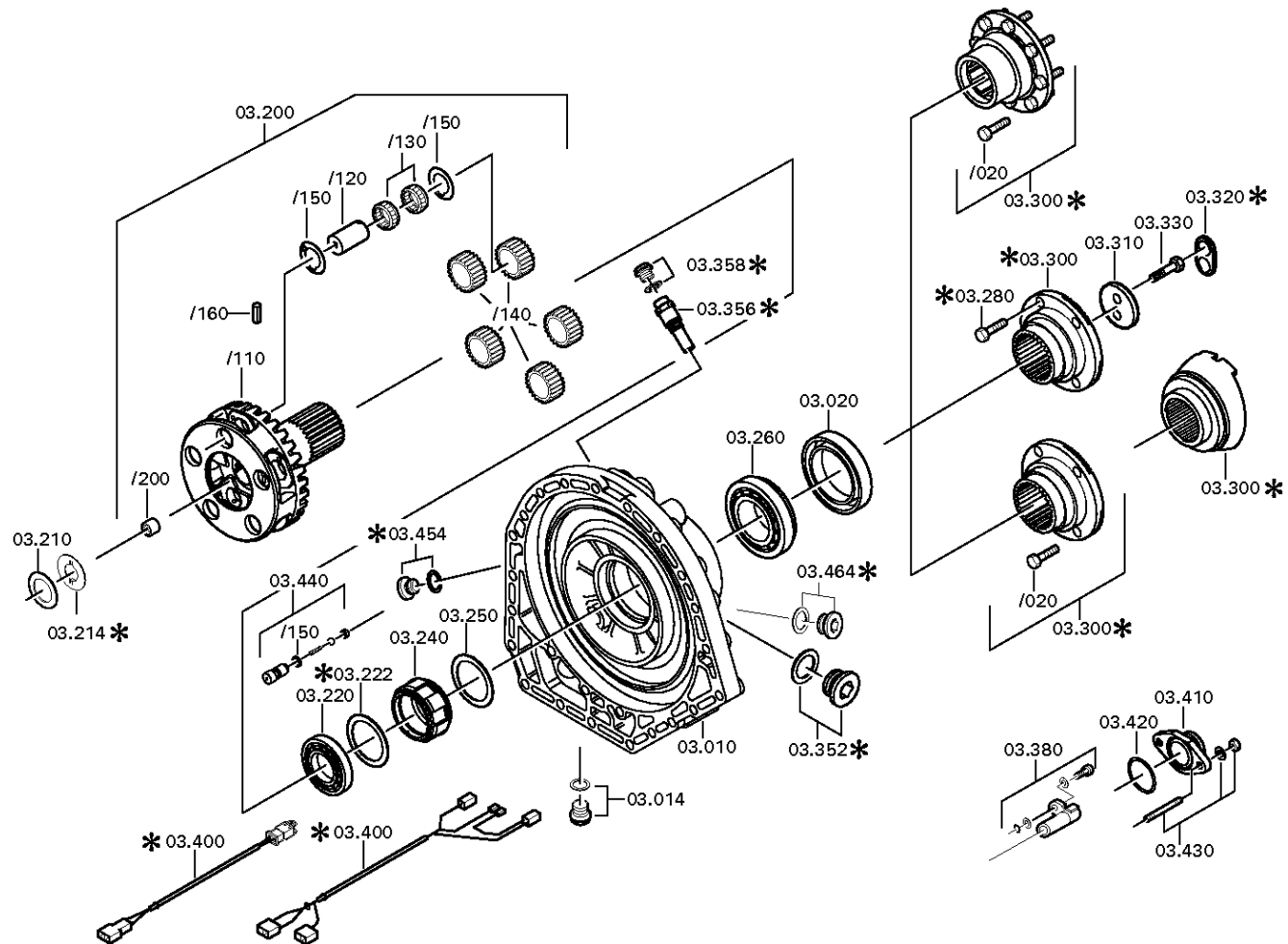
Material number: 4182.004.009

Picture: 004.20.51-1

Material-assembly-group-no: 4149.103.172



6 HP 504 C / ()
OUTPUT



Picture

Page 2 from 2

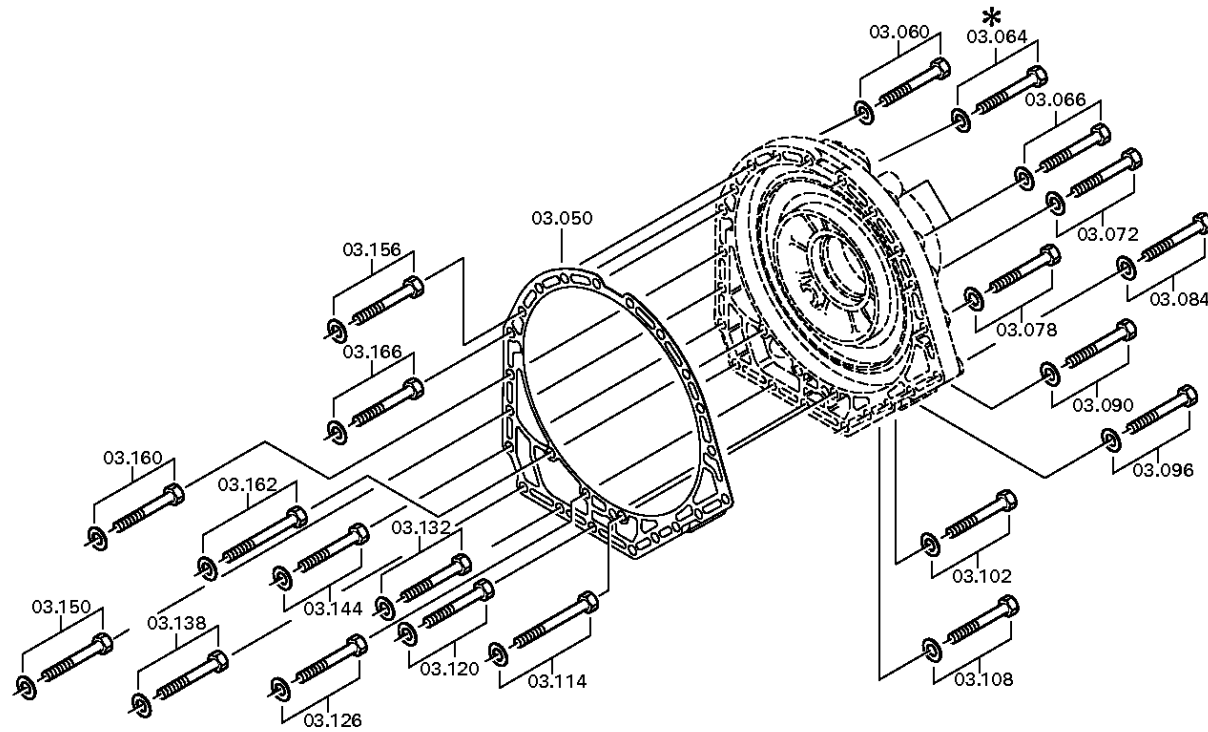
Material number: 4182.004.009

Picture: 004.20.62-1

Material-assembly-group-no: 4149.103.172



6 HP 504 C / ()
OUTPUT



Picture

Page 1 from 5

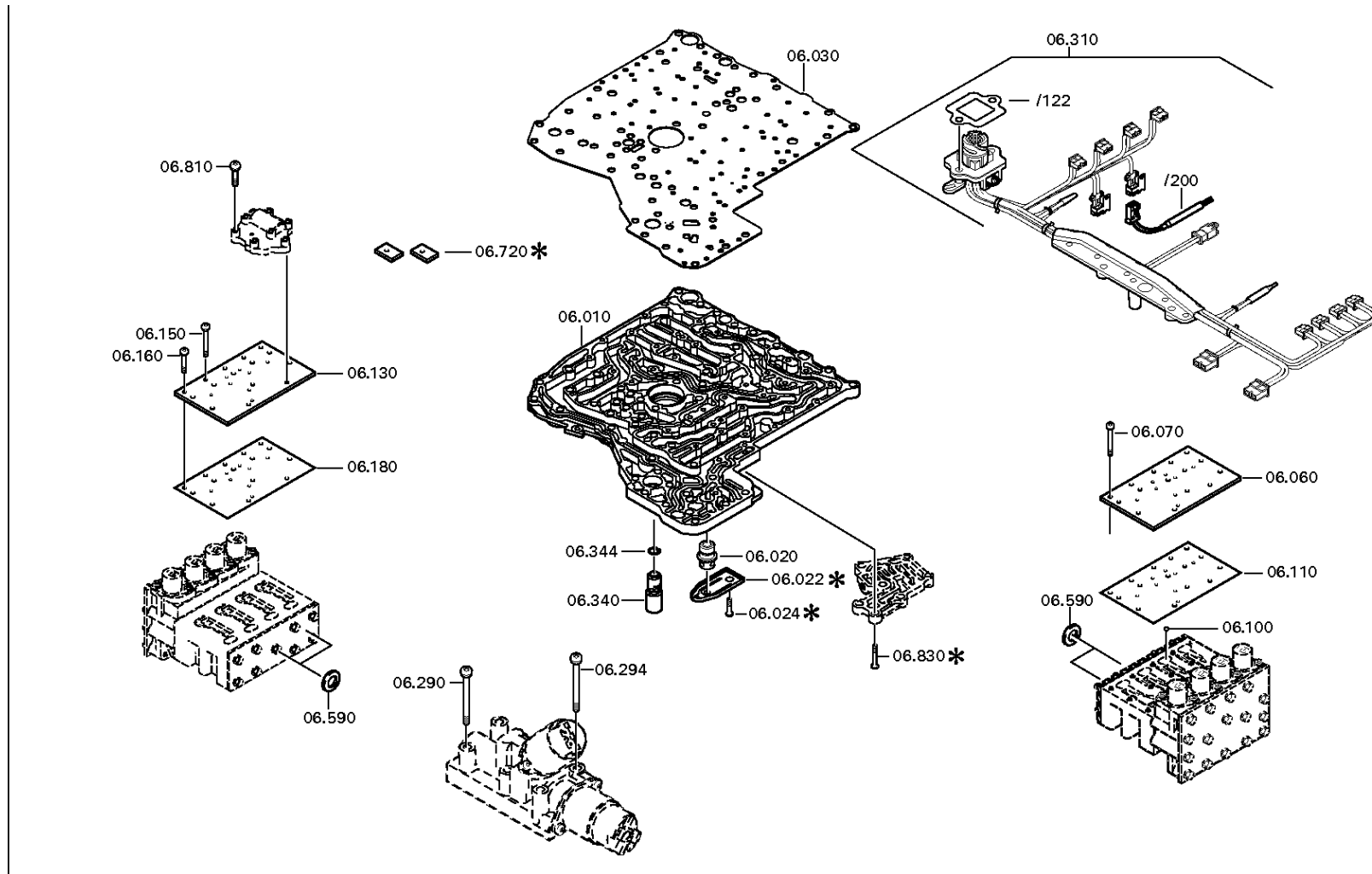
Material number: 4182.004.009

Picture: 004.48.13-1

Material-assembly-group-no: 4182.106.003



6 HP 504 C / ()
SHIFT CONTROL



Picture

Page 2 from 5

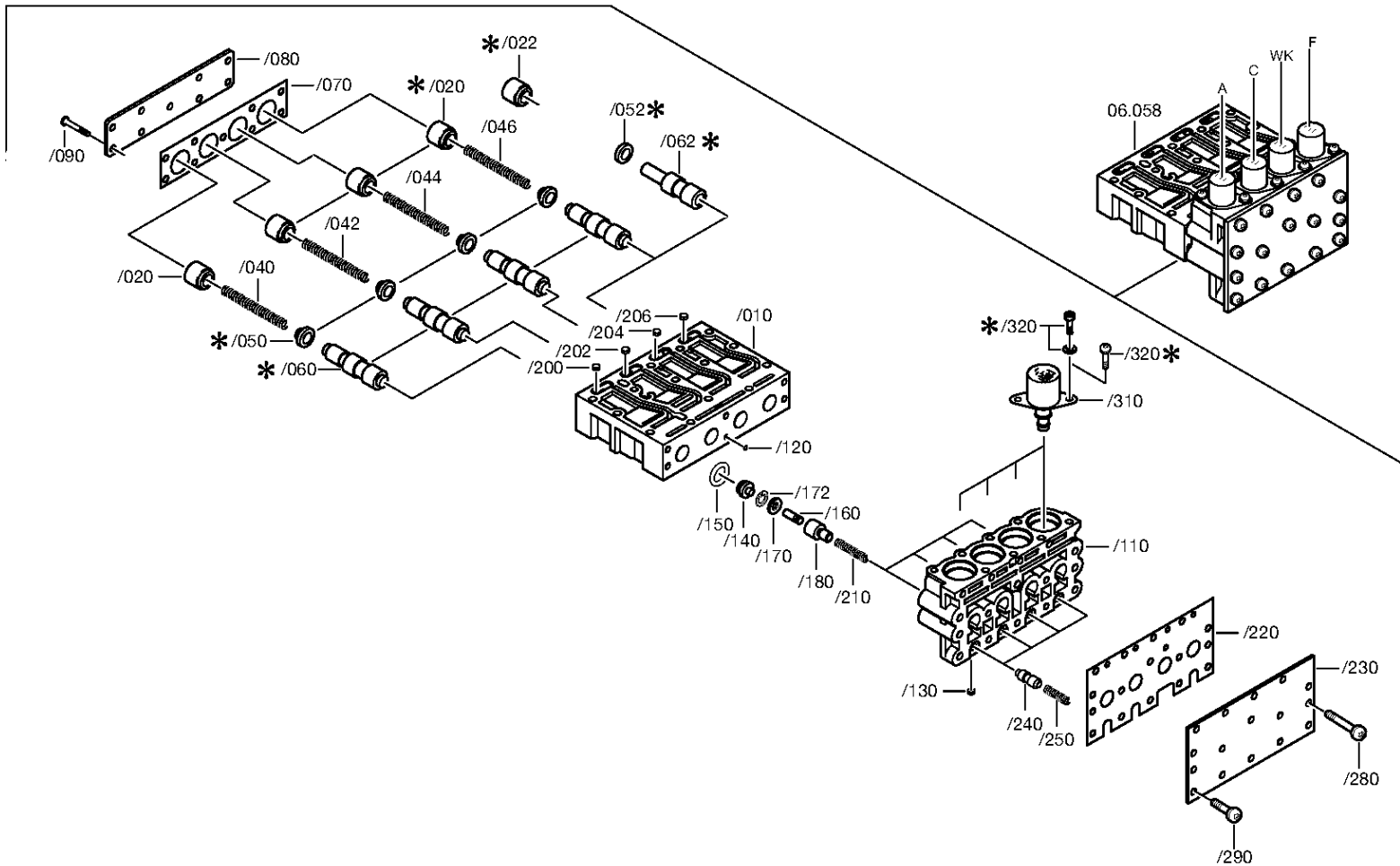
Material number: 4182.004.009

Picture: 004.48.13-2

Material-assembly-group-no: 4182.106.003



6 HP 504 C / ()
SHIFT CONTROL



Picture

Page 3 from 5

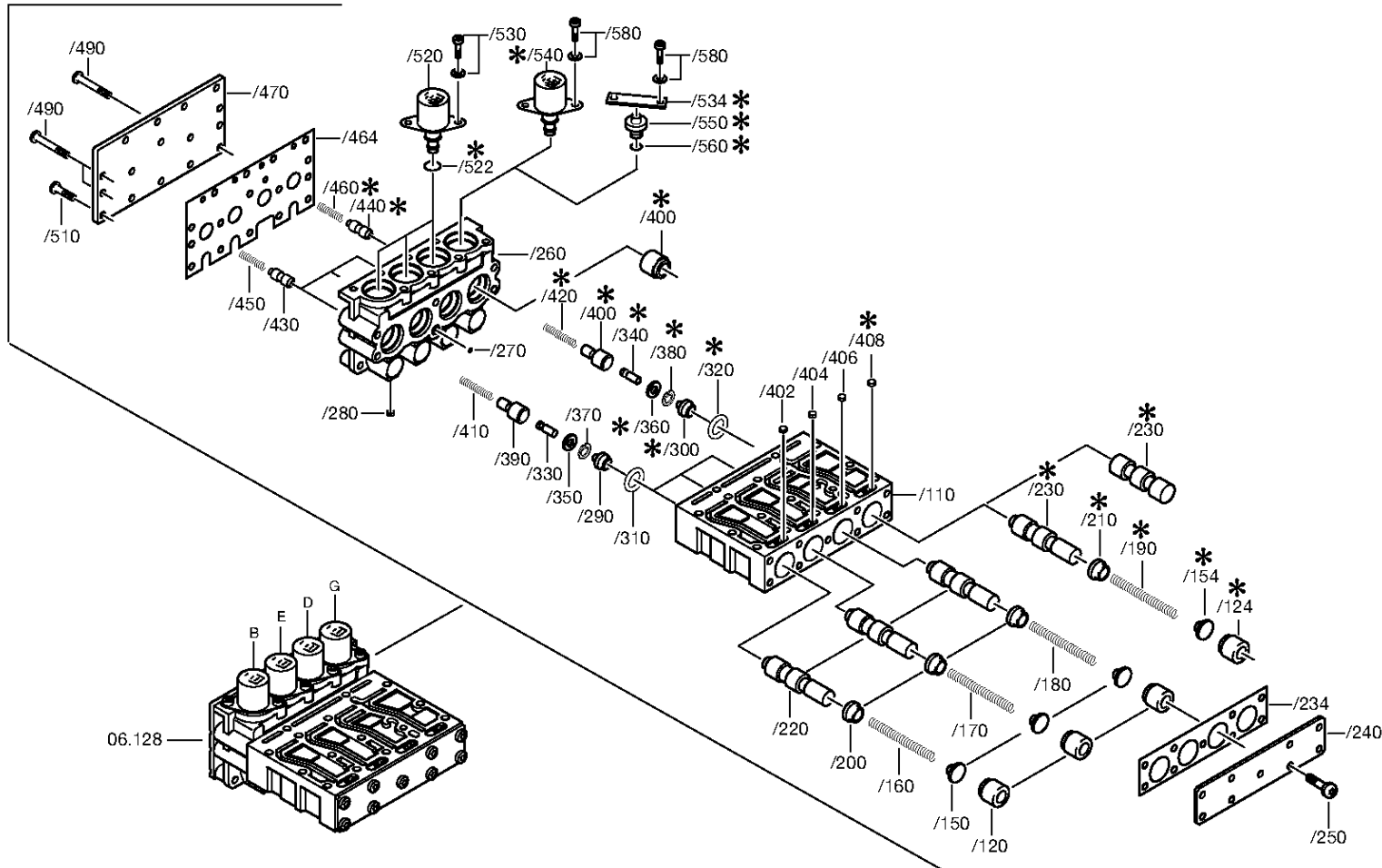
Material number: 4182.004.009

Picture: 004.48.13-3

Material-assembly-group-no: 4182.106.003



6 HP 504 C / ()
SHIFT CONTROL



Picture

Page 4 from 5

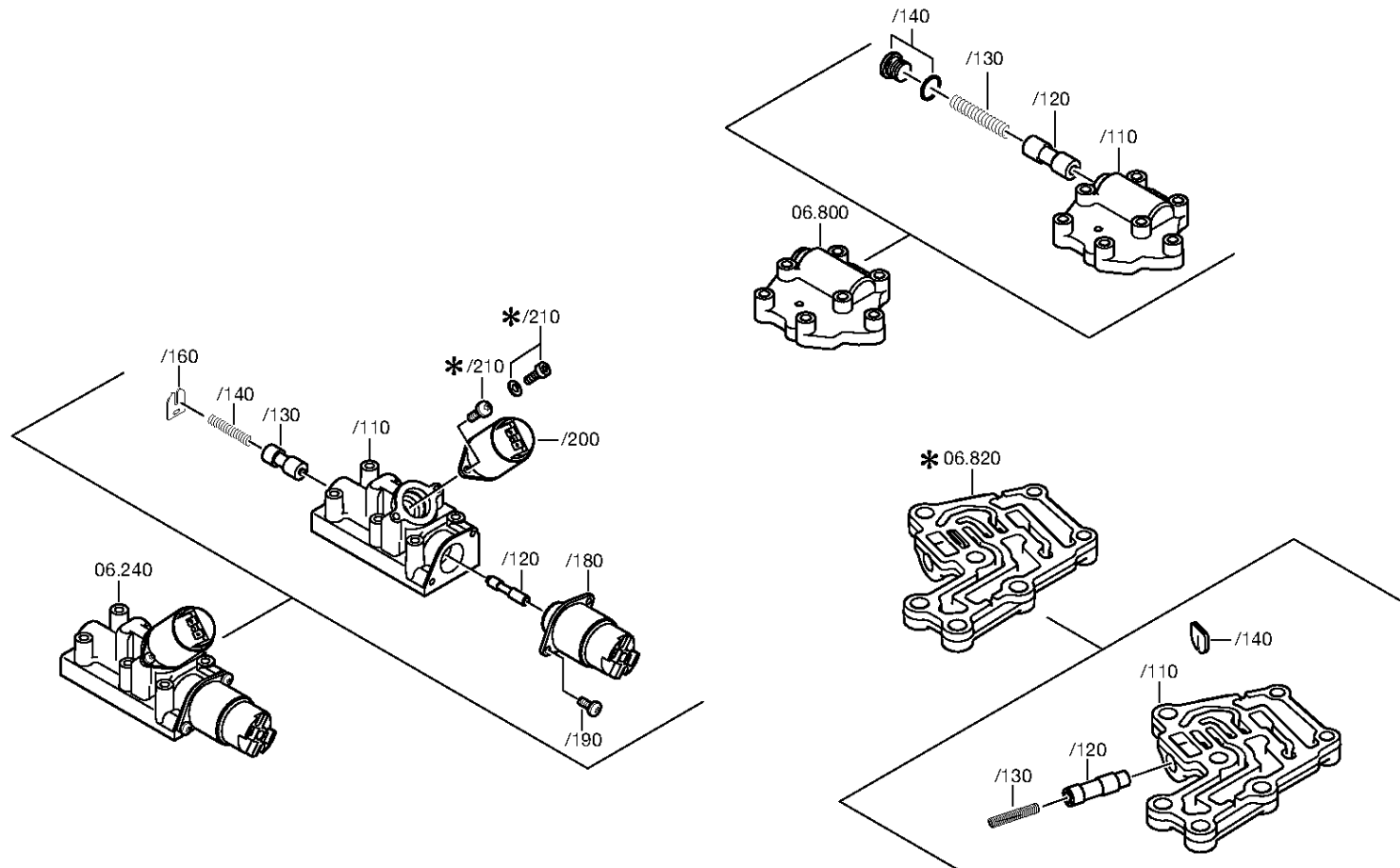
Material number: 4182.004.009

Picture: 004.48.13-4

Material-assembly-group-no: 4182.106.003



6 HP 504 C / ()
SHIFT CONTROL



Picture

Page 5 from 5

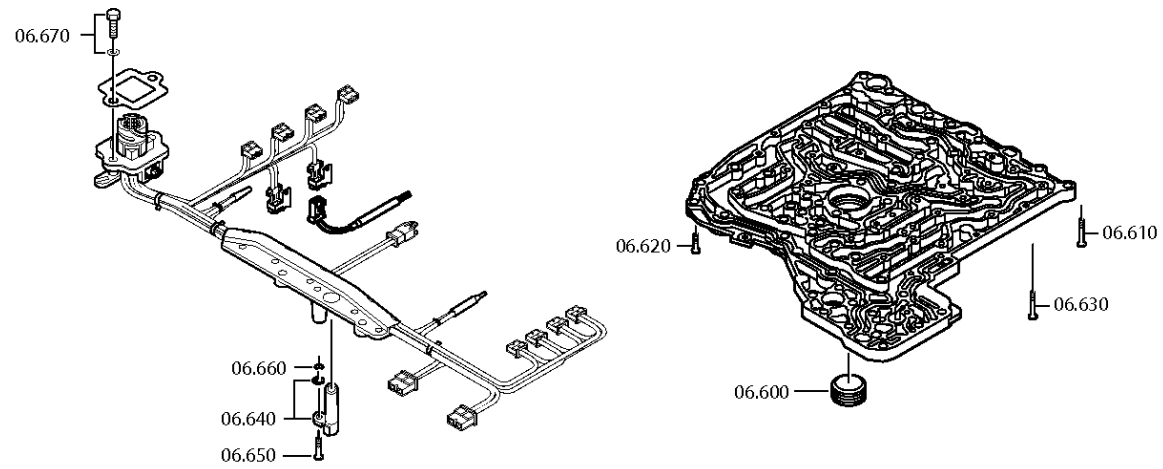
Material number: 4182.004.009

Picture: 004.48.81-1

Material-assembly-group-no: 4182.106.003



6 HP 504 C / ()
SHIFT CONTROL



Picture

Page 1 from 4

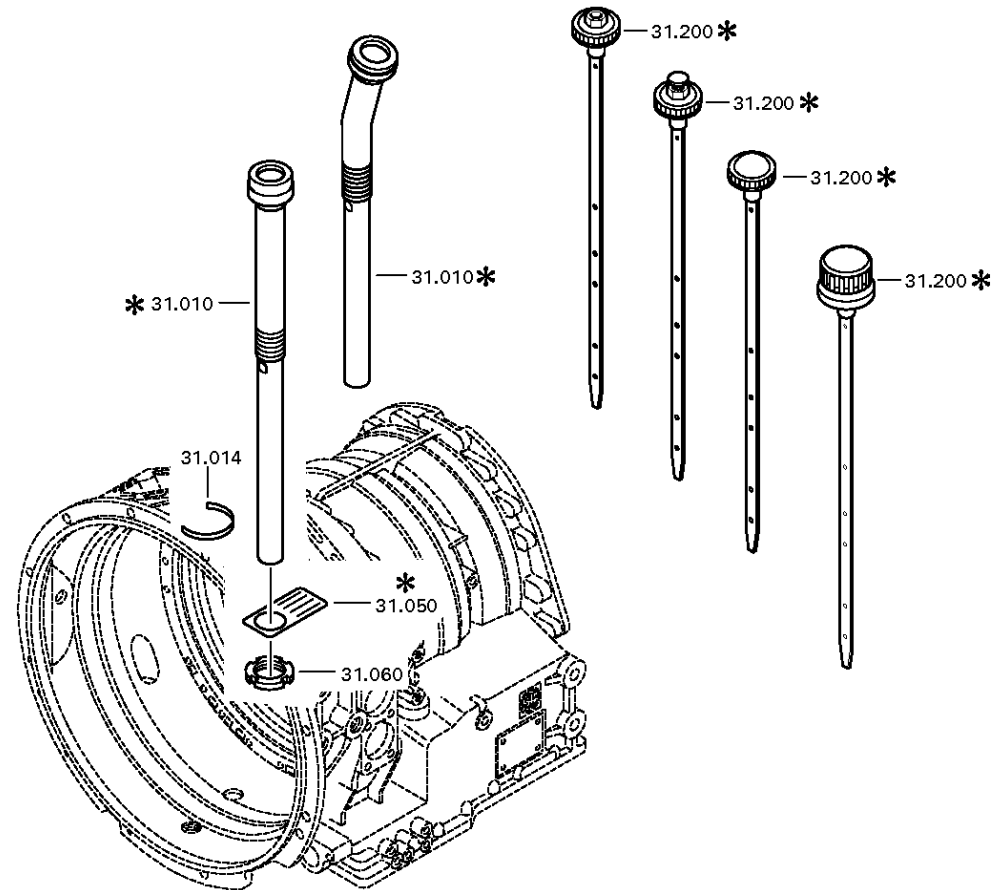
Material number: 4182.004.009

Picture: 004.56.40-1

Material-assembly-group-no: 4139.131.050



6 HP 504 C / ()
DIPSTICK PARTS



Picture

Page 2 from 4

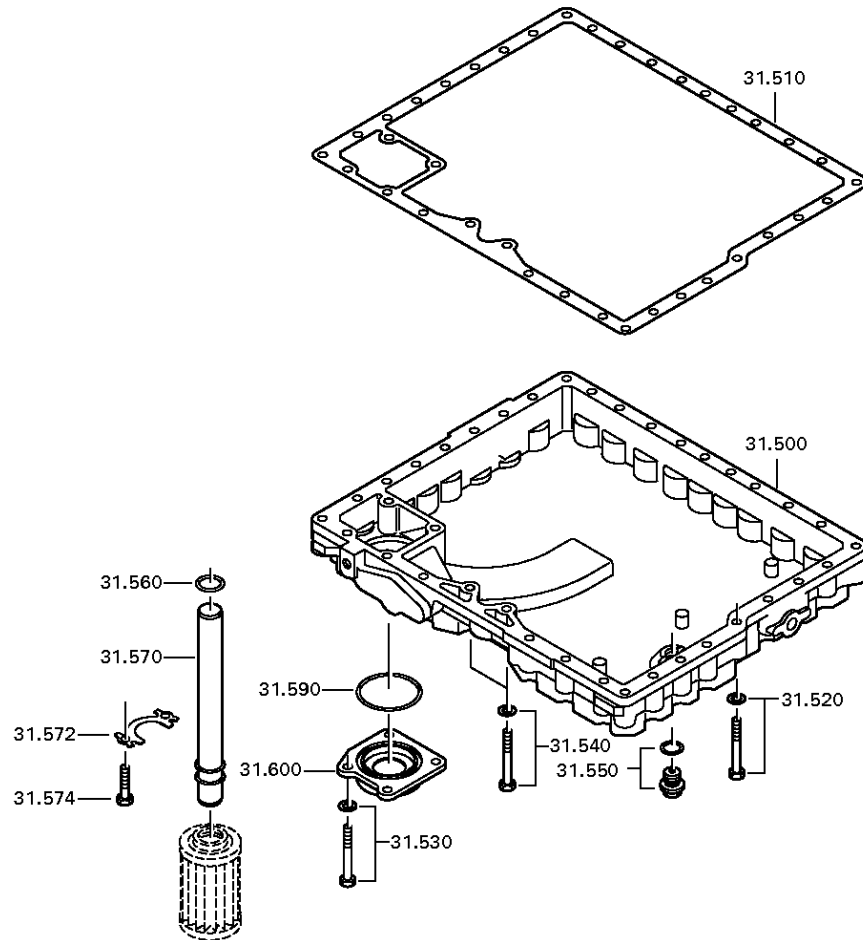
Material number: 4182.004.009

Picture: 004.56.07-1

Material-assembly-group-no: 4139.131.050



6 HP 504 C / ()
DIPSTICK PARTS



Picture

Page 3 from 4

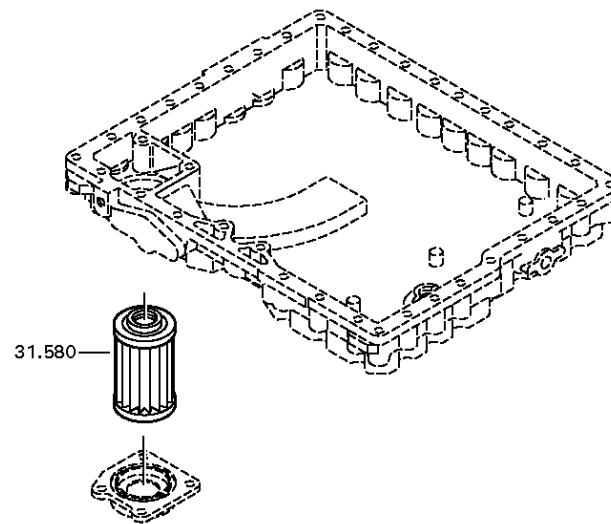
Material number: 4182.004.009

Picture: 004.56.13-1

Material-assembly-group-no: 4139.131.050



6 HP 504 C / ()
DIPSTICK PARTS



Picture

Page 4 from 4

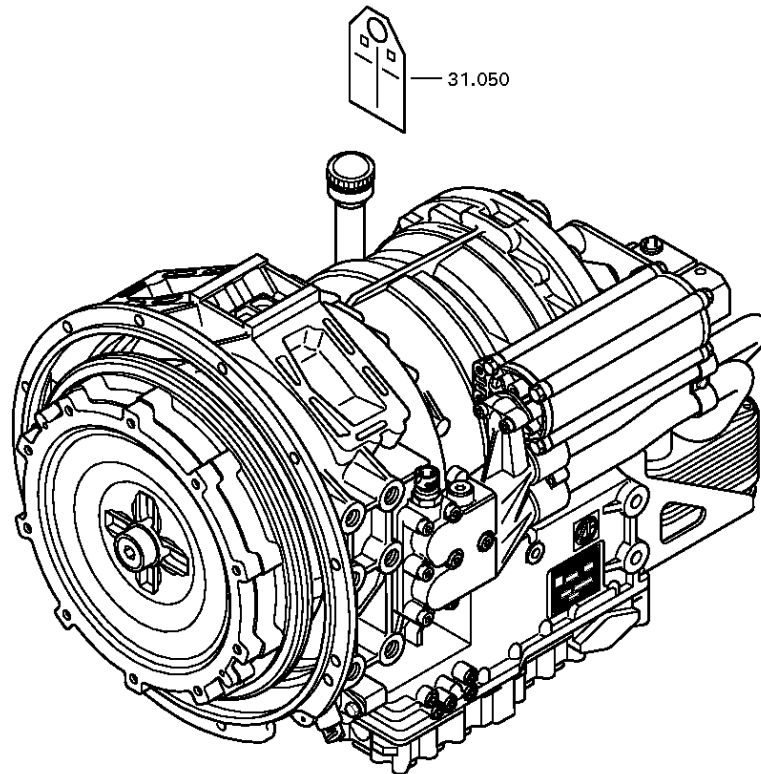
Material number: 4182.004.009

Picture: 004.56.69-1

Material-assembly-group-no: 4139.131.050



6 HP 504 C / ()
DIPSTICK PARTS



Picture

Page 1 from 2

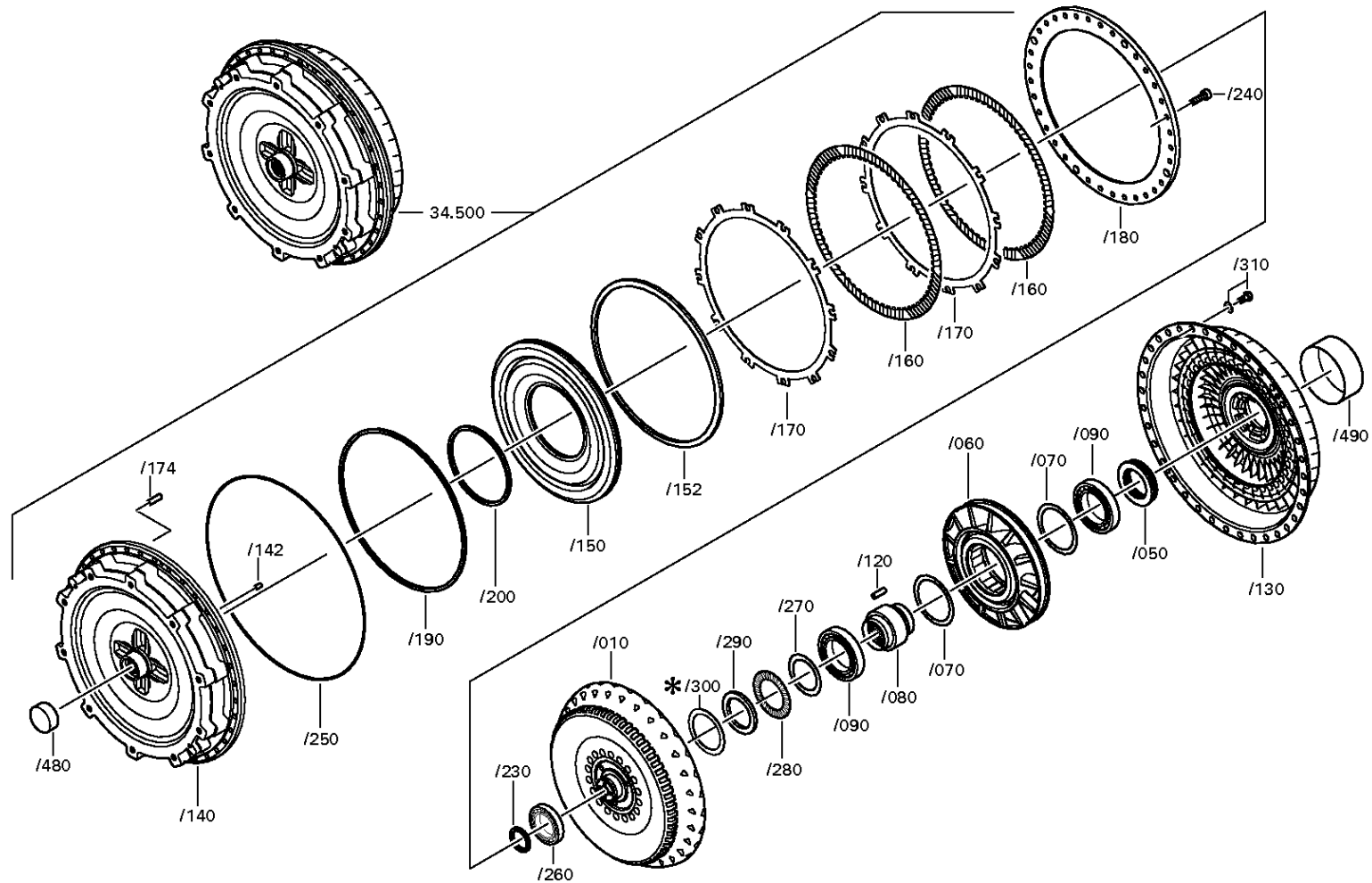
Material number: 4182.004.009

Picture: 004.59.08-1

Material-assembly-group-no: 4149.134.191



6 HP 504 C / ()
CONVERTER



Picture

Page 2 from 2

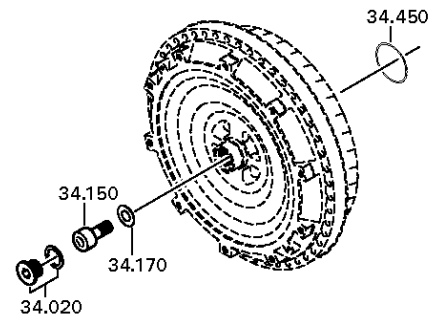
Material number: 4182.004.009

Picture: 004.59.80-1

Material-assembly-group-no: 4149.134.191



6 HP 504 C / ()
CONVERTER



Picture

Page 1 from 1

Material number: 4182.004.009

Picture: 004.90.34-1

Material-assembly-group-no: 4149.147.017



6 HP 504 C / ()
HEAT EXCHANGER

