



Spare Parts Catalog

9 S 1110 TD

()

Material number: 1324.002.082

Current date: 24.03.2026

ZF Friedrichshafen AG
Hauptverwaltung
80038 Friedrichshafen
Deutschland

Telefon: +49 7541 77-0

Telefax: +49 7541 77-908000

www.zf.com

zuständiges Werk:
Friedrichshafen

Picture

Page 1 from 4

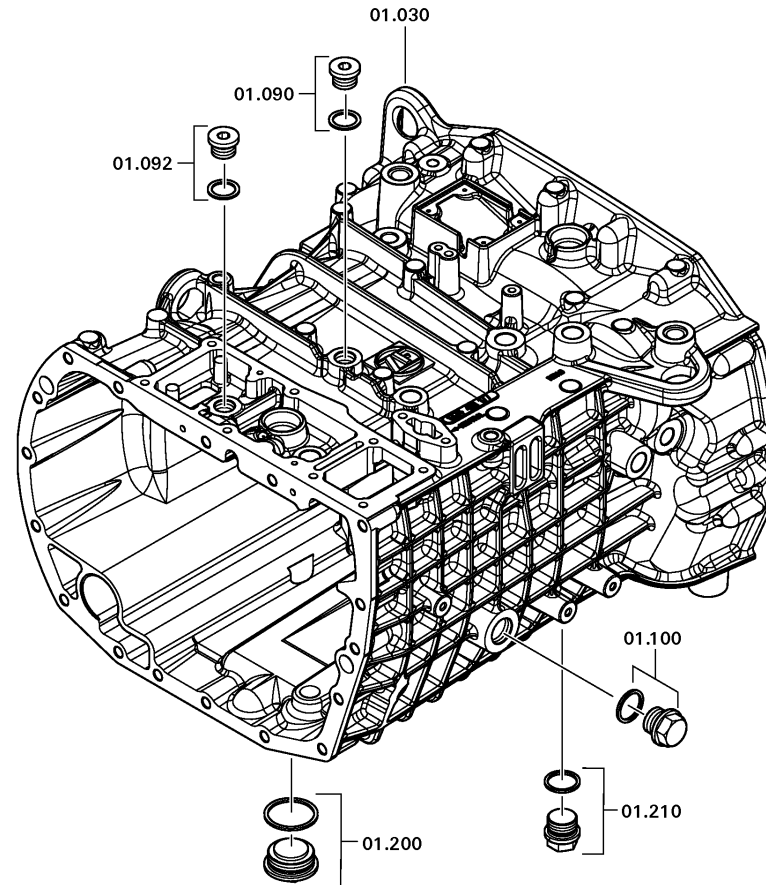
Material number: 1324.002.082

Picture: 062.001.015

Material-assembly-group-no: 1324.101.065



9 S 1110 TD / ()
TRANSMISSION HOUSING



Picture

Page 2 from 4

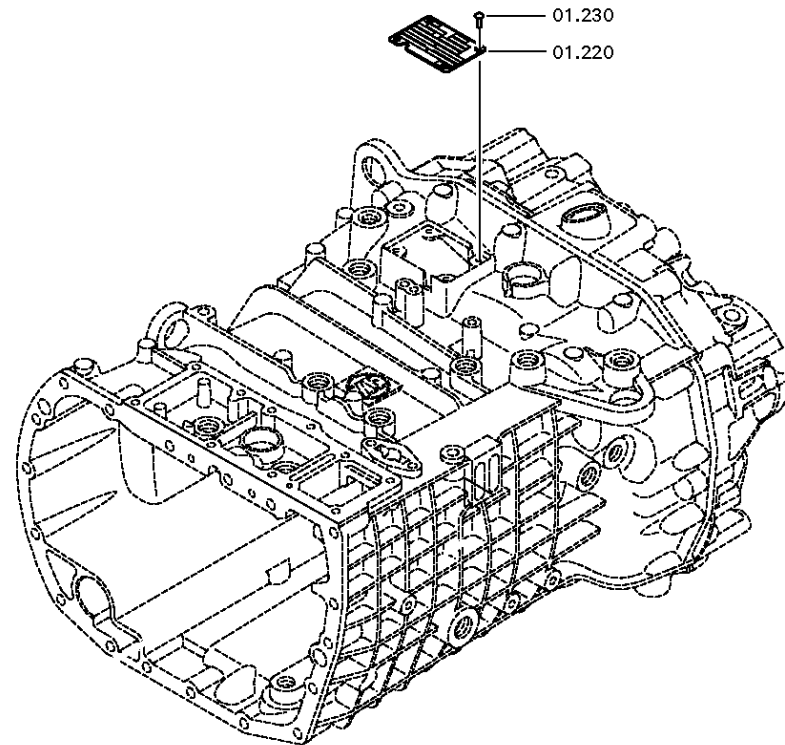
Material number: 1324.002.082

Picture: 062.01.50-1

Material-assembly-group-no: 1324.101.065



9 S 1110 TD / ()
TRANSMISSION HOUSING



Picture

Page 3 from 4

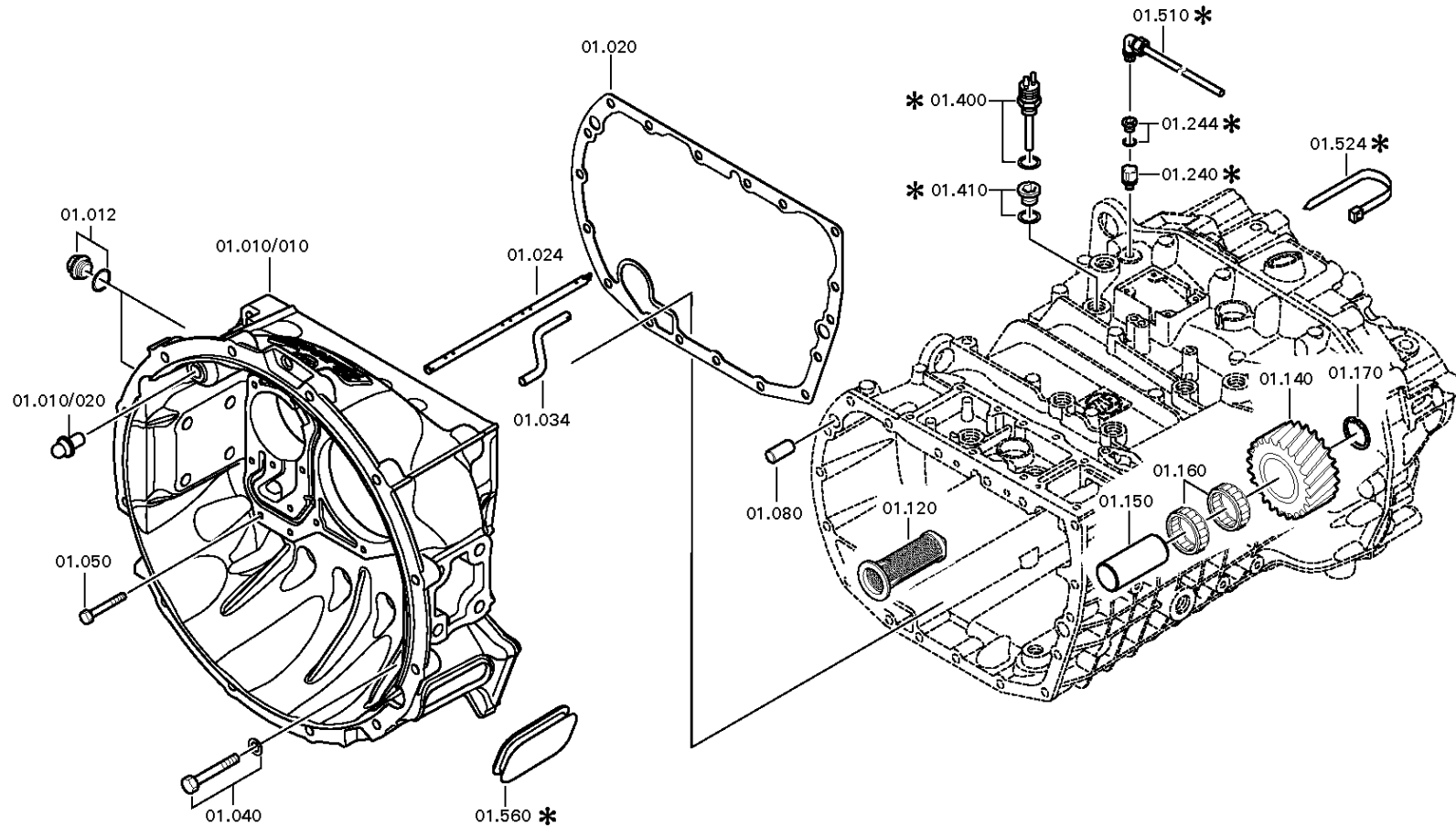
Material number: 1324.002.082

Picture: 062.01.78-1

Material-assembly-group-no: 1324.101.065



9 S 1110 TD / ()
TRANSMISSION HOUSING



Picture

Page 4 from 4

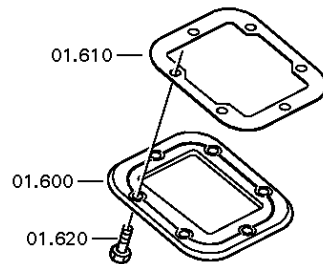
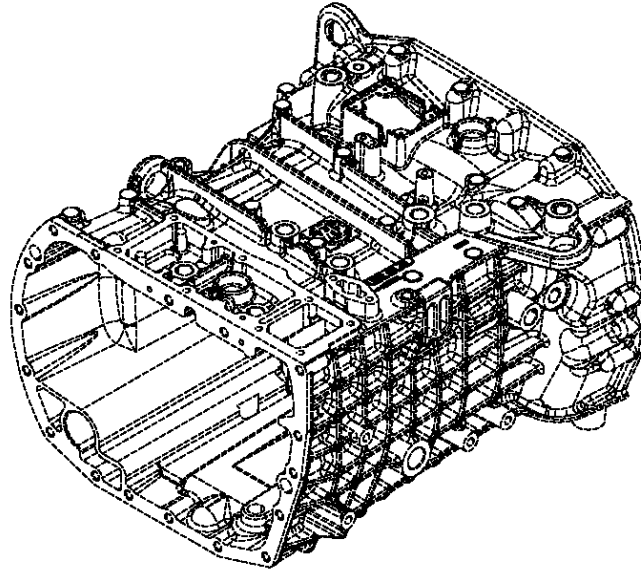
Material number: 1324.002.082

Picture: 062.01.96-1

Material-assembly-group-no: 1324.101.065



9 S 1110 TD / ()
TRANSMISSION HOUSING



Picture

Page 1 from 3

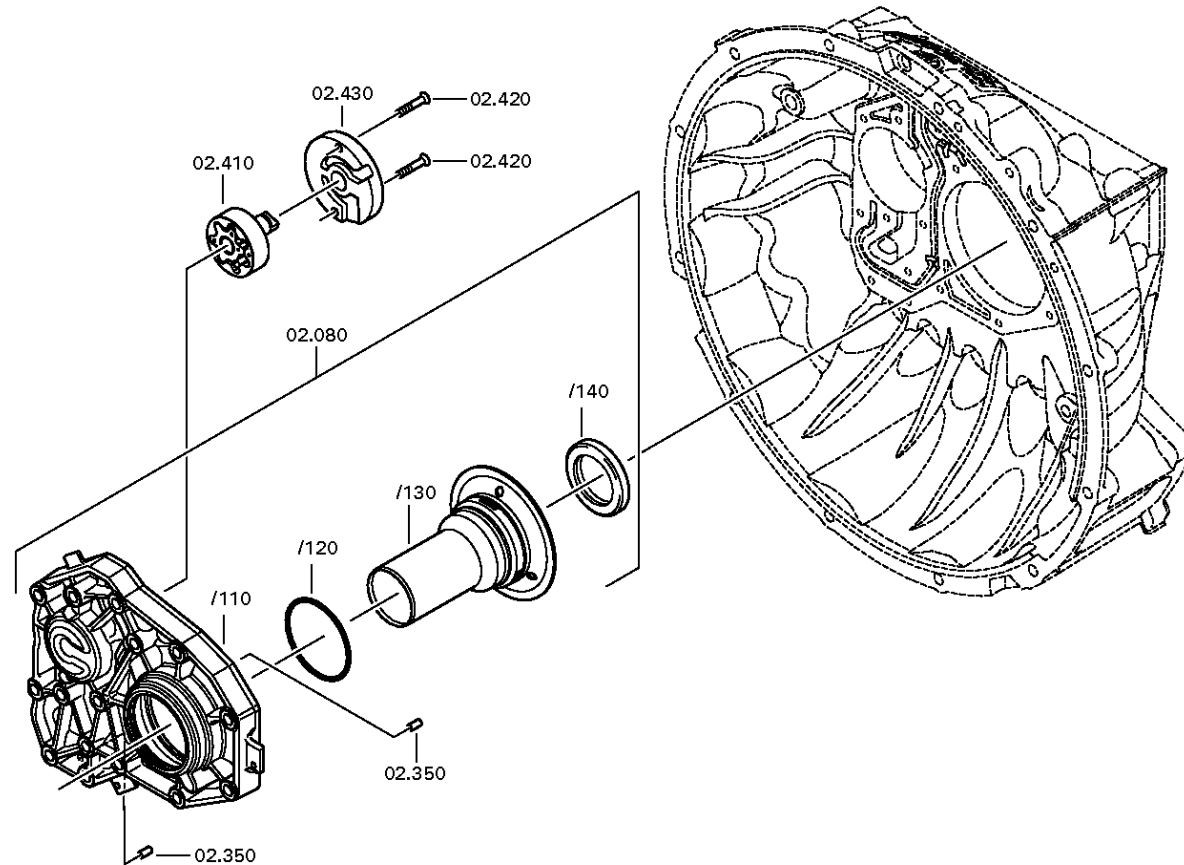
Material number: 1324.002.082

Picture: 062.02.44-1

Material-assembly-group-no: 1324.102.405



9 S 1110 TD / ()
CONNECTION PLATE



Picture

Page 2 from 3

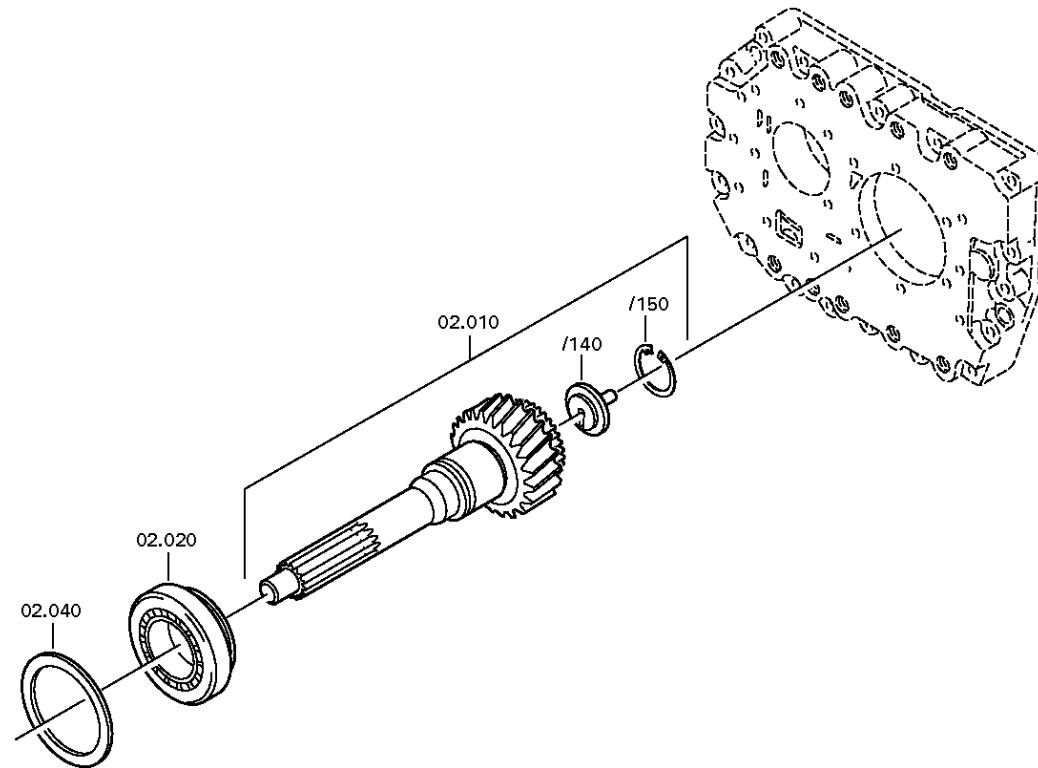
Material number: 1324.002.082

Picture: 062.02.07-1

Material-assembly-group-no: 1324.102.405



9 S 1110 TD / ()
CONNECTION PLATE



Picture

Page 3 from 3

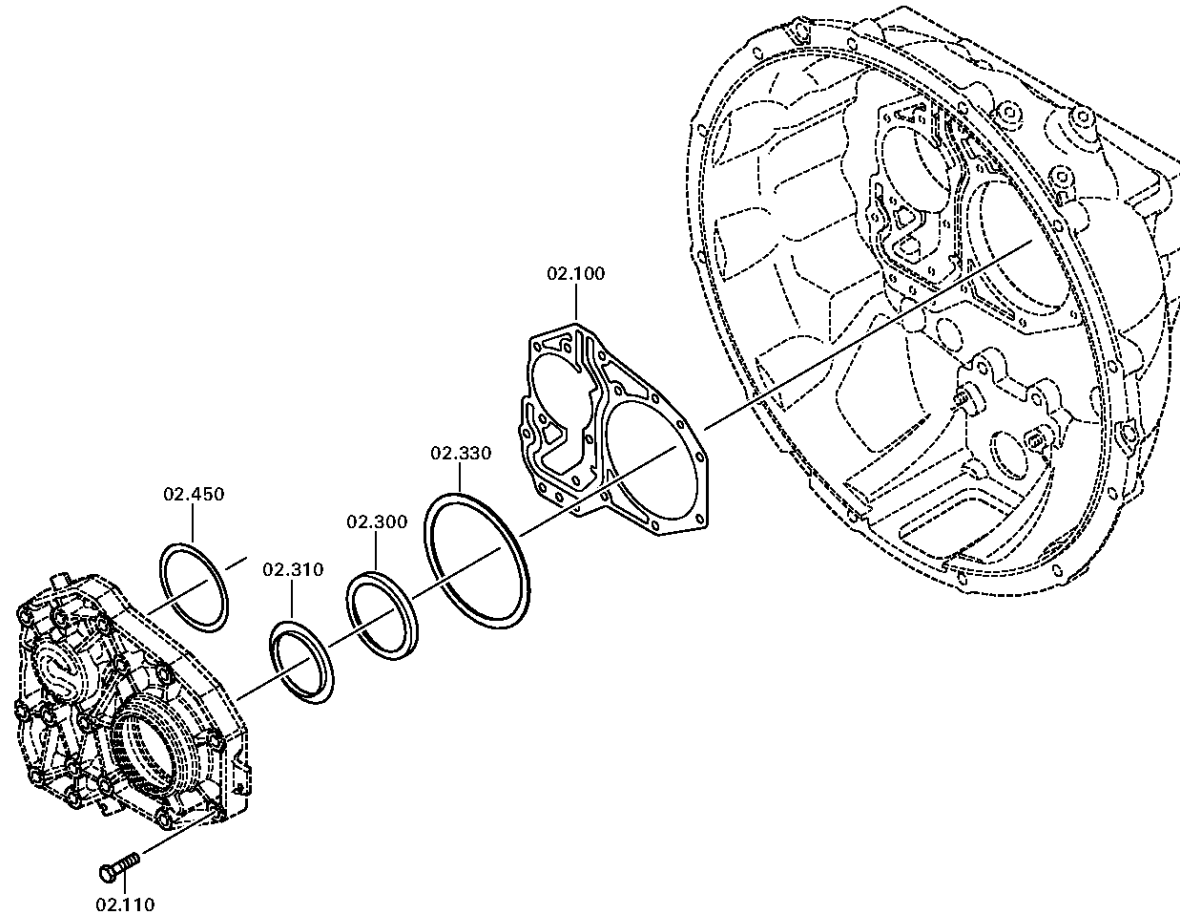
Material number: 1324.002.082

Picture: 062.02.80-1

Material-assembly-group-no: 1324.102.405



9 S 1110 TD / ()
CONNECTION PLATE



Picture

Page 1 from 1

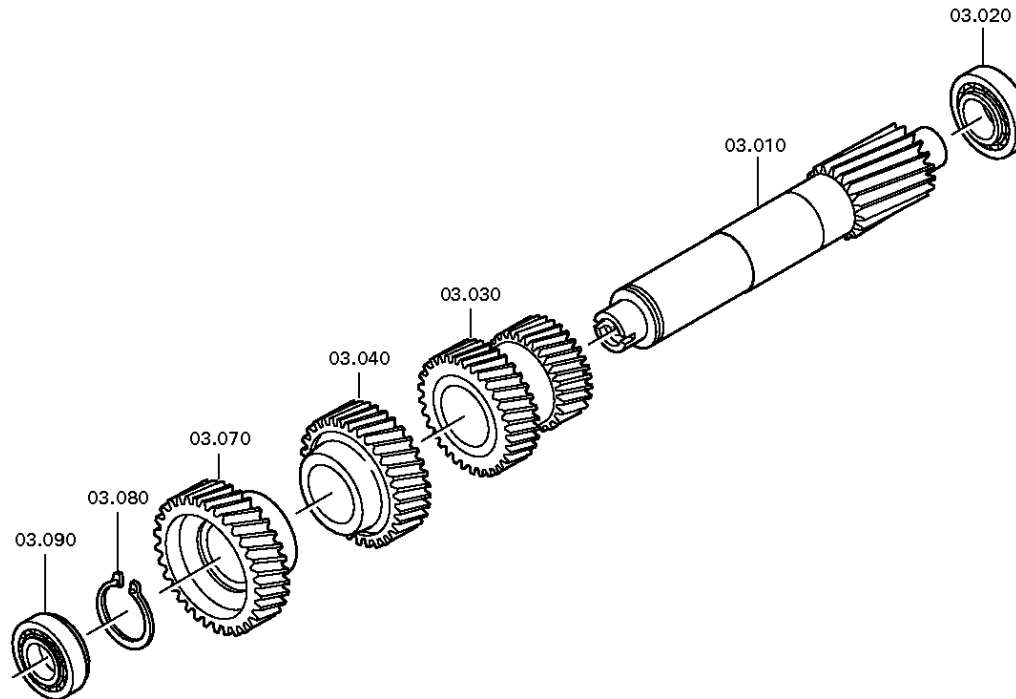
Material number: 1324.002.082

Picture: 062.03.07-1

Material-assembly-group-no: 1324.103.004



9 S 1110 TD / ()
COUNTERSHAFT



Picture

Page 1 from 2

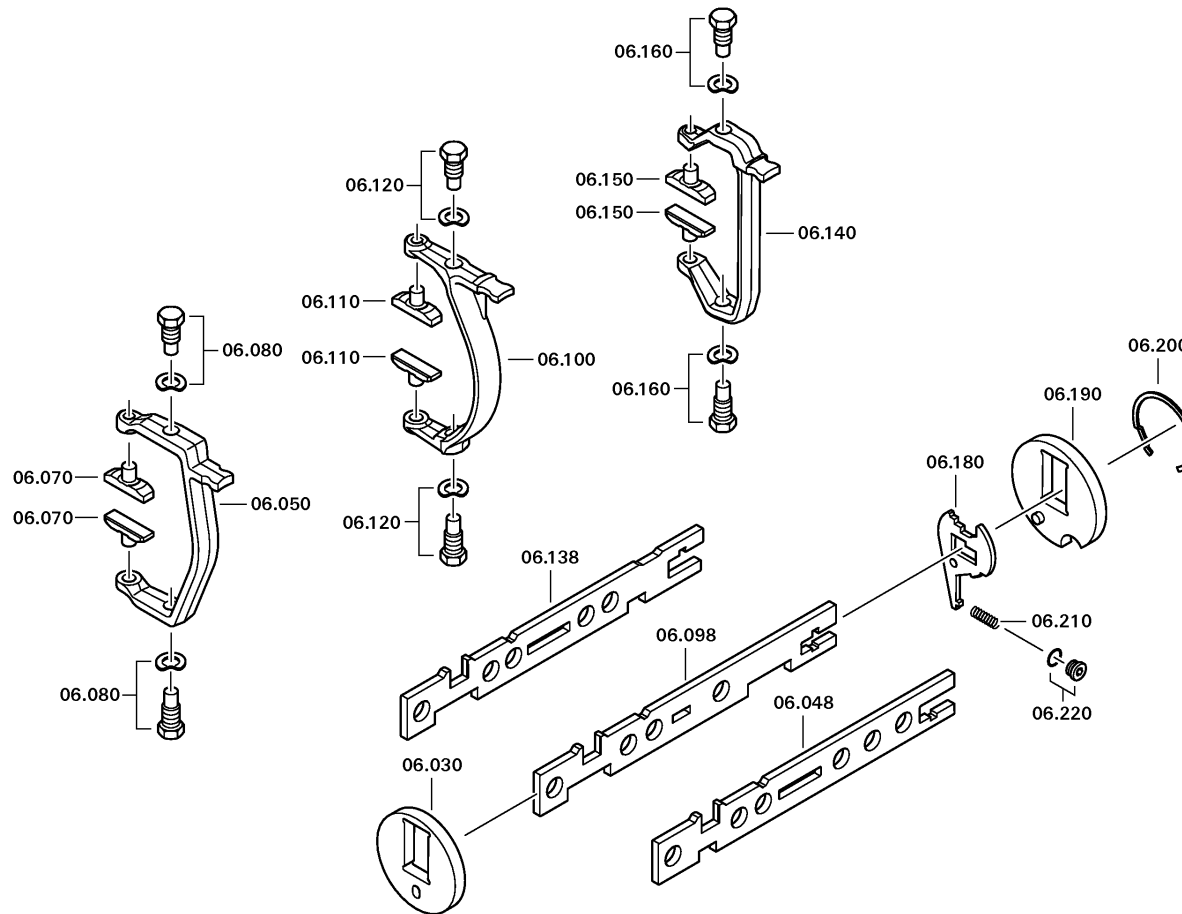
Material number: 1324.002.082

Picture: 062.006.028-1

Material-assembly-group-no: 1324.106.013



9 S 1110 TD / ()
SHIFT SYSTEM



Picture

Page 2 from 2

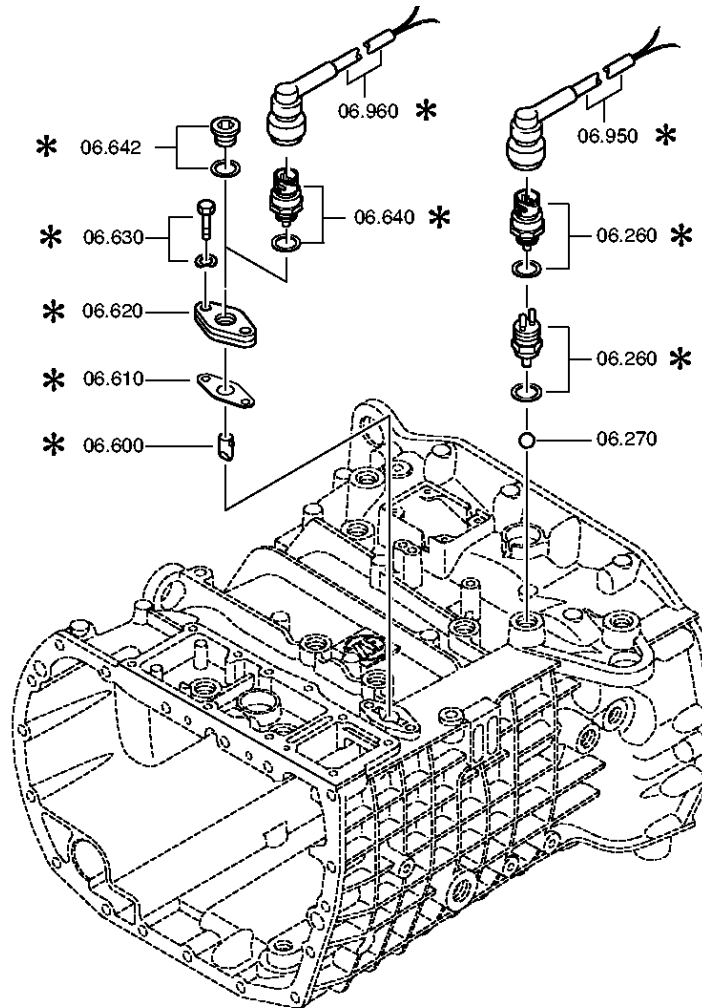
Material number: 1324.002.082

Picture: 062.06.50-1

Material-assembly-group-no: 1324.106.013



9 S 1110 TD / ()
SHIFT SYSTEM



Picture

Page 1 from 5

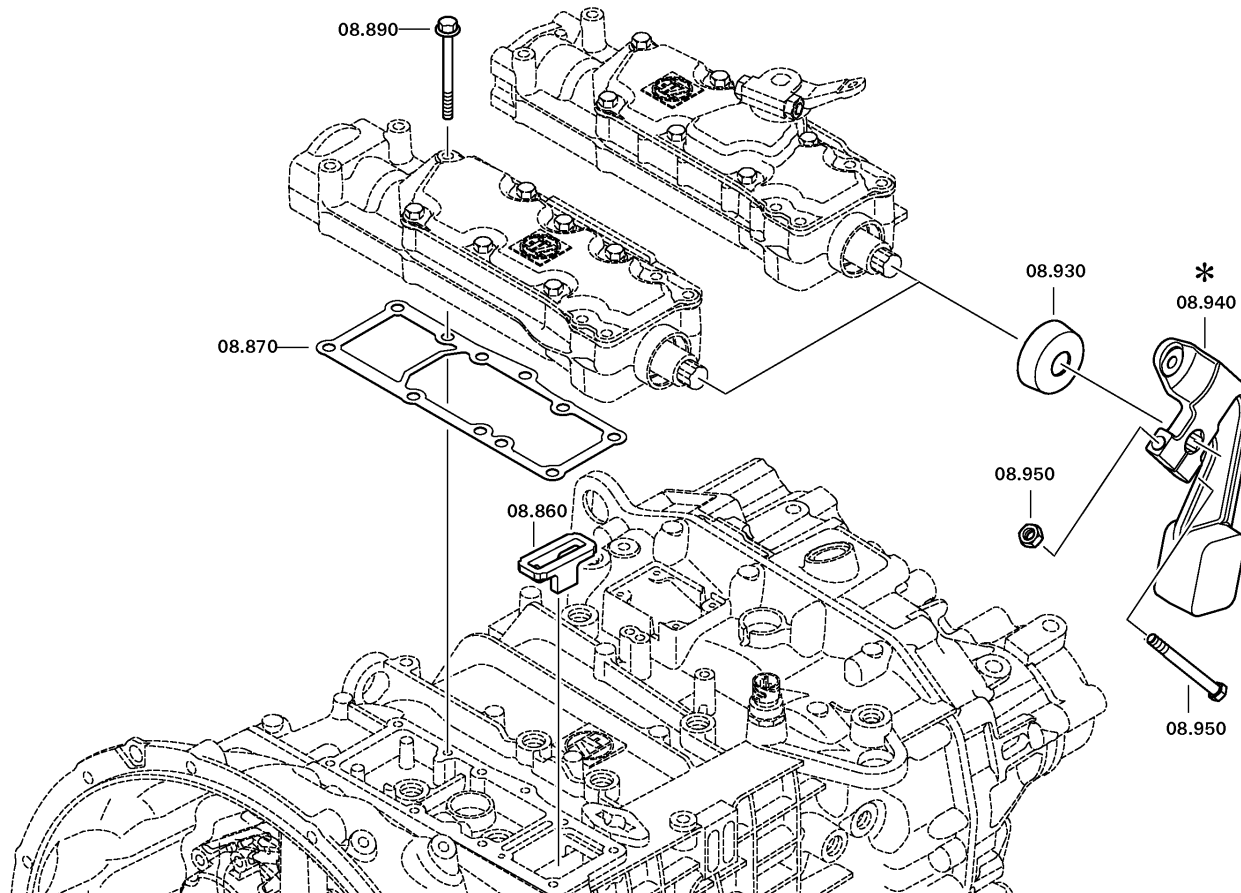
Material number: 1324.002.082

Picture: 062.007.091-1

Material-assembly-group-no: 1324.108.807



9 S 1110 TD / ()
GEAR SHIFT HOUSING



Picture

Page 2 from 5

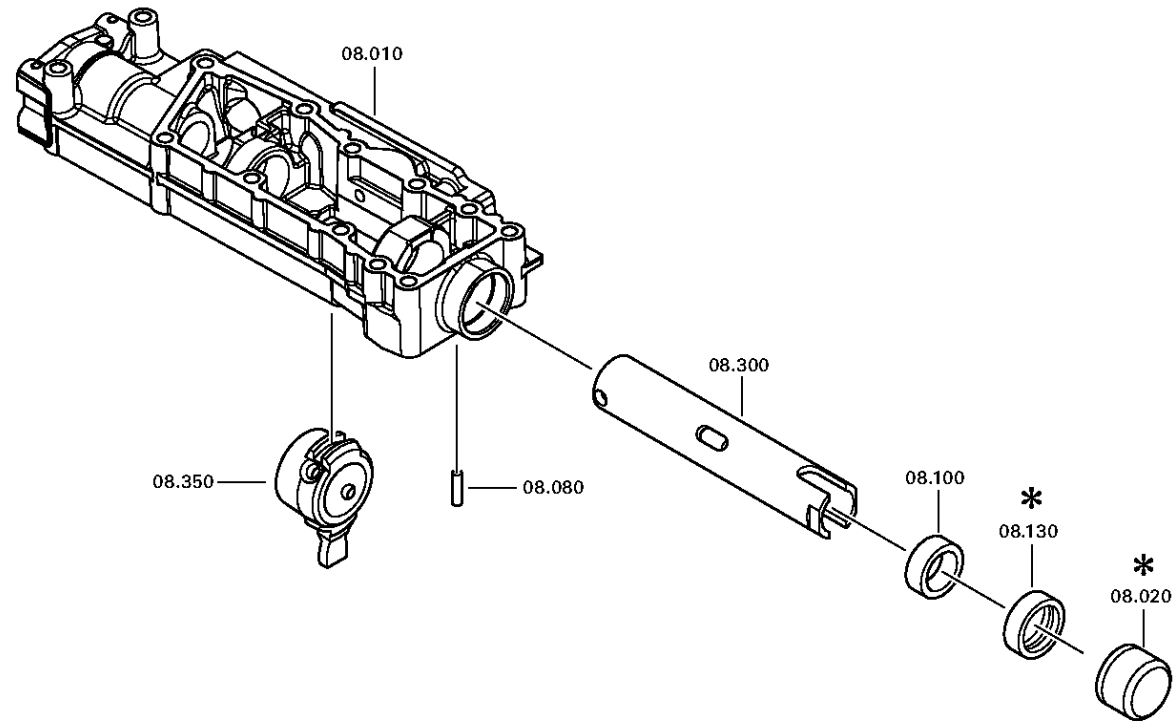
Material number: 1324.002.082

Picture: 062.07.12-1

Material-assembly-group-no: 1324.108.807



9 S 1110 TD / ()
GEAR SHIFT HOUSING



Picture

Page 3 from 5

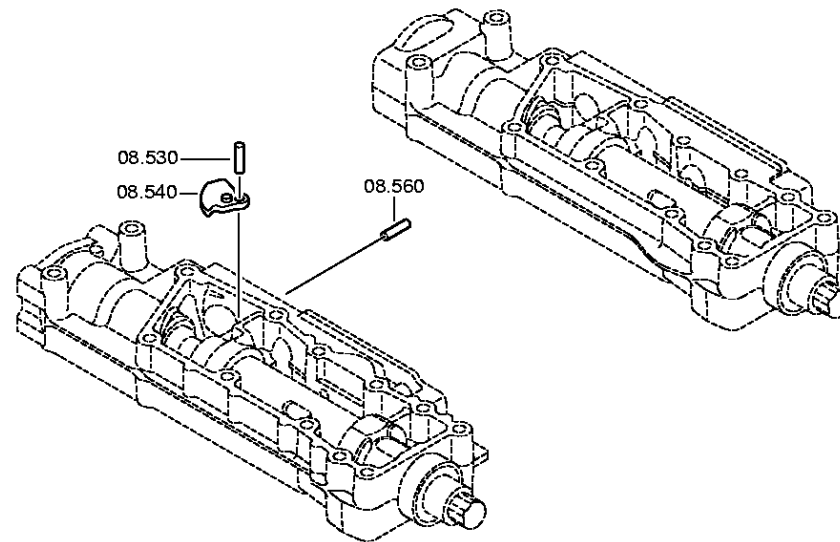
Material number: 1324.002.082

Picture: 062.07.14-1

Material-assembly-group-no: 1324.108.807



9 S 1110 TD / ()
GEAR SHIFT HOUSING



Picture

Page 4 from 5

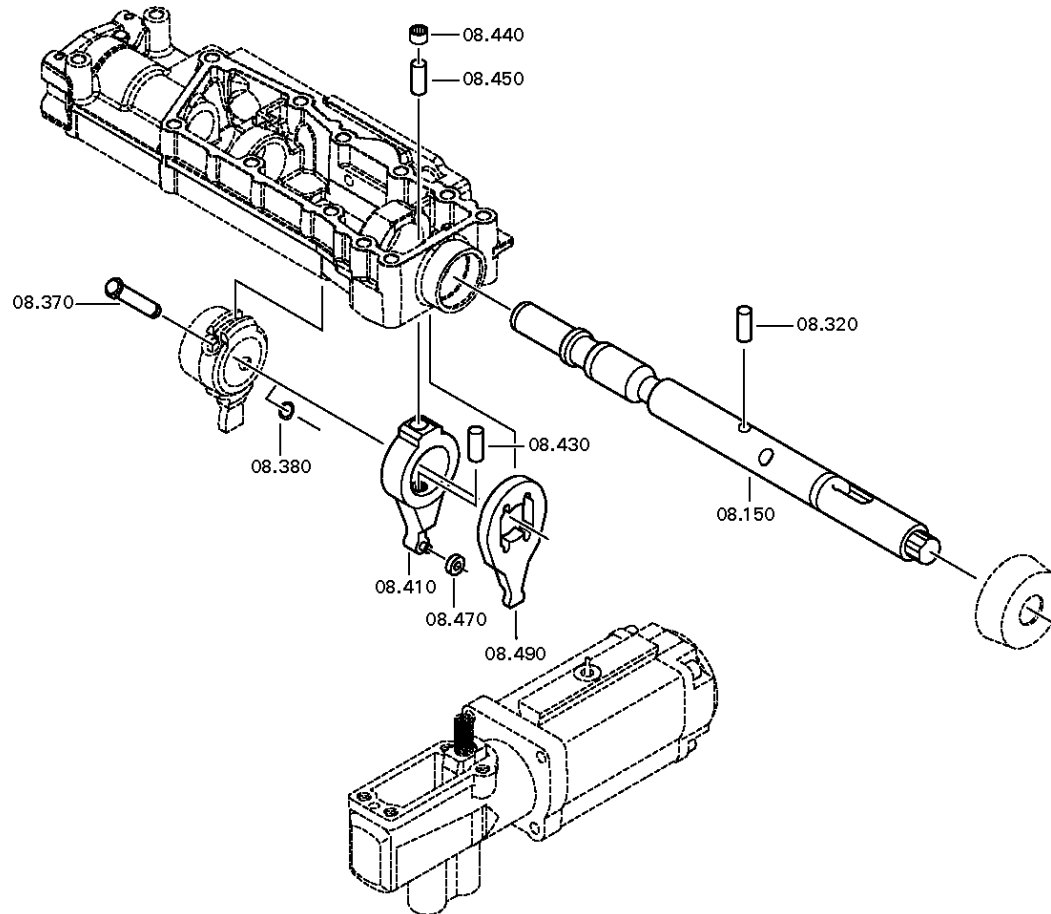
Material number: 1324.002.082

Picture: 062.07.70-1

Material-assembly-group-no: 1324.108.807



9 S 1110 TD / ()
GEAR SHIFT HOUSING



Picture

Page 5 from 5

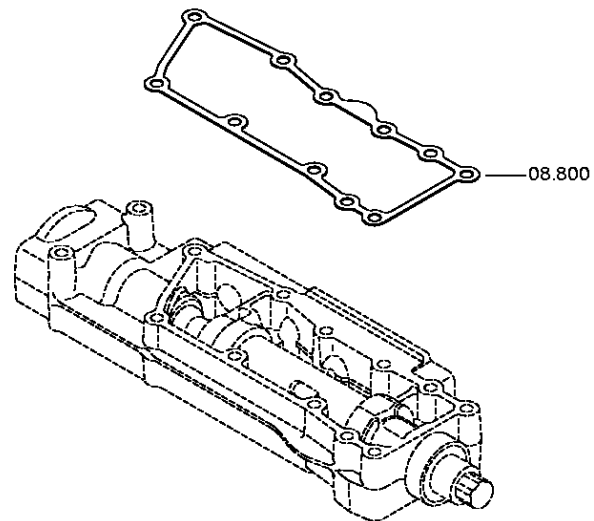
Material number: 1324.002.082

Picture: 062.07.84-1

Material-assembly-group-no: 1324.108.807



9 S 1110 TD / ()
GEAR SHIFT HOUSING



Picture

Page 1 from 2

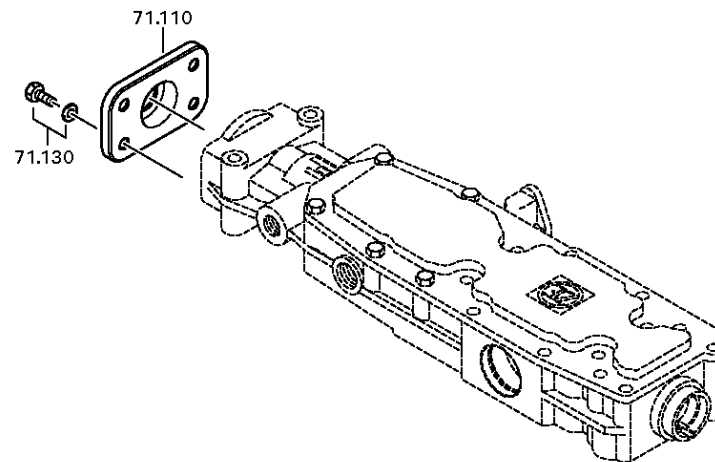
Material number: 1324.002.082

Picture: 062.08.30-1

Material-assembly-group-no: 1316.171.403



9 S 1110 TD / ()
END COVER



Picture

Page 2 from 2

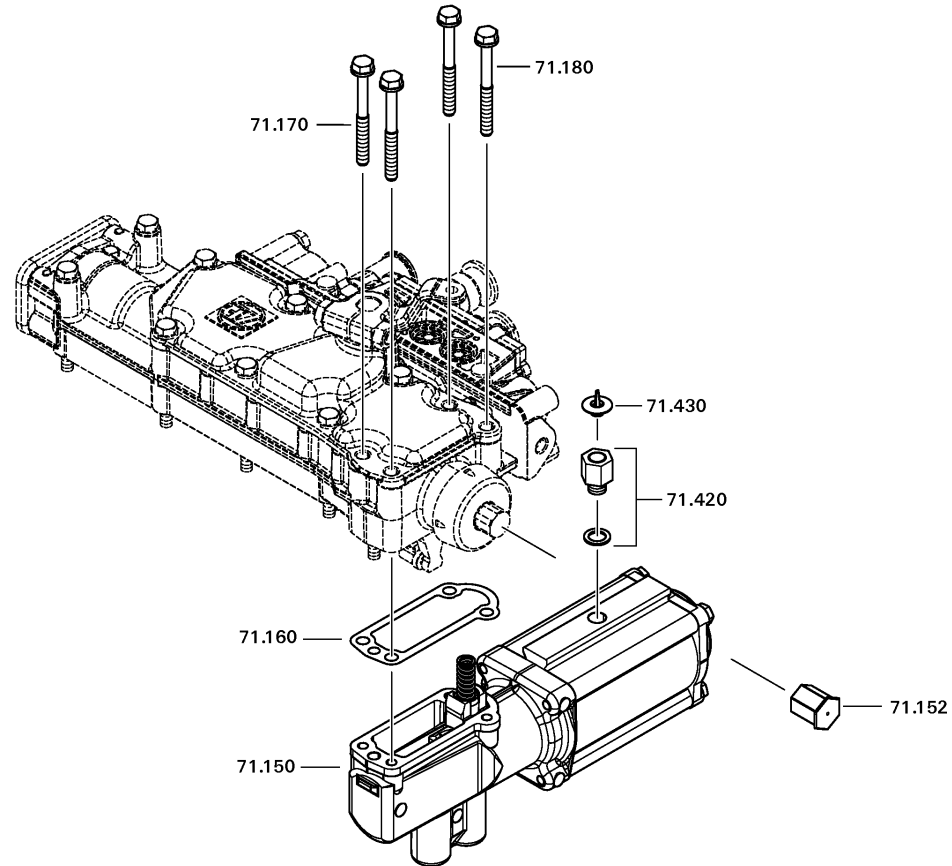
Material number: 1324.002.082

Picture: 062.008.015-1

Material-assembly-group-no: 1316.171.403



9 S 1110 TD / ()
END COVER



Picture

Page 1 from 2

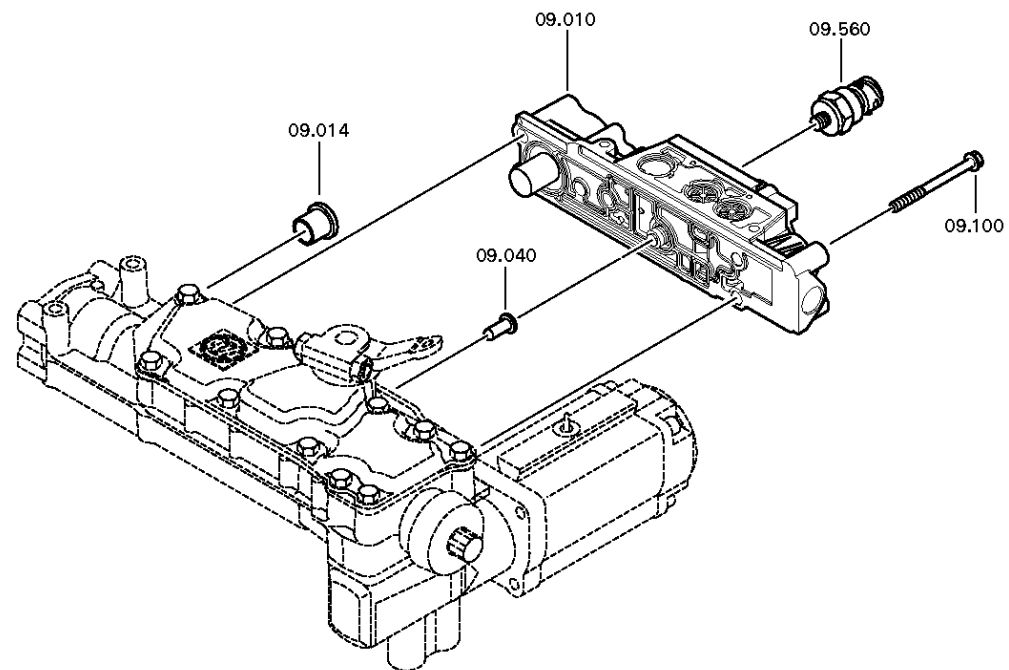
Material number: 1324.002.082

Picture: 062.09.02-1

Material-assembly-group-no: 1324.109.002



9 S 1110 TD / ()
CONNECTING PARTS



Picture

Page 2 from 2

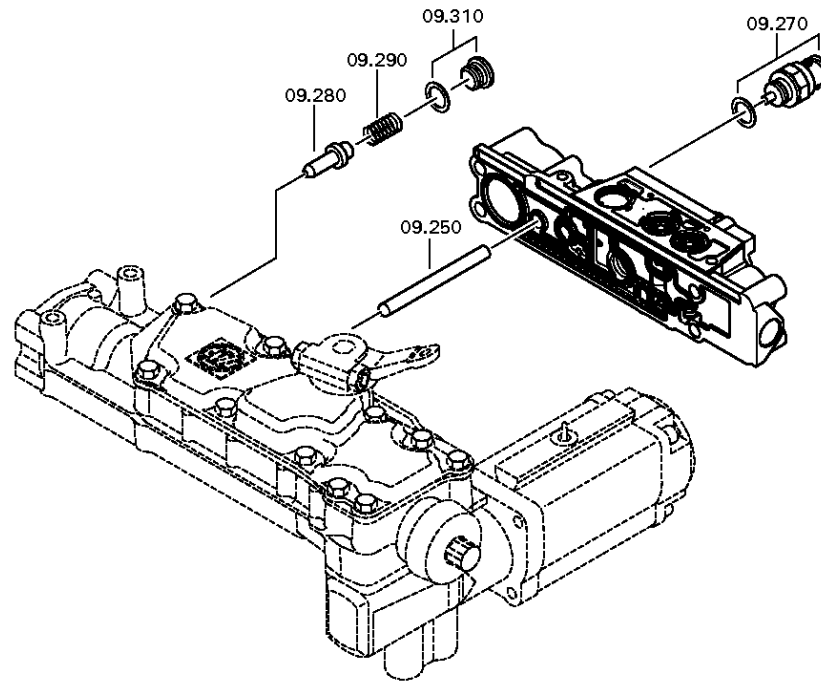
Material number: 1324.002.082

Picture: 062.09.40-1

Material-assembly-group-no: 1324.109.002



9 S 1110 TD / ()
CONNECTING PARTS



Picture

Page 1 from 2

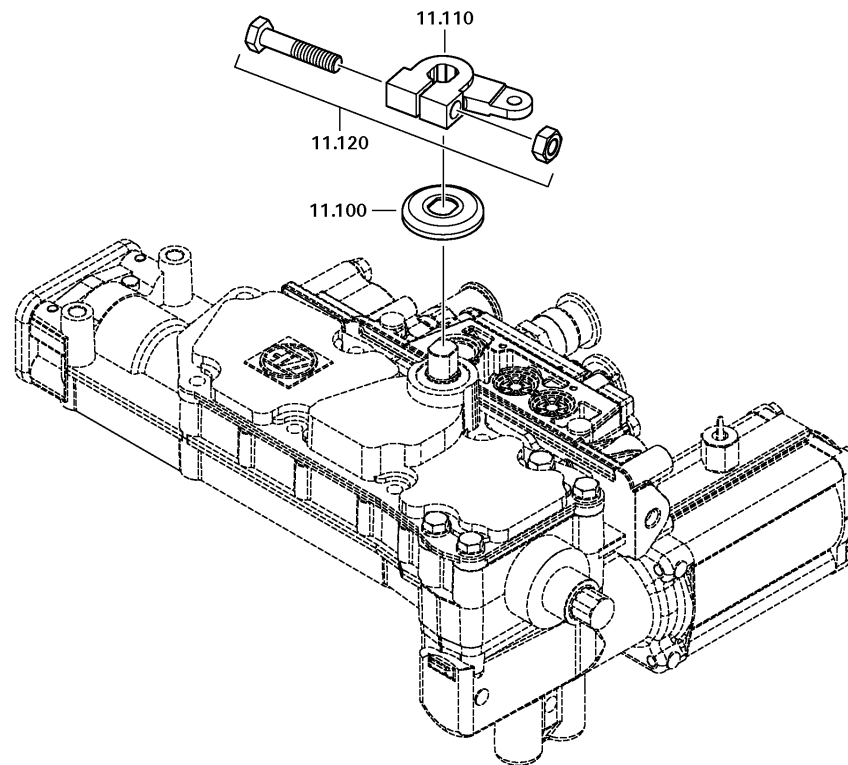
Material number: 1324.002.082

Picture: 062.10.80-1

Material-assembly-group-no: 1324.111.801



9 S 1110 TD / ()
SELECTOR LEVER



Picture

Page 2 from 2

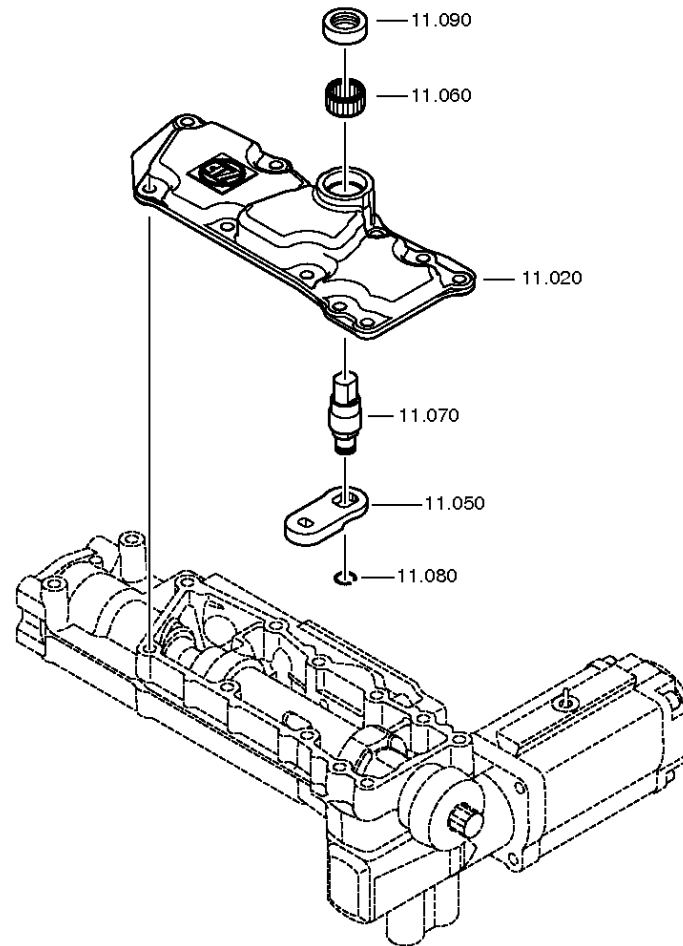
Material number: 1324.002.082

Picture: 062.10.11-1

Material-assembly-group-no: 1324.111.801



9 S 1110 TD / ()
SELECTOR LEVER



Picture

Page 1 from 1

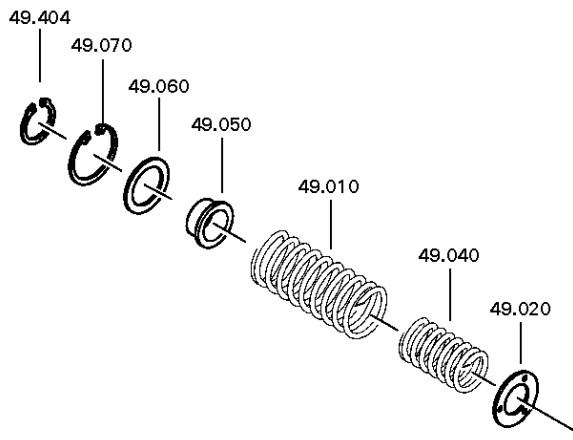
Material number: 1324.002.082

Picture: 062.12.37-1

Material-assembly-group-no: 1324.149.068



9 S 1110 TD / ()
SET OF SPRINGS



Picture

Page 1 from 3

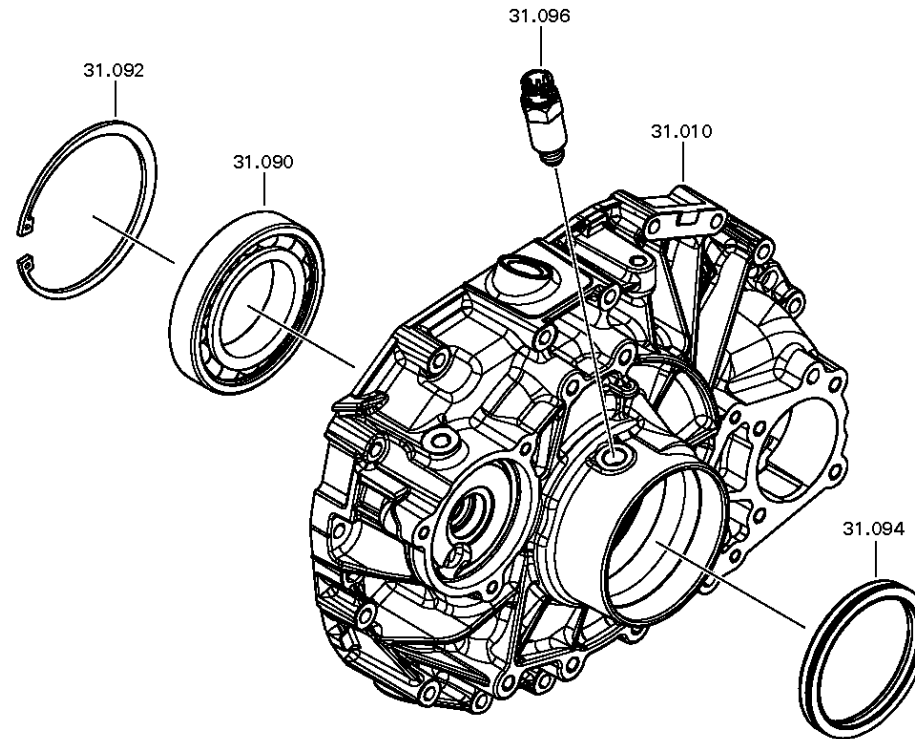
Material number: 1324.002.082

Picture: 062.43.12-1

Material-assembly-group-no: 1304.131.075



9 S 1110 TD / ()
RC-SPEEDOMETER HOUSING



Dargestellte Variante entspricht „GP-Gehäuse mit integriertem Tachogehäuse“,
für ältere Varianten „GP-Gehäuse mit separatem Tachogehäuse“ existiert der Rep.-Kit 1324 298 026

Shown variant corresponds to „GP-housing with integrated speedometer housing“,
for older versions "GP-housing with separate tachometer housing" exist repair kit 1324 298 026

Picture

Page 2 from 3

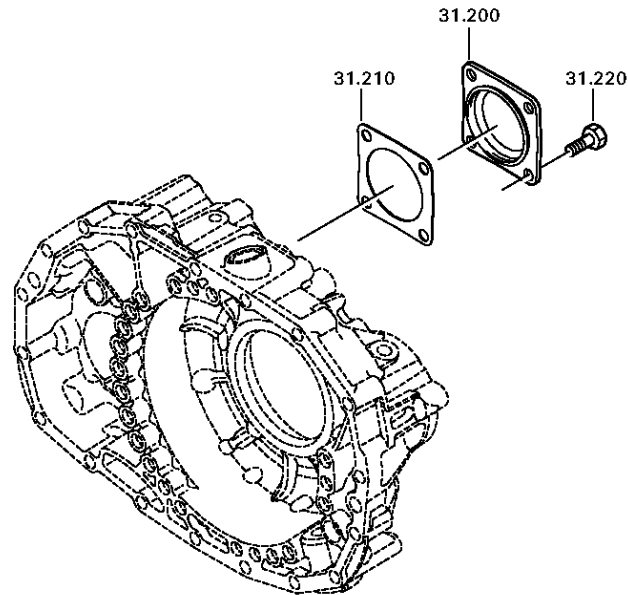
Material number: 1324.002.082

Picture: 062.43.40-1

Material-assembly-group-no: 1304.131.075



9 S 1110 TD / ()
RC-SPEEDOMETER HOUSING



Picture

Page 3 from 3

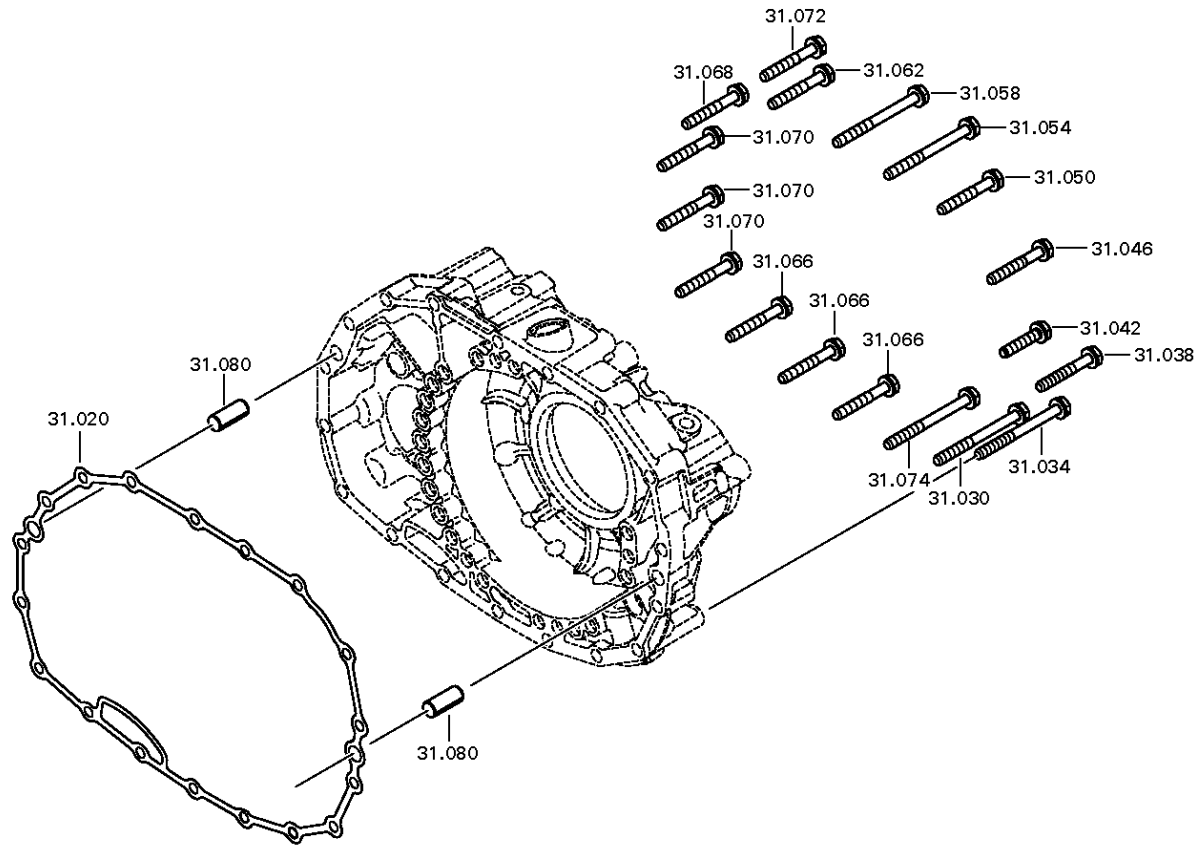
Material number: 1324.002.082

Picture: 062.43.80-1

Material-assembly-group-no: 1304.131.075



9 S 1110 TD / ()
RC-SPEEDOMETER HOUSING



Picture

Page 1 from 3

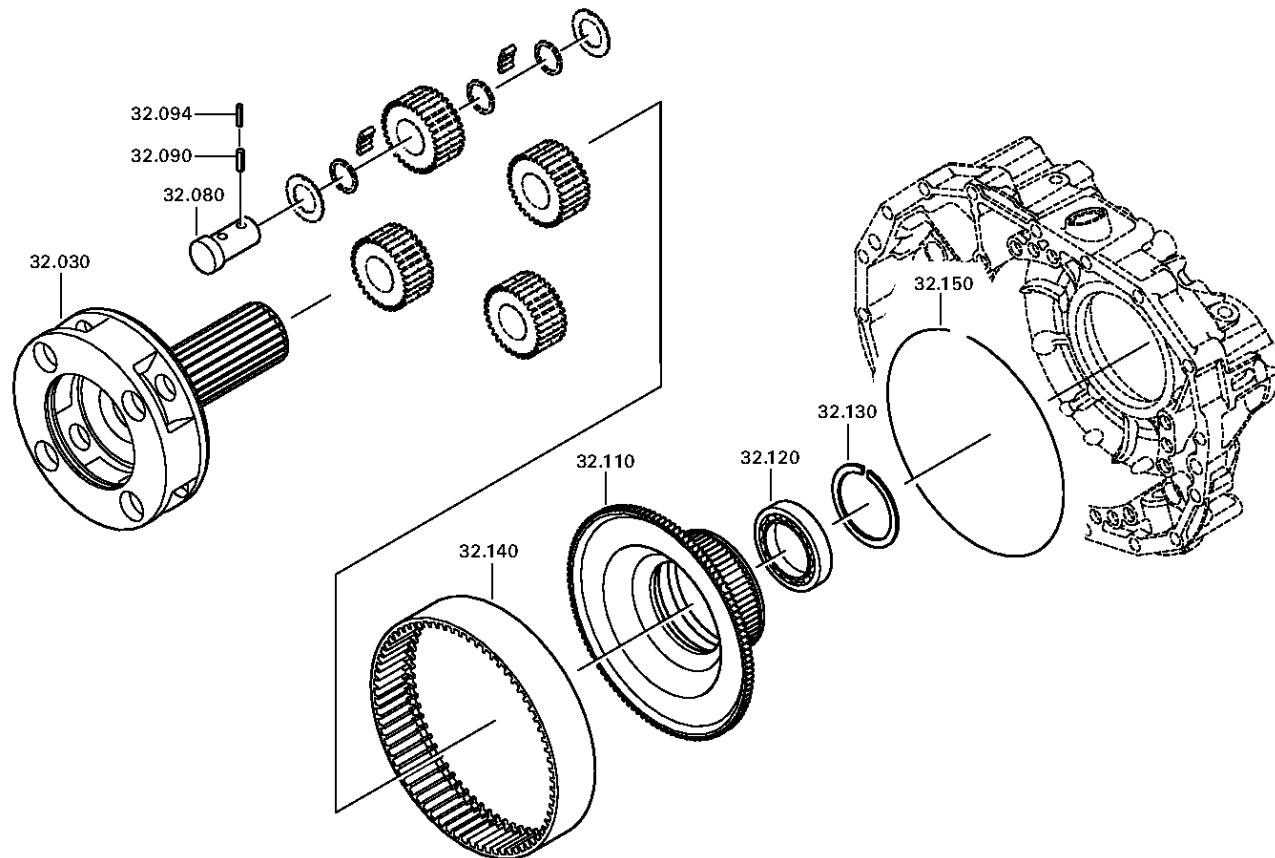
Material number: 1324.002.082

Picture: 062.44.14-1

Material-assembly-group-no: 1324.132.003



9 S 1110 TD / ()
PLANETARY DRIVE



Picture

Page 2 from 3

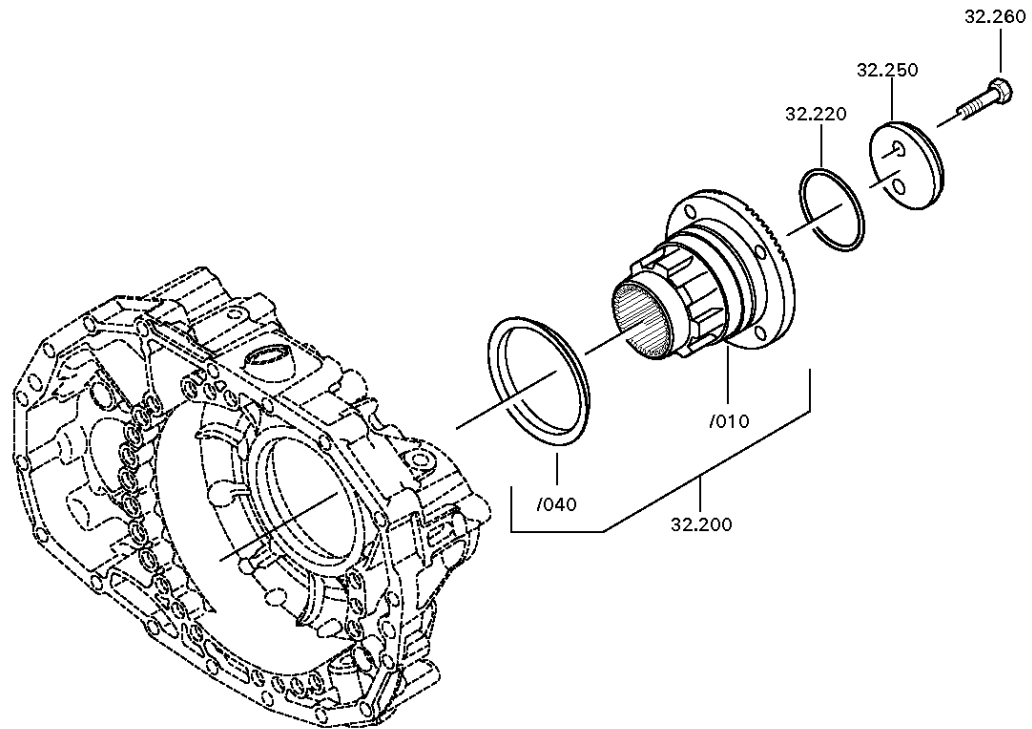
Material number: 1324.002.082

Picture: 062.44.58-1

Material-assembly-group-no: 1324.132.003



9 S 1110 TD / ()
PLANETARY DRIVE



Picture

Page 3 from 3

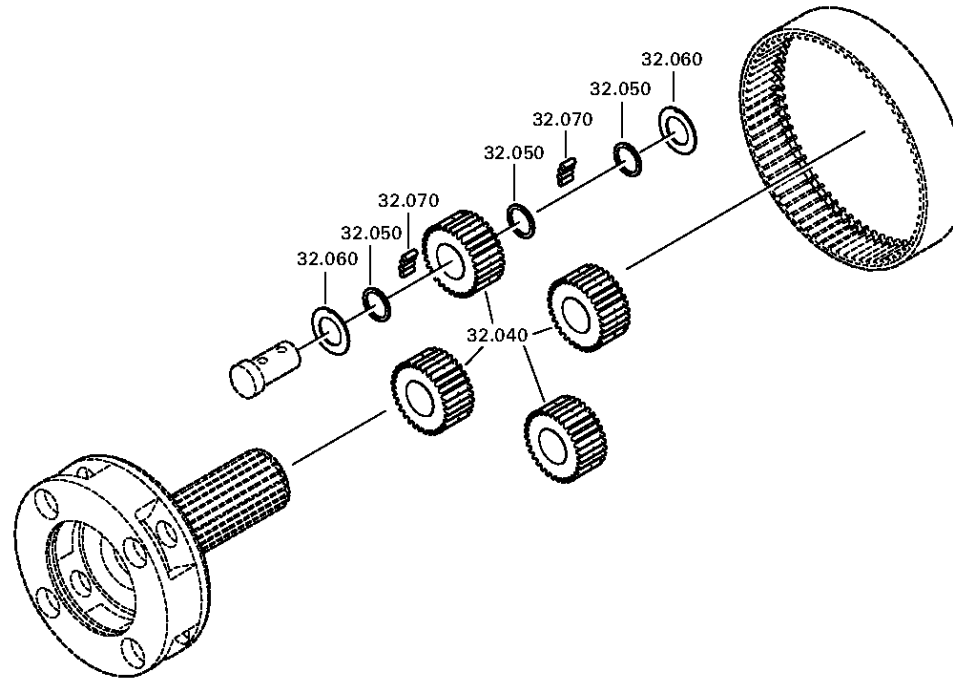
Material number: 1324.002.082

Picture: 062.44.83-1

Material-assembly-group-no: 1324.132.003



9 S 1110 TD / ()
PLANETARY DRIVE



Picture

Page 1 from 2

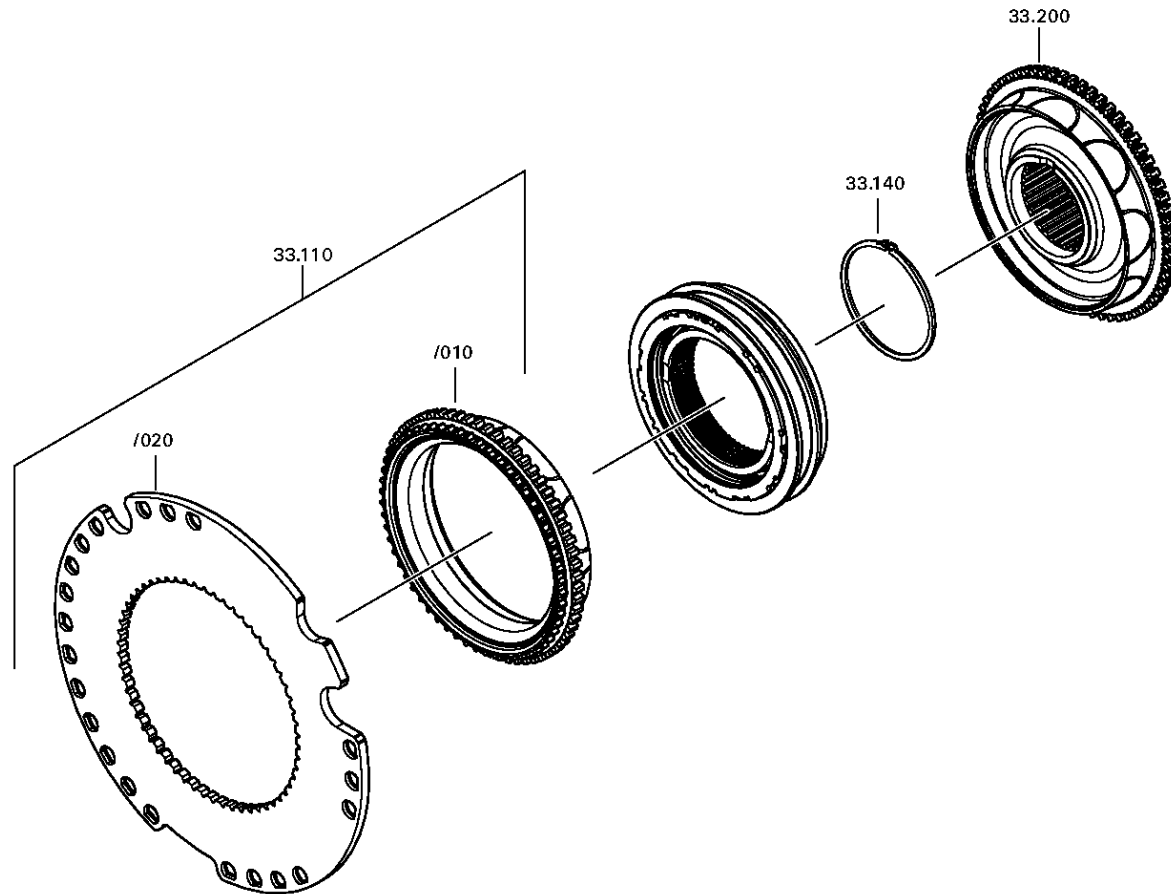
Material number: 1324.002.082

Picture: 062.45.08-1

Material-assembly-group-no: 1324.133.003



9 S 1110 TD / ()
SYNCHRONIZER



Picture

Page 2 from 2

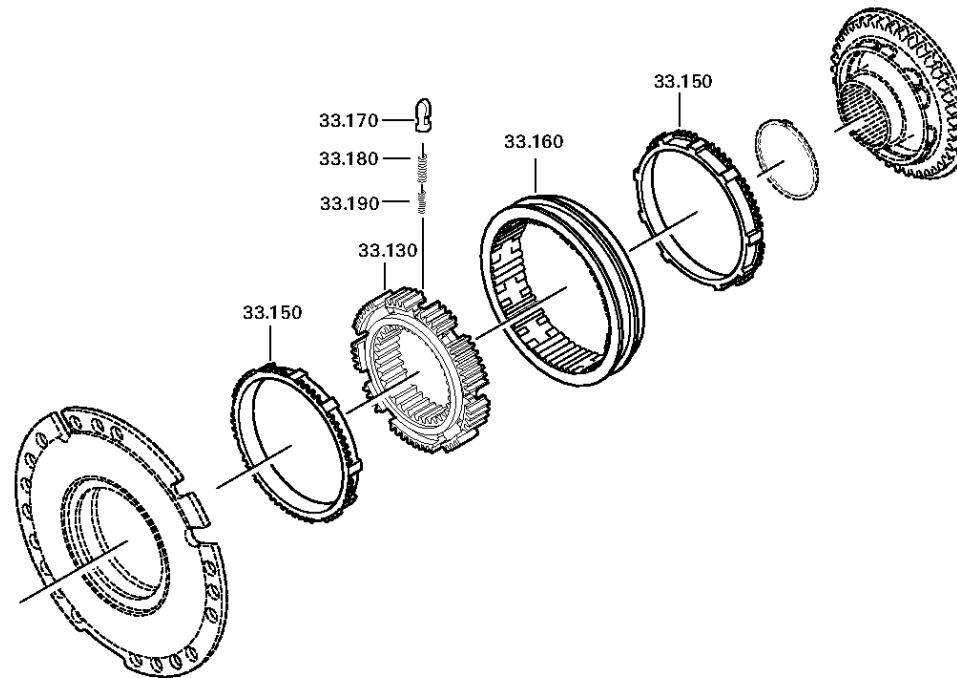
Material number: 1324.002.082

Picture: 062.45.40-1

Material-assembly-group-no: 1324.133.003



9 S 1110 TD / ()
SYNCHRONIZER



Picture

Page 1 from 2

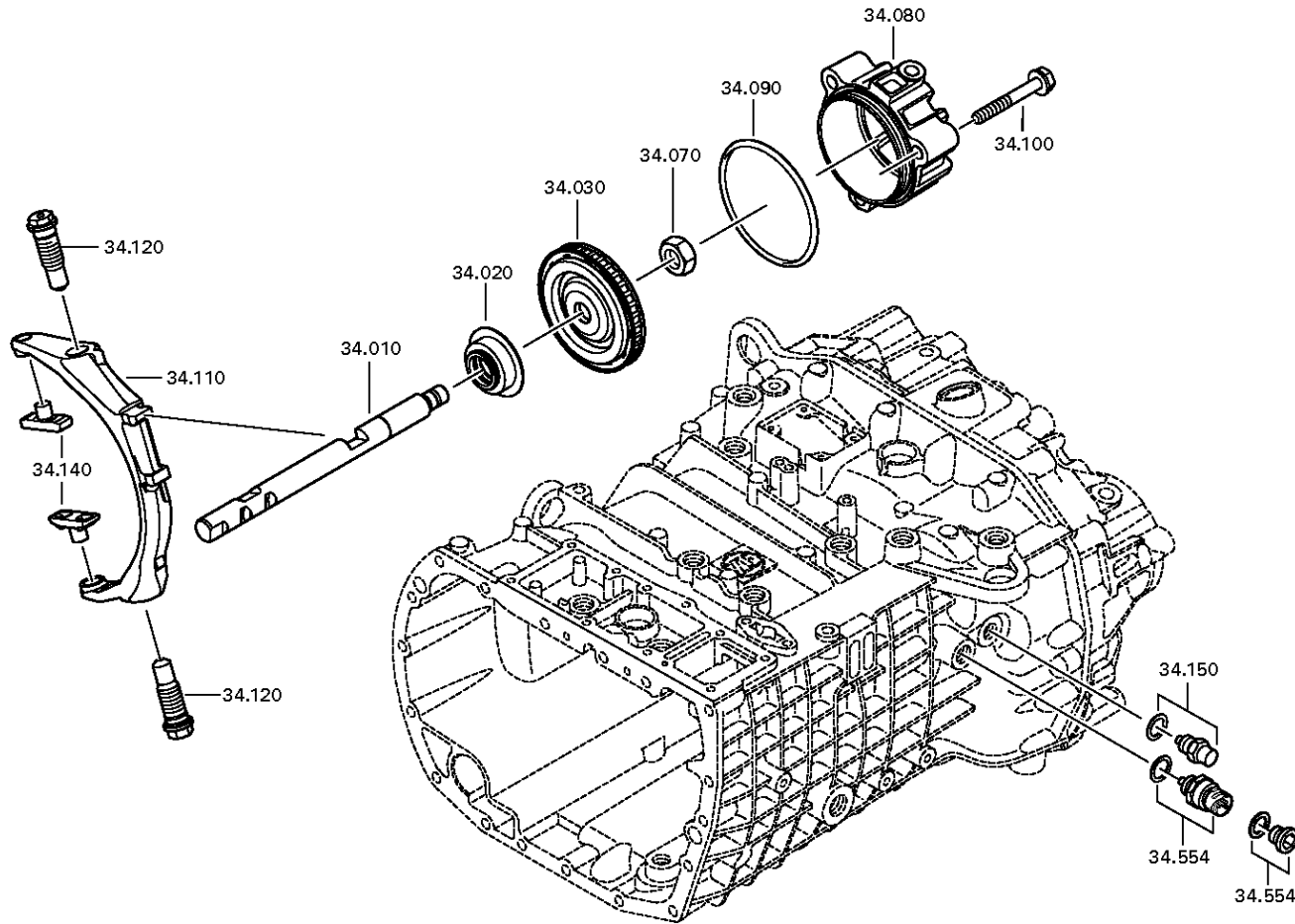
Material number: 1324.002.082

Picture: 062.46.12-1

Material-assembly-group-no: 1324.134.009



9 S 1110 TD / ()
GP SHIFT SYSTEM



Picture

Page 2 from 2

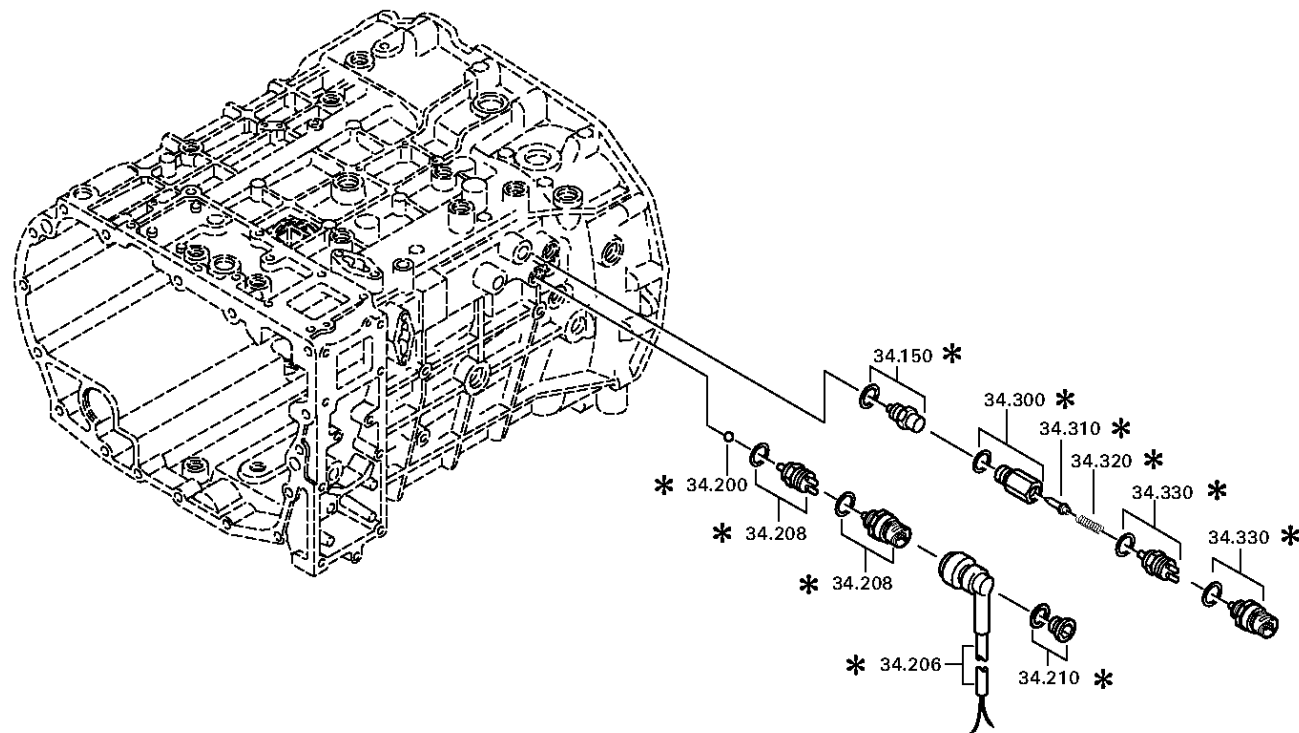
Material number: 1324.002.082

Picture: 062.46.40-1

Material-assembly-group-no: 1324.134.009



9 S 1110 TD / ()
GP SHIFT SYSTEM



Picture

Page 1 from 1

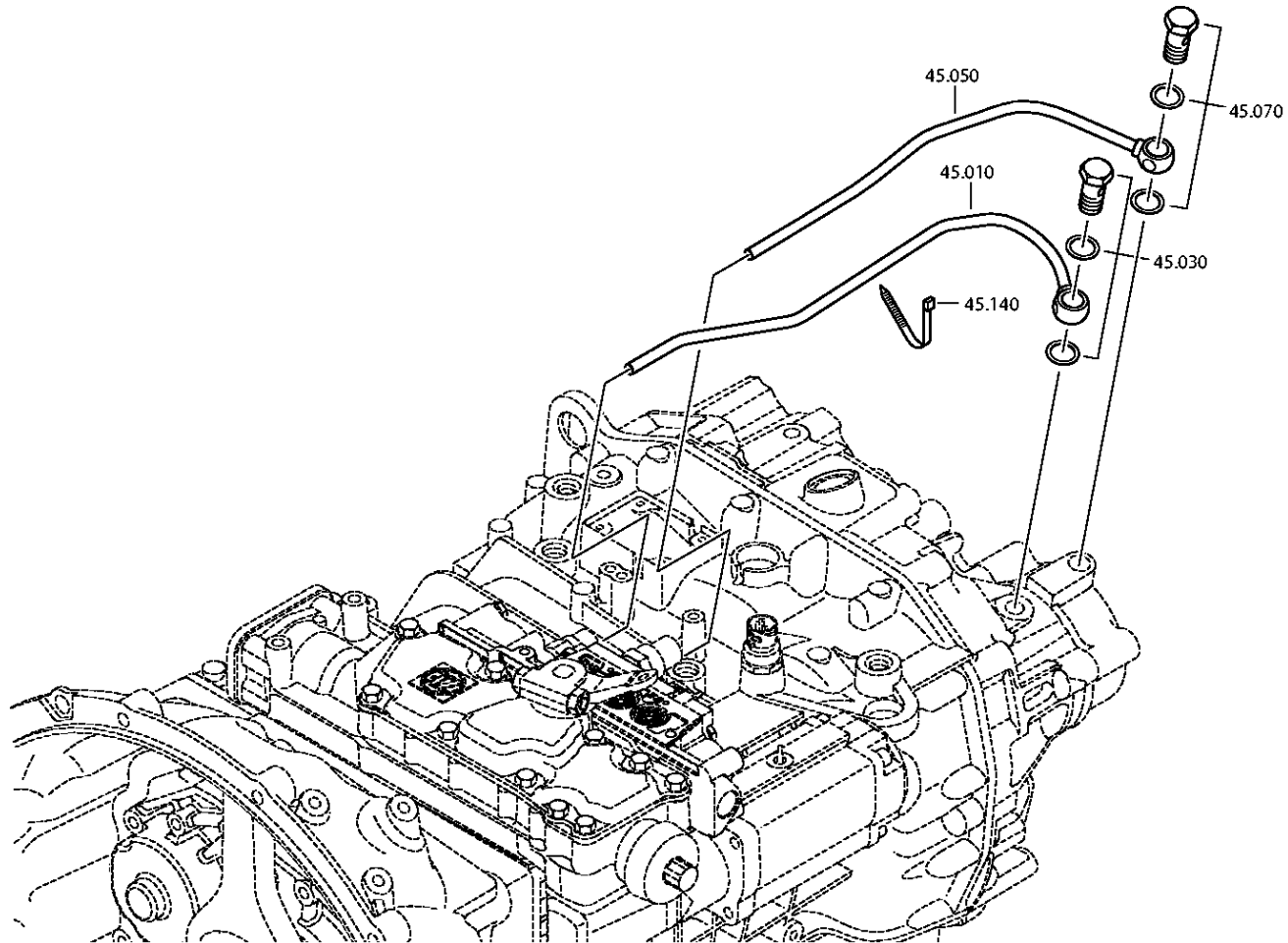
Material number: 1324.002.082

Picture: 062.57.15-1

Material-assembly-group-no: 1324.145.010



9 S 1110 TD / ()
RANGE SELECTION



Picture

Page 1 from 1

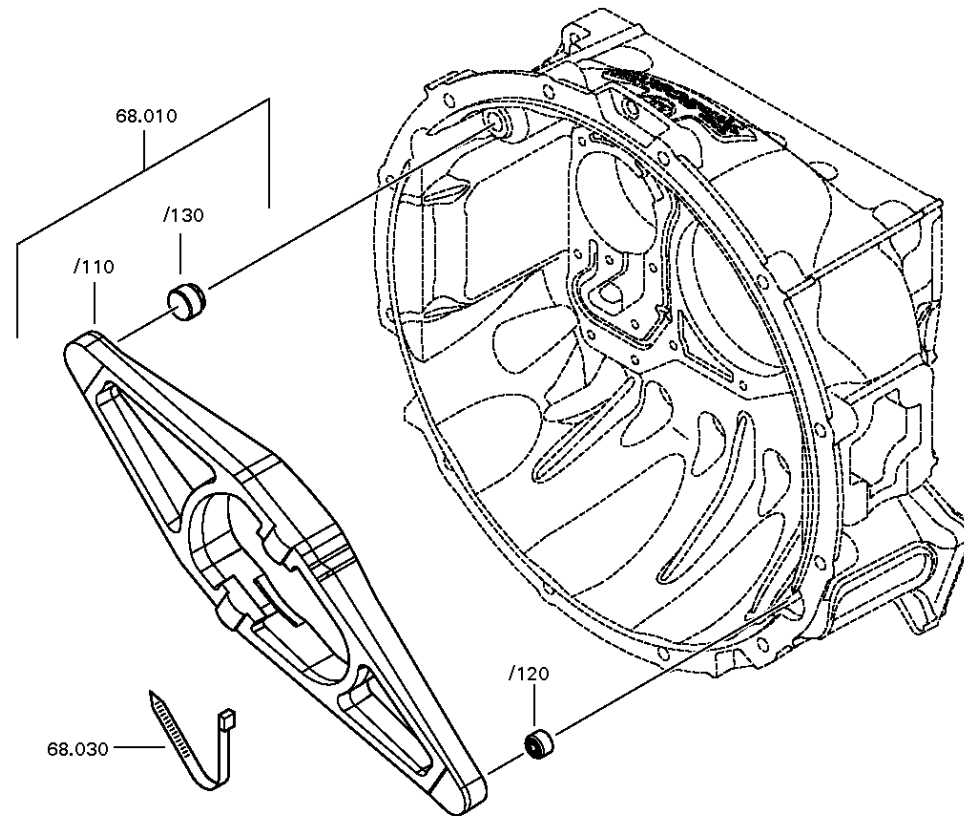
Material number: 1324.002.082

Picture: 062.93.42-1

Material-assembly-group-no: 1324.168.002



9 S 1110 TD / ()
CLUTCH RELEASE DEVICE



Picture

Page 1 from 1

Material number: 1324.002.082

Picture: 062.R0.01-1

Material-assembly-group-no: 1324.298.026



9 S 1110 TD / ()
RC-SPEEDOMETER HOUSING

