



Spare Parts Catalog

6 S 2111 BO

()

Material number: 1360.048.007

Current date: 24.03.2026

ZF Friedrichshafen AG
Hauptverwaltung
80038 Friedrichshafen
Deutschland

Telefon: +49 7541 77-0

Telefax: +49 7541 77-908000

www.zf.com

zuständiges Werk:
Friedrichshafen

Picture

Page 1 from 1

Material number: 1360.048.007

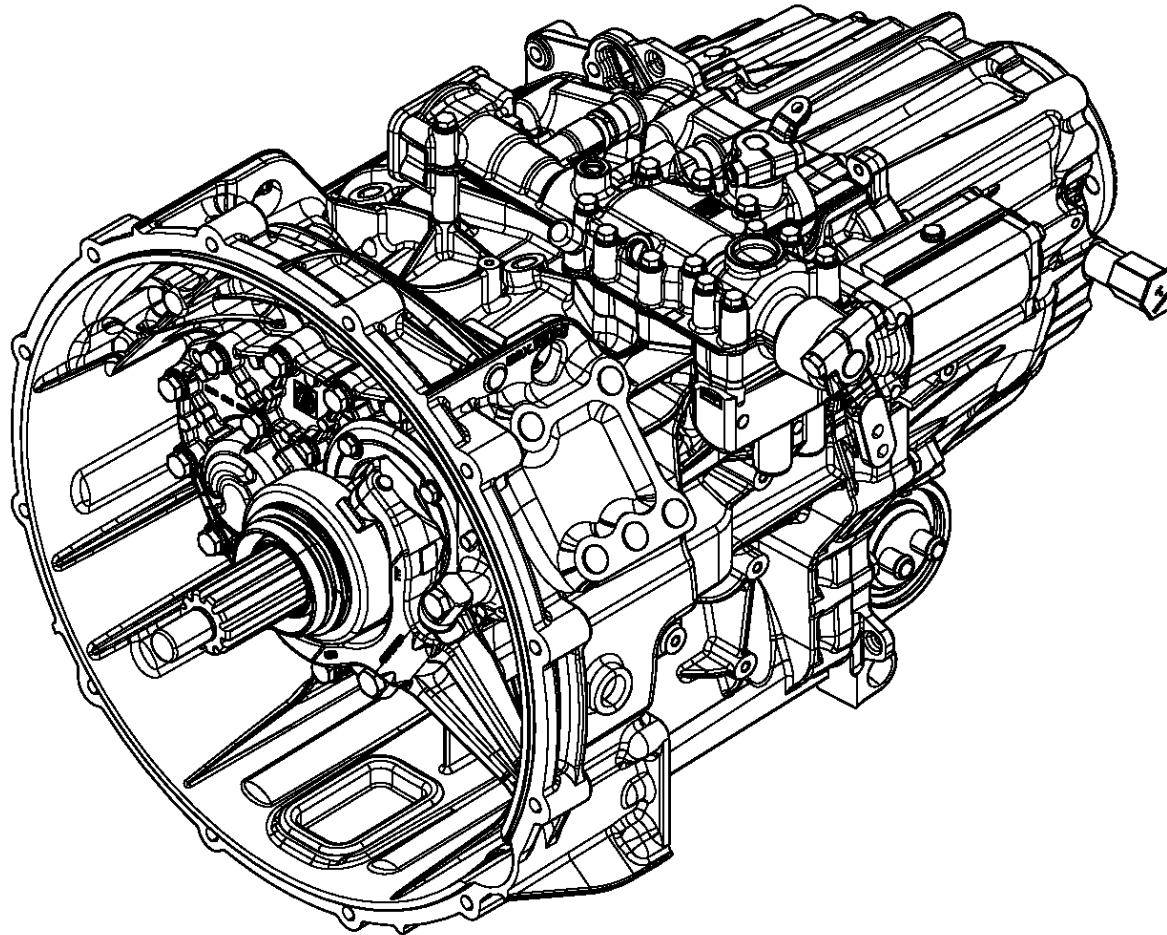
Picture: 218.A1.04-1

Material-assembly-group-no: 1360.008.040



6 S 2111 BO / ()

6 S 2110 BO



Picture

Page 1 from 1

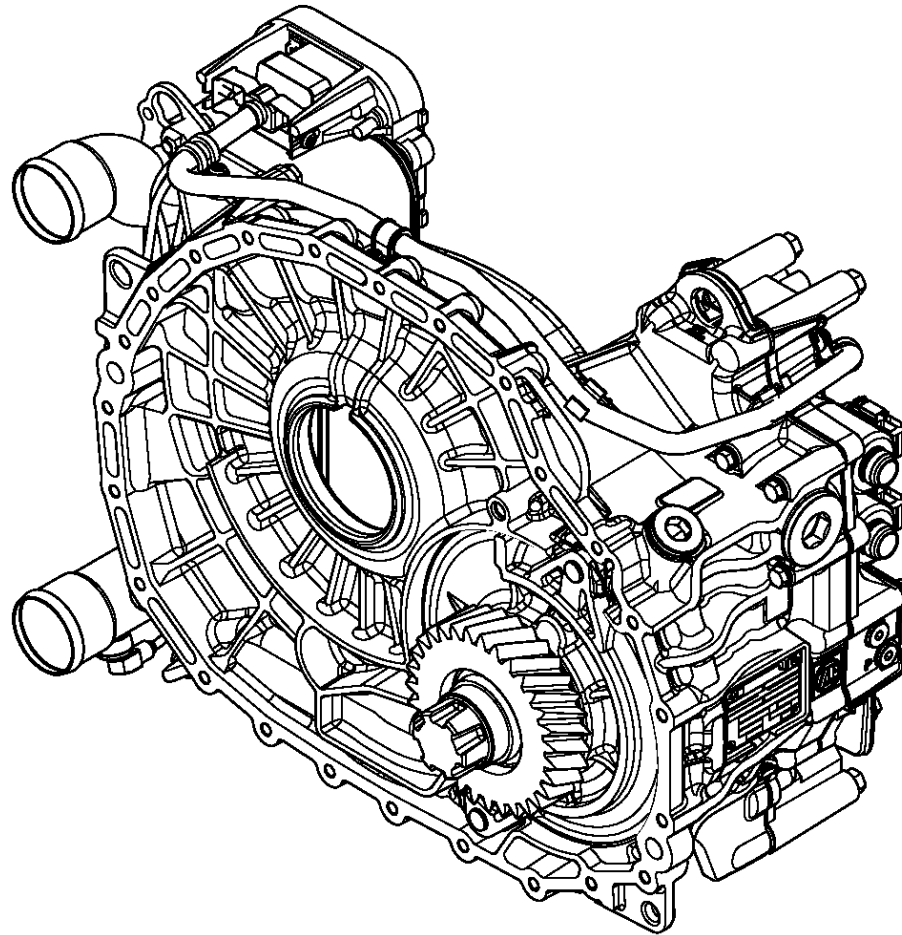
Material number: 1360.048.007

Picture: 155.A1.04-1

Material-assembly-group-no: 6093.080.036



6 S 2111 BO / ()
IT 3 ECOSHIFT B



Picture

Page 1 from 1

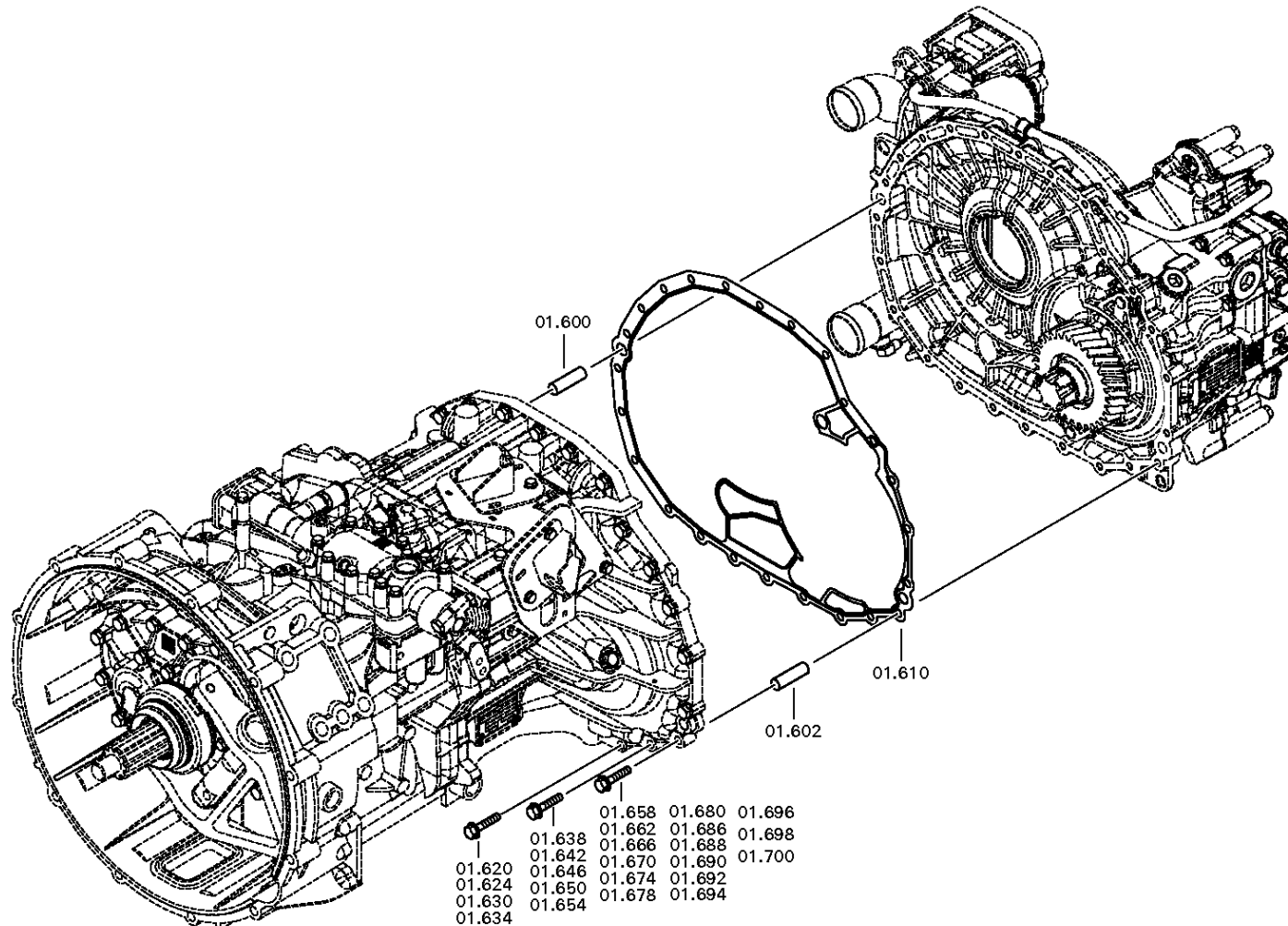
Material number: 1360.048.007

Picture: 155.E1.06-1

Material-assembly-group-no: 6093.101.813



6 S 2111 BO / ()
ANCHORAGE



Picture

Page 1 from 3

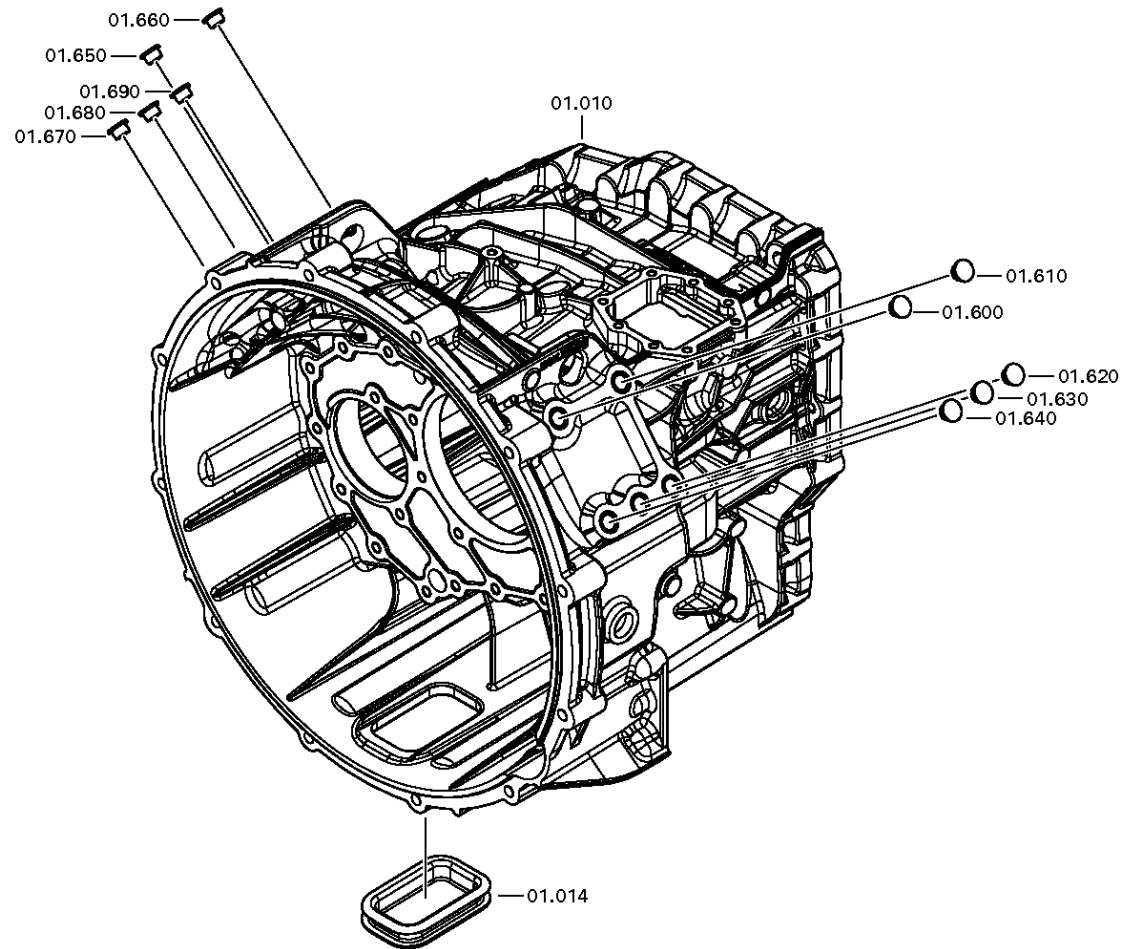
Material number: 1360.008.040

Picture: 218.01.07-1

Material-assembly-group-no: 1360.101.019



6 S 2111 BO / ()
CLUTCH HOUSING



Picture

Page 2 from 3

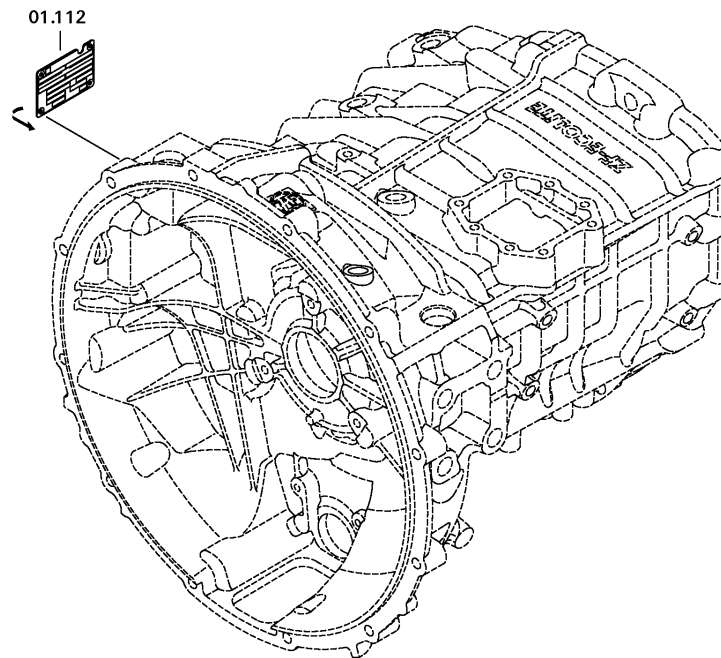
Material number: 1360.008.040

Picture: 150.001.051

Material-assembly-group-no: 1360.101.019



6 S 2111 BO / ()
CLUTCH HOUSING



Picture

Page 3 from 3

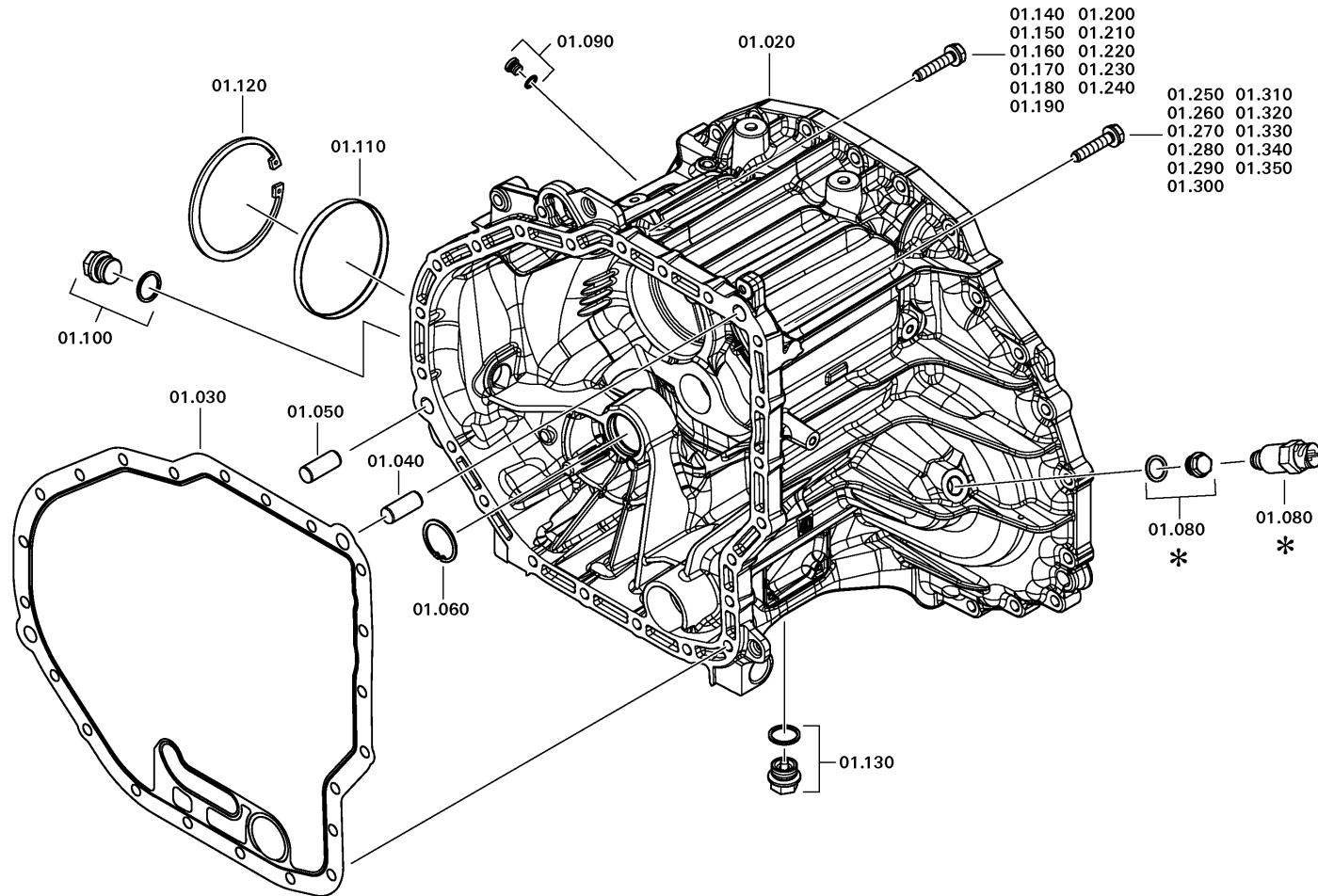
Material number: 1360.008.040

Picture: 218.001.082

Material-assembly-group-no: 1360.101.019



6 S 2111 BO / ()
CLUTCH HOUSING



Picture

Page 1 from 5

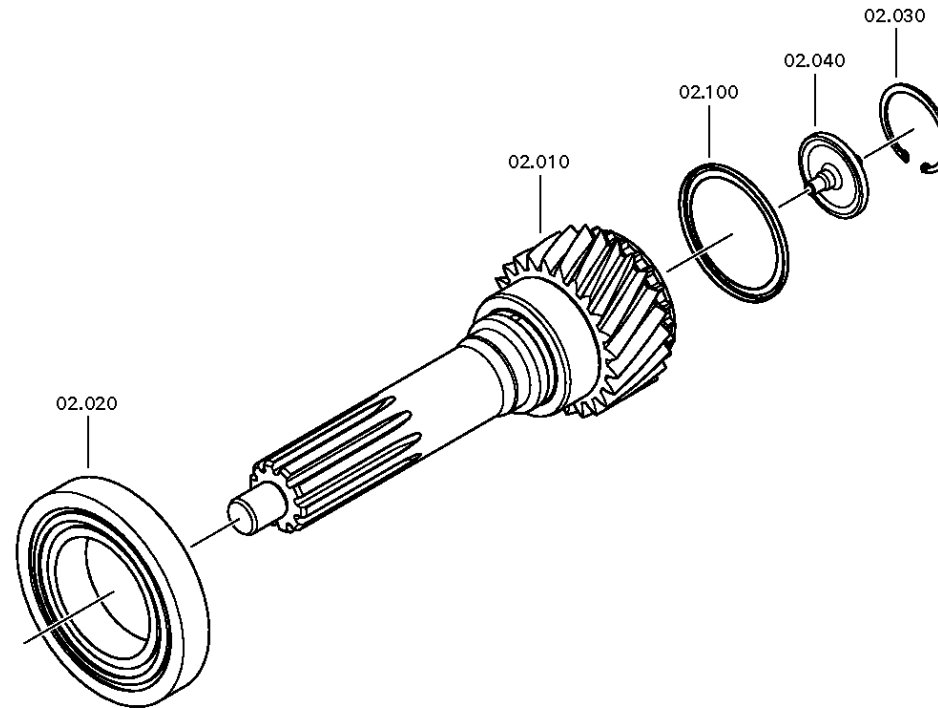
Material number: 1360.008.040

Picture: 218.02.01-1

Material-assembly-group-no: 1360.102.007



6 S 2111 BO / ()
INPUT SHAFT



Picture

Page 2 from 5

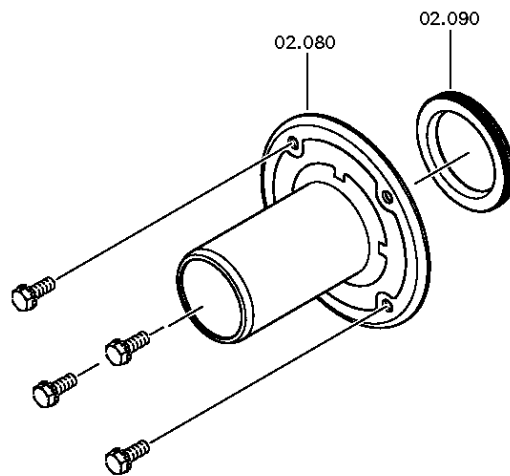
Material number: 1360.008.040

Picture: 218.02.10-1

Material-assembly-group-no: 1360.102.007



6 S 2111 BO / ()
INPUT SHAFT



Picture

Page 3 from 5

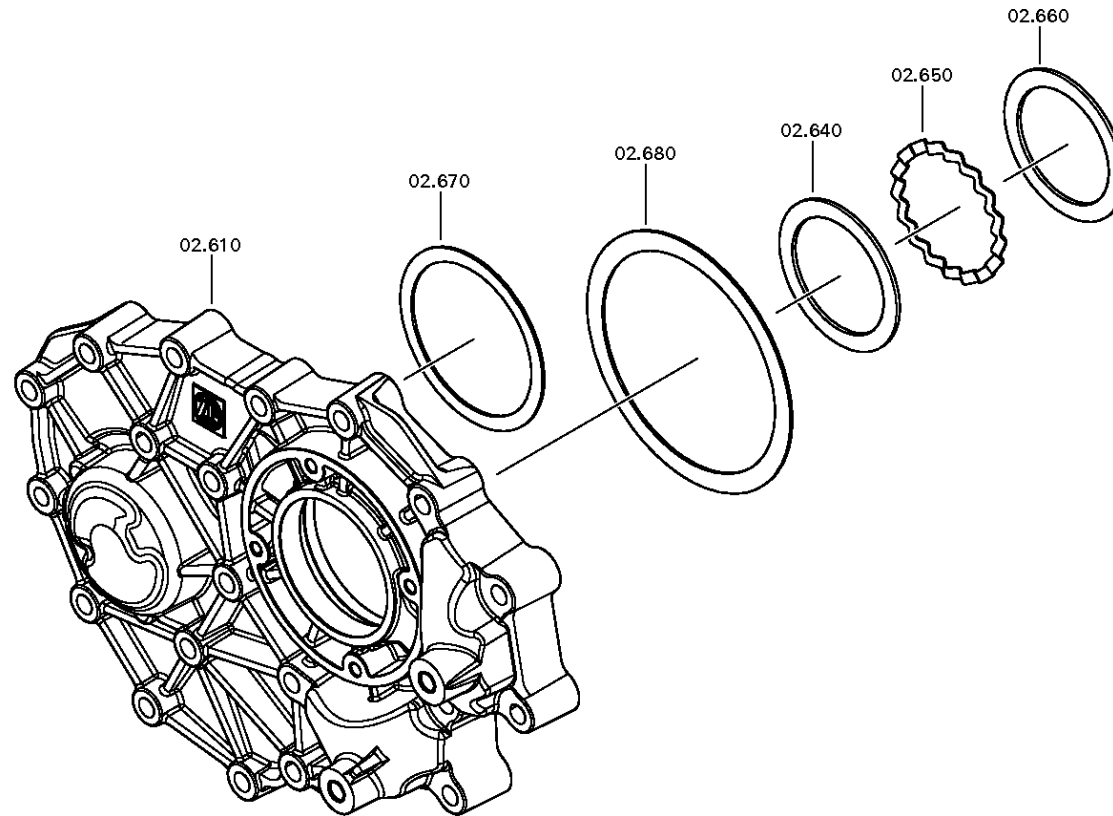
Material number: 1360.008.040

Picture: 218.02.40-1

Material-assembly-group-no: 1360.102.007



6 S 2111 BO / ()
INPUT SHAFT



Picture

Page 4 from 5

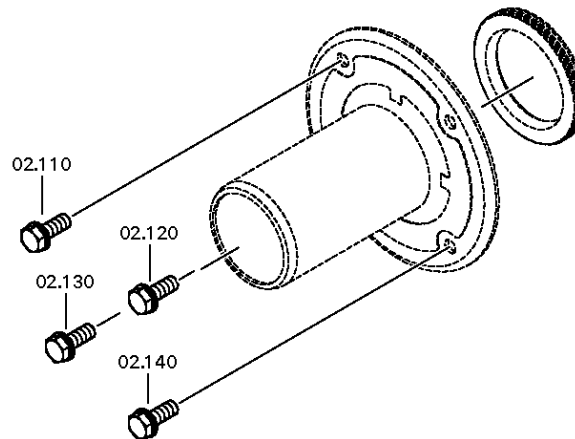
Material number: 1360.008.040

Picture: 218.02.80-1

Material-assembly-group-no: 1360.102.007



6 S 2111 BO / ()
INPUT SHAFT



Picture

Page 5 from 5

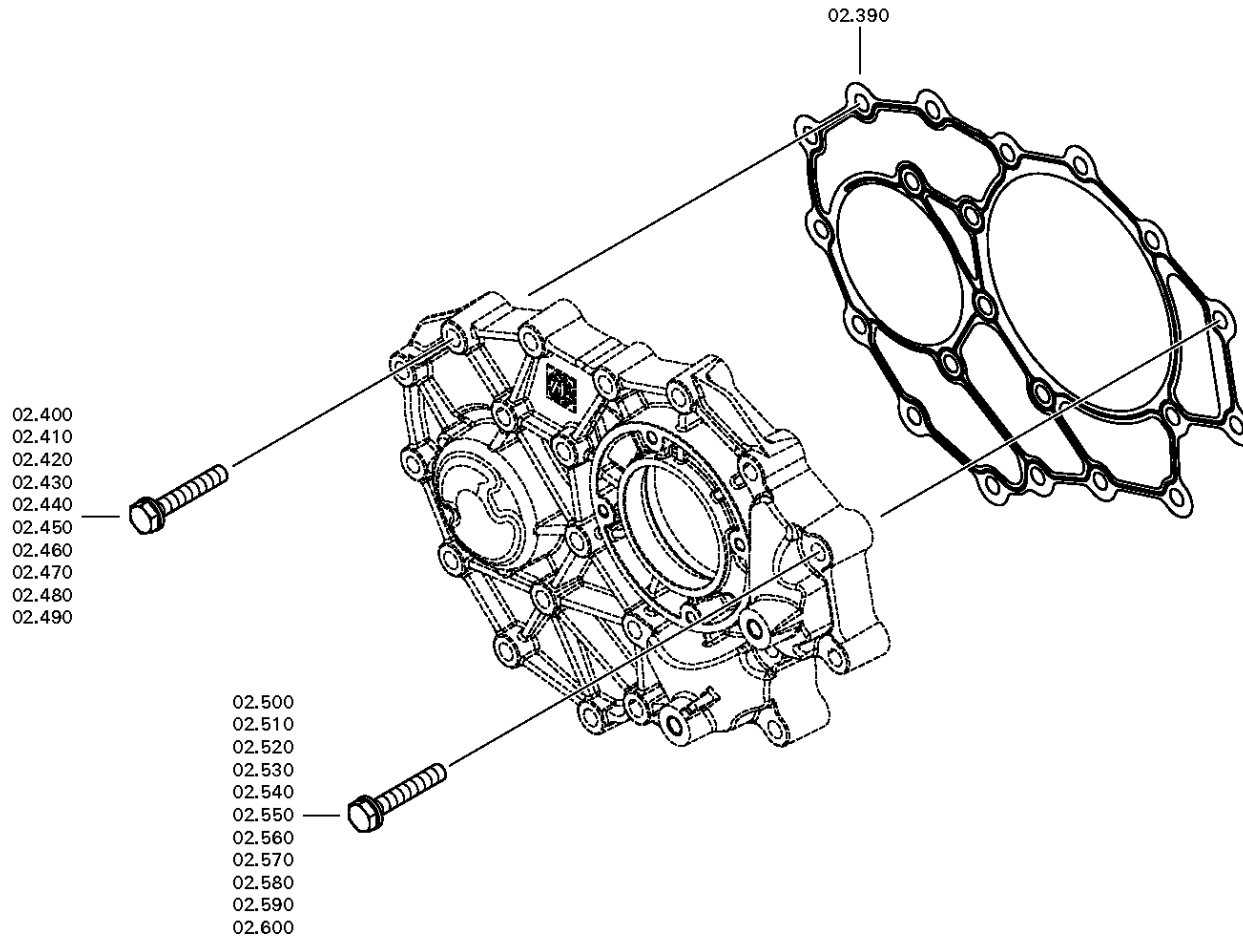
Material number: 1360.008.040

Picture: 218.02.90-1

Material-assembly-group-no: 1360.102.007



6 S 2111 BO / ()
INPUT SHAFT



Picture

Page 1 from 2

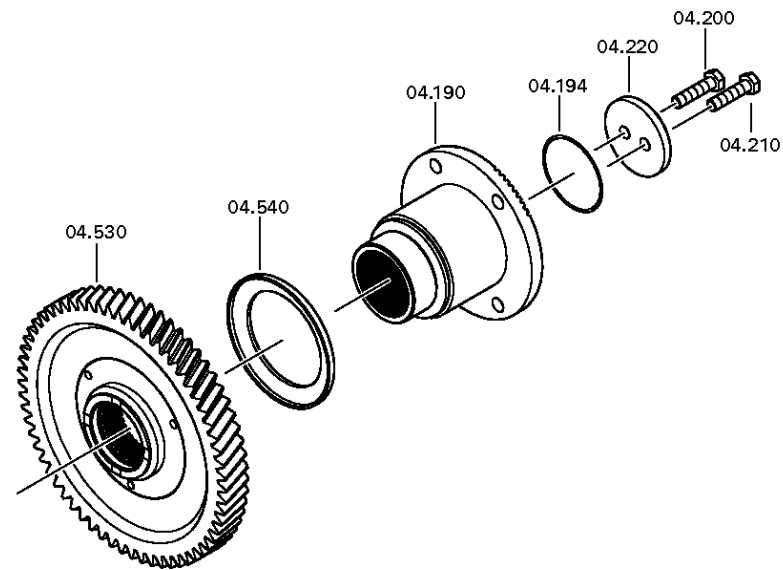
Material number: 1360.008.040

Picture: 218.04.82-1

Material-assembly-group-no: 1360.104.805



6 S 2111 BO / ()
MAIN SHAFT



Picture

Page 2 from 2

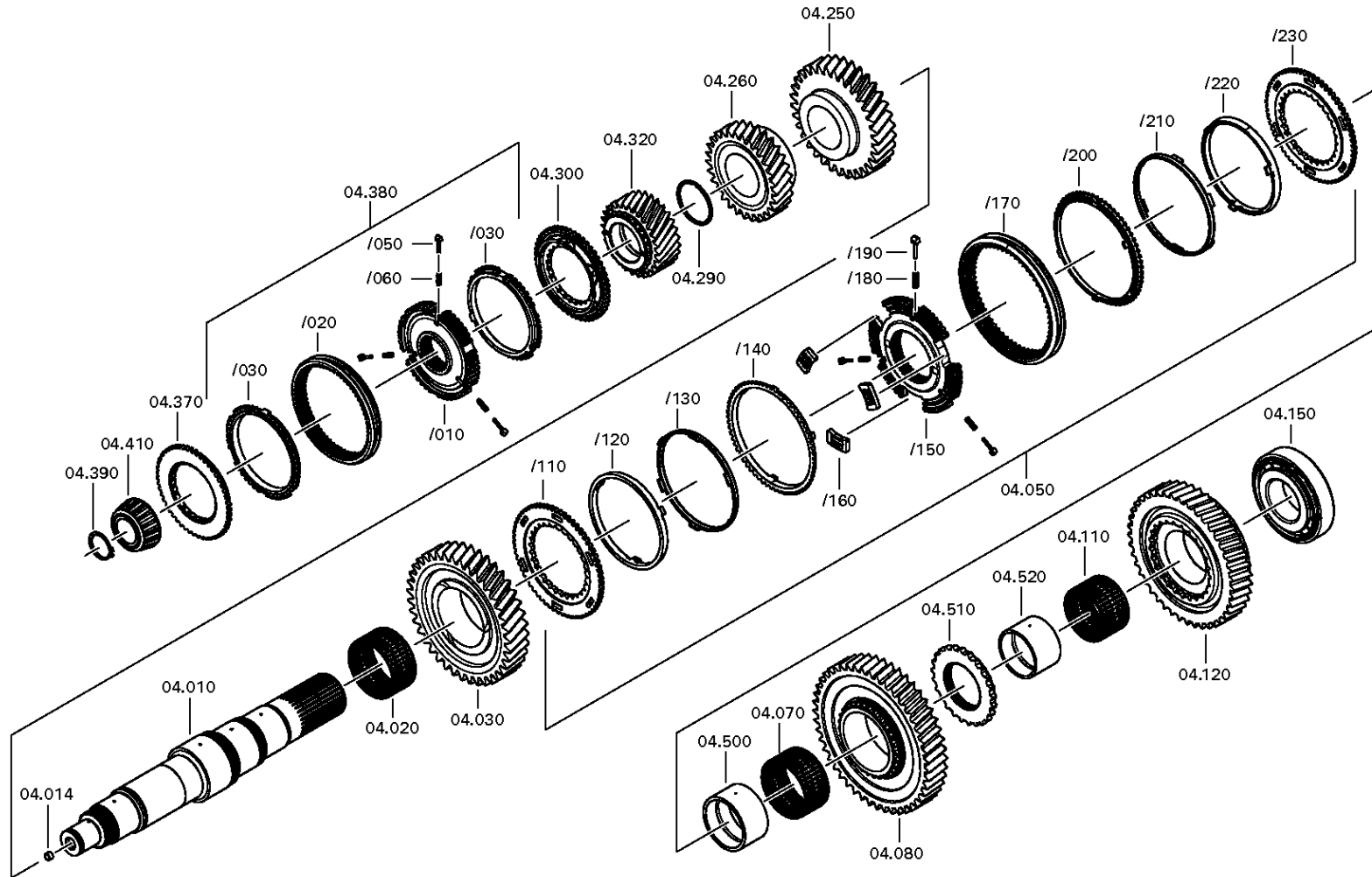
Material number: 1360.008.040

Picture: 218.04.01-1

Material-assembly-group-no: 1360.104.805



6 S 2111 BO / ()
MAIN SHAFT



Picture

Page 1 from 1

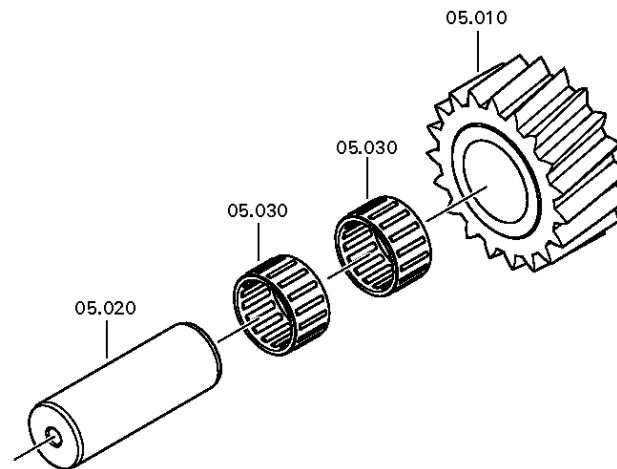
Material number: 1360.008.040

Picture: 218.05.01-1

Material-assembly-group-no: 1360.105.002



6 S 2111 BO / ()
RETURN



Picture

Page 1 from 1

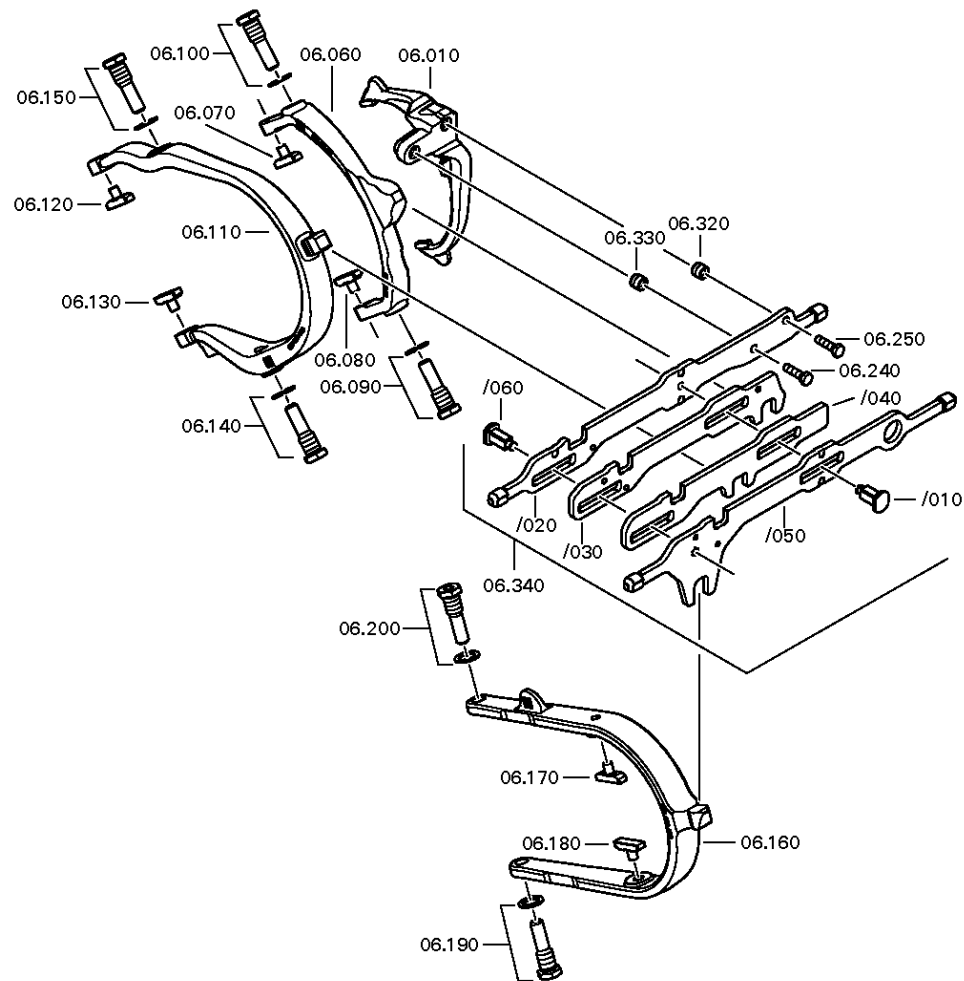
Material number: 1360.008.040

Picture: 218.06.02-1

Material-assembly-group-no: 1360.106.002



6 S 2111 BO / ()
SHIFT SYSTEM



Picture

Page 1 from 1

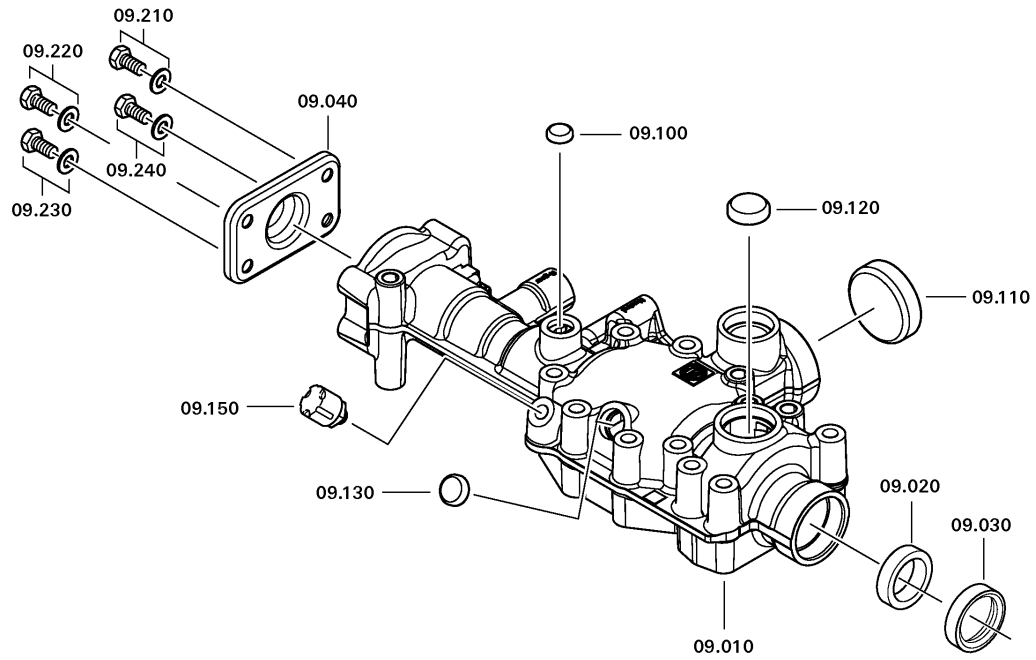
Material number: 1360.008.040

Picture: 150.009.001-1

Material-assembly-group-no: 1346.109.001



6 S 2111 BO / ()
GEAR SHIFT HOUSING



Picture

Page 1 from 1

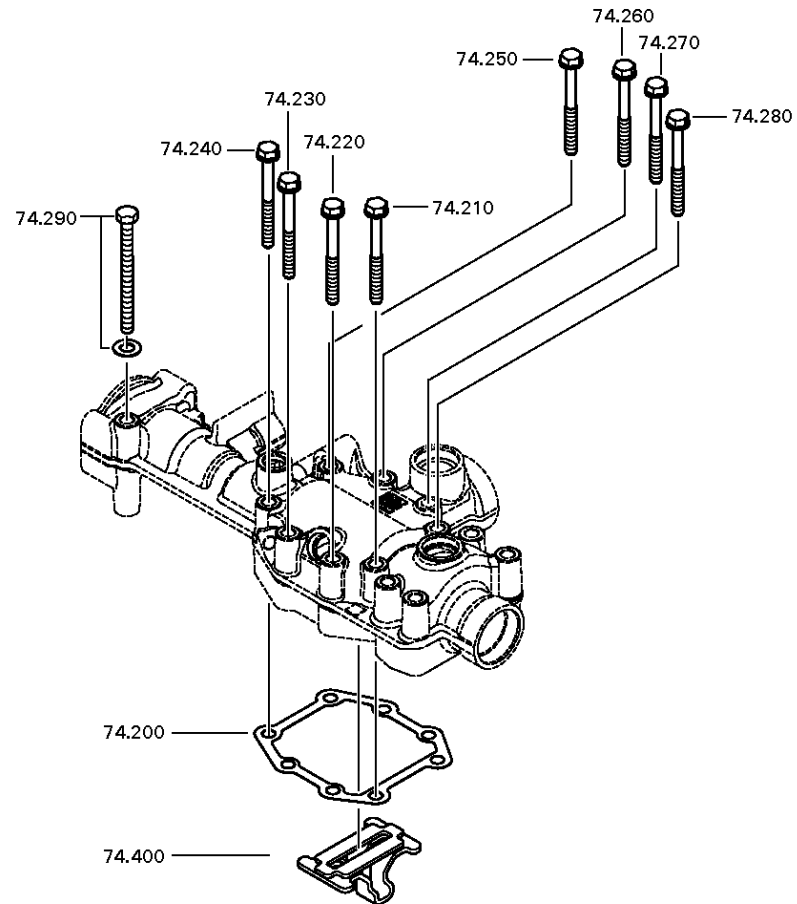
Material number: 1360.008.040

Picture: 150.10.01-1

Material-assembly-group-no: 1360.174.800



6 S 2111 BO / ()
SHIFT TURRET



Picture

Page 1 from 1

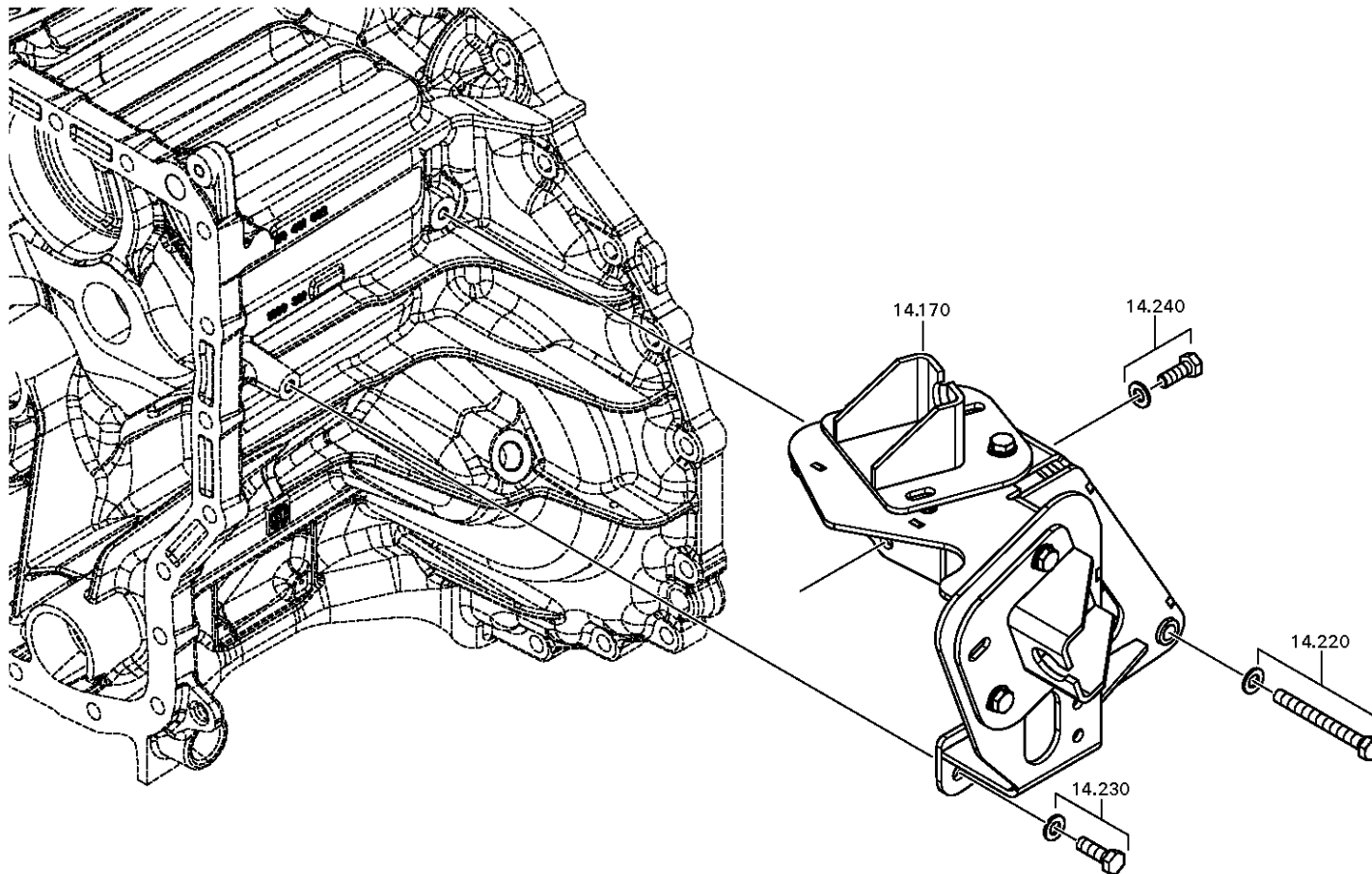
Material number: 1360.008.040

Picture: 218.14.01-1

Material-assembly-group-no: 1360.122.001



6 S 2111 BO / ()
SUPPORT



Picture

Page 1 from 1

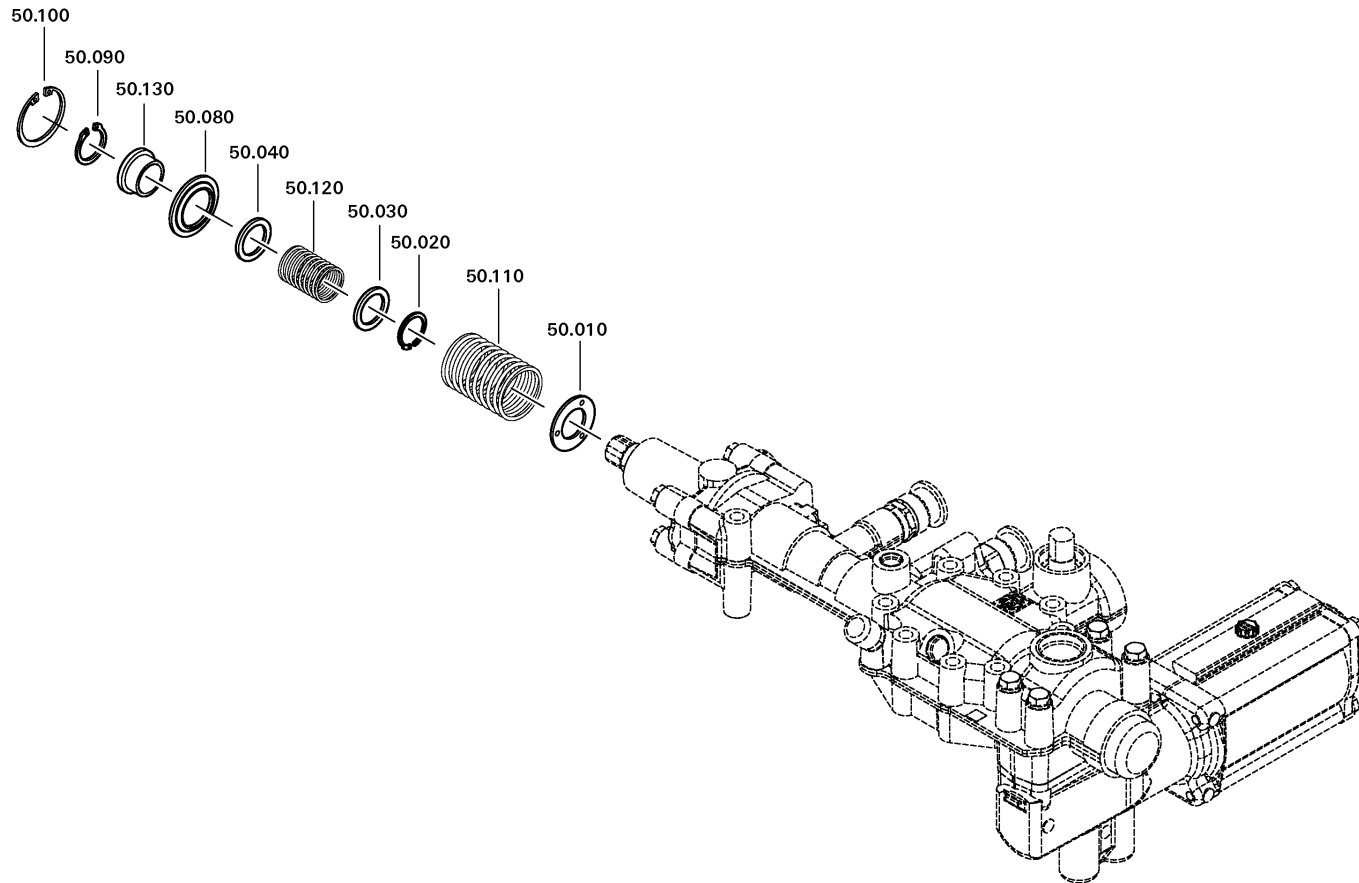
Material number: 1360.008.040

Picture: 150.050.006-1

Material-assembly-group-no: 1346.150.034



6 S 2111 BO / ()
SET OF SPRINGS



Picture

Page 1 from 1

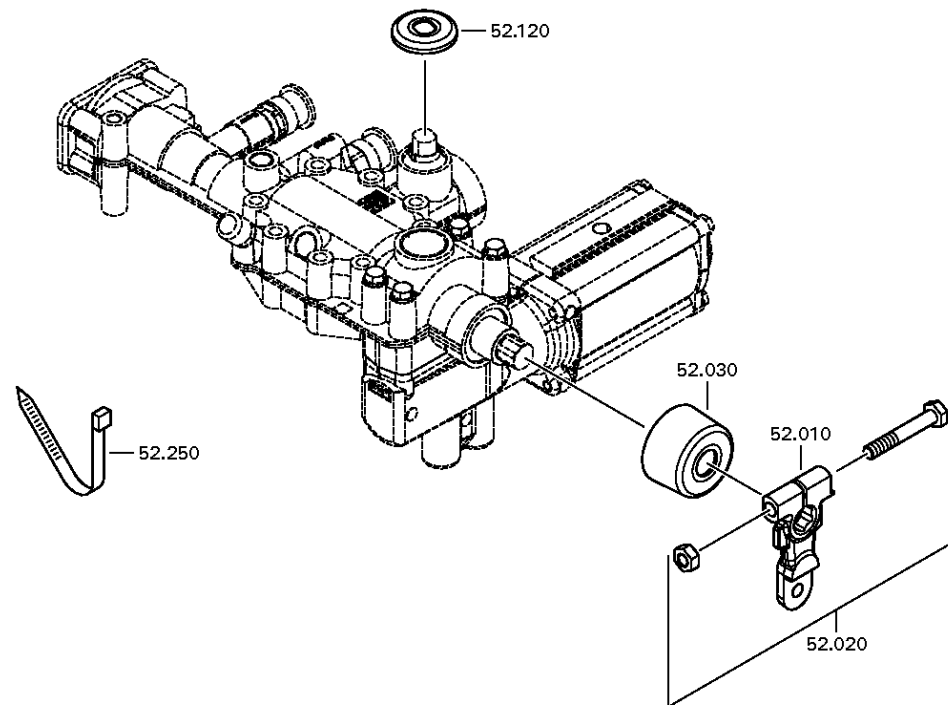
Material number: 1360.008.040

Picture: 150.52.19-1

Material-assembly-group-no: 1346.152.069



6 S 2111 BO / ()
LEVER



Picture

Page 1 from 1

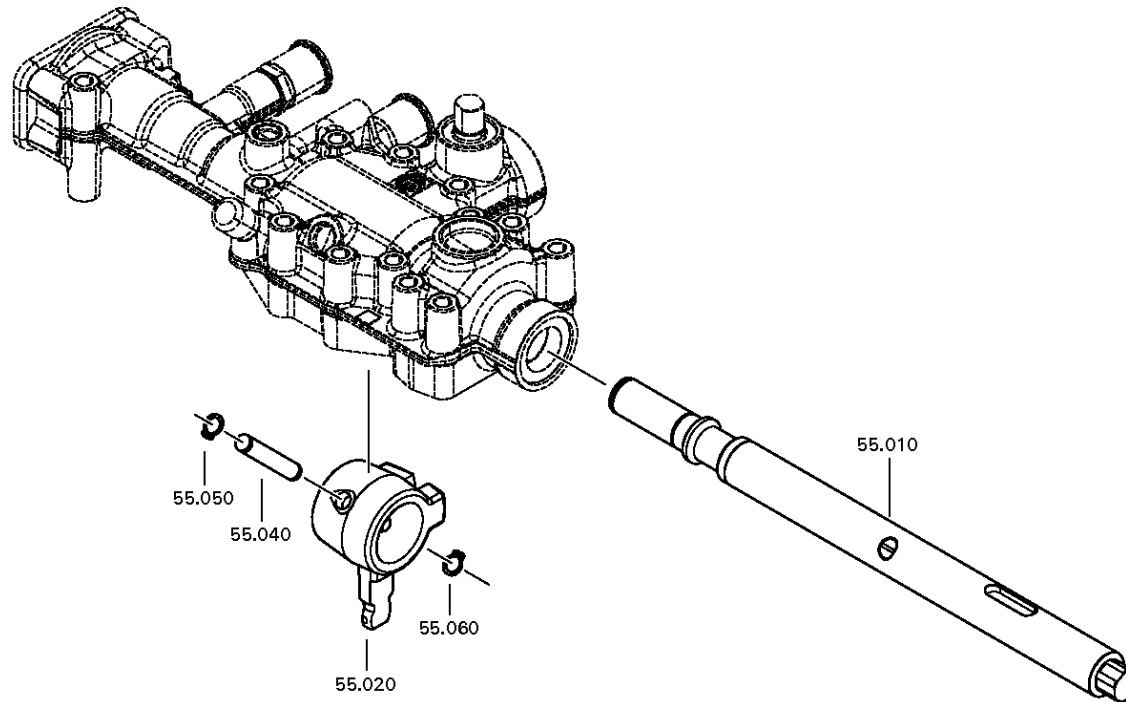
Material number: 1360.008.040

Picture: 218.55.01-1

Material-assembly-group-no: 1360.155.004



6 S 2111 BO / ()
GEARSHIFT SHAFT



Picture

Page 1 from 1

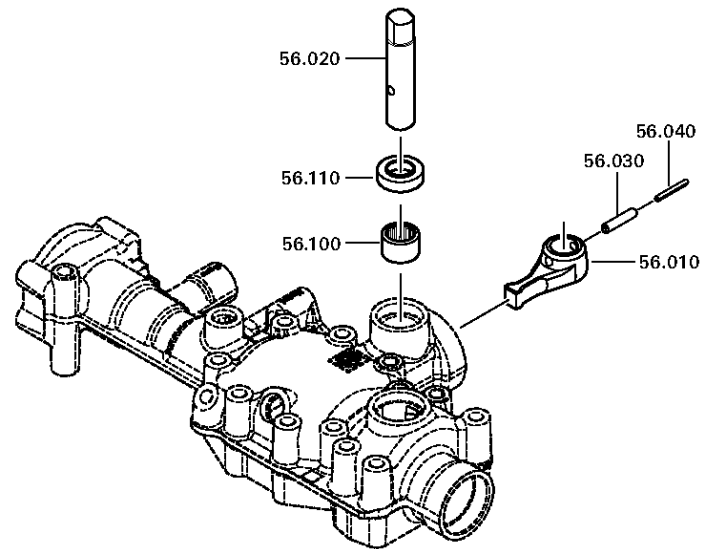
Material number: 1360.008.040

Picture: 150.56.01-1

Material-assembly-group-no: 1346.156.001



6 S 2111 BO / ()
SELECTOR CONNECTION



Picture

Page 1 from 2

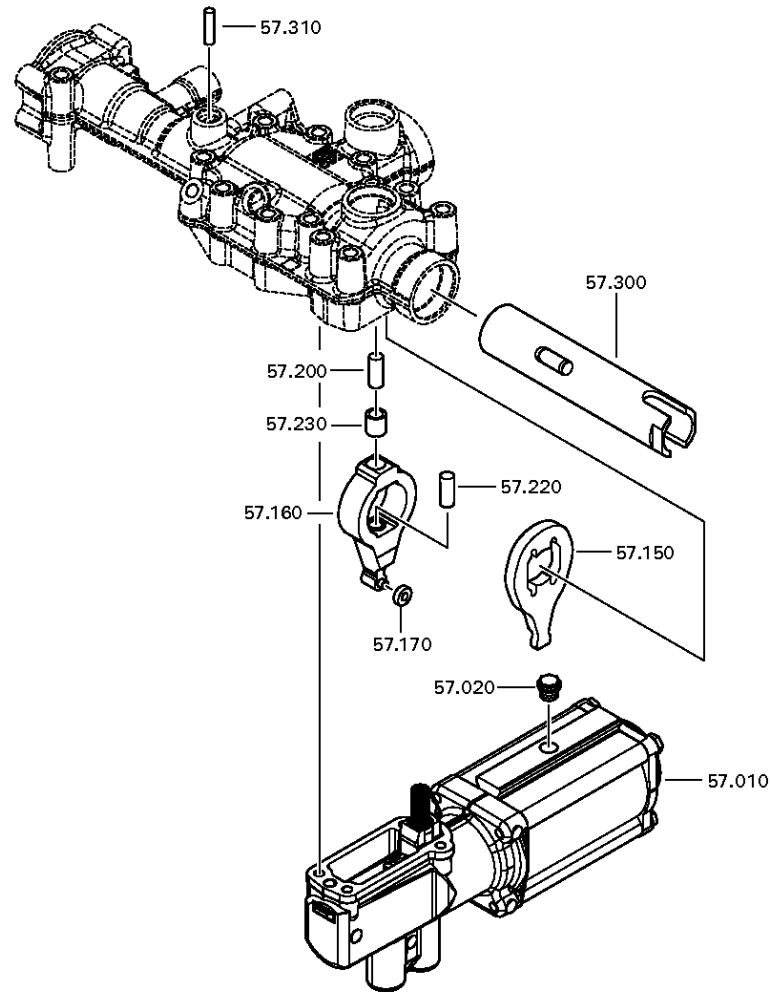
Material number: 1360.008.040

Picture: 150.57.01-1

Material-assembly-group-no: 1346.157.007



6 S 2111 BO / ()
PNEUMATIC SERVO UNIT



Picture

Page 2 from 2

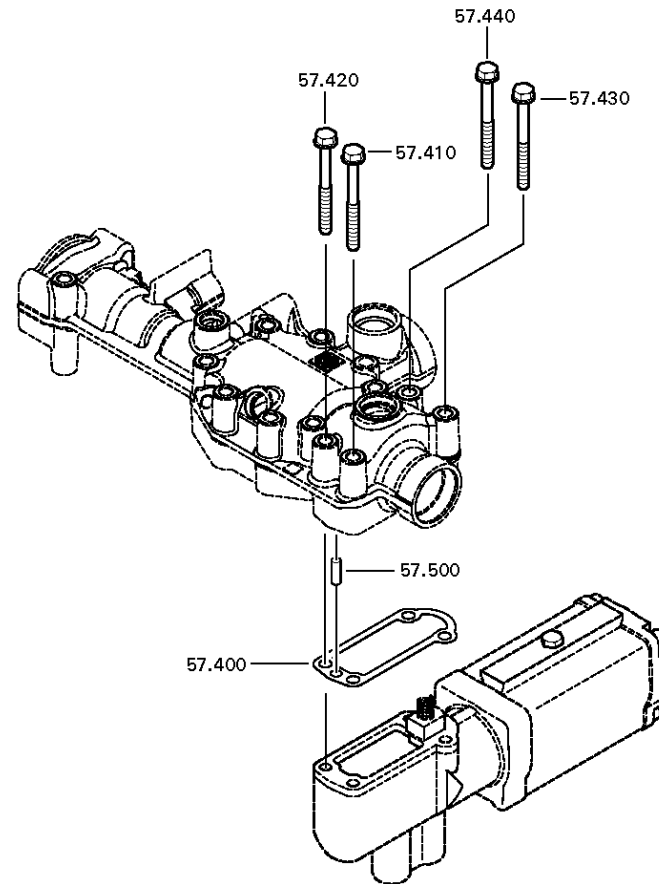
Material number: 1360.008.040

Picture: 150.57.80-1

Material-assembly-group-no: 1346.157.007



6 S 2111 BO / ()
PNEUMATIC SERVO UNIT



Picture

Page 1 from 1

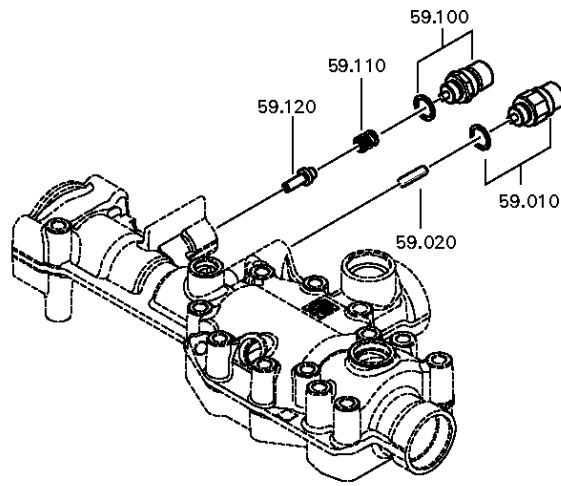
Material number: 1360.008.040

Picture: 150.59.01-1

Material-assembly-group-no: 1346.159.008



6 S 2111 BO / ()
SWITCH



Picture

Page 1 from 1

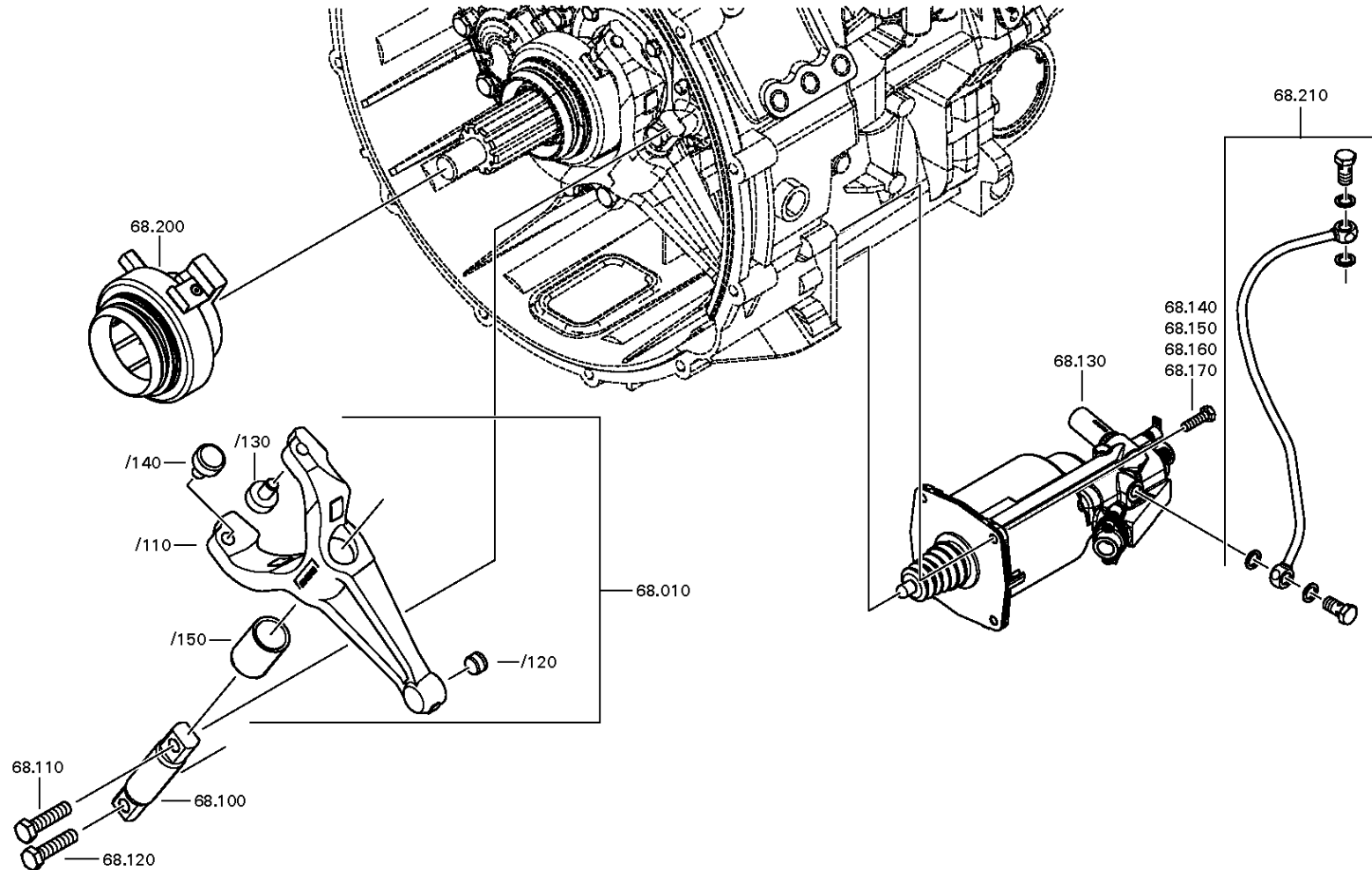
Material number: 1360.008.040

Picture: 218.93.03-1

Material-assembly-group-no: 1360.168.009



6 S 2111 BO / ()
CLUTCH RELEASE DEVICE



Assembly group overview

Page 1 from 1

Material number: 6093.080.036



6 S 2111 BO / ()

Picture	Pos.	Material number	Name	Quantity	Amend. no.	Techn. Info.
	910	6093.030.004	IT 3 ECOSH B	1		
155.C2.03-1	916	6070.010.004	EST 54 T	1		
155.E2.01-1	920	6093.109.800	ANCHORAGE	1		
155.F5.001-1	990	6070.110.110	SOFTWARE	1		

Picture

Page 1 from 1

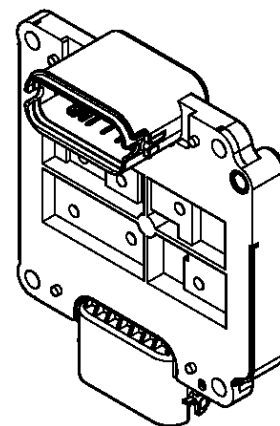
Material number: 6093.080.036

Picture: 155.C2.03-1

Material-assembly-group-no: 6070.010.004



6 S 2111 BO / ()
EST 54 T



Picture

Page 1 from 1

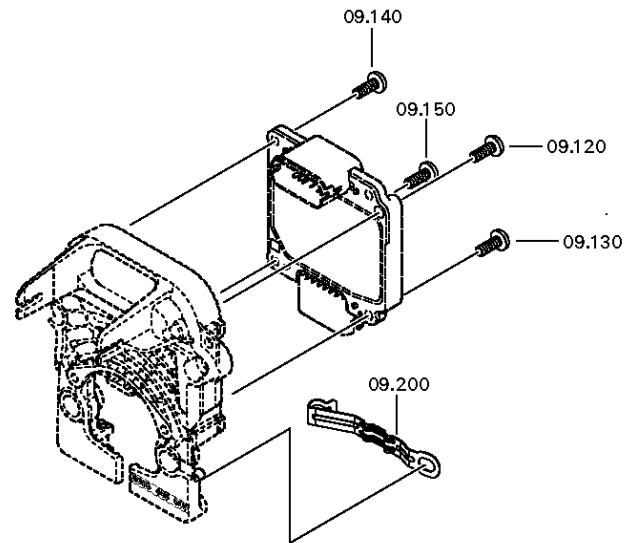
Material number: 6093.080.036

Picture: 155.E2.01-1

Material-assembly-group-no: 6093.109.800



6 S 2111 BO / ()
ANCHORAGE



Picture

Page 1 from 1

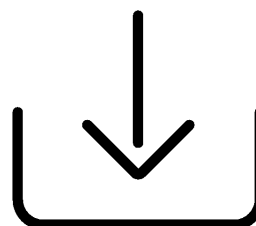
Material number: 6093.080.036

Picture: 155.F5.001-1

Material-assembly-group-no: 6070.110.110



6 S 2111 BO / ()
SOFTWARE



Picture

Page 1 from 1

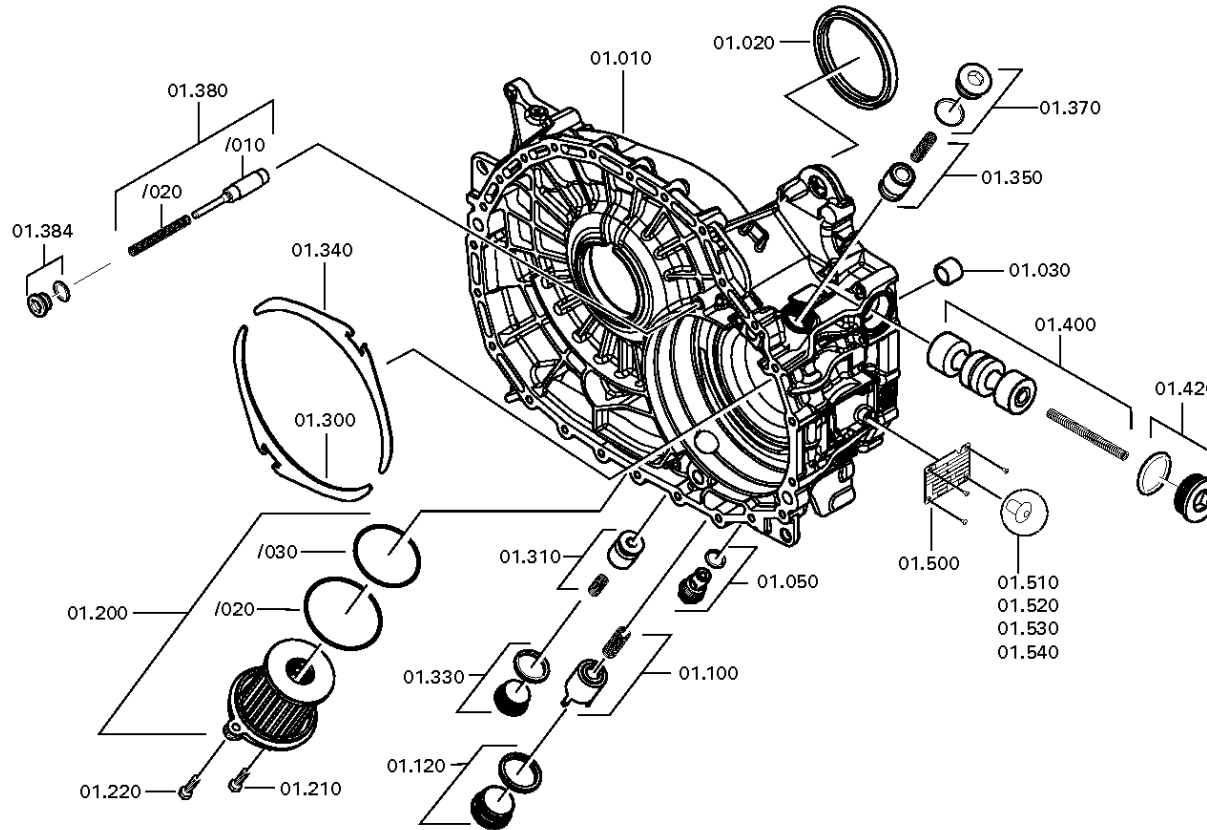
Material number: 6093.030.004

Picture: 155.01.09-1

Material-assembly-group-no: 6093.101.009



6 S 2111 BO / ()
HOUSING



Picture

Page 1 from 3

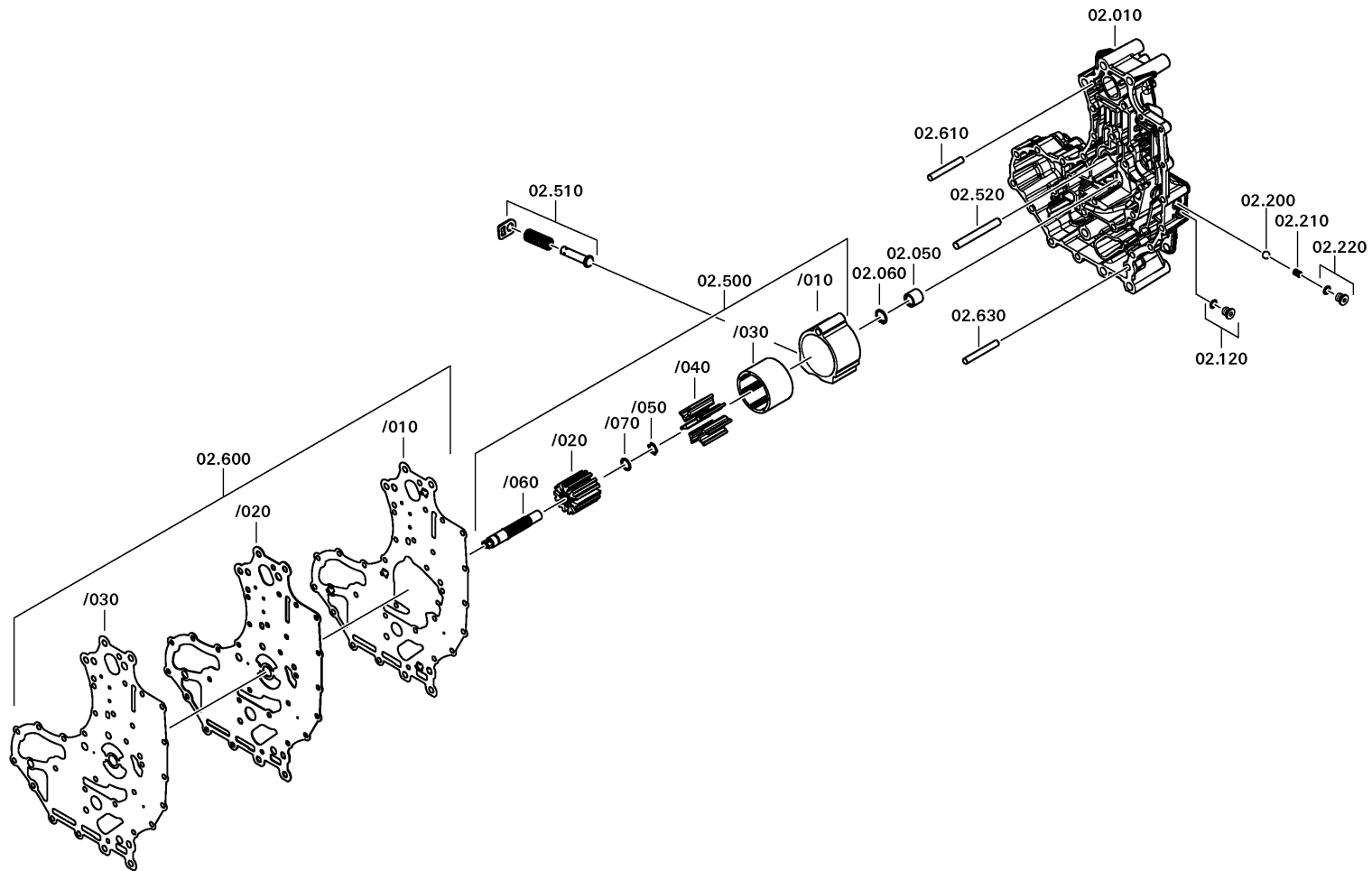
Material number: 6093.030.004

Picture: 155.002.001-1

Material-assembly-group-no: 6093.102.005



6 S 2111 BO / ()
CONTROL UNIT



Picture

Page 2 from 3

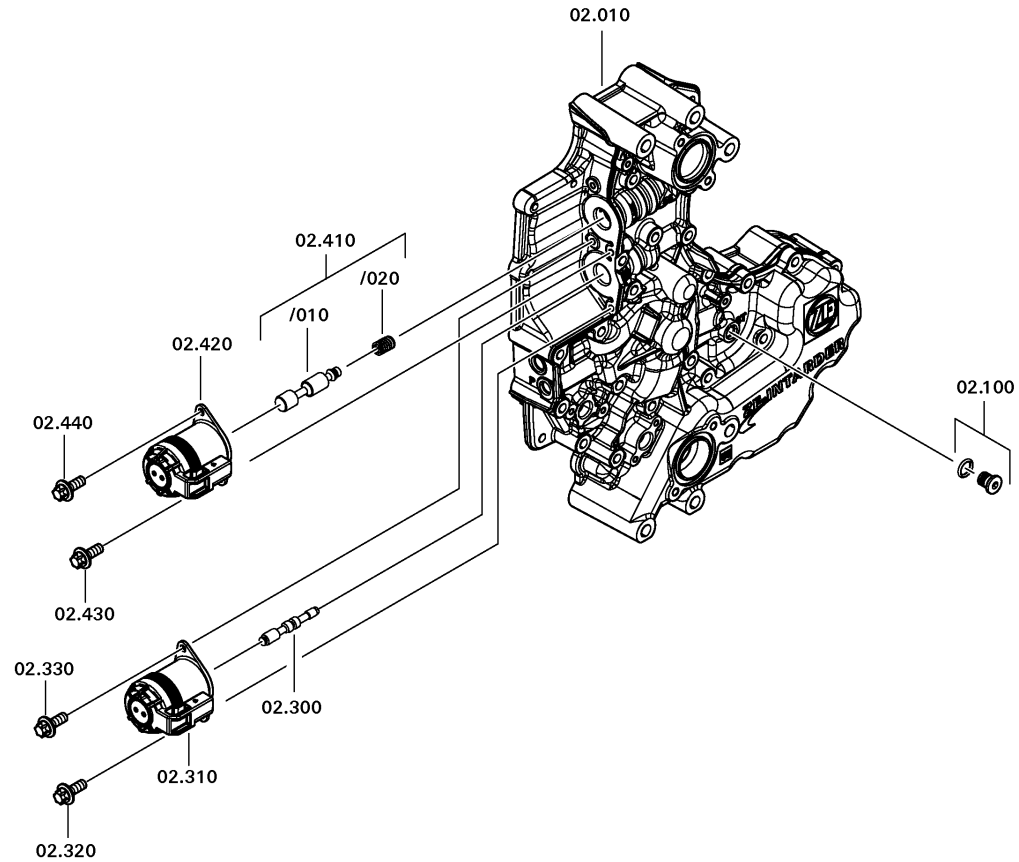
Material number: 6093.030.004

Picture: 155.002.001-2

Material-assembly-group-no: 6093.102.005



6 S 2111 BO / ()
CONTROL UNIT



Picture

Page 3 from 3

Material number: 6093.030.004

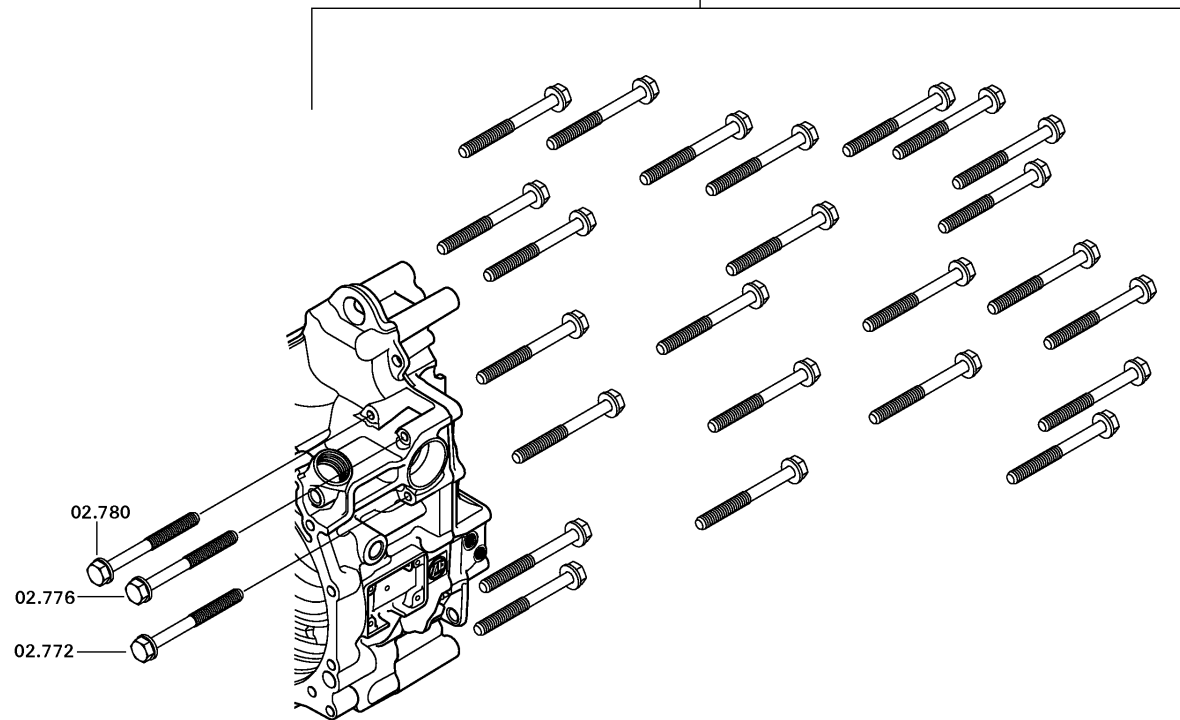
Picture: 155.002.080-1

Material-assembly-group-no: 6093.102.005



6 S 2111 BO / ()
CONTROL UNIT

02.700	02.716	02.732	02.748	02.764	02.792
02.704	02.720	02.736	02.752	02.768	02.796
02.708	02.724	02.740	02.756	02.784	02.800
02.712	02.728	02.744	02.760	02.788	02.804



Picture

Page 1 from 2

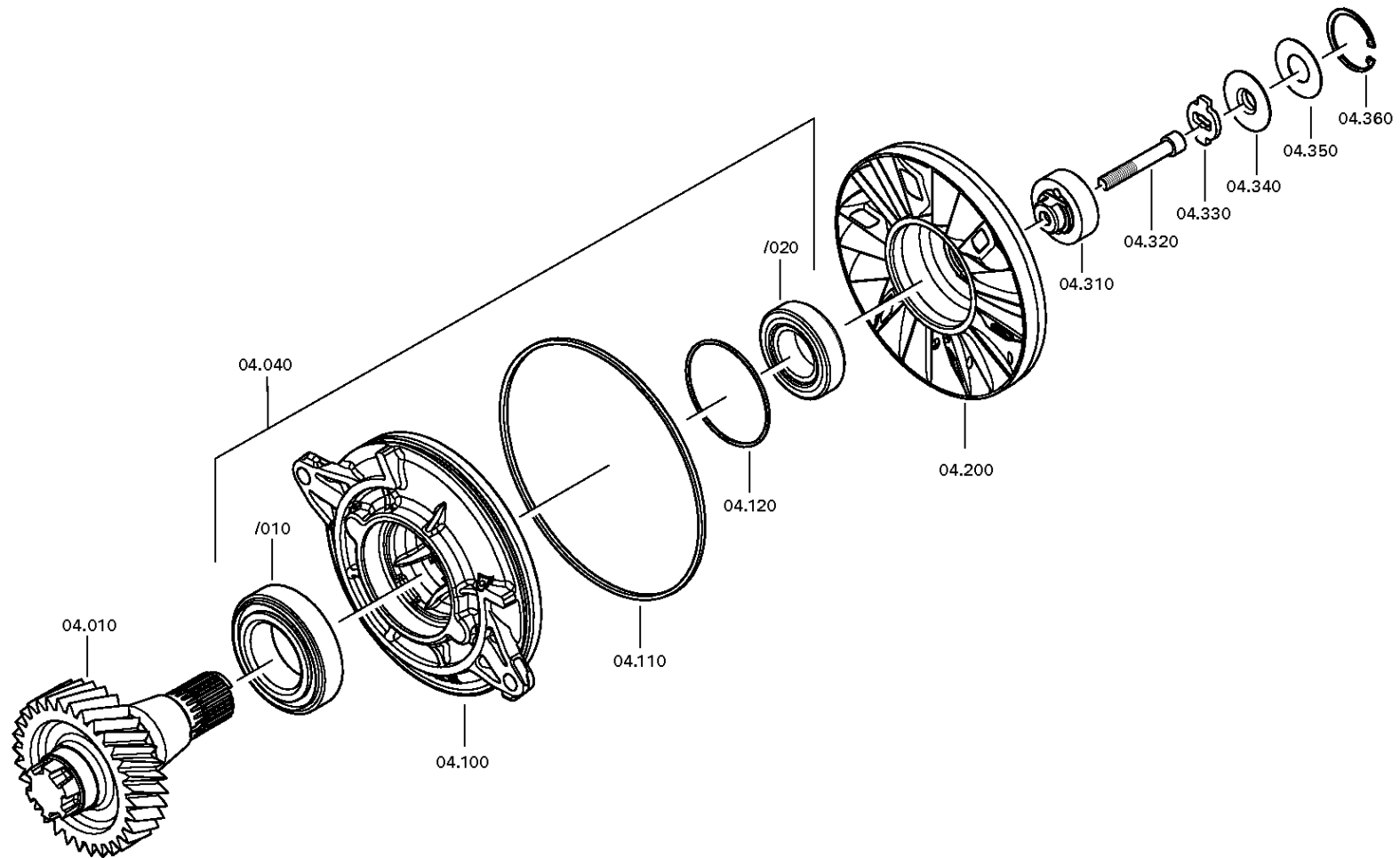
Material number: 6093.030.004

Picture: 155.04.01-1

Material-assembly-group-no: 6093.104.010



6 S 2111 BO / ()
RETARDER



Picture

Page 2 from 2

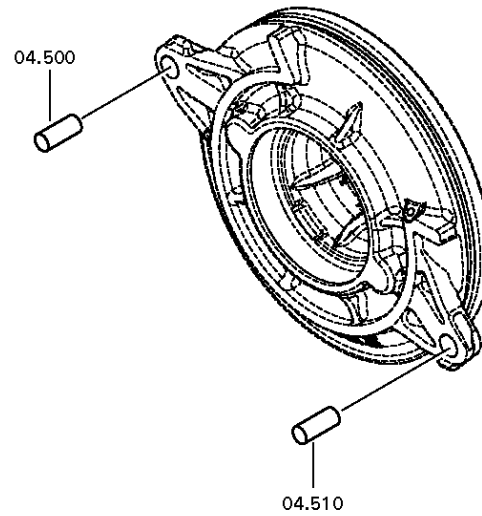
Material number: 6093.030.004

Picture: 155.04.80-1

Material-assembly-group-no: 6093.104.010



6 S 2111 BO / ()
RETARDER



Picture

Page 1 from 2

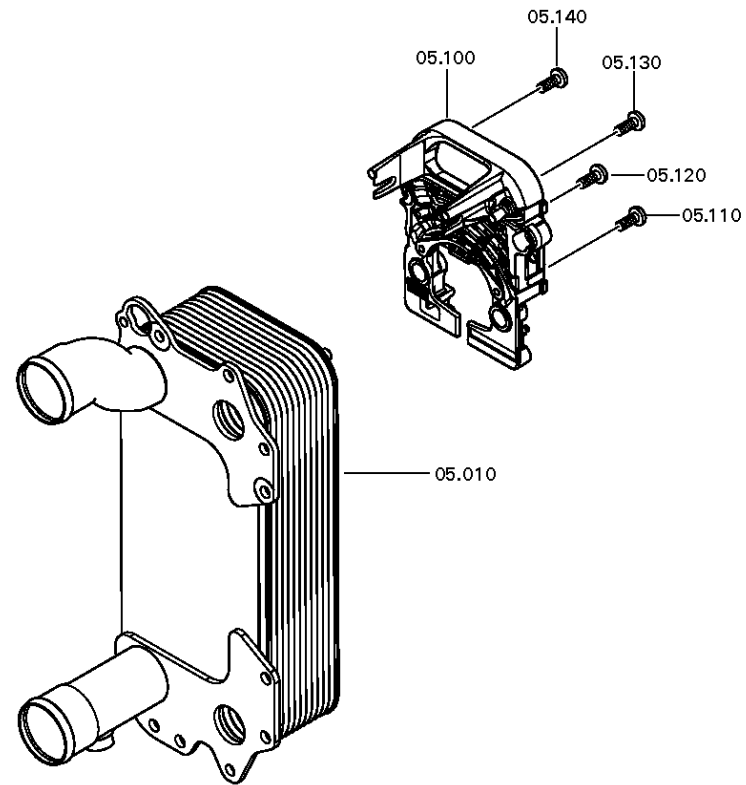
Material number: 6093.030.004

Picture: 155.05.01-1

Material-assembly-group-no: 6093.105.007



6 S 2111 BO / ()
HEAT EXCHANGER



Picture

Page 2 from 2

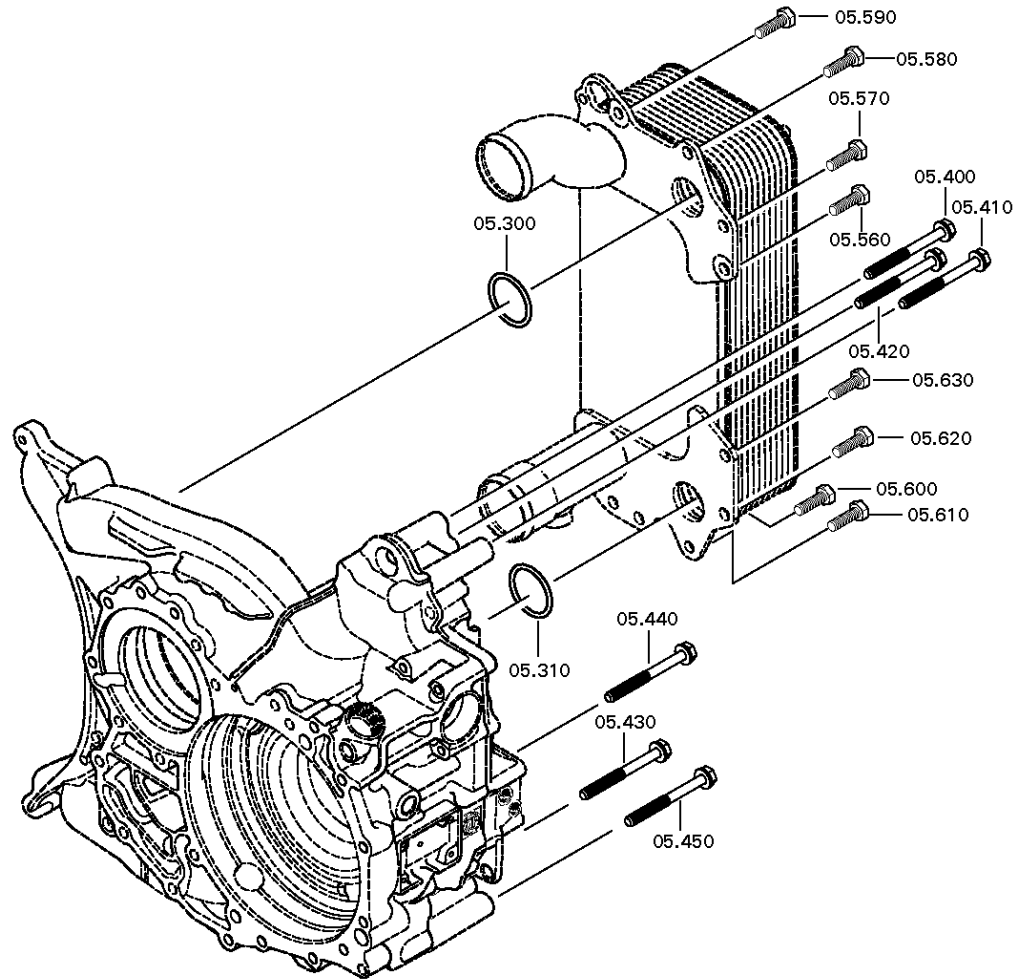
Material number: 6093.030.004

Picture: 155.05.80-1

Material-assembly-group-no: 6093.105.007



6 S 2111 BO / ()
HEAT EXCHANGER



Picture

Page 1 from 1

Material number: 6093.030.004

Picture: 155.07.05-1

Material-assembly-group-no: 6093.107.006



6 S 2111 BO / ()
WIRING

