



Spare Parts Catalog

8 AP 900 B

()

Material number: 4198.020.003

Current date: 24.03.2026

ZF Friedrichshafen AG
Hauptverwaltung
80038 Friedrichshafen
Deutschland

Telefon: +49 7541 77-0

Telefax: +49 7541 77-908000

www.zf.com

zuständiges Werk:
Friedrichshafen

Picture

Page 1 from 5

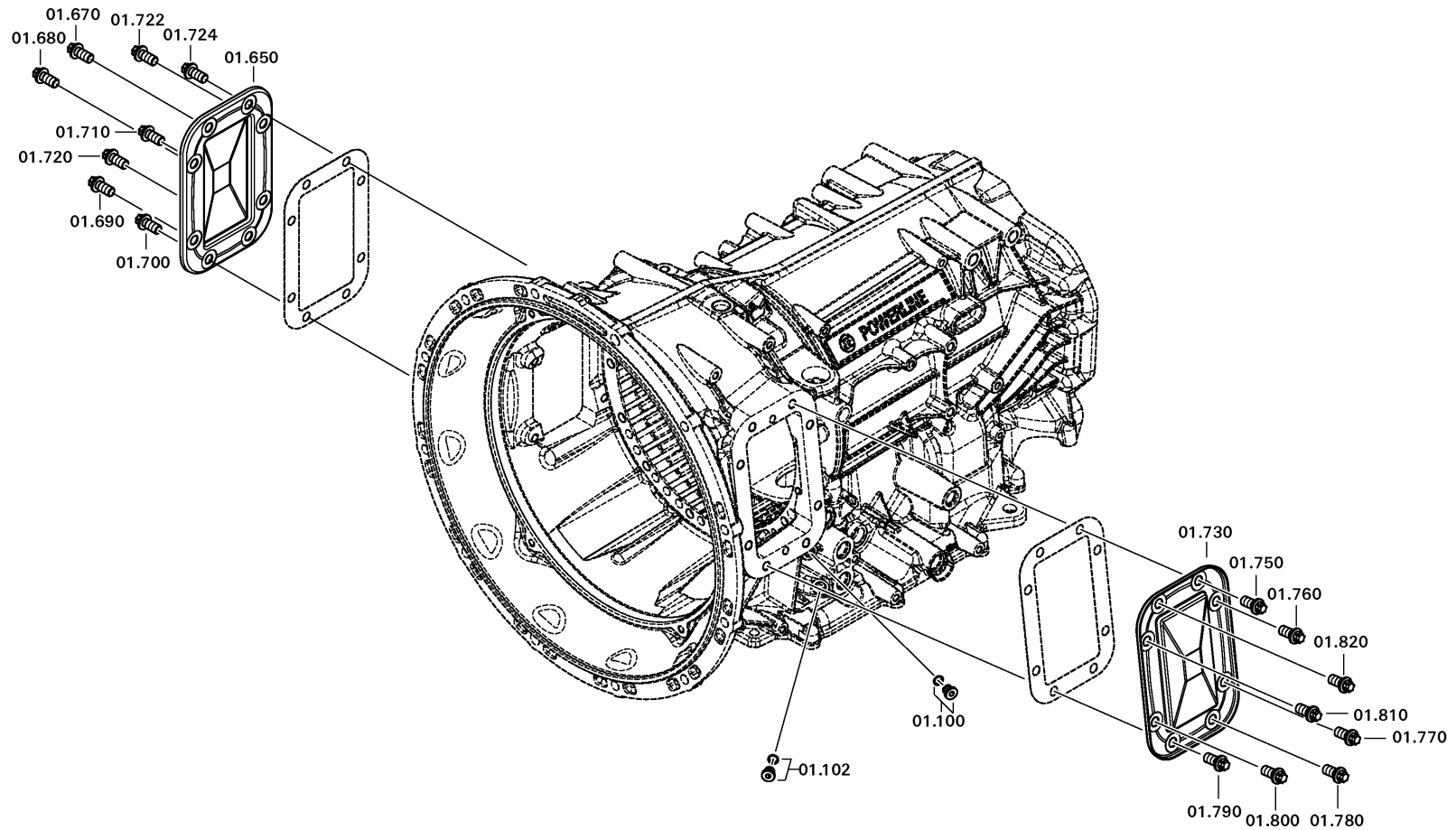
Material number: 4198.020.003

Picture: 227.001.003-1

Material-assembly-group-no: 1390.101.017



8 AP 900 B / ()
TRANSMISSION HOUSING



Picture

Page 2 from 5

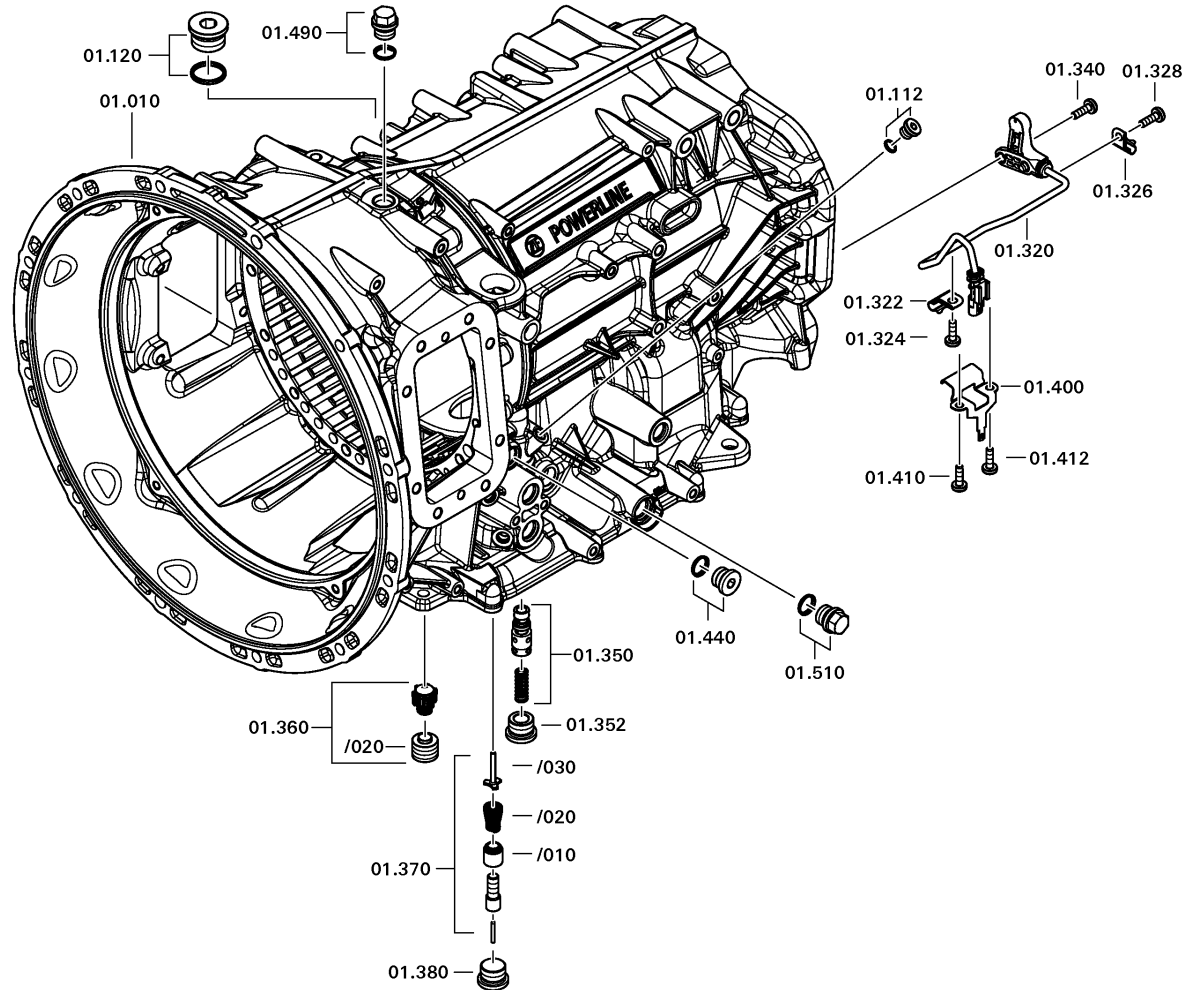
Material number: 4198.020.003

Picture: 227.001.003-2

Material-assembly-group-no: 1390.101.017



8 AP 900 B / ()
TRANSMISSION HOUSING



Picture

Page 3 from 5

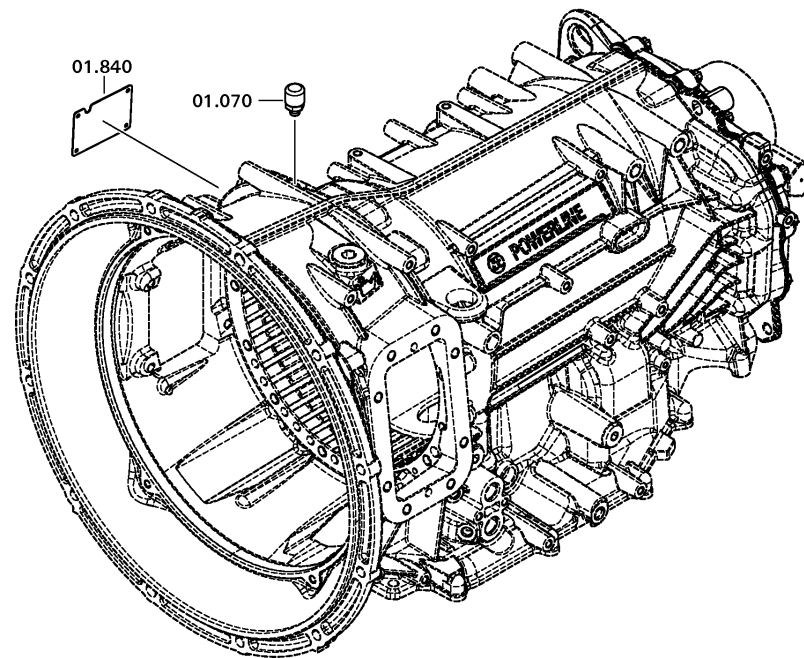
Material number: 4198.020.003

Picture: 227.001.012

Material-assembly-group-no: 1390.101.017



8 AP 900 B / ()
TRANSMISSION HOUSING



Picture

Page 4 from 5

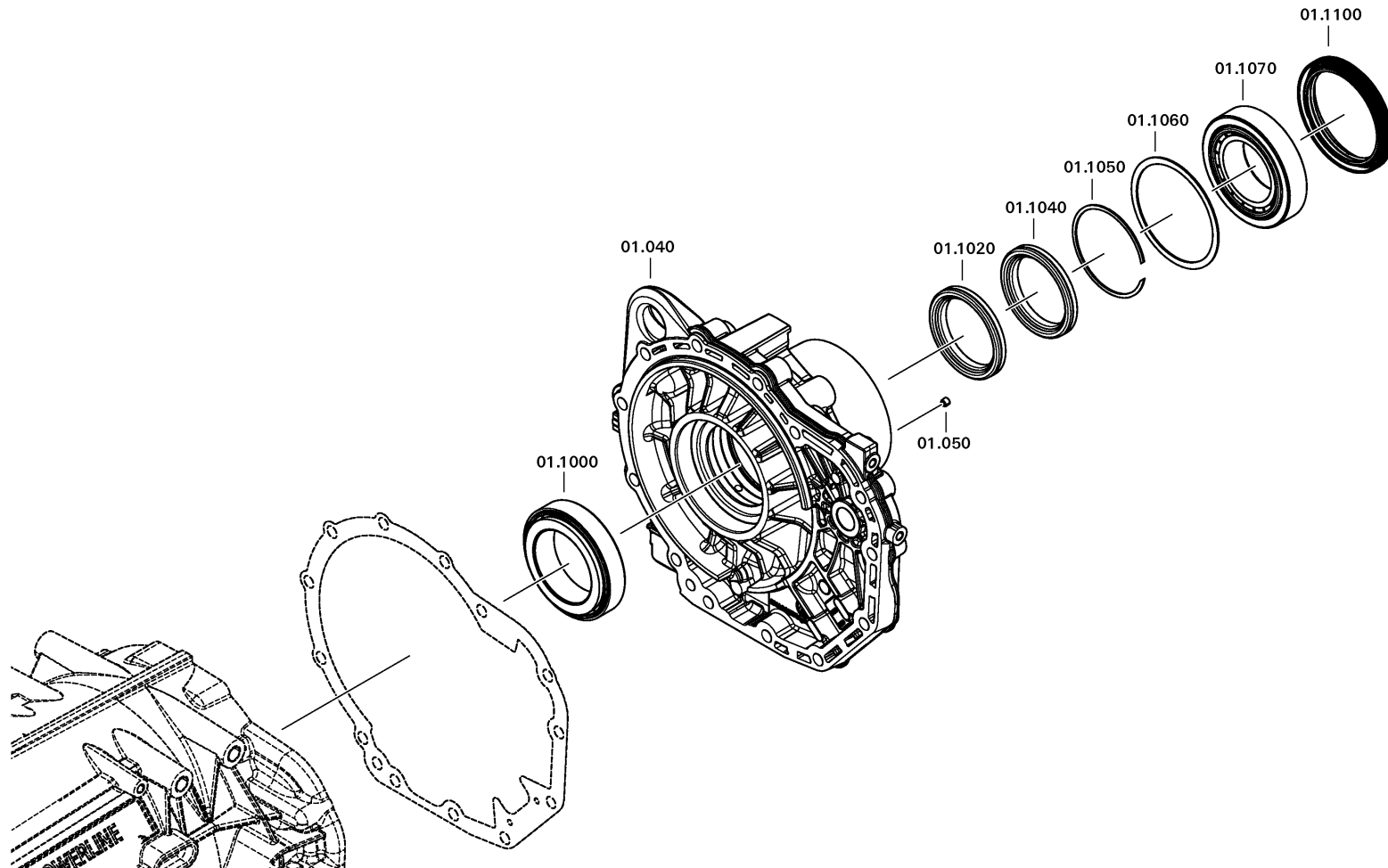
Material number: 4198.020.003

Picture: 227.001.024

Material-assembly-group-no: 1390.101.017



8 AP 900 B / ()
TRANSMISSION HOUSING



Picture

Page 5 from 5

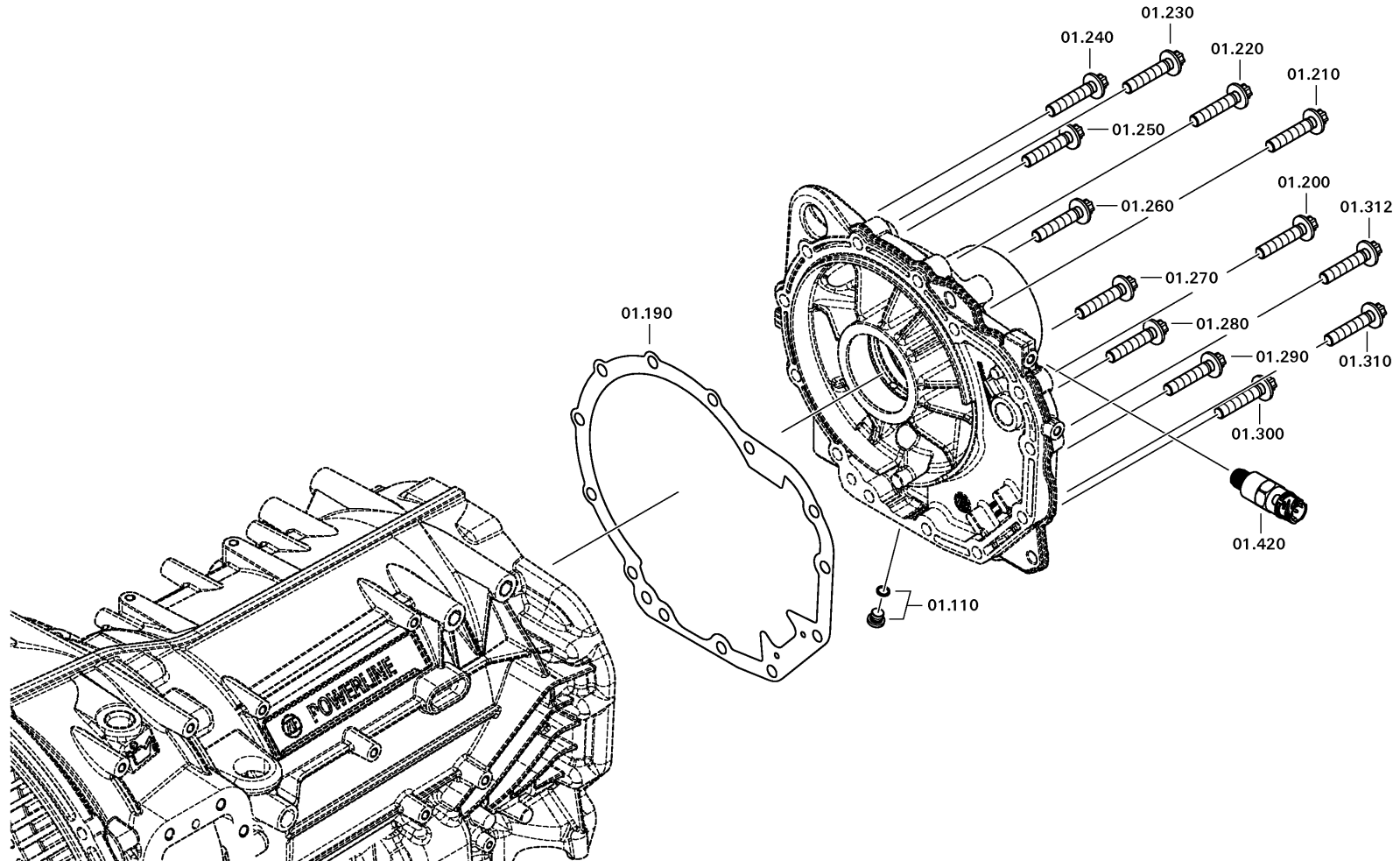
Material number: 4198.020.003

Picture: 227.001.039

Material-assembly-group-no: 1390.101.017



8 AP 900 B / ()
TRANSMISSION HOUSING



Picture

Page 1 from 1

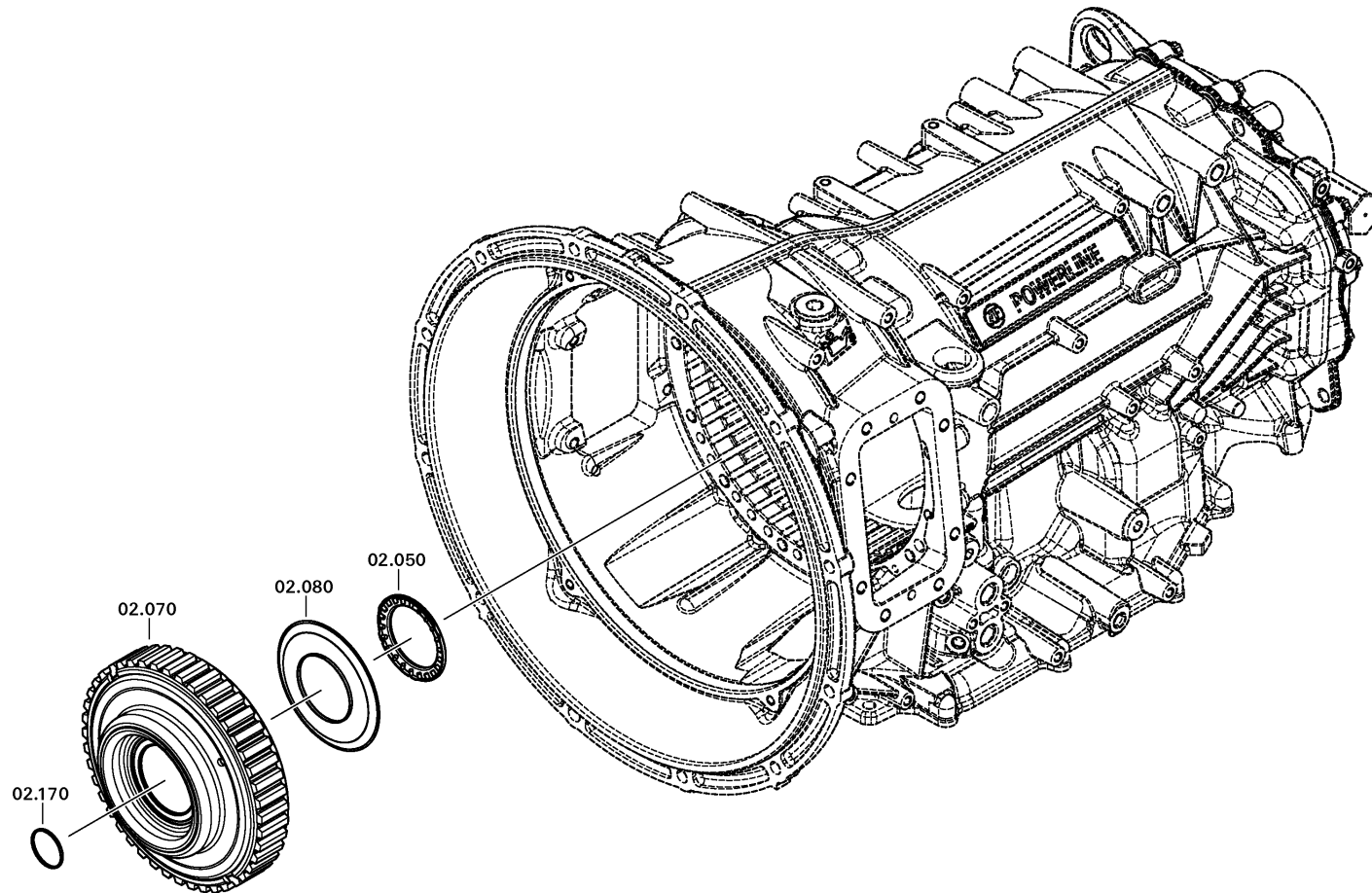
Material number: 4198.020.003

Picture: 227.002.001

Material-assembly-group-no: 1390.102.804



8 AP 900 B / ()
INPUT



Picture

Page 1 from 1

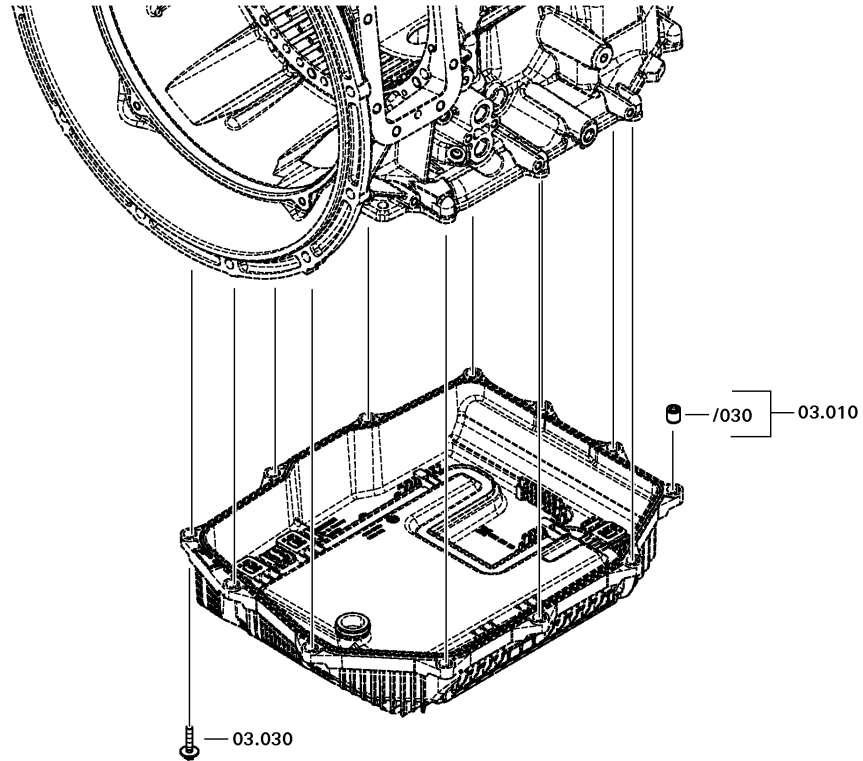
Material number: 4198.020.003

Picture: 227.003.001

Material-assembly-group-no: 1390.103.803



8 AP 900 B / ()
OIL PAN



Picture

Page 1 from 1

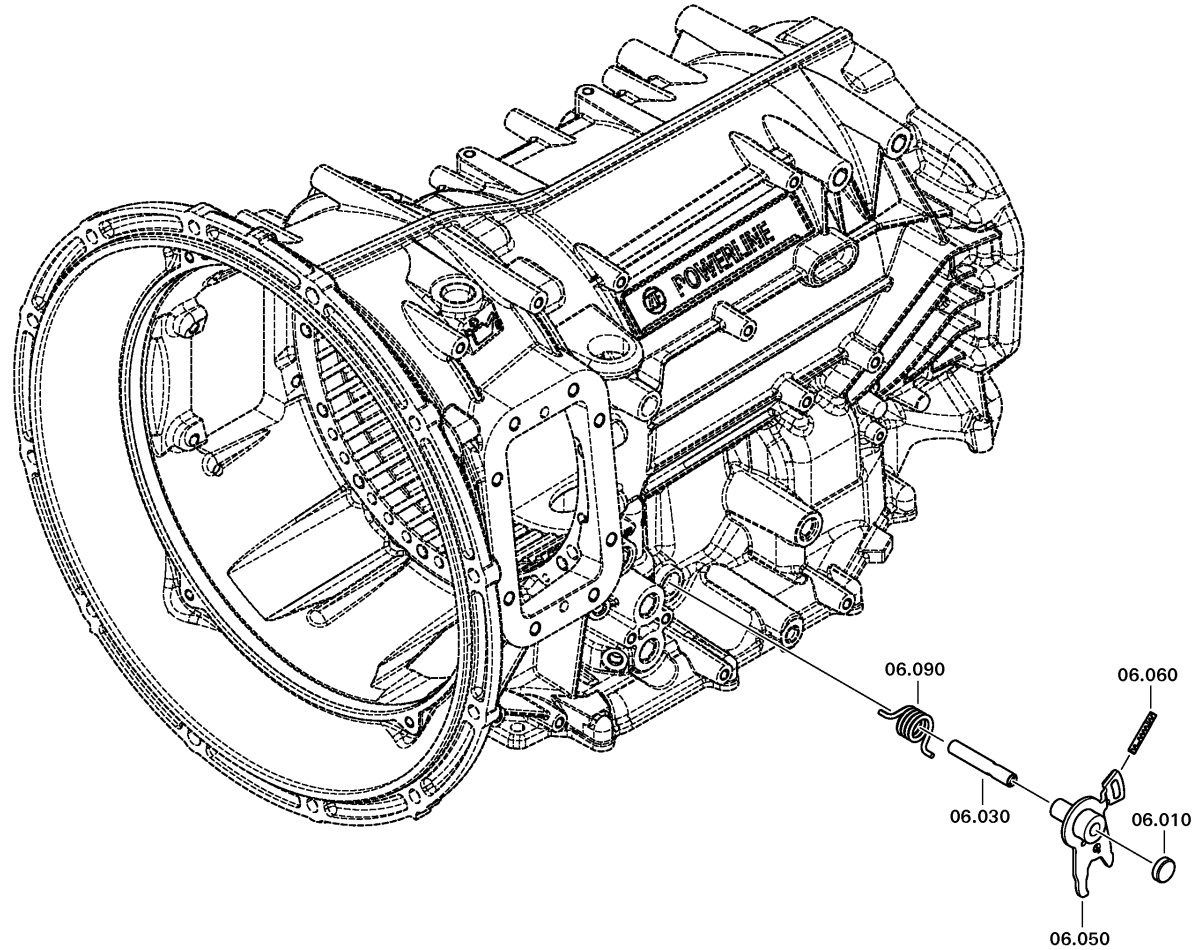
Material number: 4198.020.003

Picture: 227.006.002

Material-assembly-group-no: 1390.106.805



8 AP 900 B / ()
TRANSMISSION SHIFT SYSTEM



Picture

Page 1 from 5

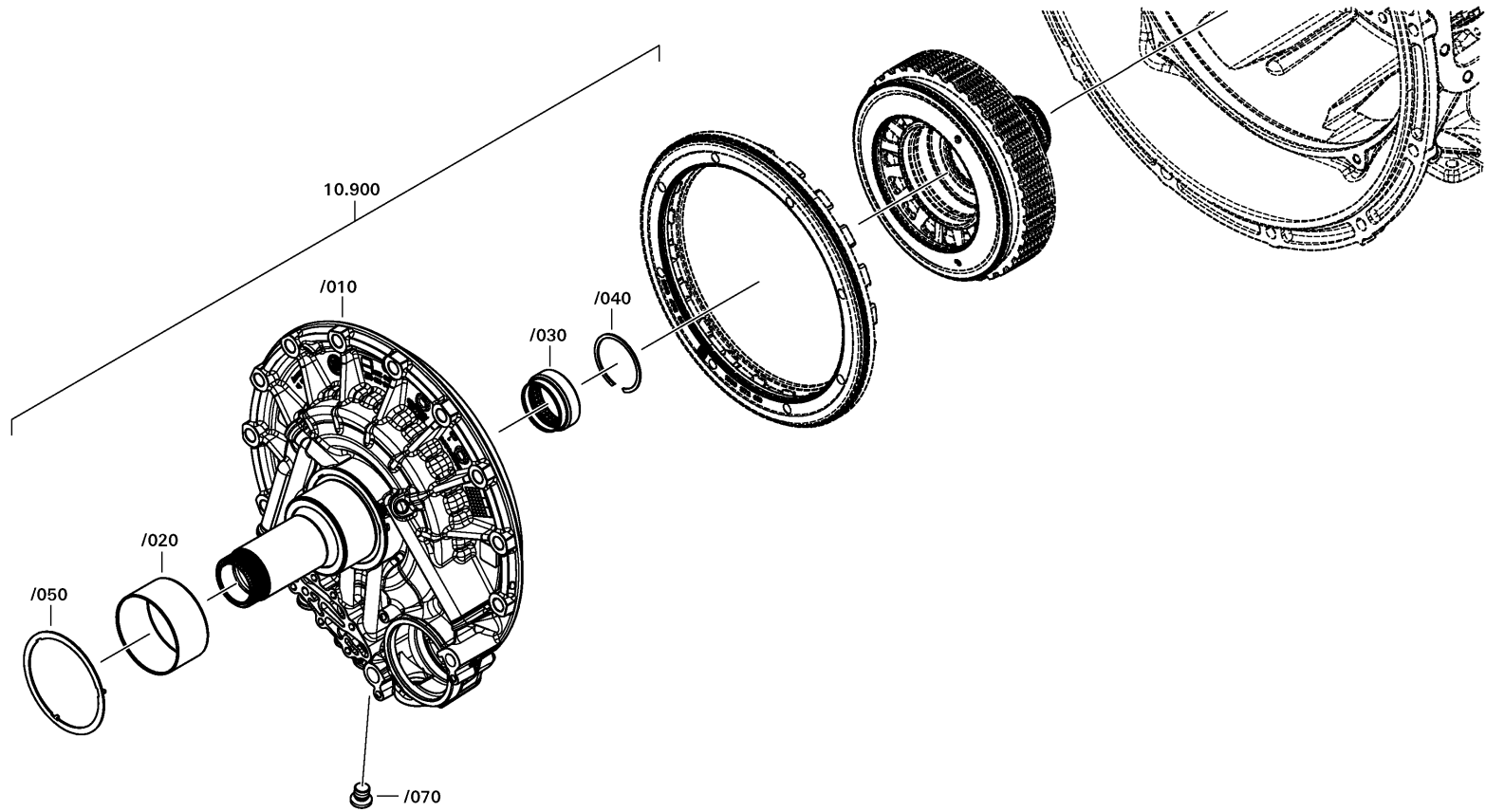
Material number: 4198.020.003

Picture: 227.010.001

Material-assembly-group-no: 1390.110.306



8 AP 900 B / ()
OIL SUPPLY



Picture

Page 2 from 5

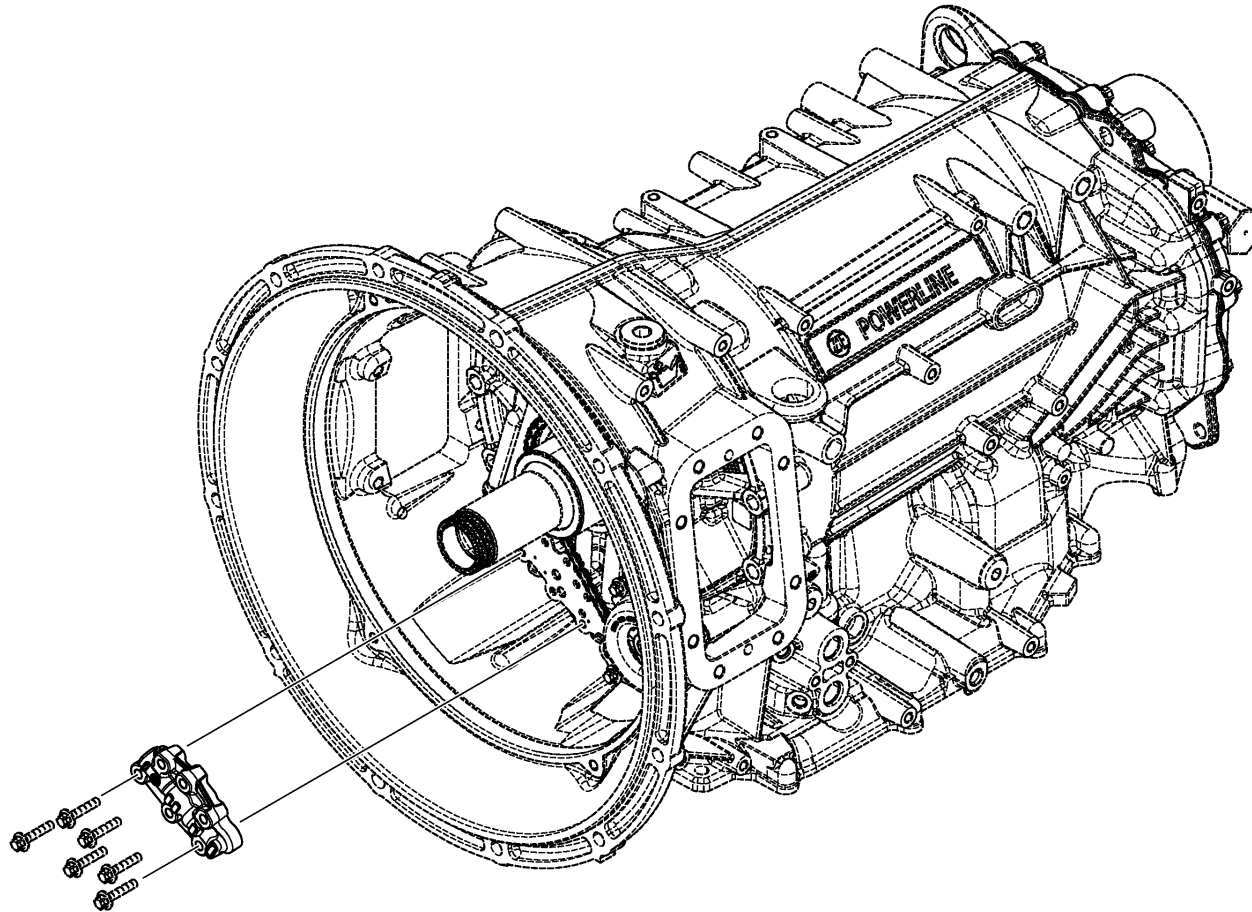
Material number: 4198.020.003

Picture: 227.010.002

Material-assembly-group-no: 1390.110.306



8 AP 900 B / ()
OIL SUPPLY



Picture

Page 3 from 5

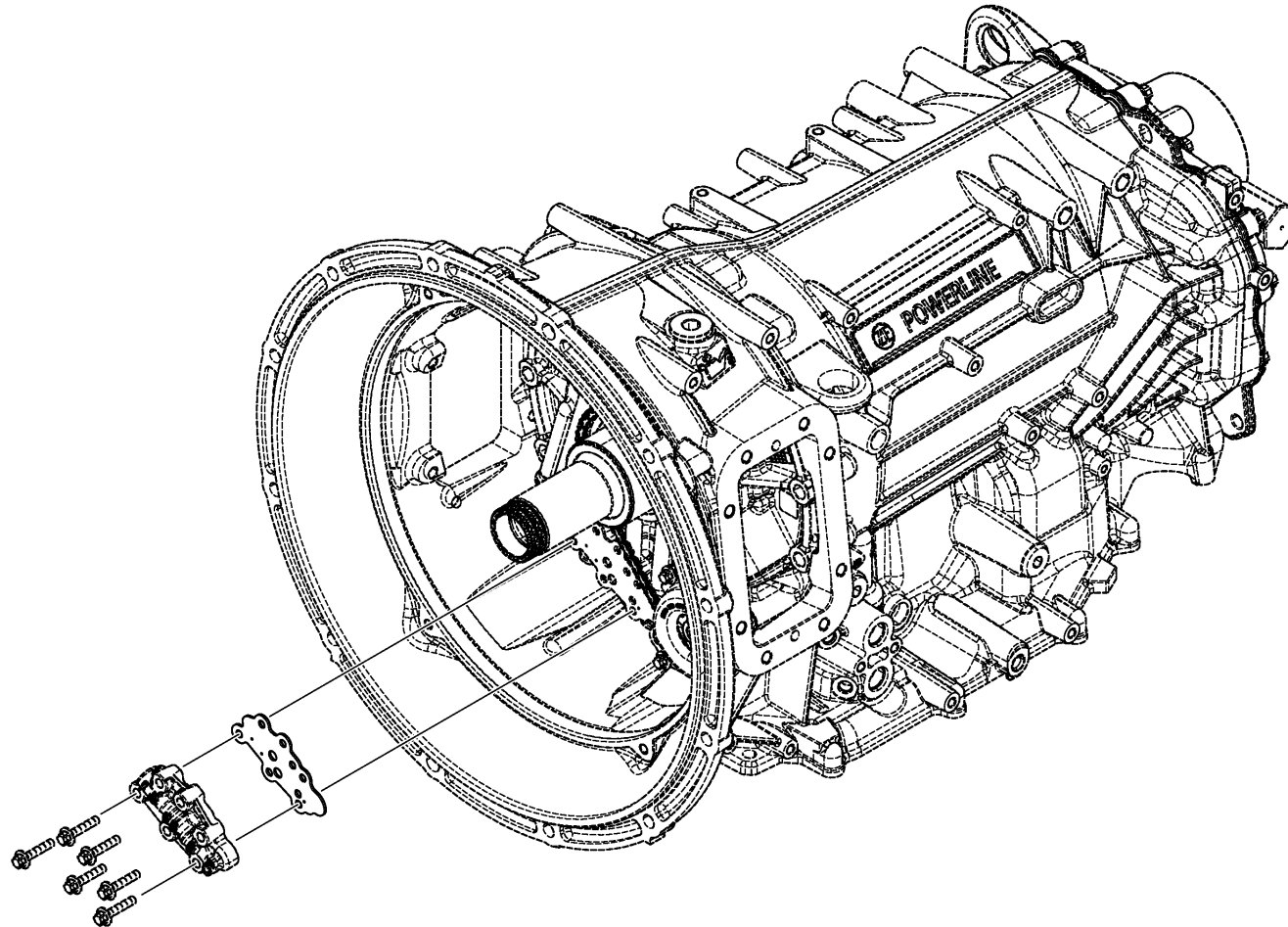
Material number: 4198.020.003

Picture: 227.010.003

Material-assembly-group-no: 1390.110.306



8 AP 900 B / ()
OIL SUPPLY



Picture

Page 4 from 5

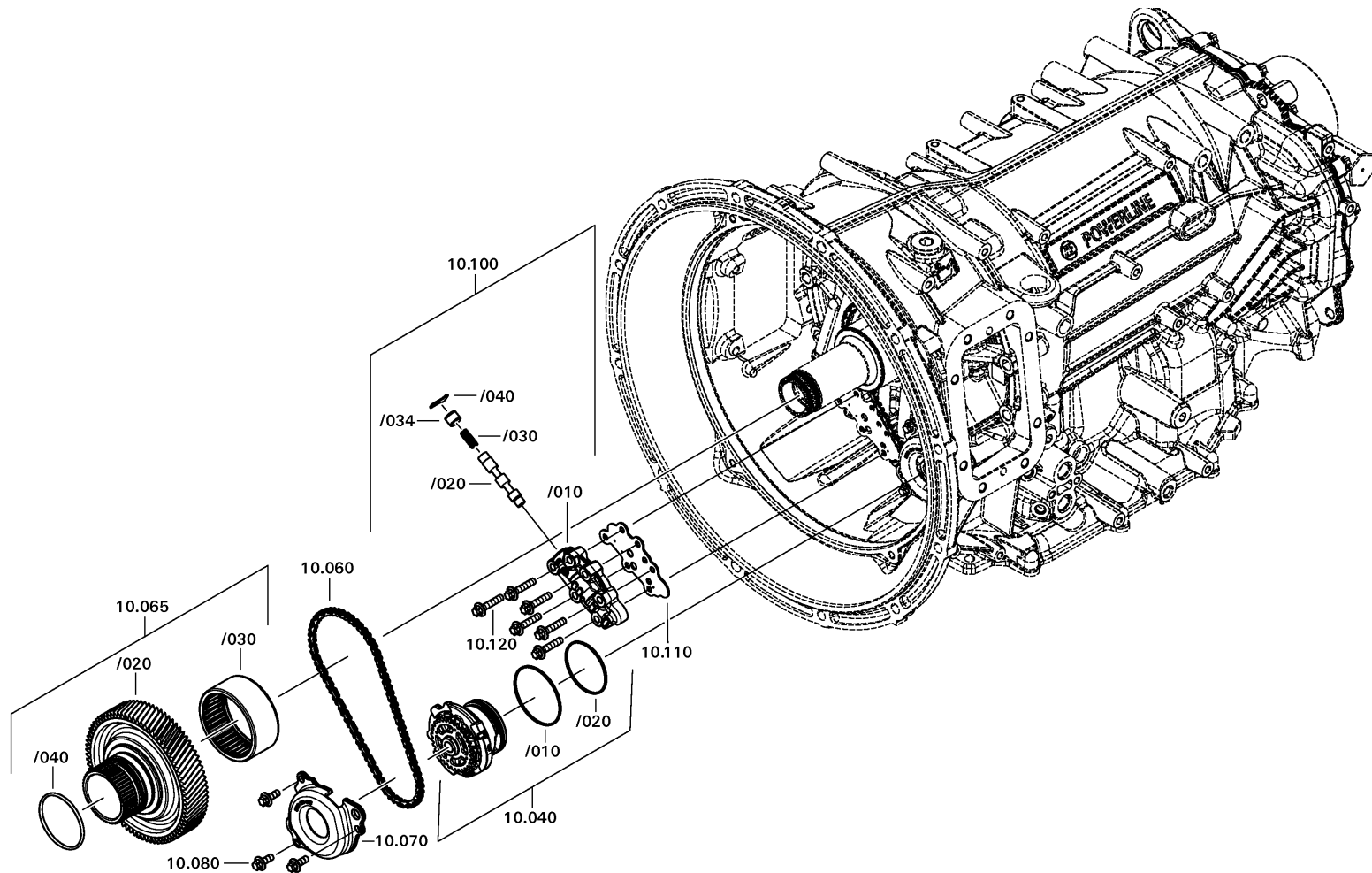
Material number: 4198.020.003

Picture: 227.010.004

Material-assembly-group-no: 1390.110.306



8 AP 900 B / ()
OIL SUPPLY



Picture

Page 5 from 5

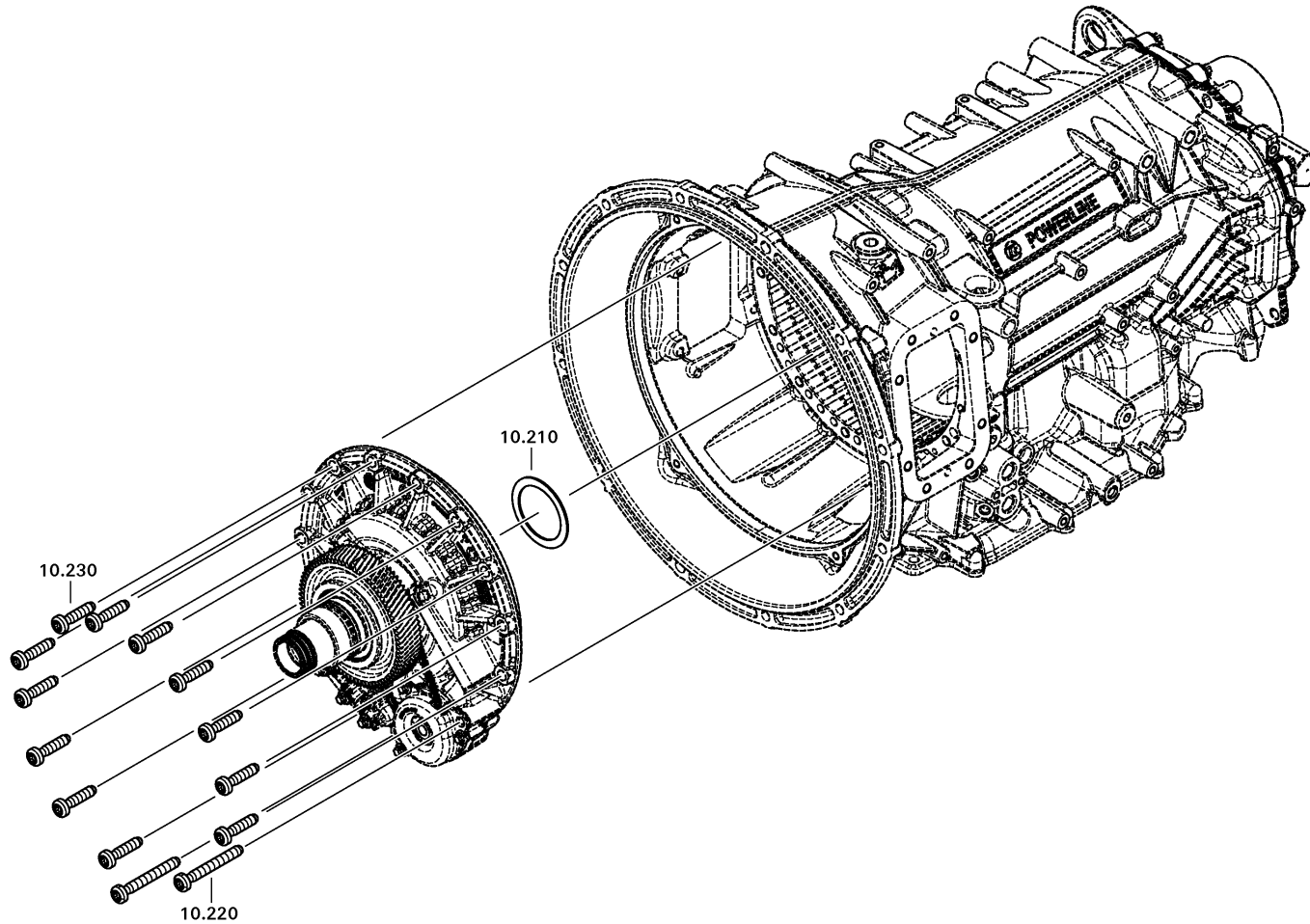
Material number: 4198.020.003

Picture: 227.010.005

Material-assembly-group-no: 1390.110.306



8 AP 900 B / ()
OIL SUPPLY



Picture

Page 1 from 2

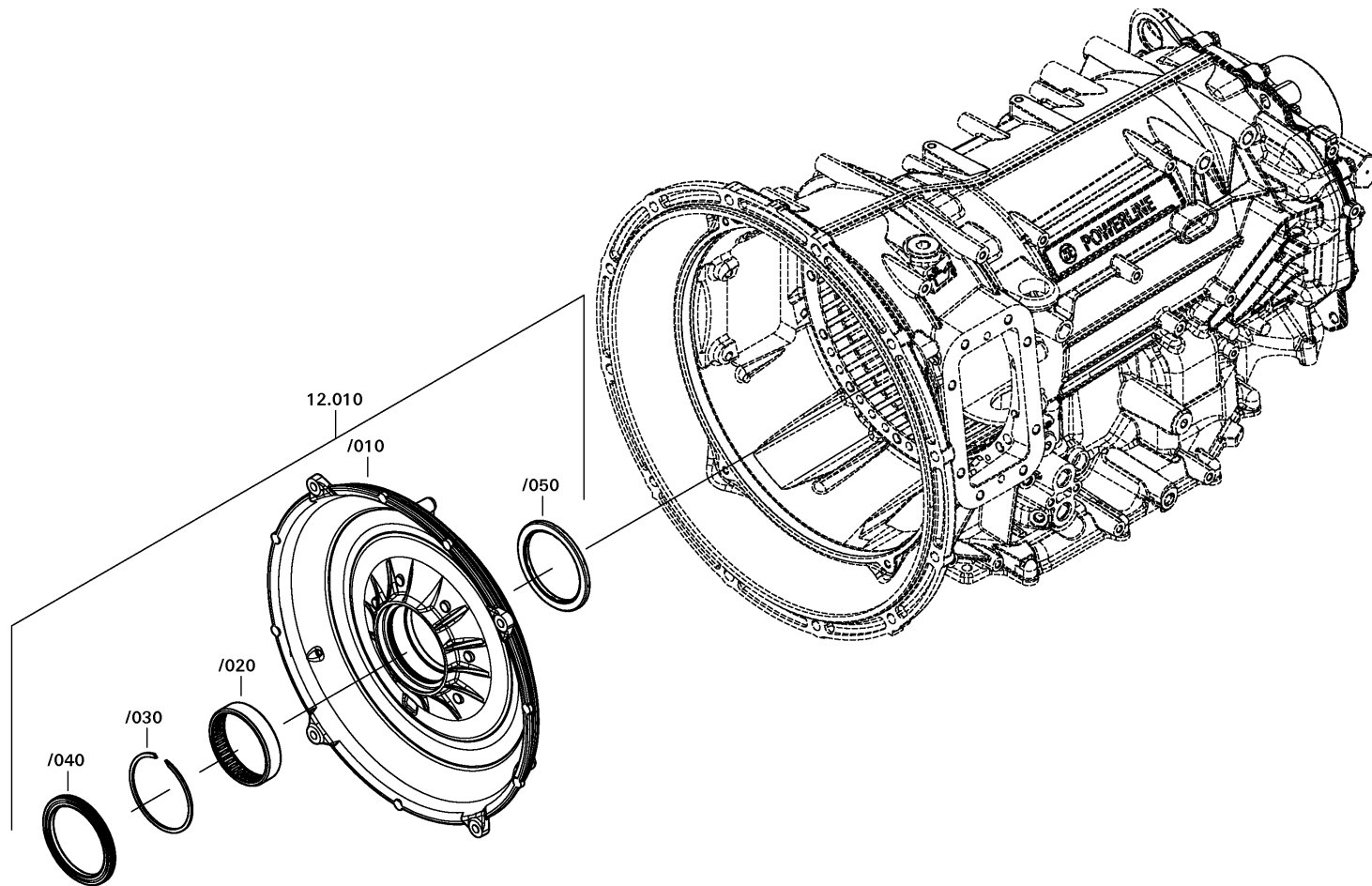
Material number: 4198.020.003

Picture: 227.012.001

Material-assembly-group-no: 1390.112.004



8 AP 900 B / ()
CENTERING PLATE



Picture

Page 2 from 2

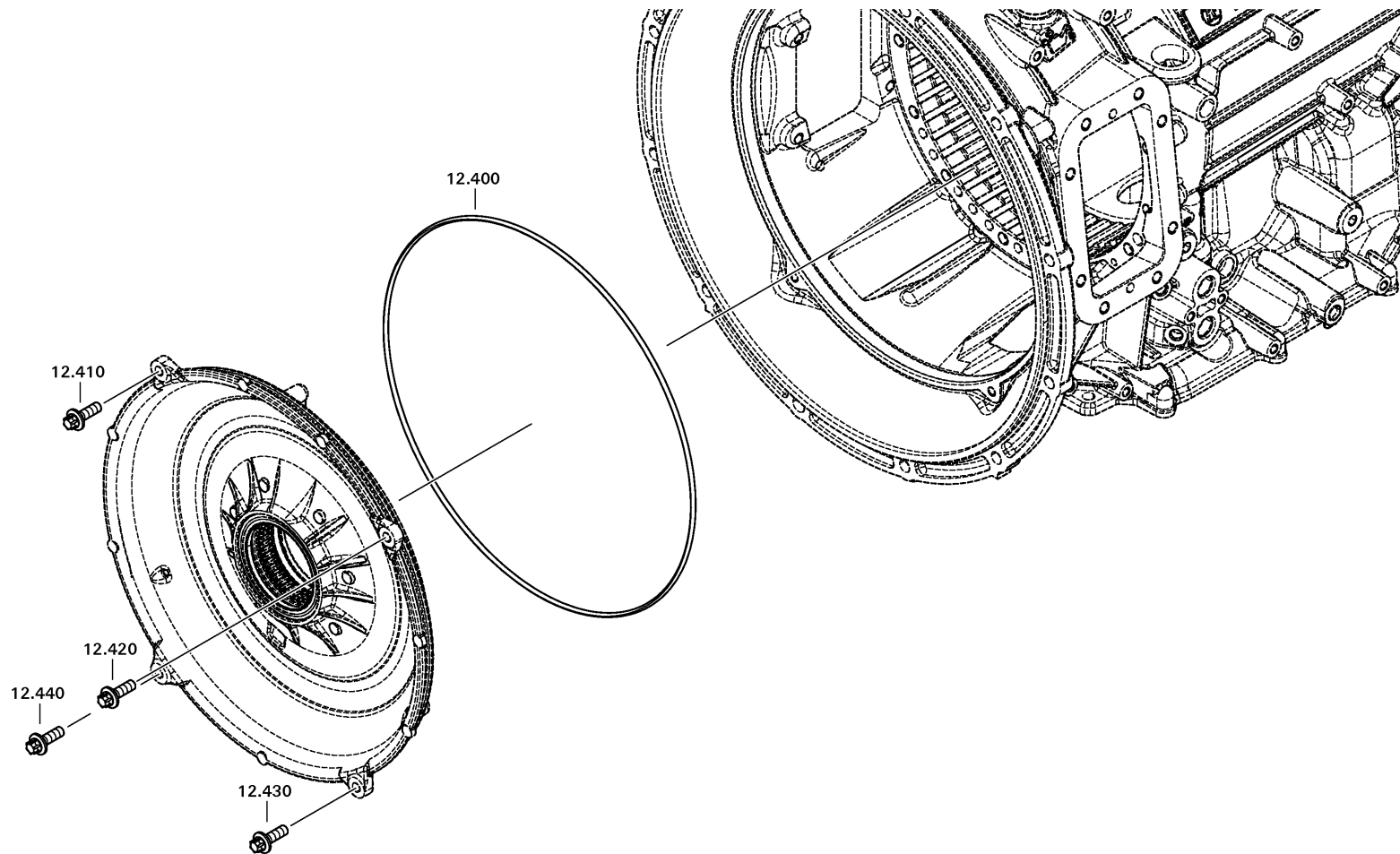
Material number: 4198.020.003

Picture: 227.012.002

Material-assembly-group-no: 1390.112.004



8 AP 900 B / ()
CENTERING PLATE



Picture

Page 1 from 1

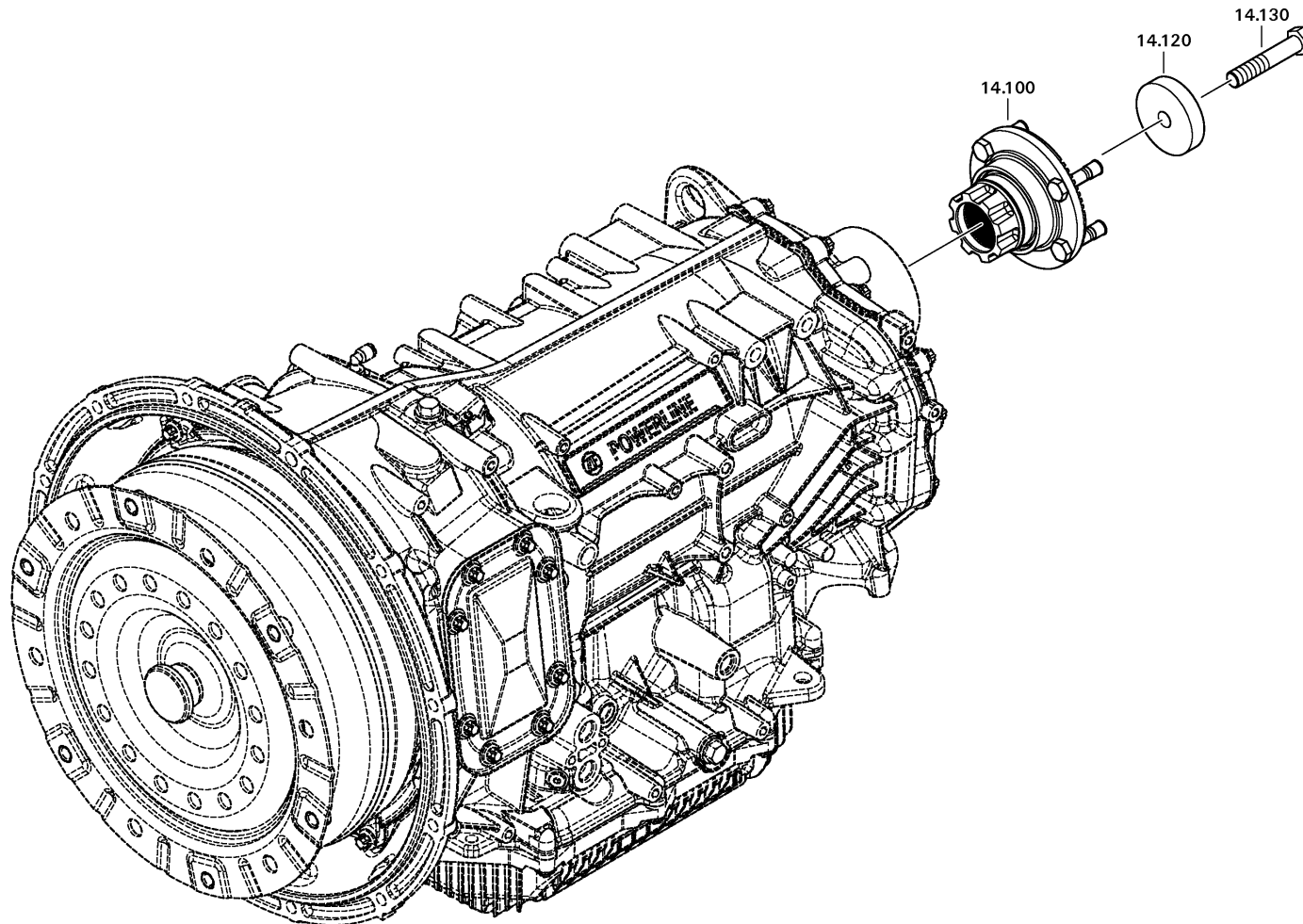
Material number: 4198.020.003

Picture: 227.014.011

Material-assembly-group-no: 1390.114.810



8 AP 900 B / ()
OUTPUT



Picture

Page 1 from 1

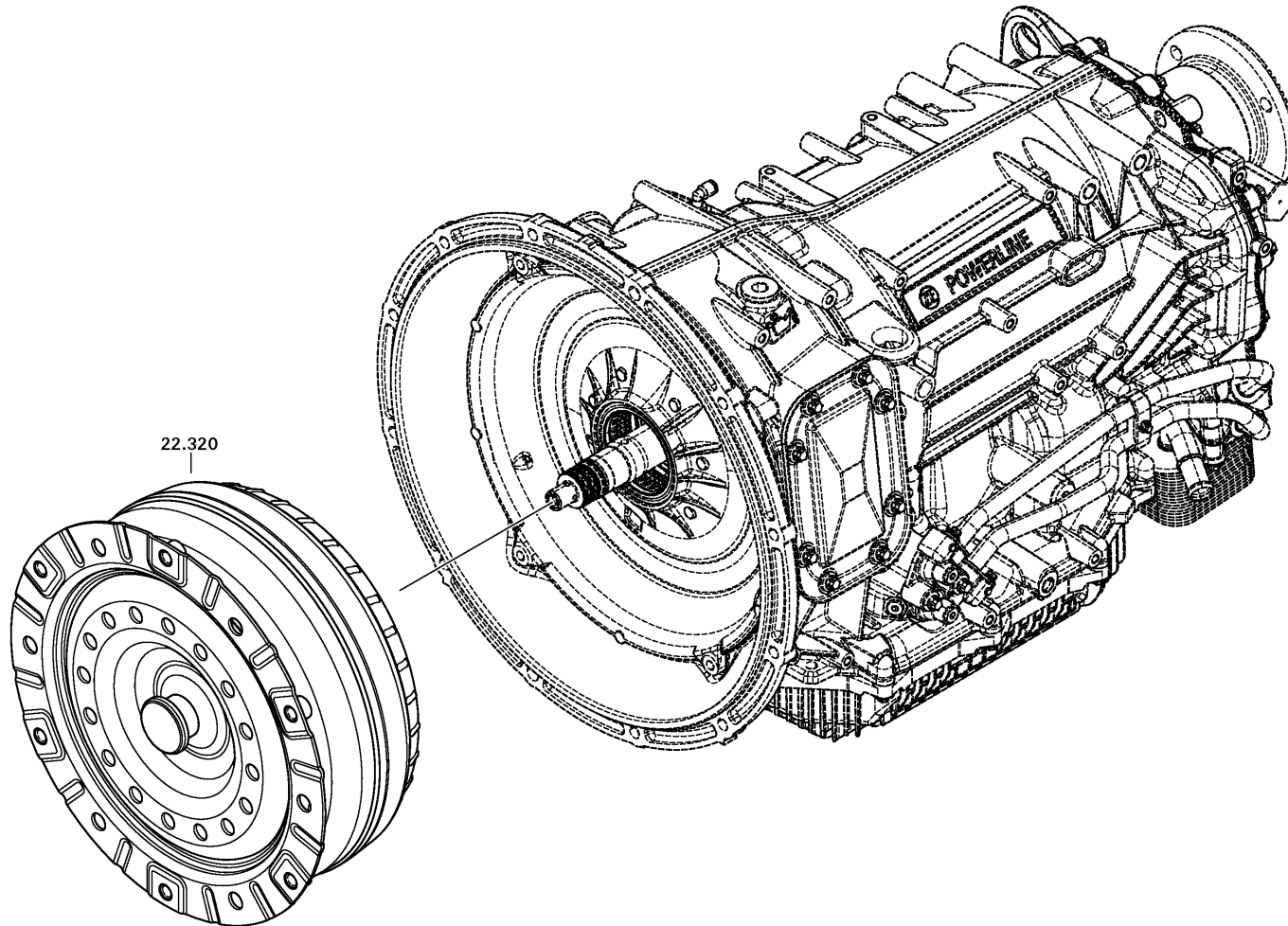
Material number: 4198.020.003

Picture: 227.022.001

Material-assembly-group-no: 0501.226.721



8 AP 900 B / ()
CONVERTER



Picture

Page 1 from 1

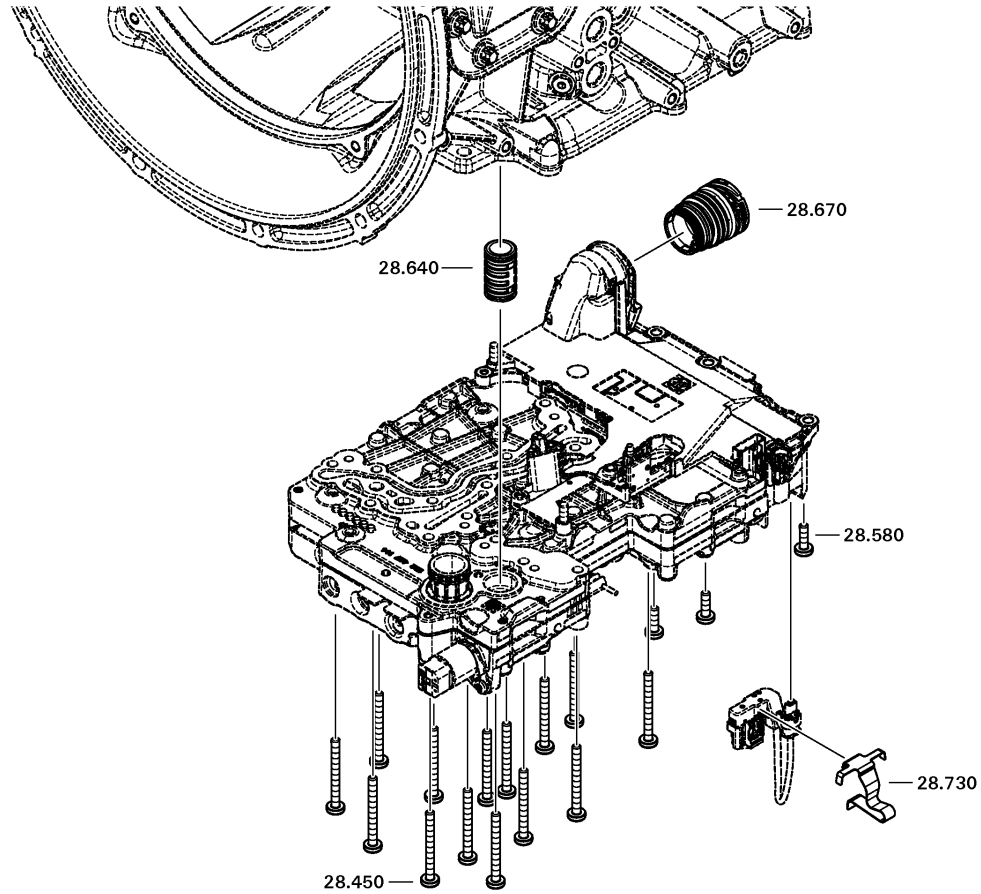
Material number: 4198.020.003

Picture: 227.028.003

Material-assembly-group-no: 1390.128.806



8 AP 900 B / ()
MECHATRONIC



Picture

Page 1 from 1

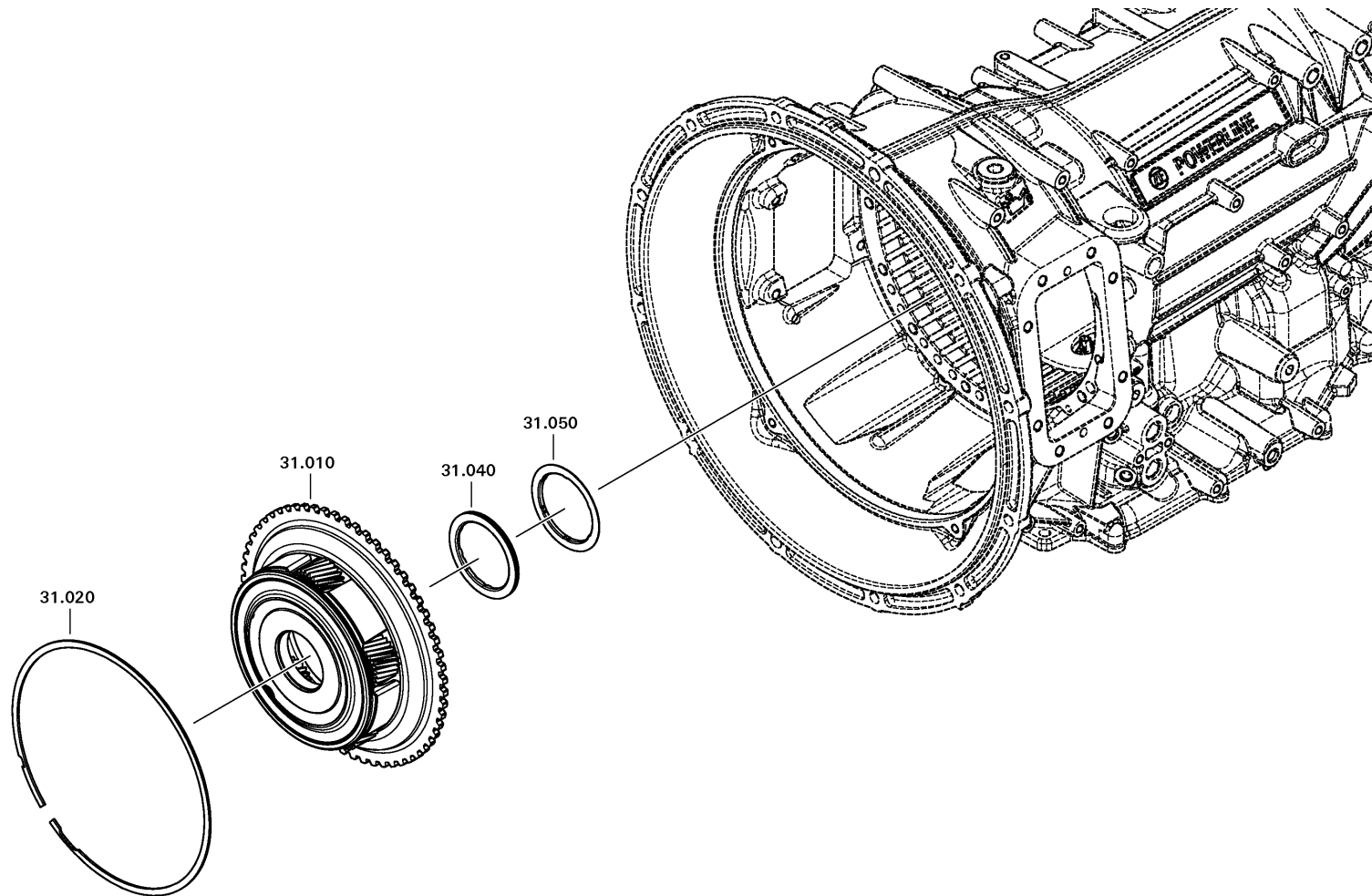
Material number: 4198.020.003

Picture: 227.031.001

Material-assembly-group-no: 1390.131.802



8 AP 900 B / ()
PLANETARY DRIVE I



Picture

Page 1 from 1

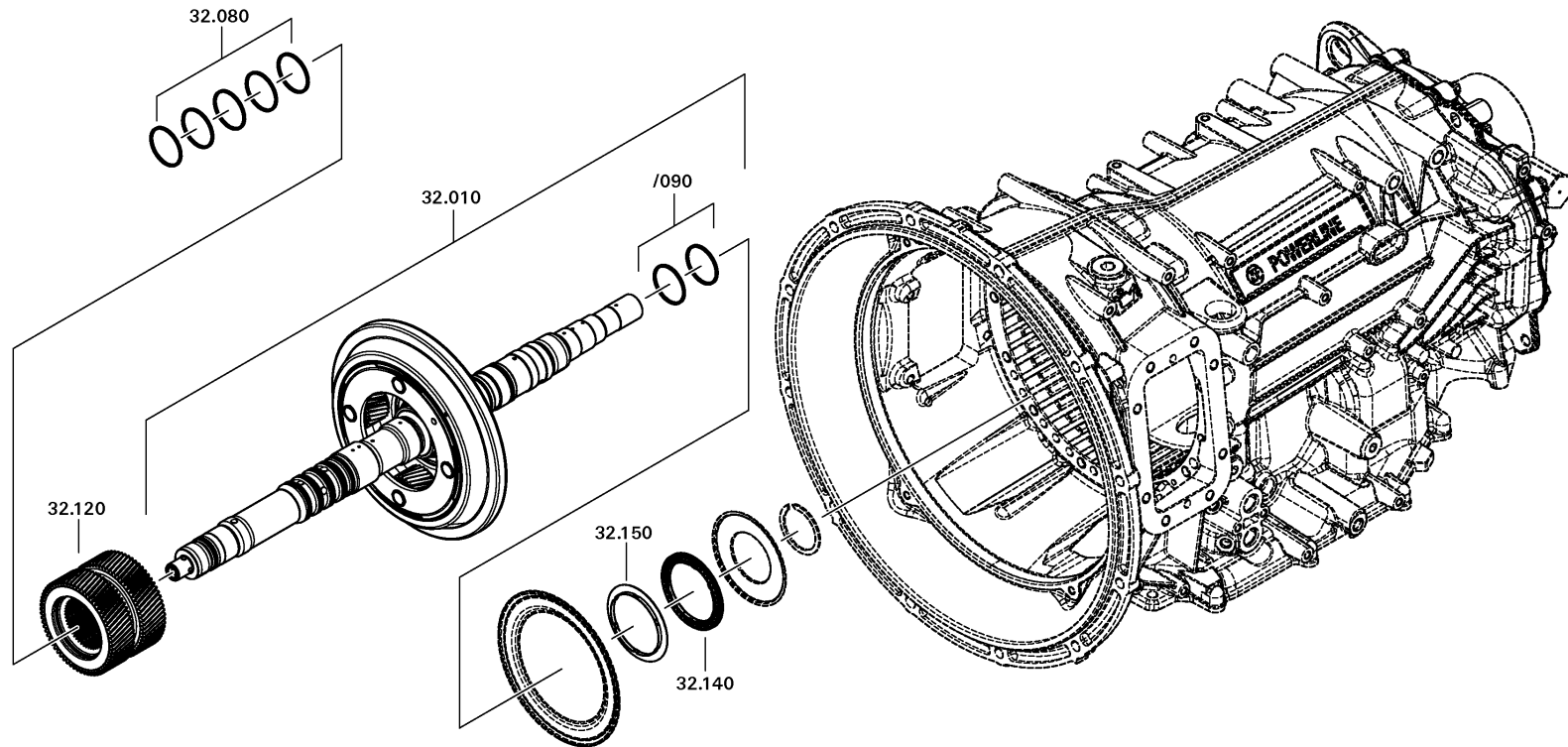
Material number: 4198.020.003

Picture: 227.032.001

Material-assembly-group-no: 1390.132.804



8 AP 900 B / ()
PLANETARY DRIVE II



Picture

Page 1 from 1

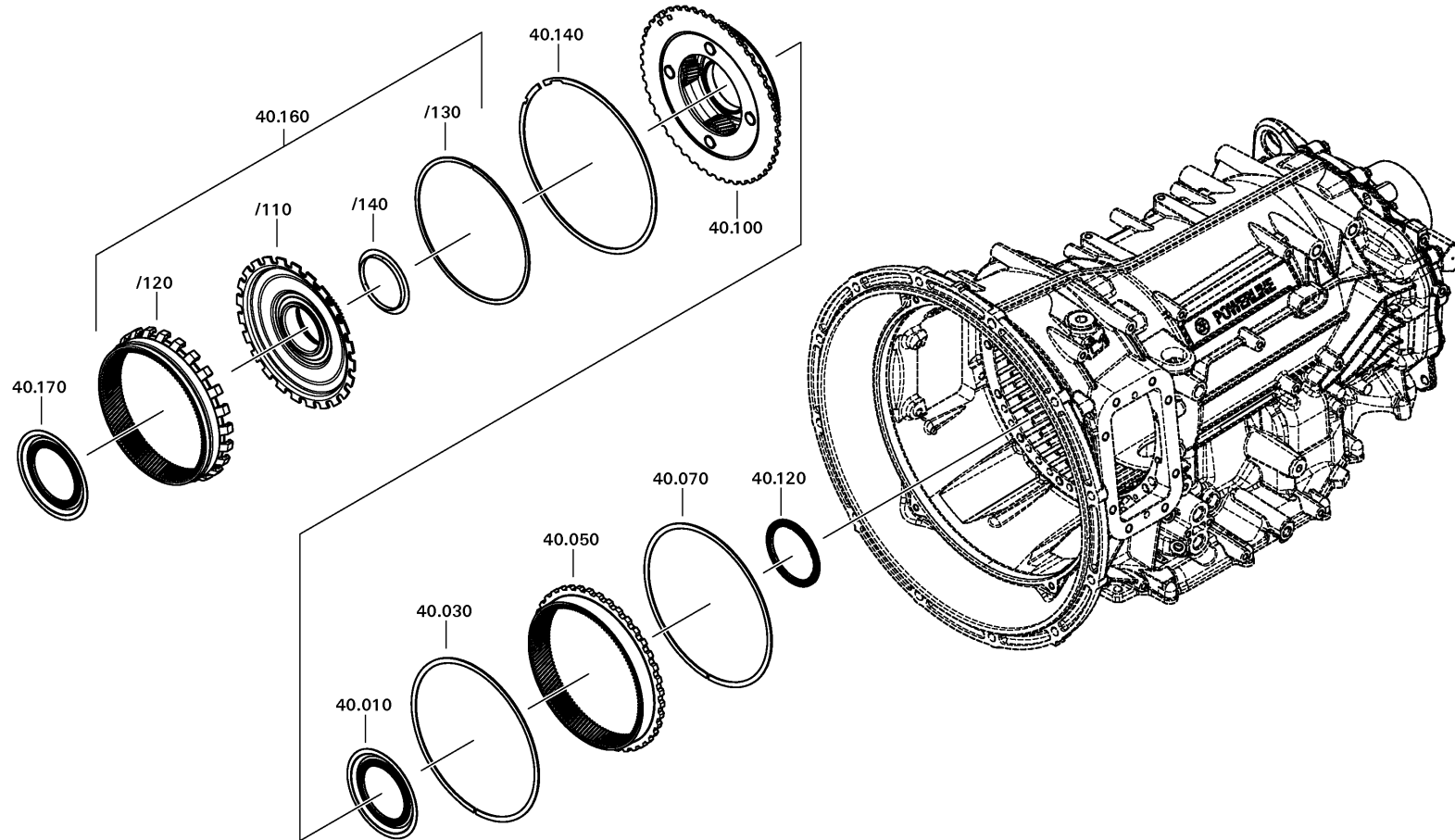
Material number: 4198.020.003

Picture: 227.040.001

Material-assembly-group-no: 1390.140.803



8 AP 900 B / ()
PLANETARY DRIVE III



Picture

Page 1 from 2

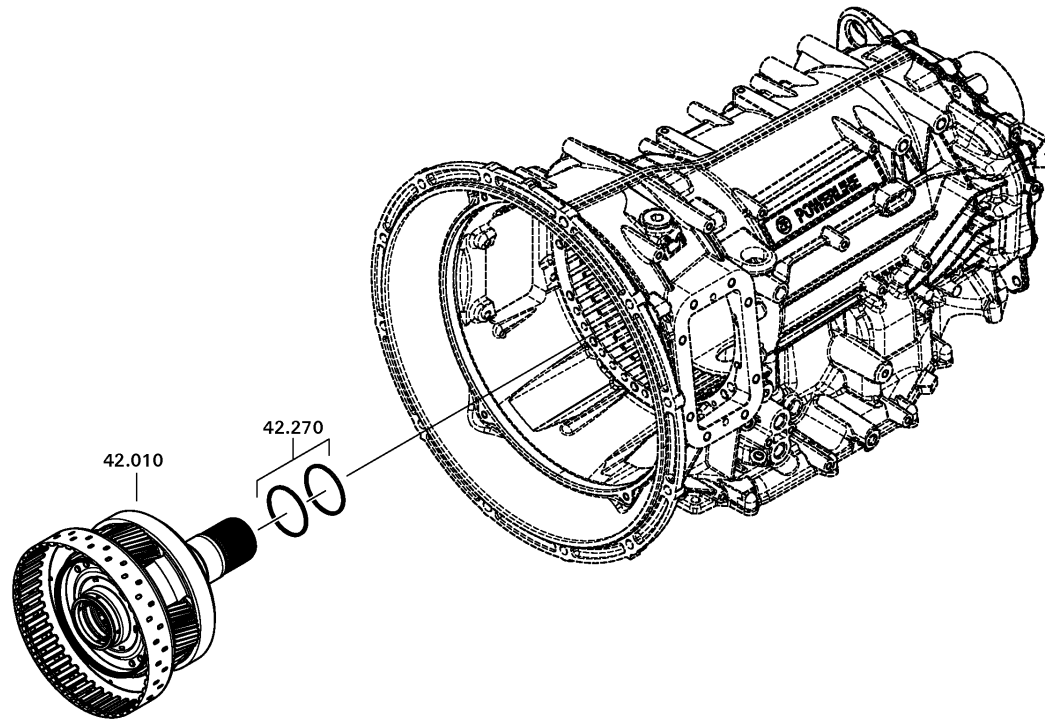
Material number: 4198.020.003

Picture: 227.042.003

Material-assembly-group-no: 1390.142.006



8 AP 900 B / ()
PLANETARY DRIVE IV



Picture

Page 2 from 2

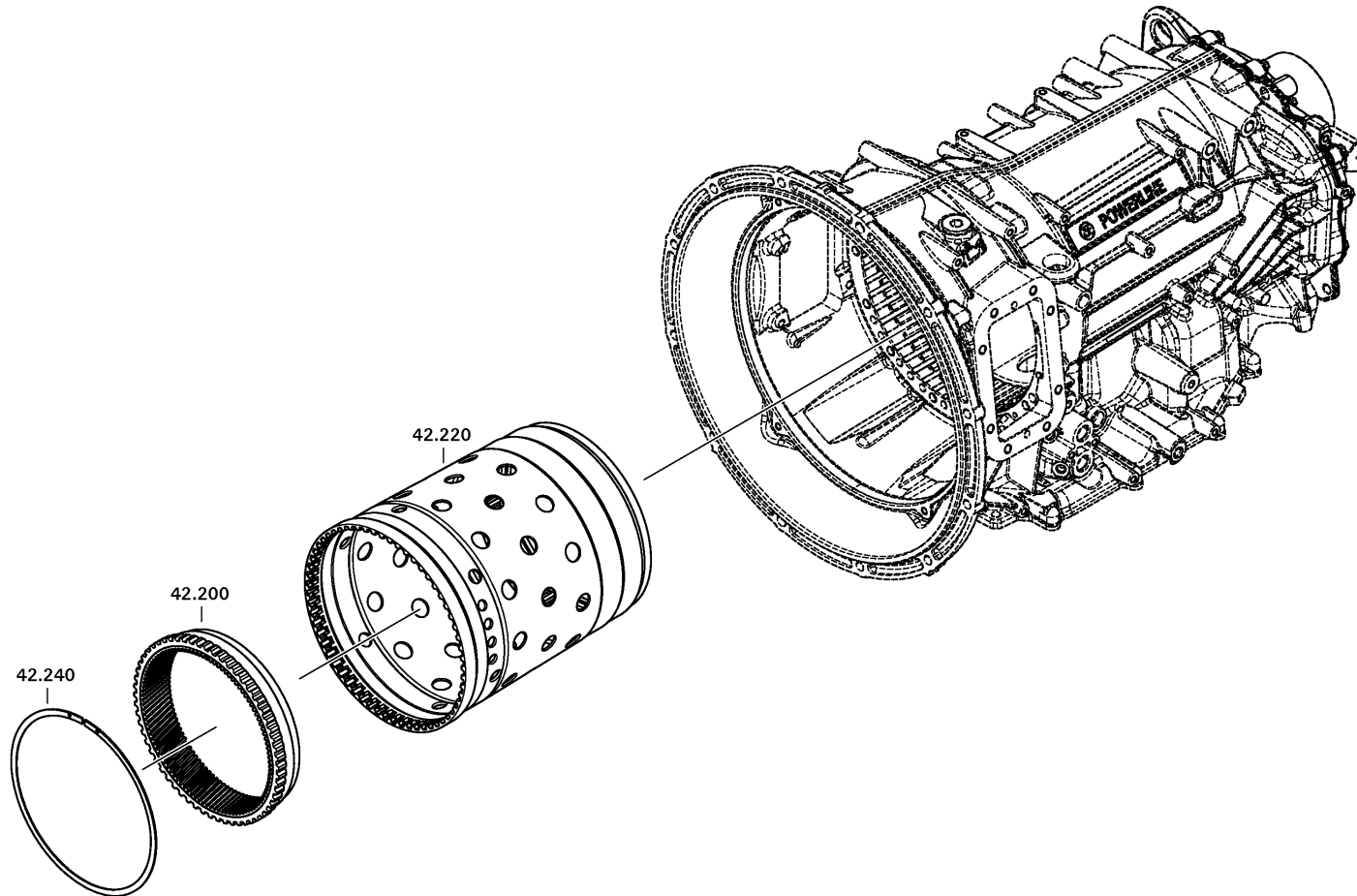
Material number: 4198.020.003

Picture: 227.042.002

Material-assembly-group-no: 1390.142.006



8 AP 900 B / ()
PLANETARY DRIVE IV



Picture

Page 1 from 1

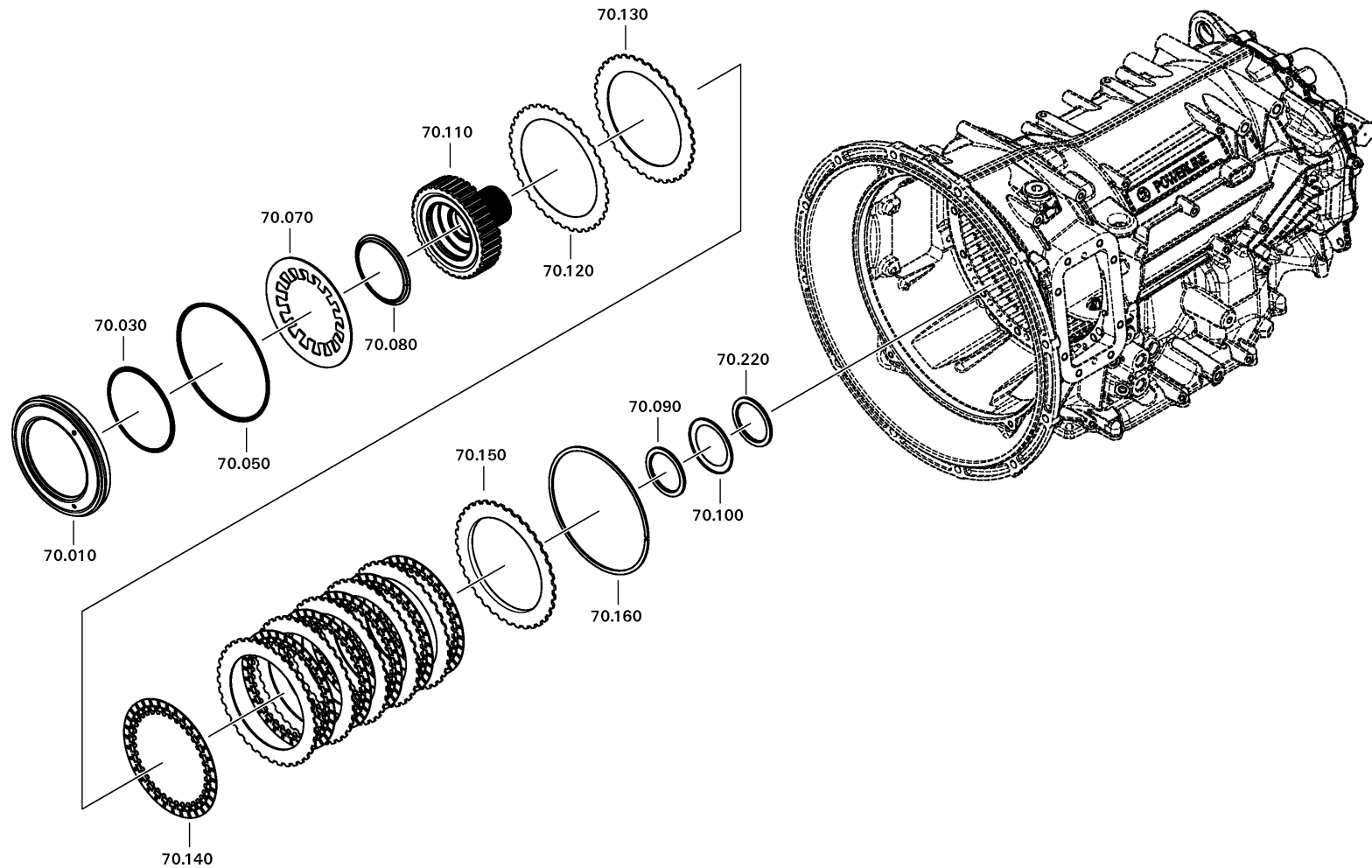
Material number: 4198.020.003

Picture: 227.070.001

Material-assembly-group-no: 1390.170.803



8 AP 900 B / ()
BRAKE A



Picture

Page 1 from 1

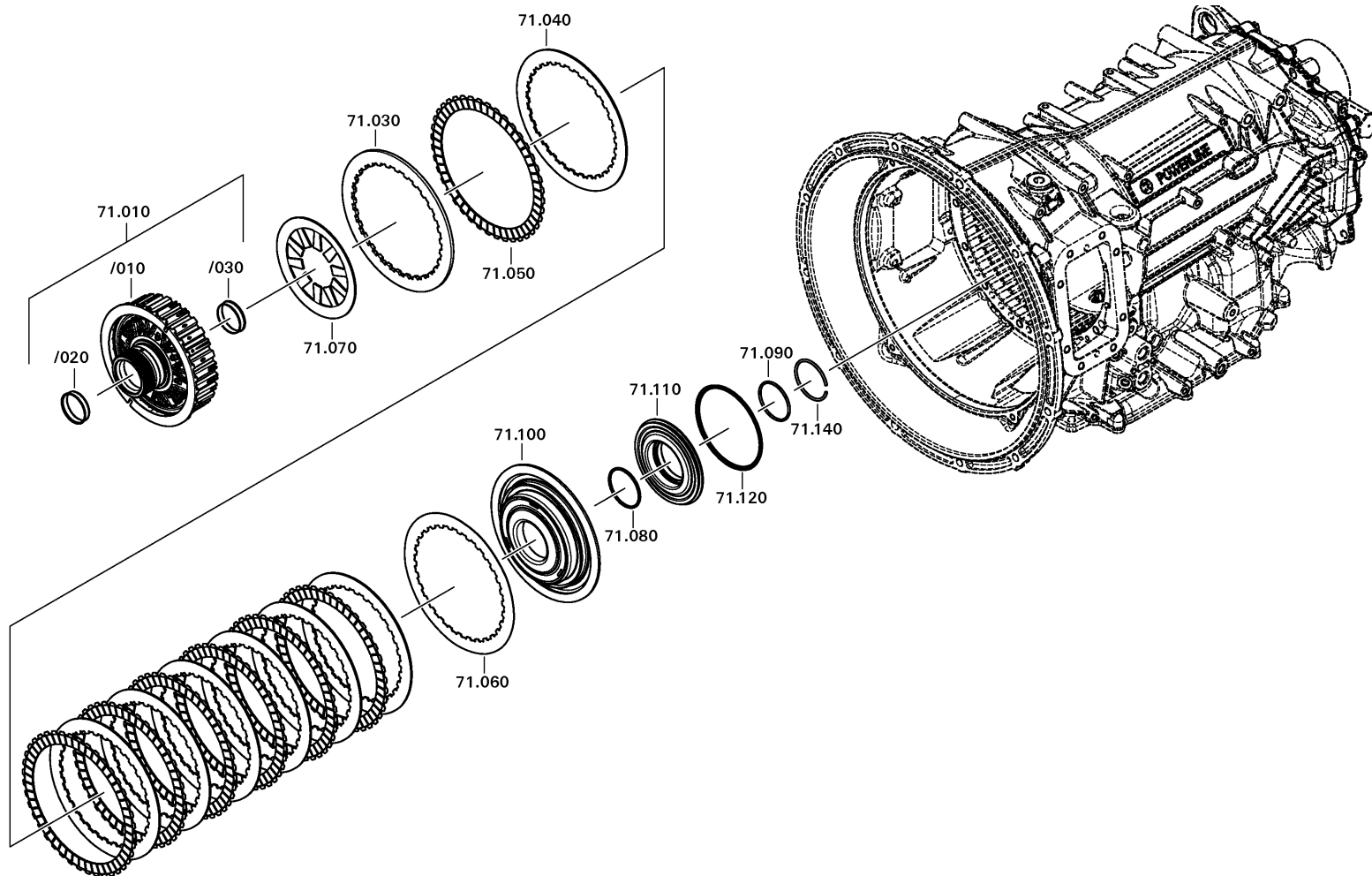
Material number: 4198.020.003

Picture: 227.071.001

Material-assembly-group-no: 1390.171.005



8 AP 900 B / ()
COUPLING E



Picture

Page 1 from 2

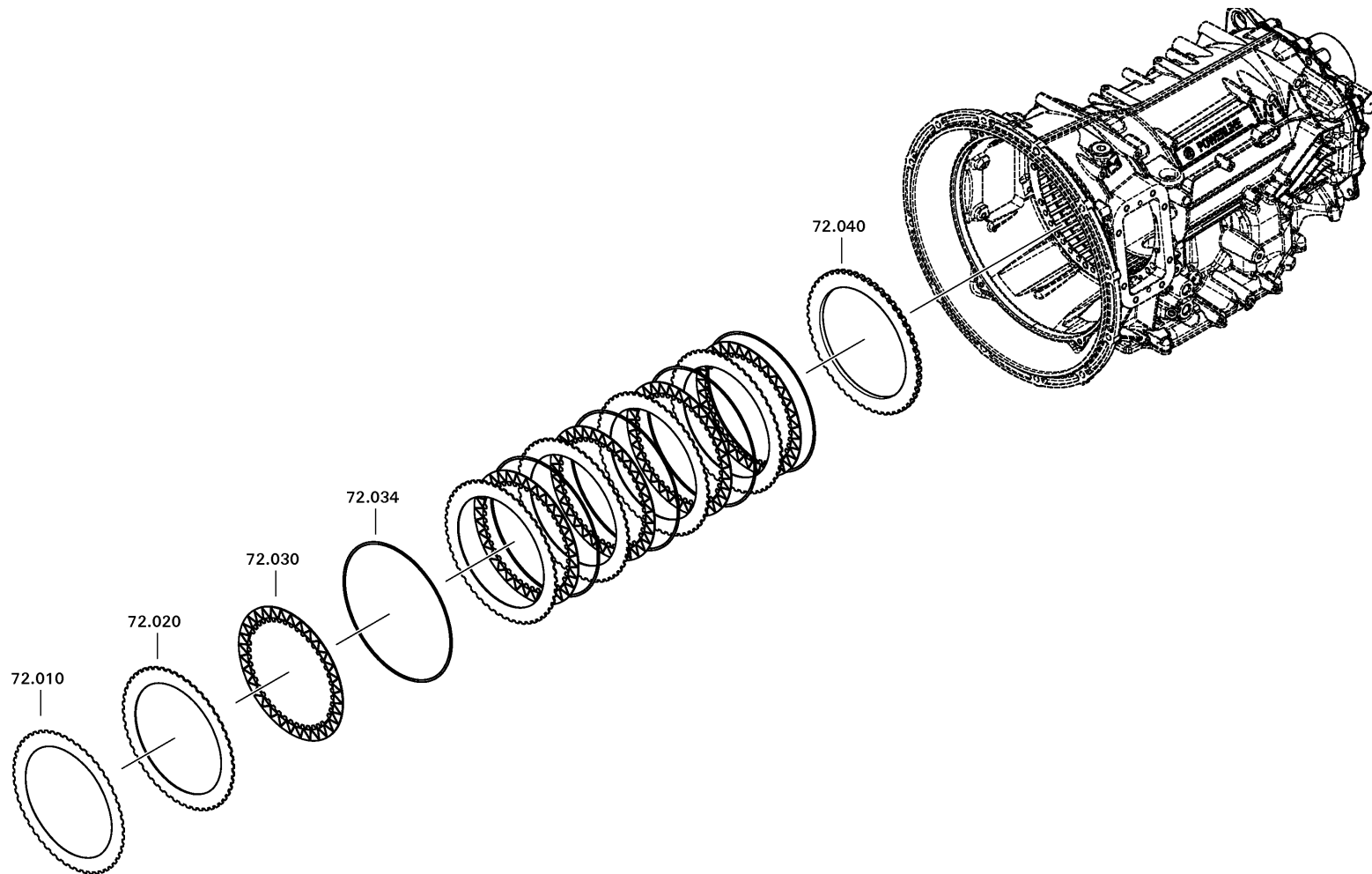
Material number: 4198.020.003

Picture: 227.072.001

Material-assembly-group-no: 1390.172.805



8 AP 900 B / ()
BRAKE B



Picture

Page 2 from 2

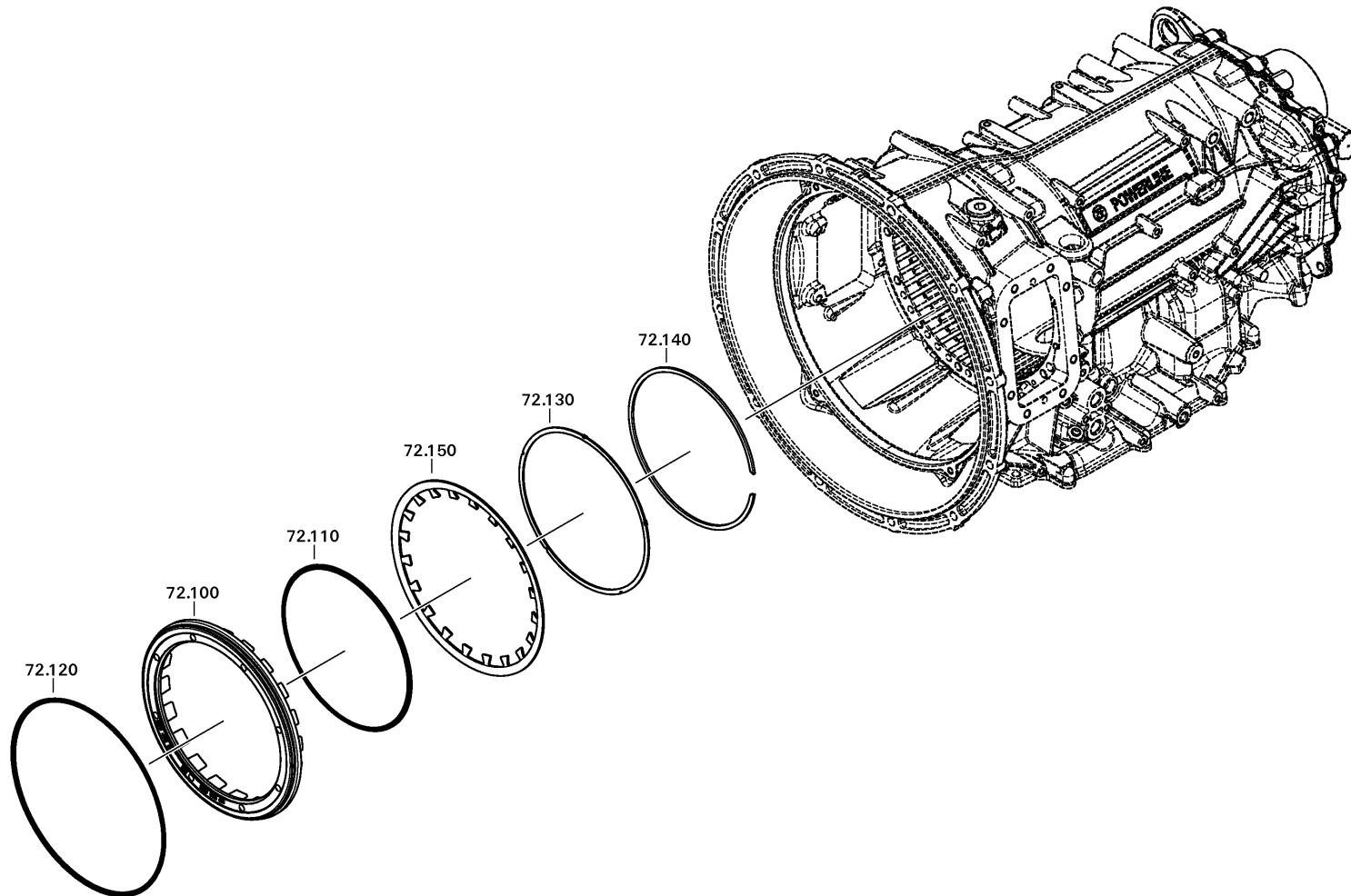
Material number: 4198.020.003

Picture: 227.072.002

Material-assembly-group-no: 1390.172.805



8 AP 900 B / ()
BRAKE B



Picture

Page 1 from 2

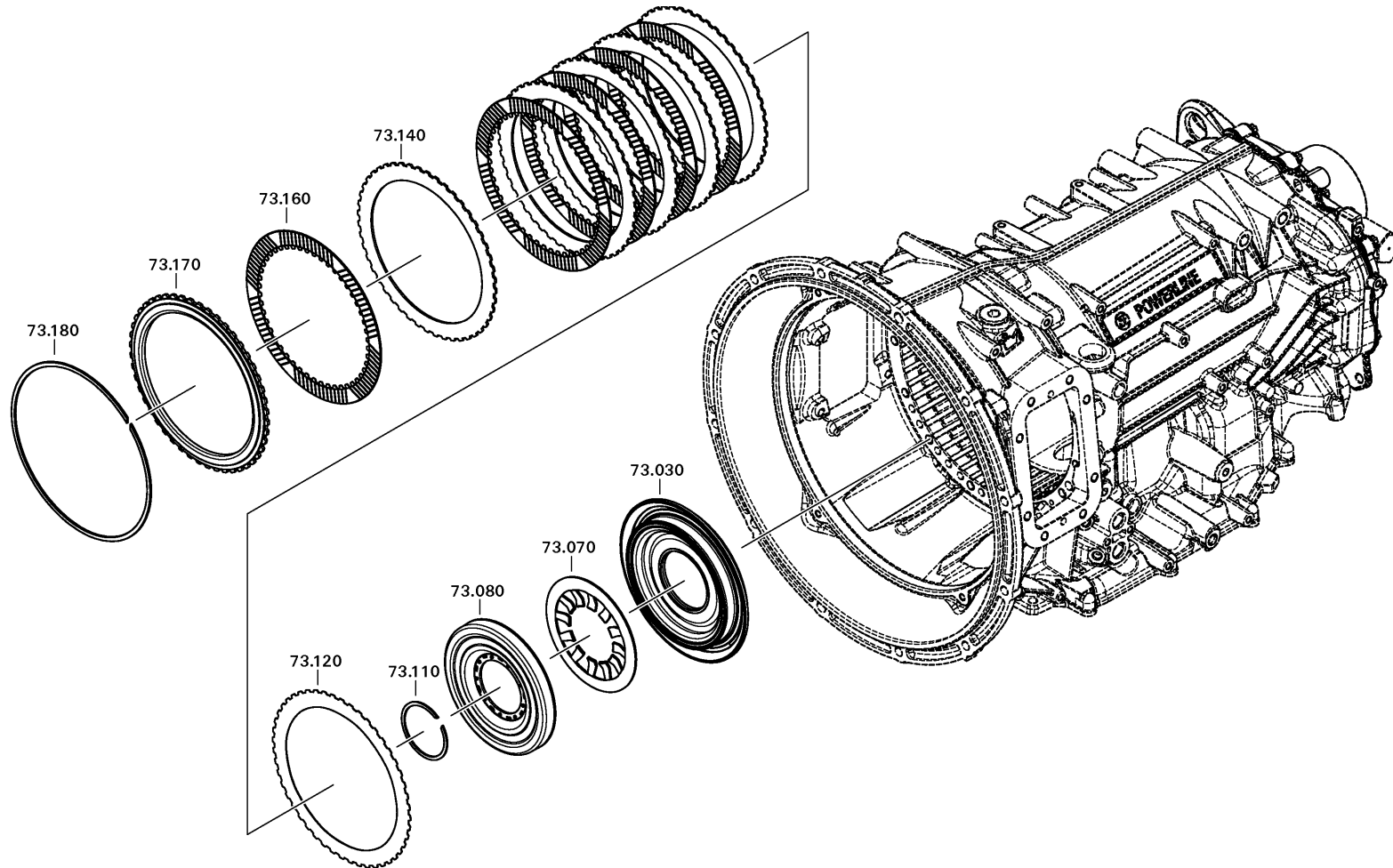
Material number: 4198.020.003

Picture: 227.073.001

Material-assembly-group-no: 1390.173.804



8 AP 900 B / ()
COUPLING D



Picture

Page 2 from 2

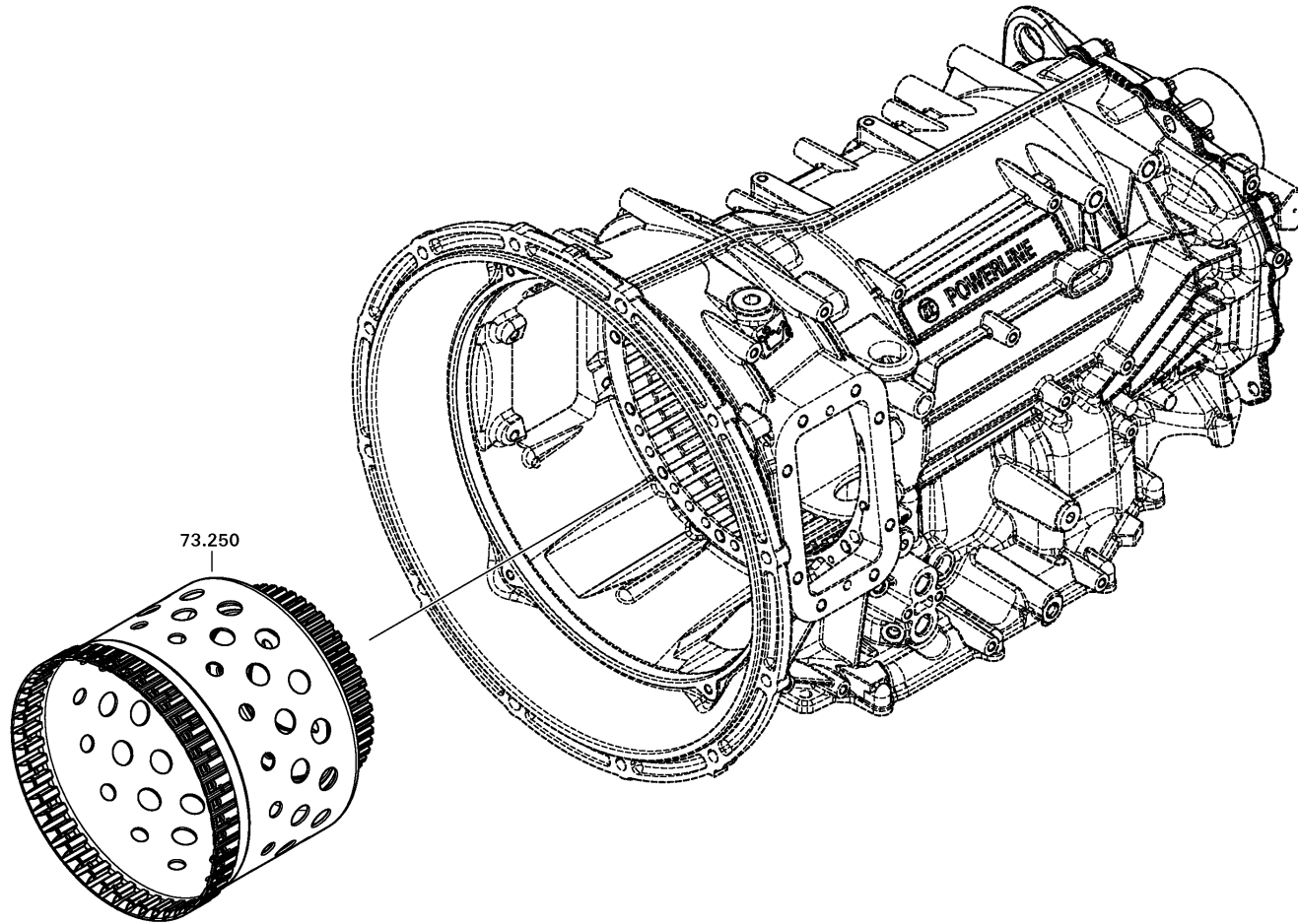
Material number: 4198.020.003

Picture: 227.073.002

Material-assembly-group-no: 1390.173.804



8 AP 900 B / ()
COUPLING D



Picture

Page 1 from 2

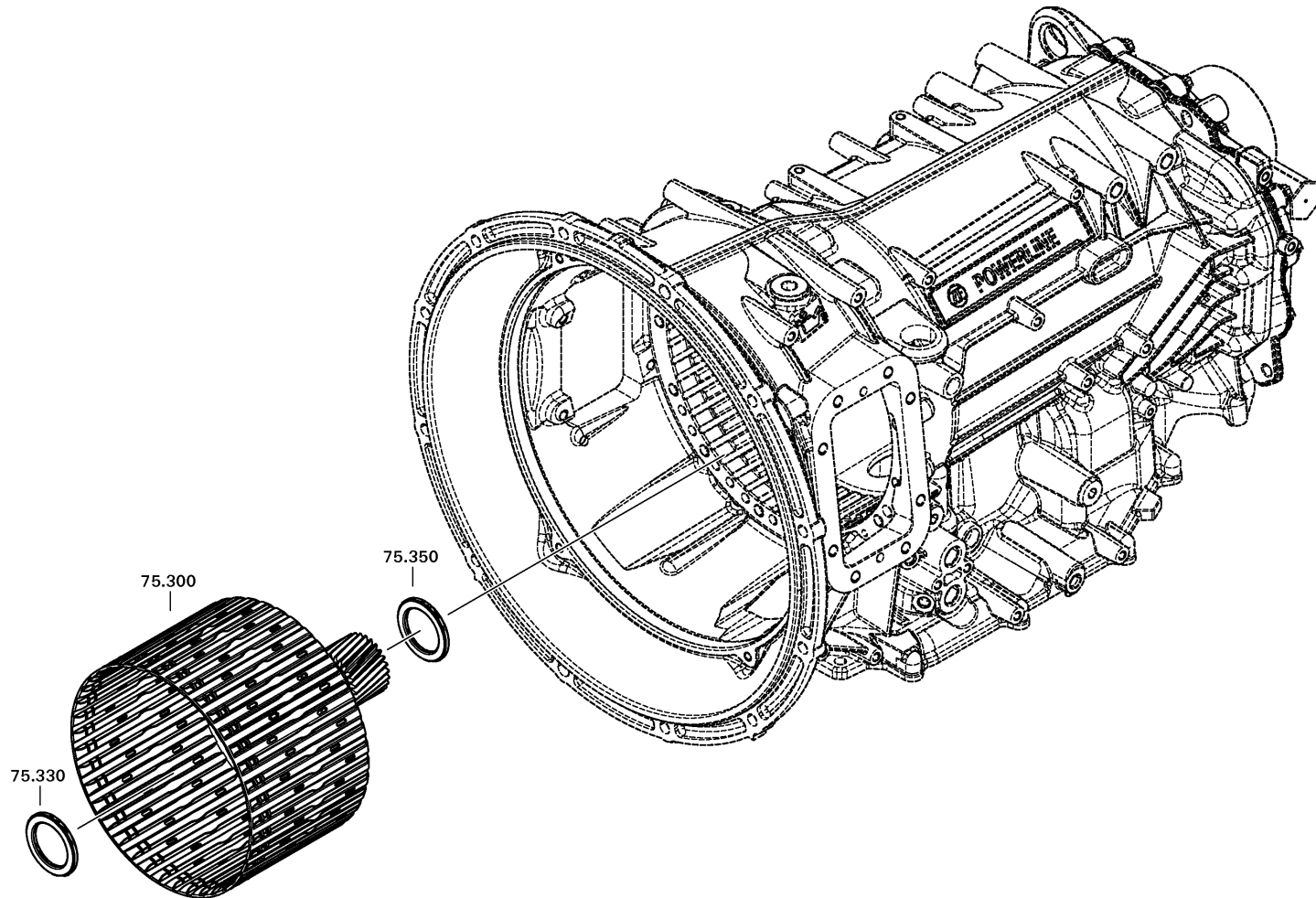
Material number: 4198.020.003

Picture: 227.075.001

Material-assembly-group-no: 1390.175.803



8 AP 900 B / ()
COUPLING C



Picture

Page 2 from 2

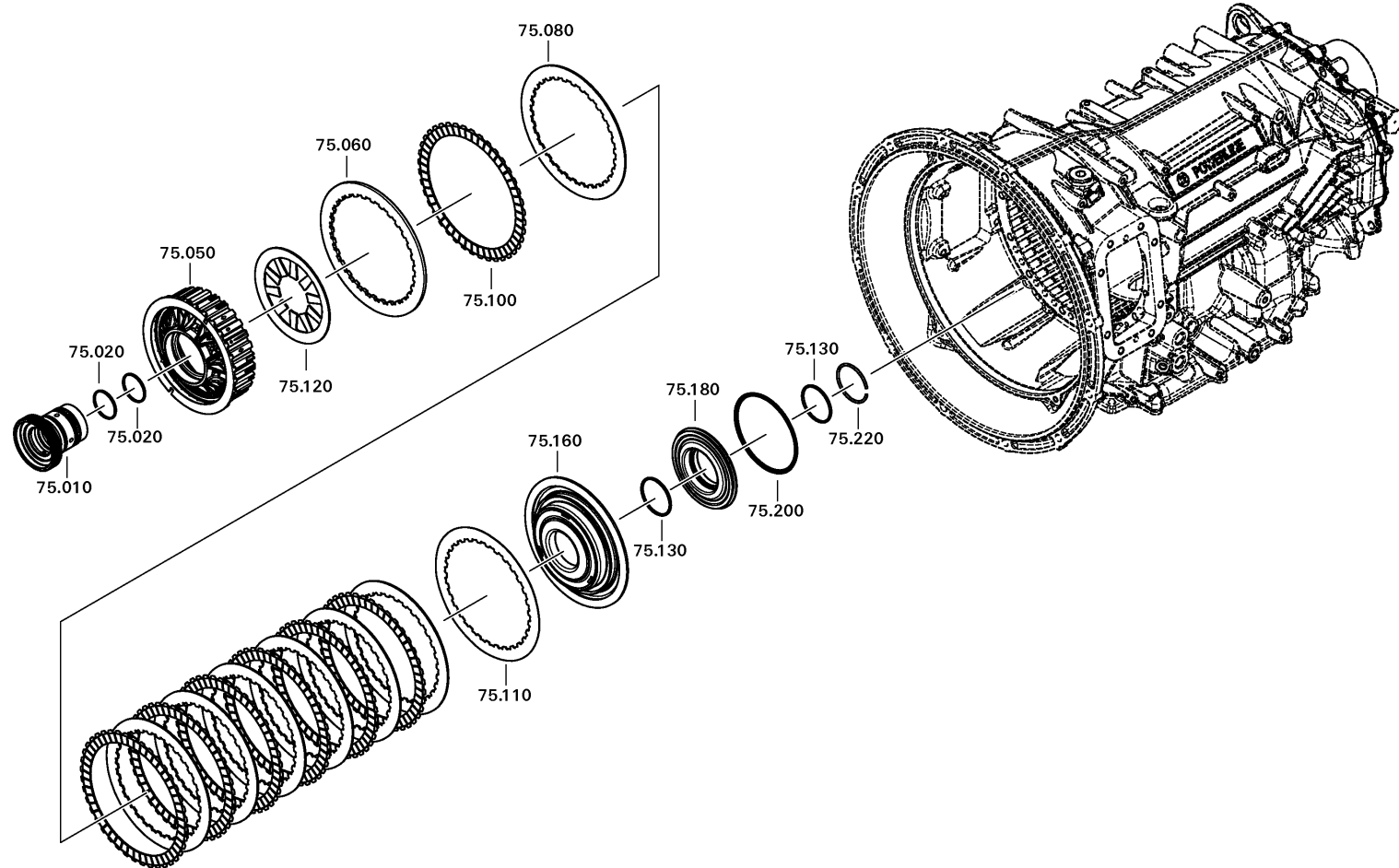
Material number: 4198.020.003

Picture: 227.075.002

Material-assembly-group-no: 1390.175.803



8 AP 900 B / ()
COUPLING C



Picture

Page 1 from 2

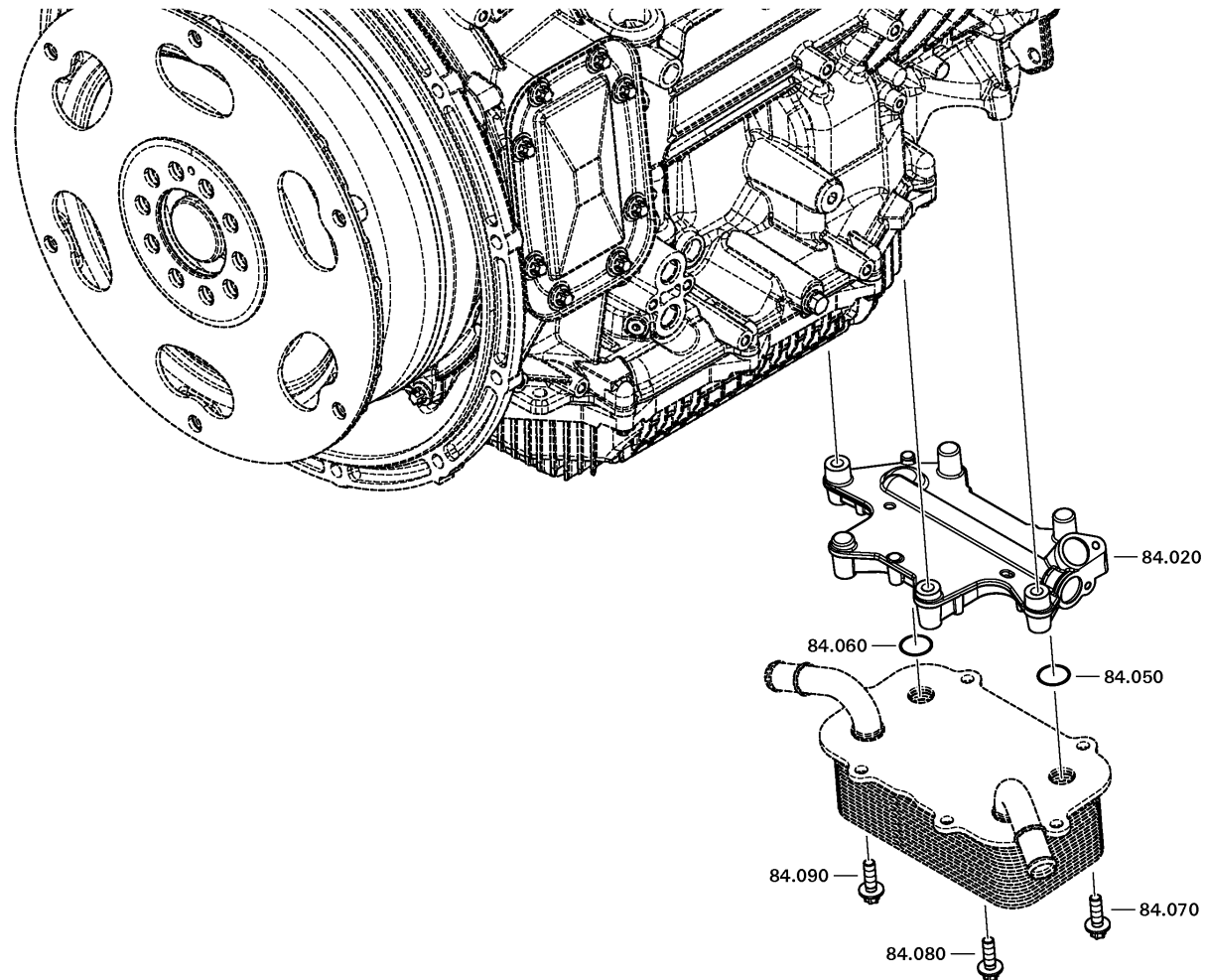
Material number: 4198.020.003

Picture: 227.090.005

Material-assembly-group-no: 1390.184.005



8 AP 900 B / ()
HEAT EXCHANGER



Picture

Page 2 from 2

Material number: 4198.020.003

Picture: 227.090.003

Material-assembly-group-no: 1390.184.005



8 AP 900 B / ()
HEAT EXCHANGER

