



Spare Parts Catalog

12 TX 2211 TD

()

Material number: 1372.040.039

Current date: 24.03.2026

ZF Friedrichshafen AG
Hauptverwaltung
80038 Friedrichshafen
Deutschland

Telefon: +49 7541 77-0

Telefax: +49 7541 77-908000

www.zf.com

zuständiges Werk:
Friedrichshafen

Picture

Page 1 from 1

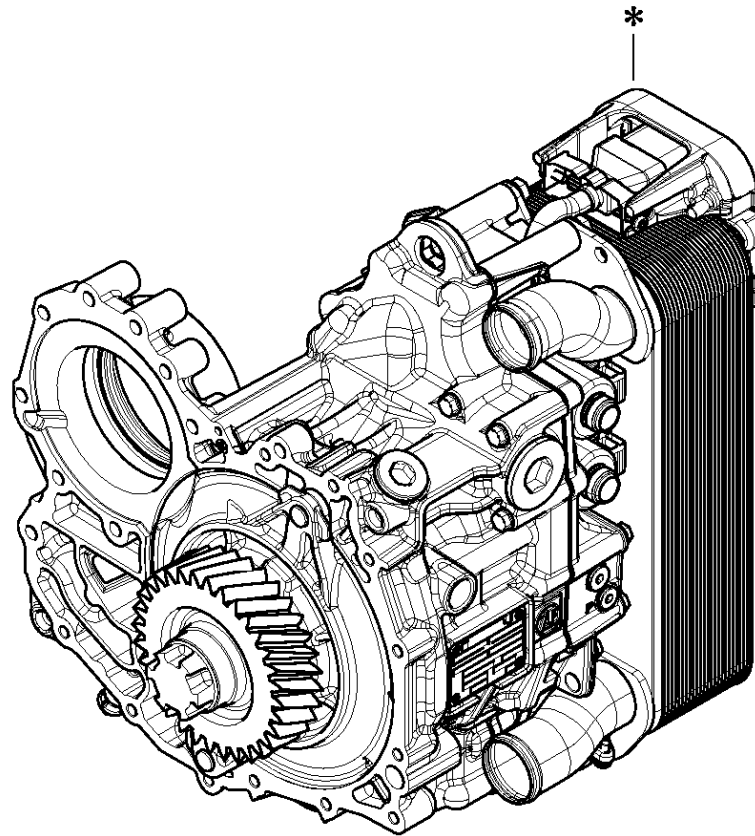
Material number: 1372.040.039

Picture: 155.A1.03-1

Material-assembly-group-no: 6093.060.097



12 TX 2211 TD / ()
IT 3 AMT T



Picture

Page 1 from 3

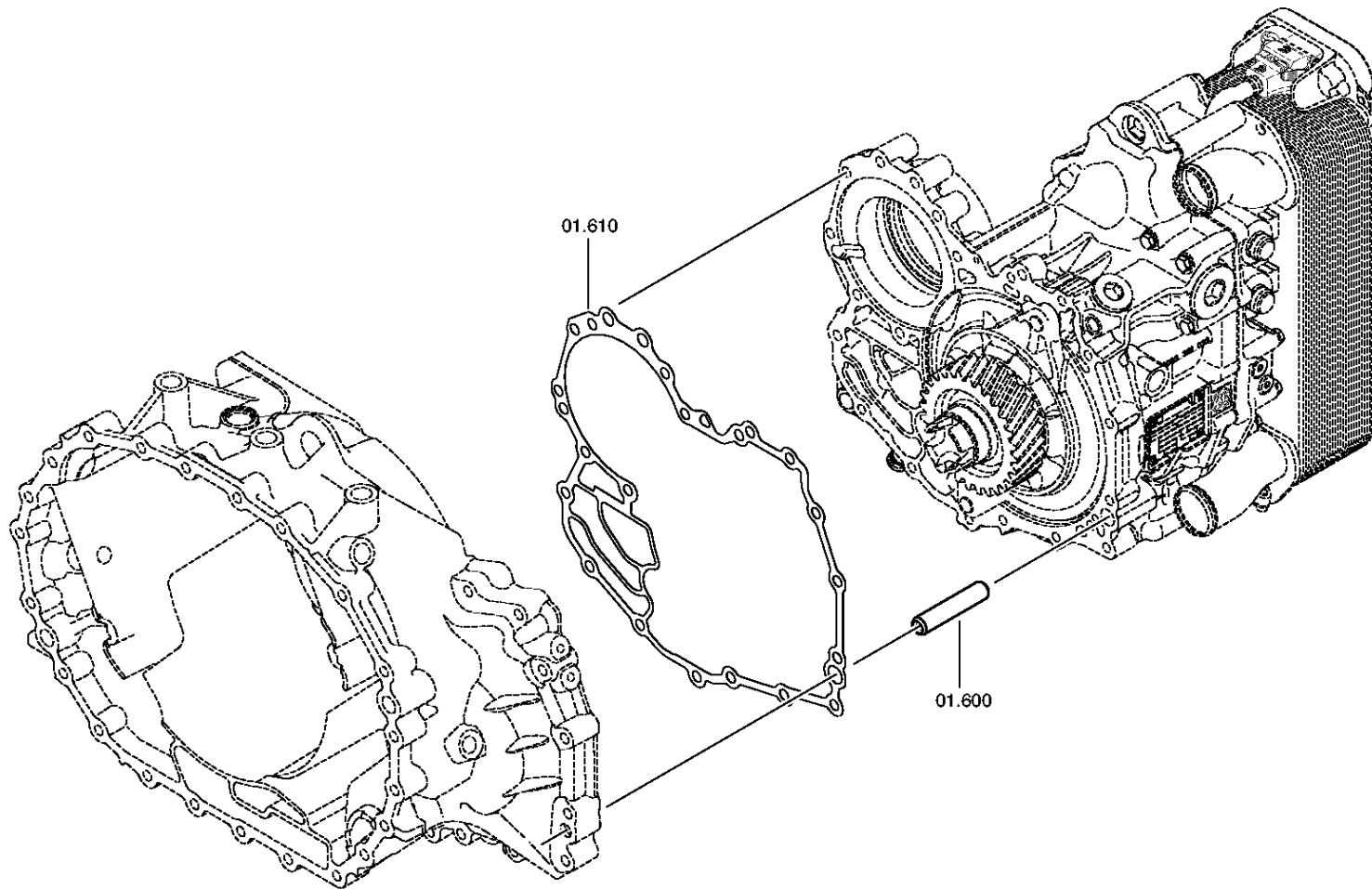
Material number: 1372.040.039

Picture: 155.E1.02-1

Material-assembly-group-no: 6093.101.807



12 TX 2211 TD / ()
ANCHORAGE



Picture

Page 2 from 3

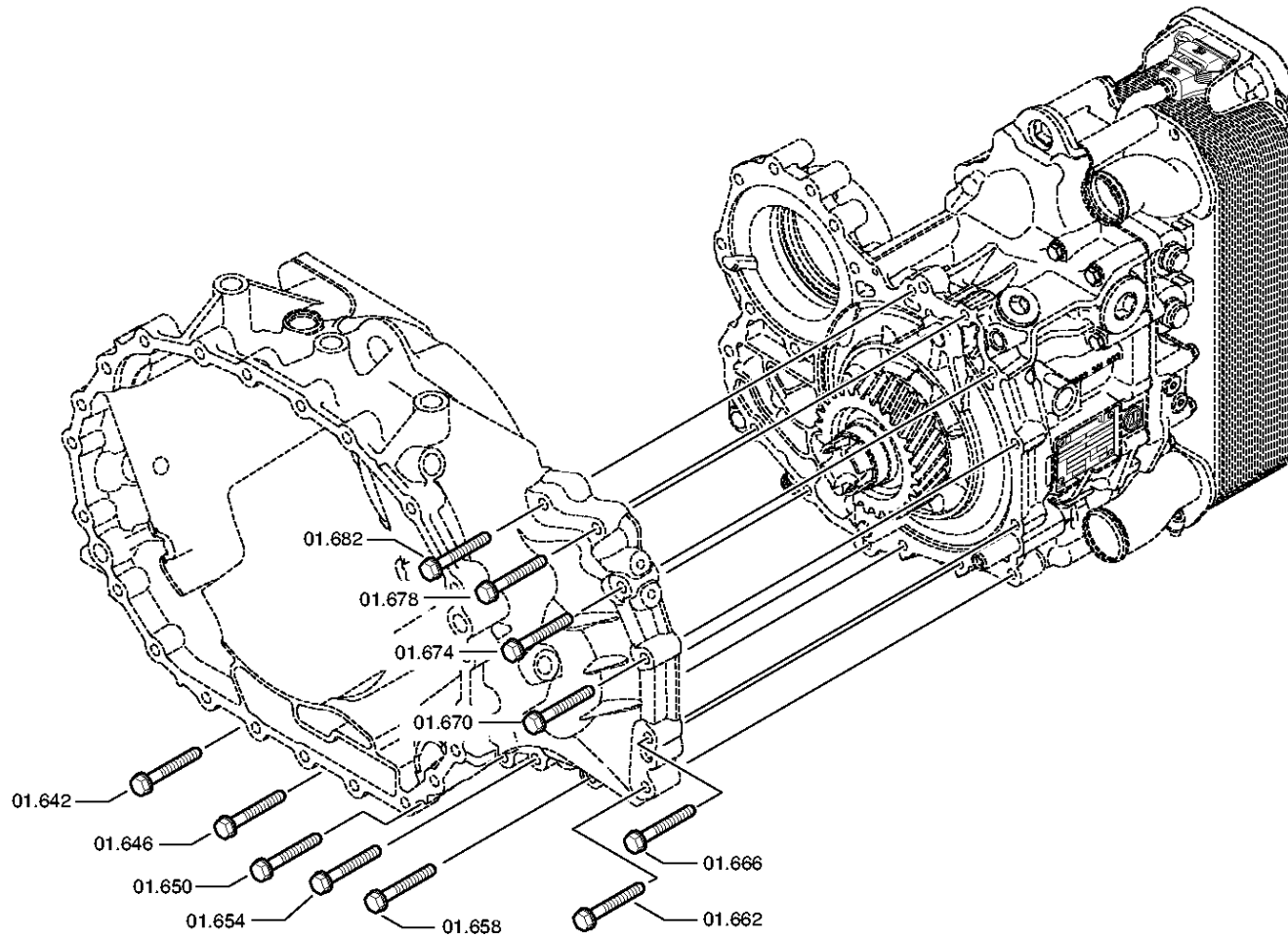
Material number: 1372.040.039

Picture: 155.E1.02-2

Material-assembly-group-no: 6093.101.807



12 TX 2211 TD / ()
ANCHORAGE



Picture

Page 3 from 3

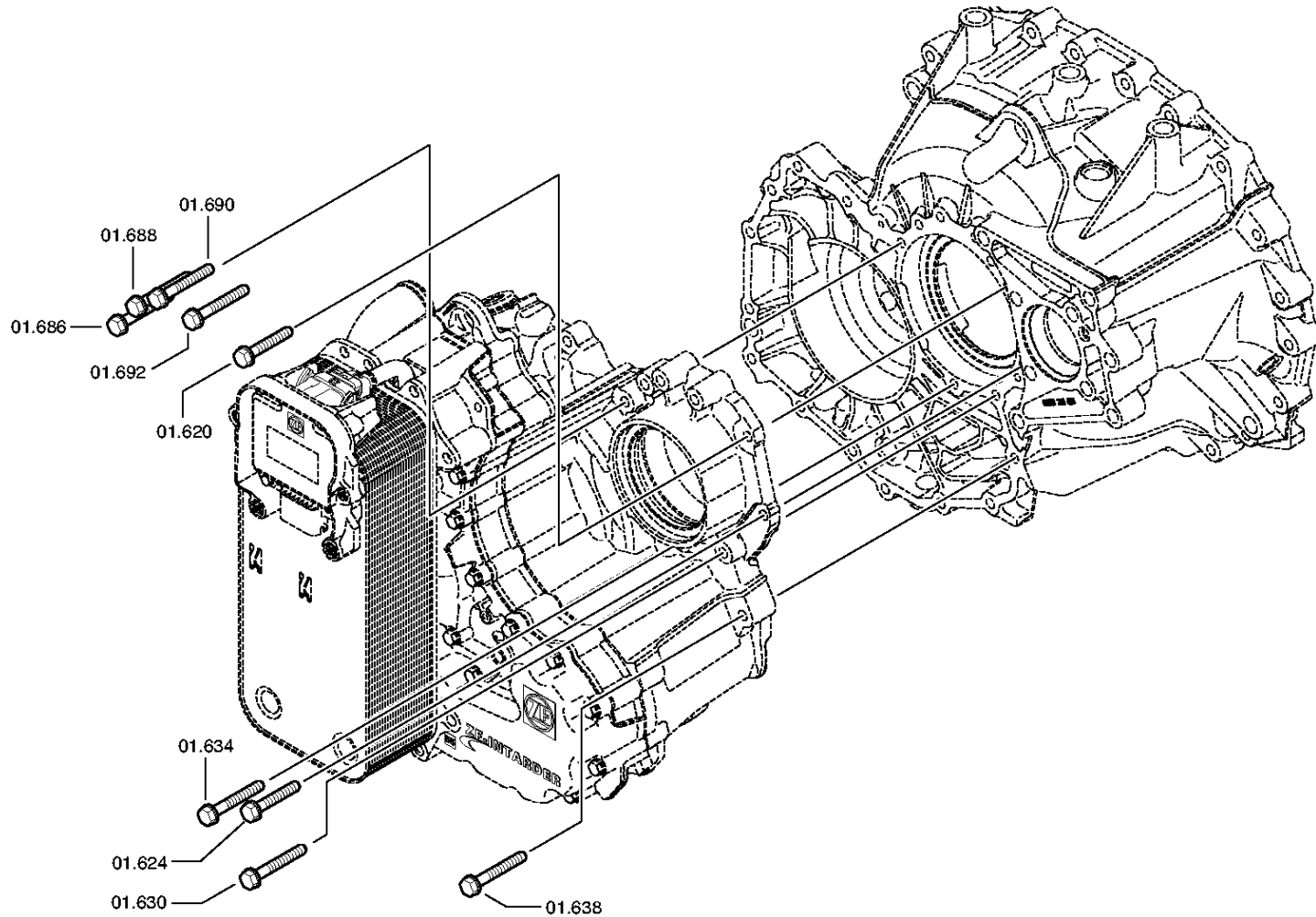
Material number: 1372.040.039

Picture: 155.E1.02-3

Material-assembly-group-no: 6093.101.807



12 TX 2211 TD / ()
ANCHORAGE



Picture

Page 1 from 3

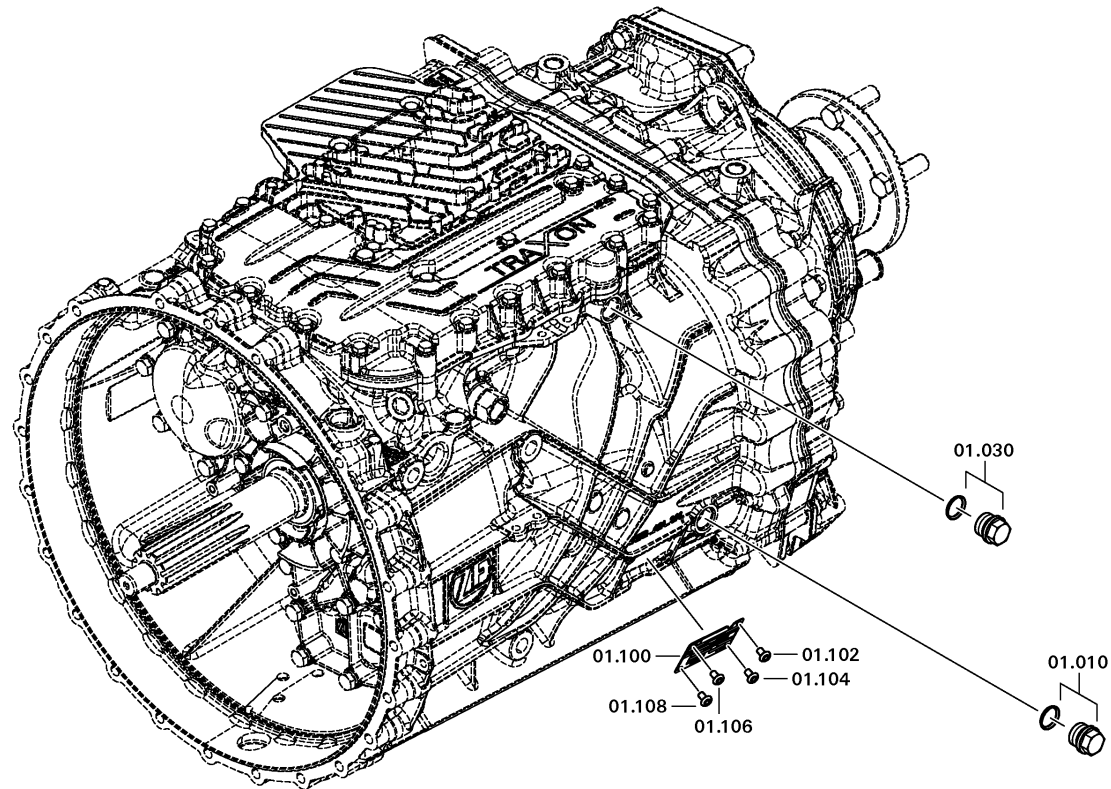
Material number: 1372.040.039

Picture: 194.001.031

Material-assembly-group-no: 1370.101.003



12 TX 2211 TD / ()
TYPE PLATE



Picture

Page 2 from 3

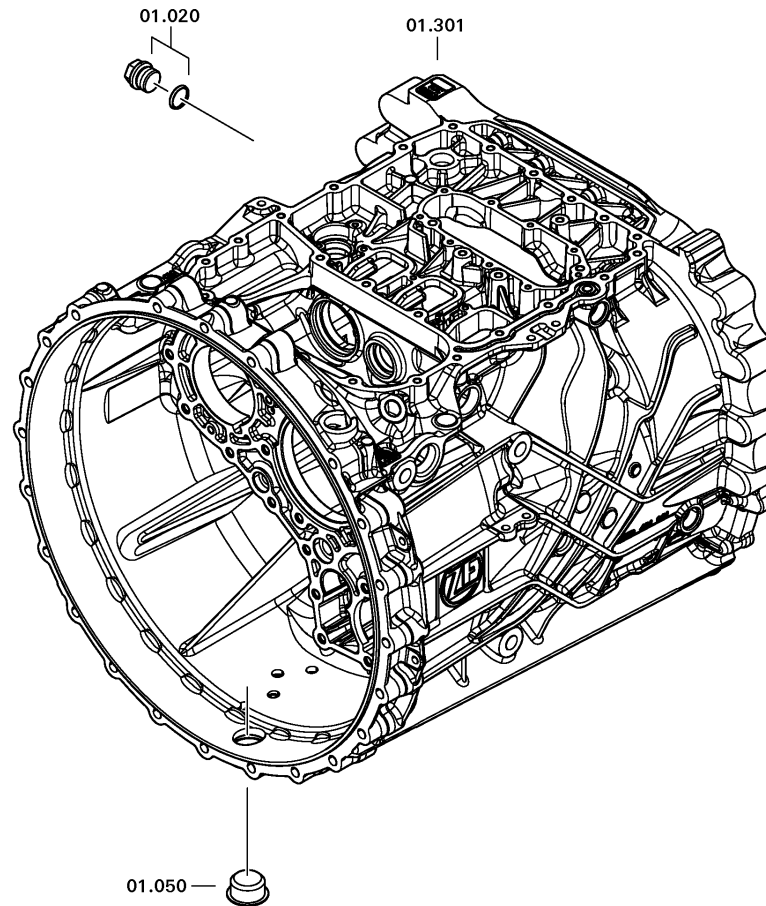
Material number: 1372.040.039

Picture: 194.001.002-1

Material-assembly-group-no: 1370.101.003



12 TX 2211 TD / ()
TYPE PLATE



Picture

Page 3 from 3

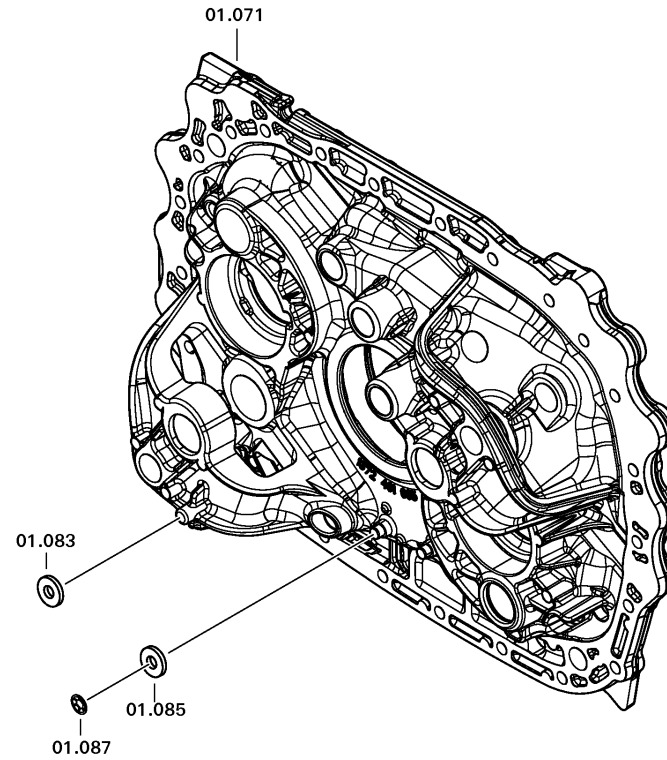
Material number: 1372.040.039

Picture: 194.001.050-1

Material-assembly-group-no: 1370.101.003



12 TX 2211 TD / ()
TYPE PLATE



Picture

Page 1 from 4

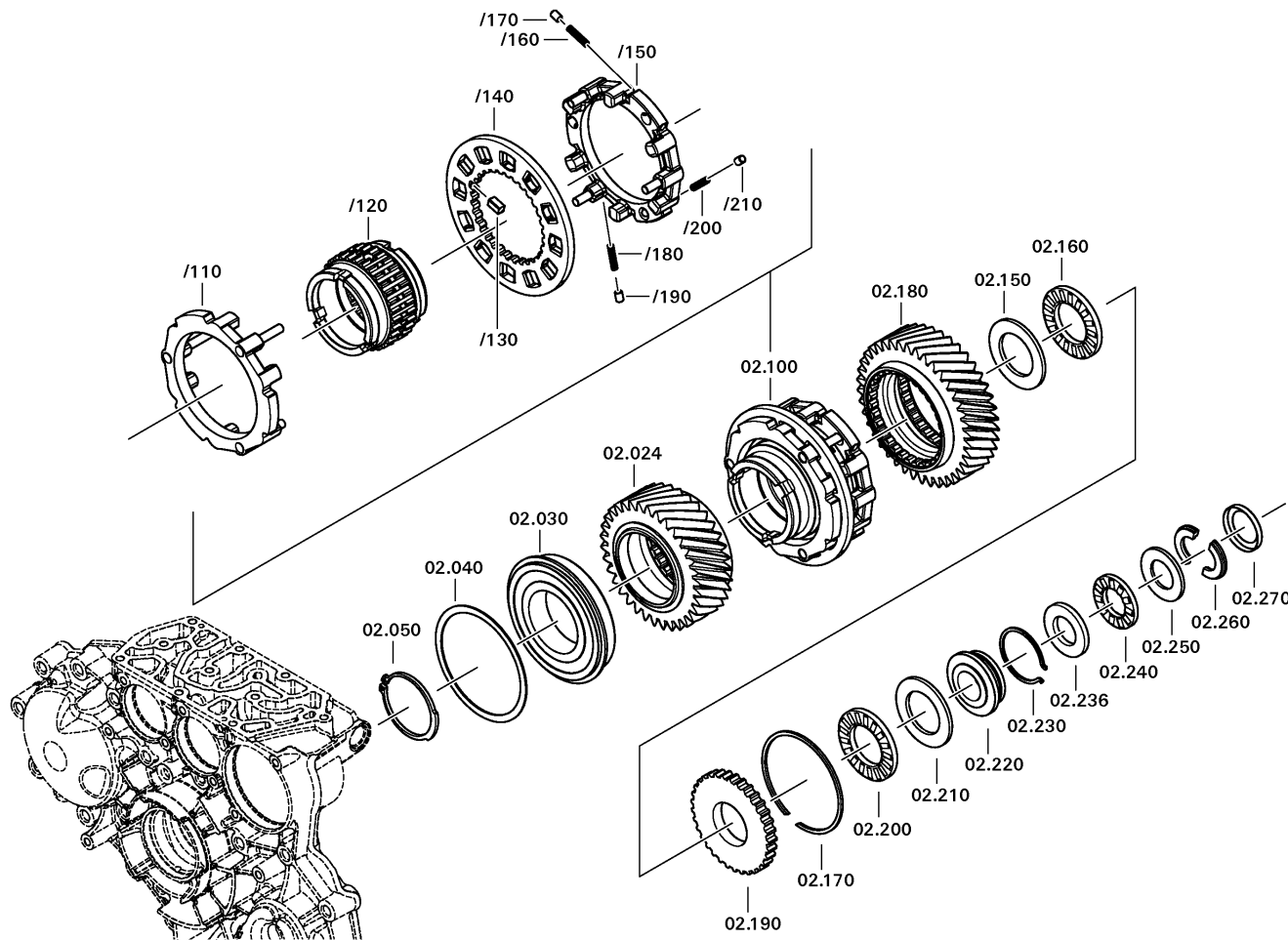
Material number: 1372.040.039

Picture: 194.002.001-1

Material-assembly-group-no: 1372.102.005



12 TX 2211 TD / ()
INPUT SHAFT



Picture

Page 2 from 4

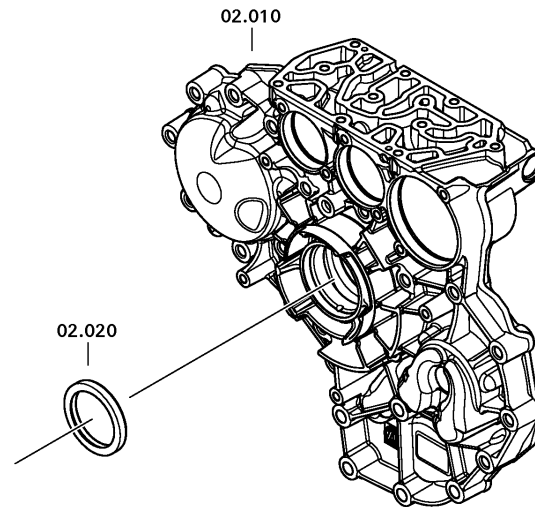
Material number: 1372.040.039

Picture: 194.002.040-1

Material-assembly-group-no: 1372.102.005



12 TX 2211 TD / ()
INPUT SHAFT



Picture

Page 3 from 4

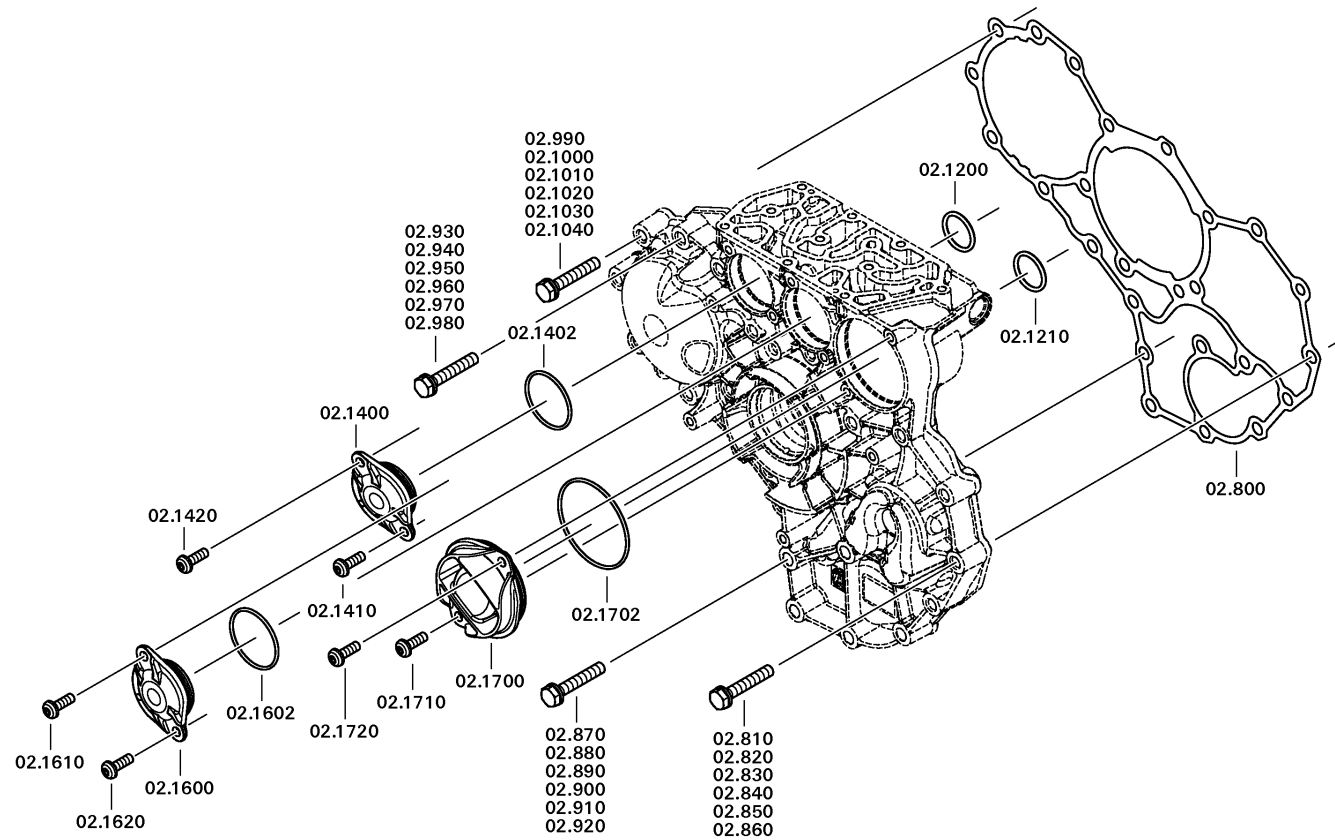
Material number: 1372.040.039

Picture: 194.002.080-1

Material-assembly-group-no: 1372.102.005



12 TX 2211 TD / ()
INPUT SHAFT



Picture

Page 4 from 4

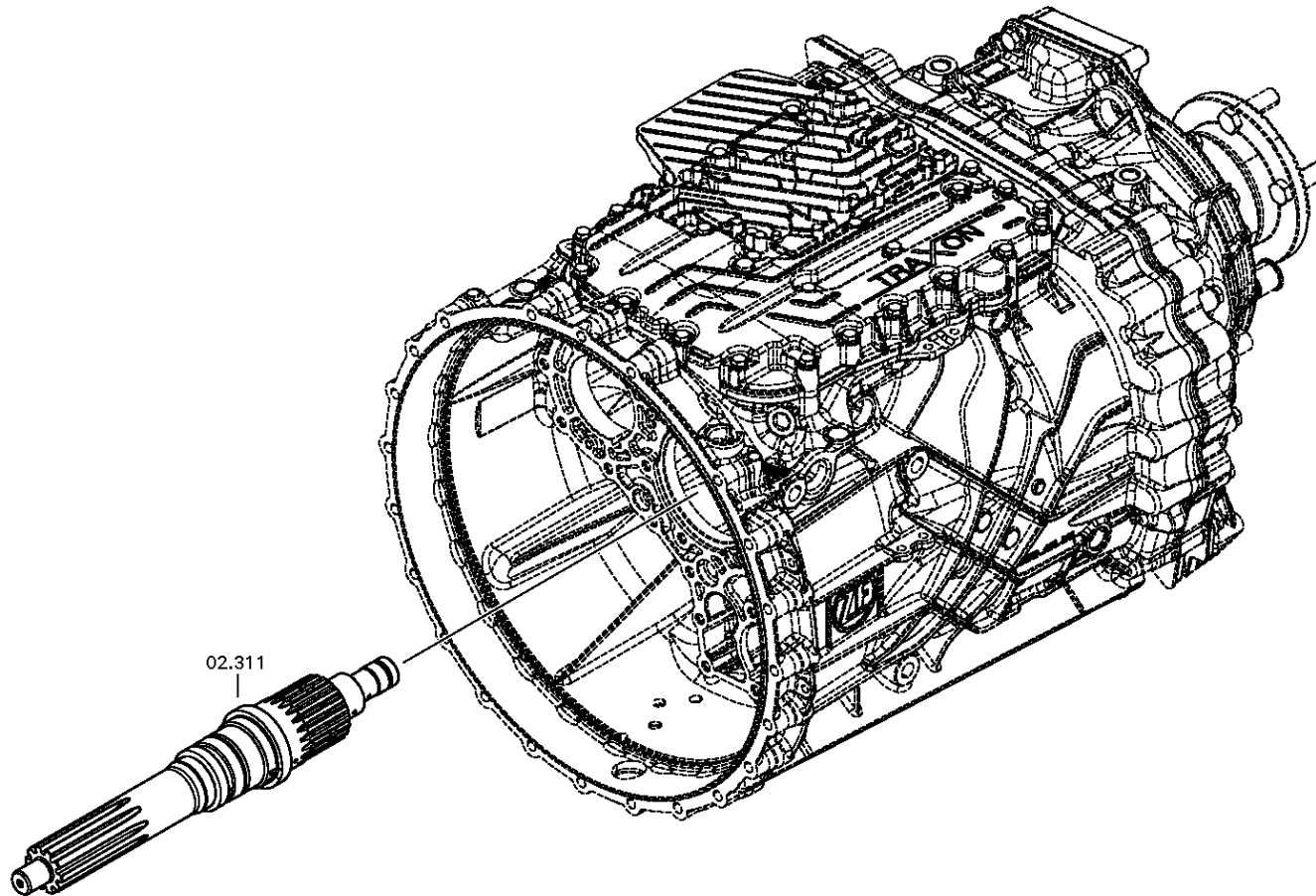
Material number: 1372.040.039

Picture: 194.02.20-1

Material-assembly-group-no: 1372.102.005



12 TX 2211 TD / ()
INPUT SHAFT



Picture

Page 1 from 3

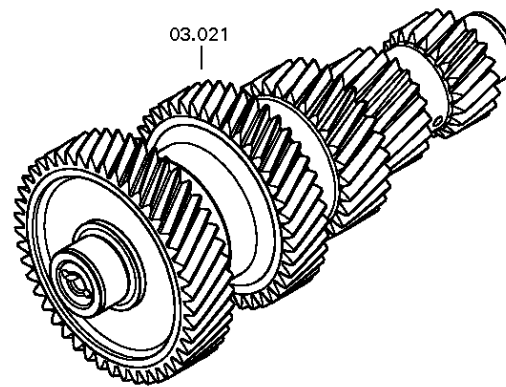
Material number: 1372.040.039

Picture: 194.03.20-1

Material-assembly-group-no: 1372.203.006



12 TX 2211 TD / ()
COUNTERSHAFT



Picture

Page 2 from 3

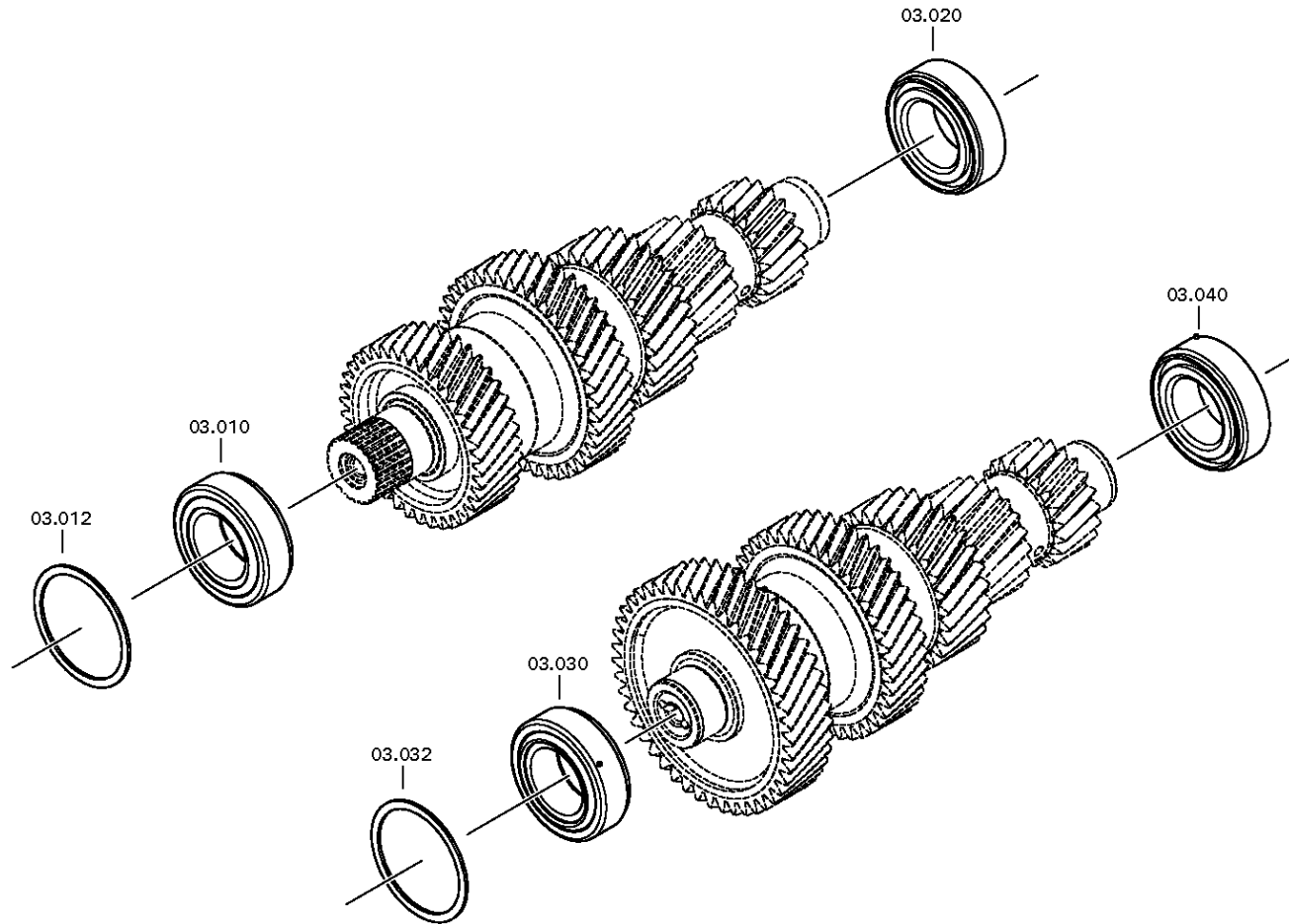
Material number: 1372.040.039

Picture: 194.03.01-1

Material-assembly-group-no: 1372.203.006



12 TX 2211 TD / ()
COUNTERSHAFT



Picture

Page 3 from 3

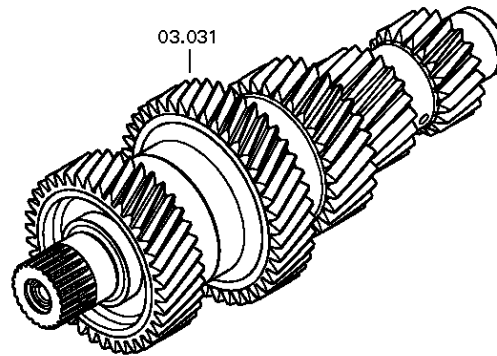
Material number: 1372.040.039

Picture: 194.03.40-1

Material-assembly-group-no: 1372.203.006



12 TX 2211 TD / ()
COUNTERSHAFT



Picture

Page 1 from 2

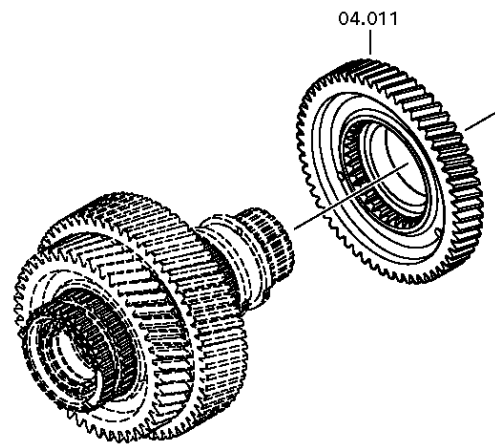
Material number: 1372.040.039

Picture: 194.04.20-1

Material-assembly-group-no: 1372.304.029



12 TX 2211 TD / ()
HELICAL GEAR



Picture

Page 2 from 2

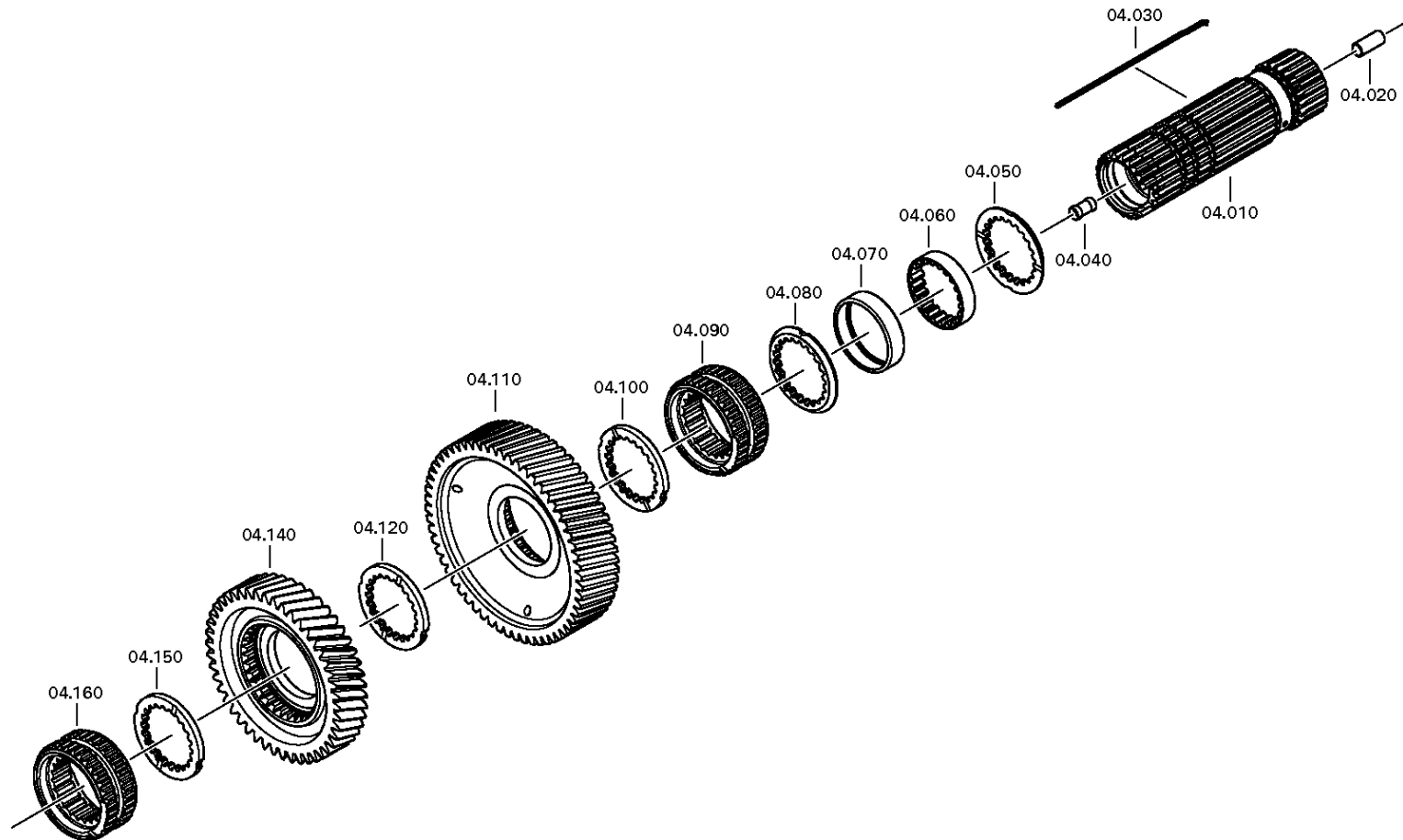
Material number: 1372.040.039

Picture: 194.04.02-1

Material-assembly-group-no: 1372.304.029



12 TX 2211 TD / ()
HELICAL GEAR



Picture

Page 1 from 2

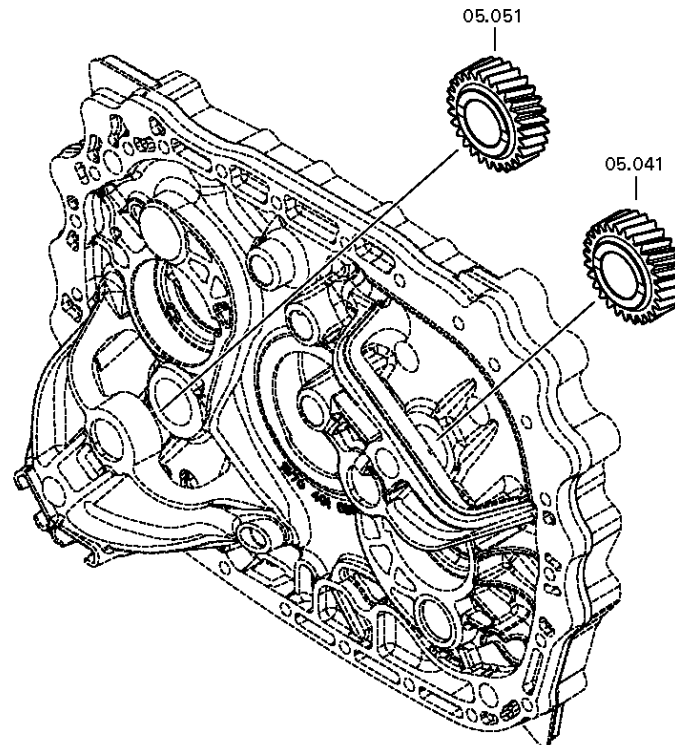
Material number: 1372.040.039

Picture: 194.05.20-1

Material-assembly-group-no: 1358.305.206



12 TX 2211 TD / ()
HELICAL GEAR



Picture

Page 2 from 2

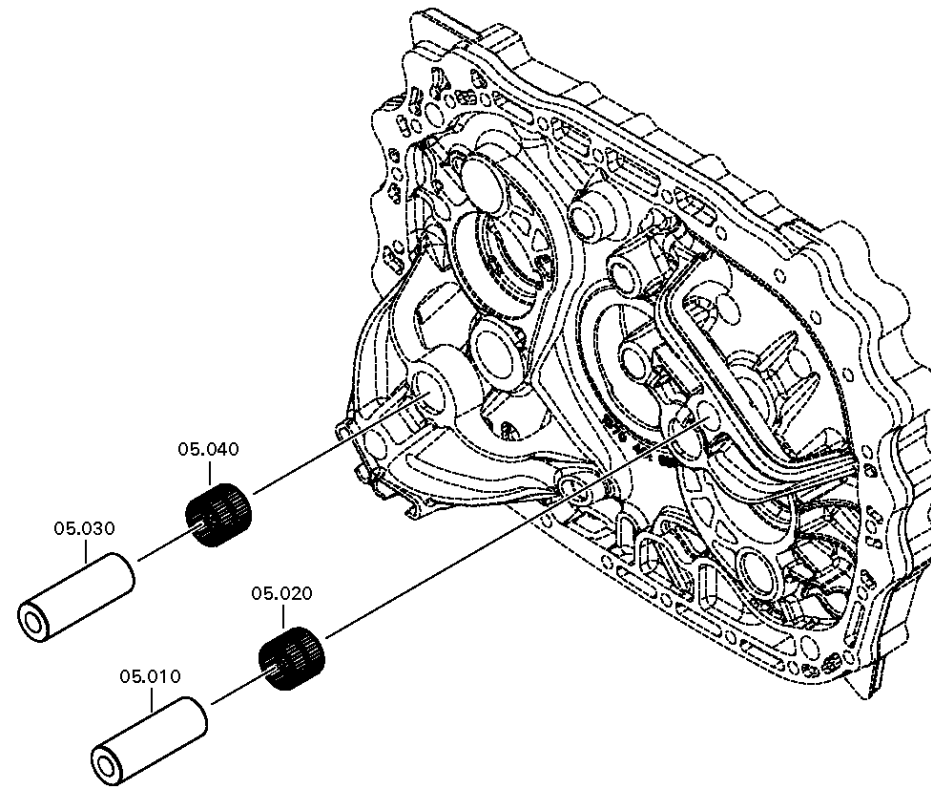
Material number: 1372.040.039

Picture: 194.05.01-1

Material-assembly-group-no: 1358.305.206



12 TX 2211 TD / ()
HELICAL GEAR



Picture

Page 1 from 1

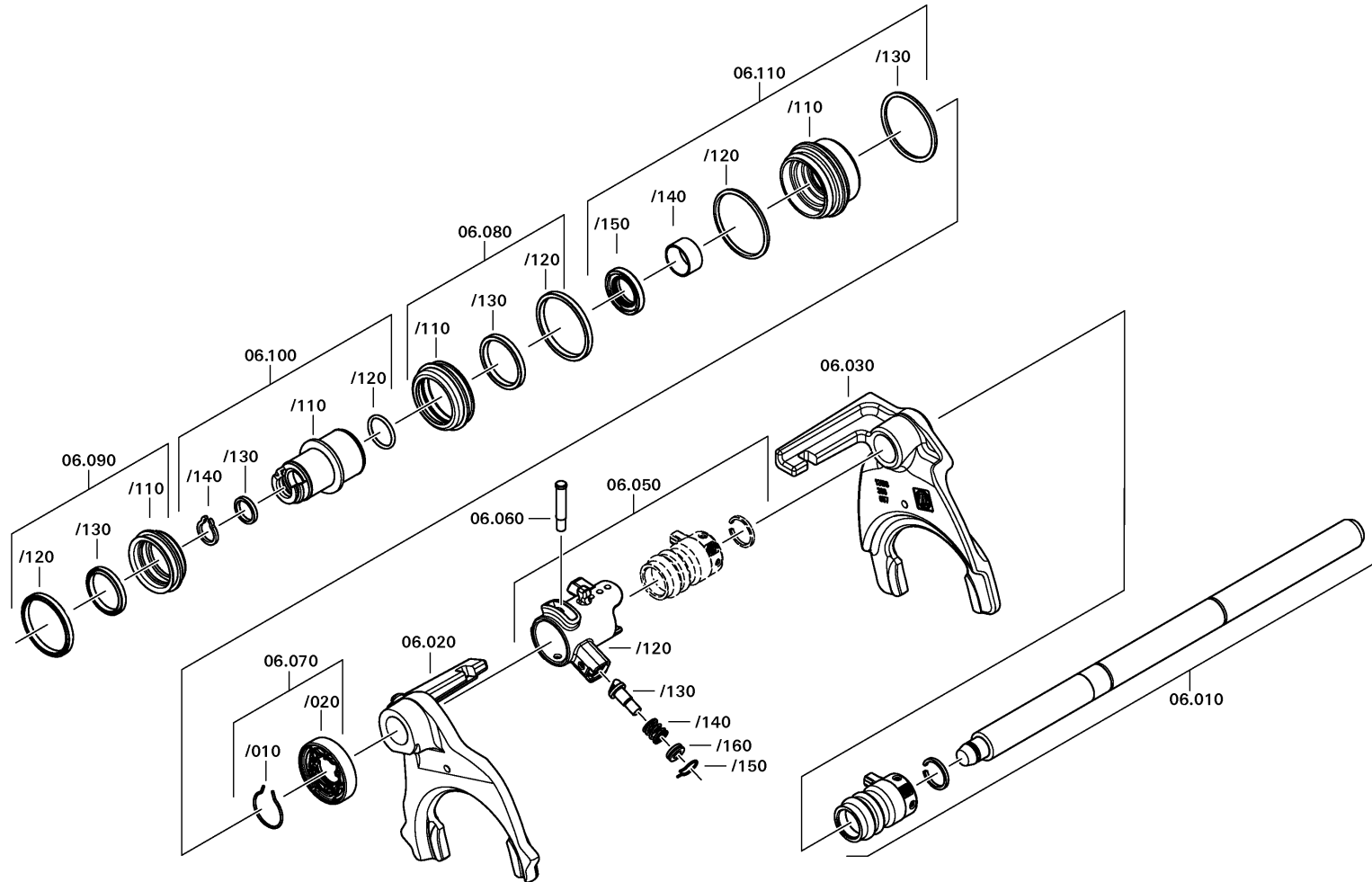
Material number: 1372.040.039

Picture: 194.006.004-1

Material-assembly-group-no: 1372.106.003



12 TX 2211 TD / ()
TRANSMISSION SHIFT SYSTEM



Picture

Page 1 from 1

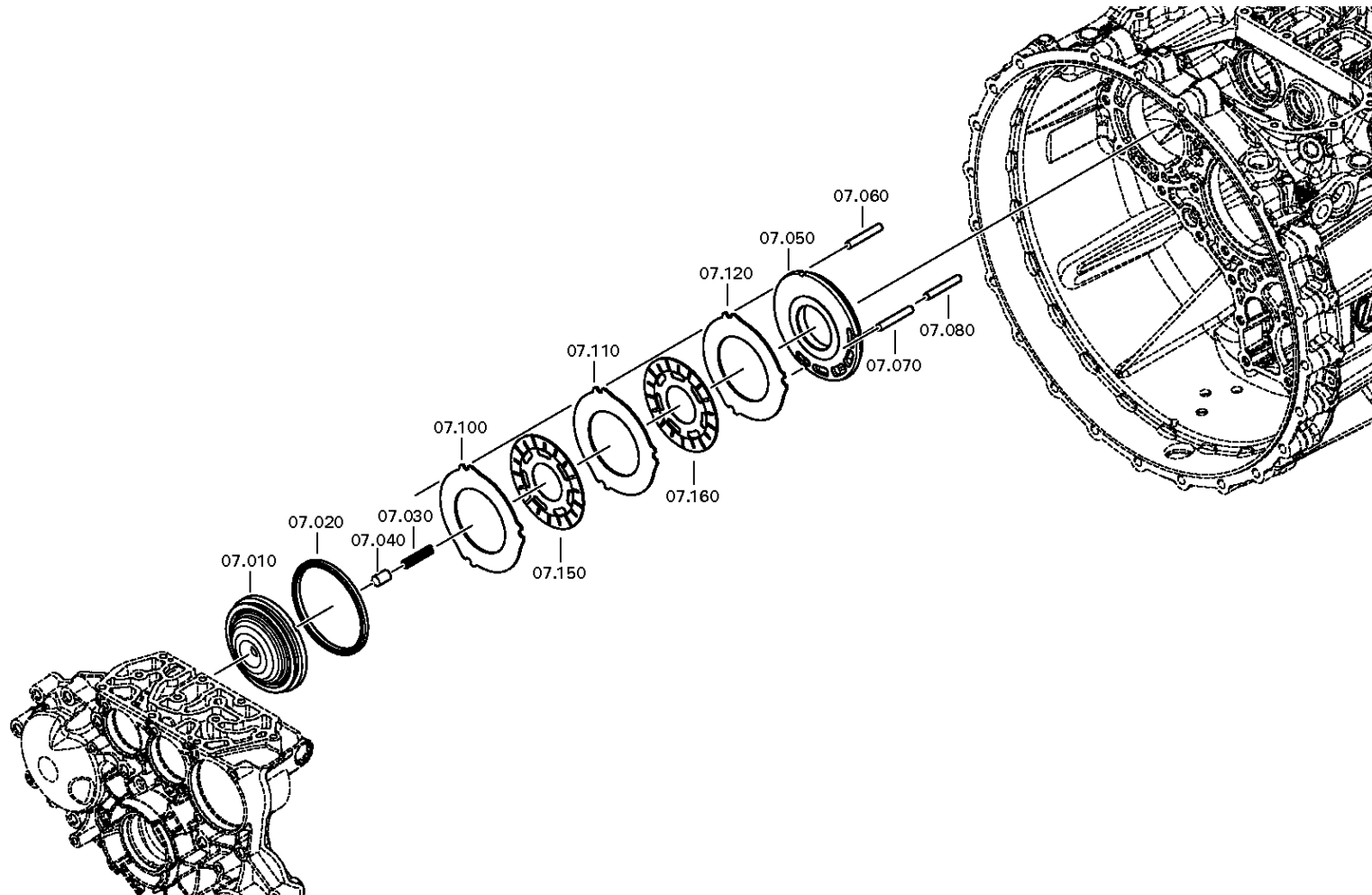
Material number: 1372.040.039

Picture: 194.07.02-1

Material-assembly-group-no: 1358.107.004



12 TX 2211 TD / ()
BRAKE



Picture

Page 1 from 1

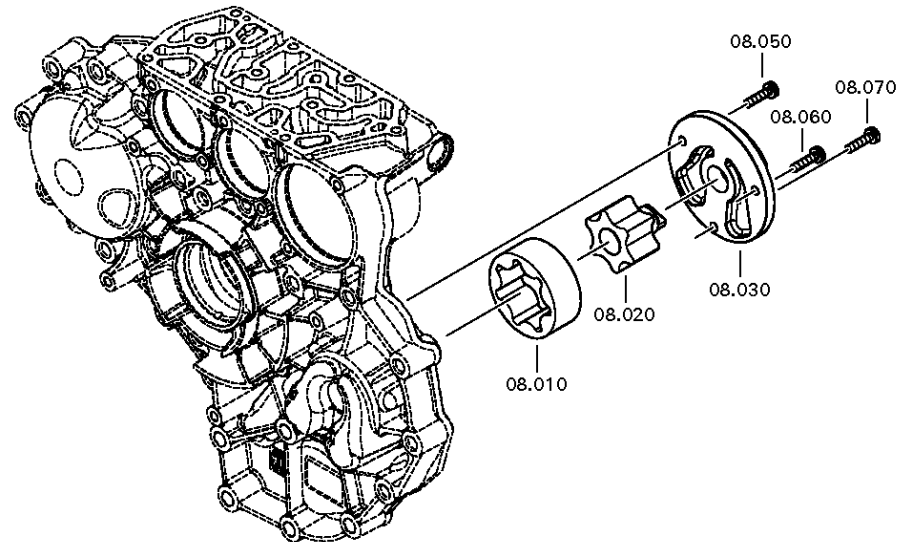
Material number: 1372.040.039

Picture: 194.08.01-1

Material-assembly-group-no: 1358.108.002



12 TX 2211 TD / ()
PUMP



Picture

Page 1 from 1

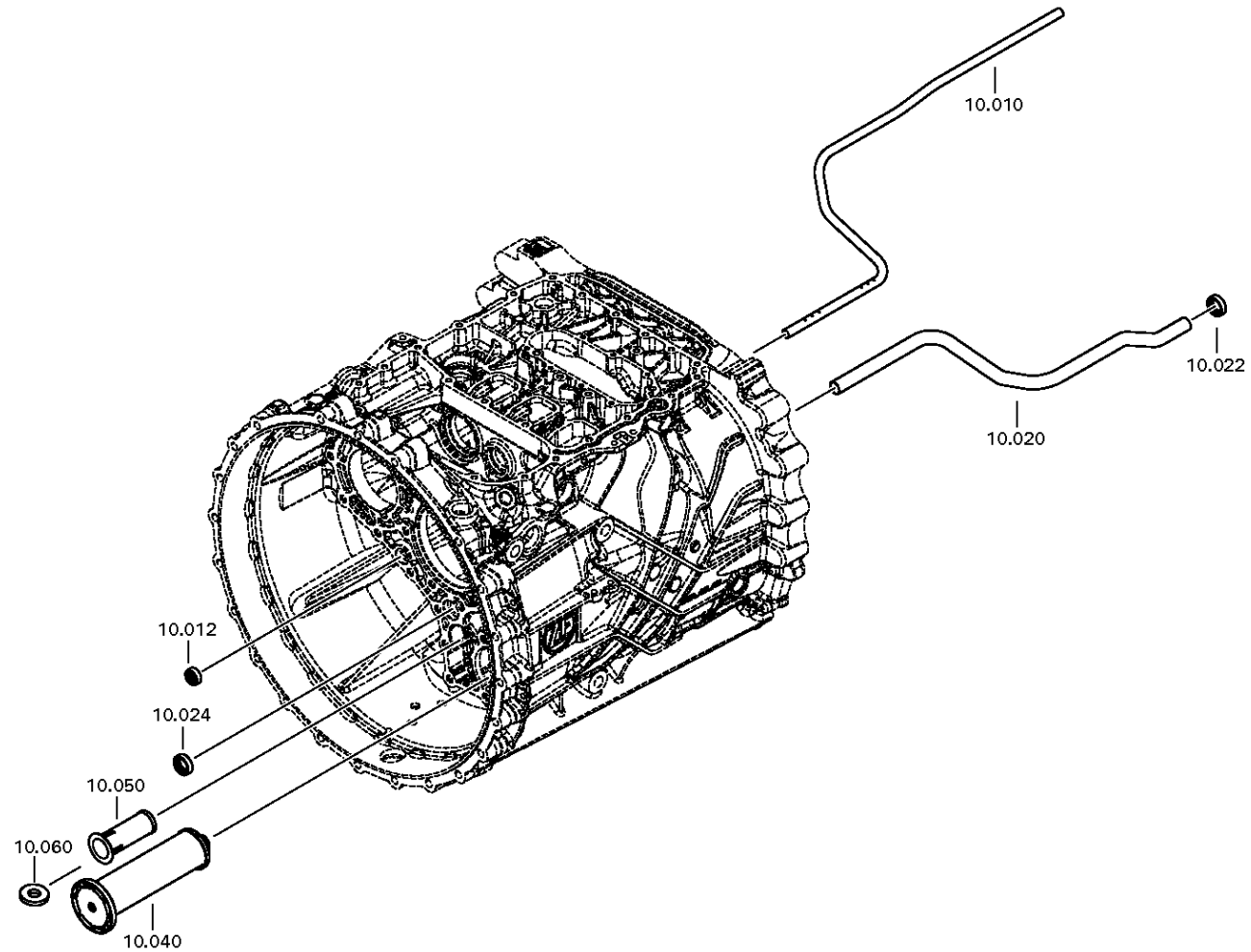
Material number: 1372.040.039

Picture: 194.10.01-1

Material-assembly-group-no: 1372.110.001



12 TX 2211 TD / ()
OIL SUPPLY



Picture

Page 1 from 1

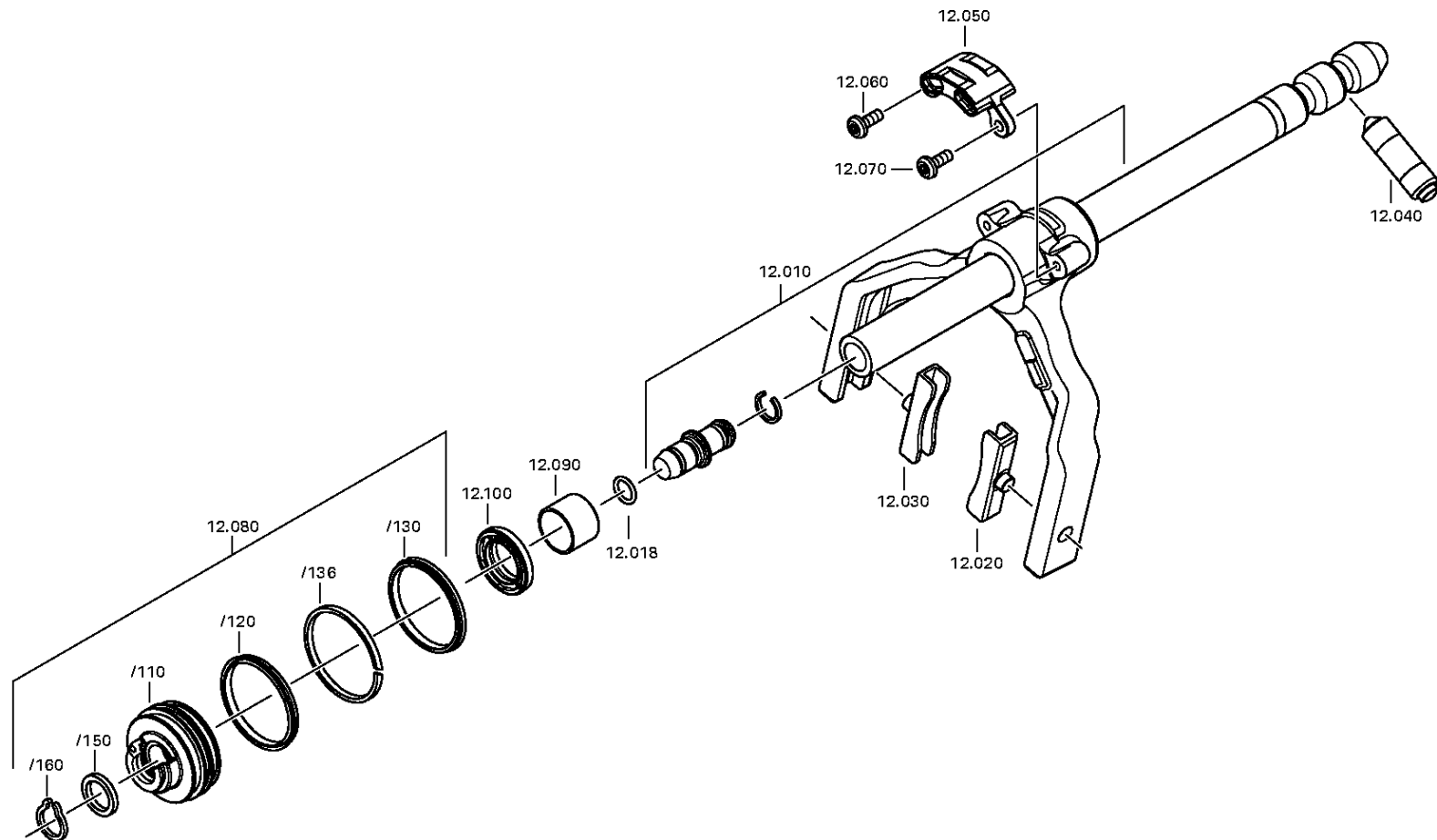
Material number: 1372.040.039

Picture: 194.012.004-1

Material-assembly-group-no: 1372.112.004



12 TX 2211 TD / ()
GEARSHIFT SYST. GV



Picture

Page 1 from 3

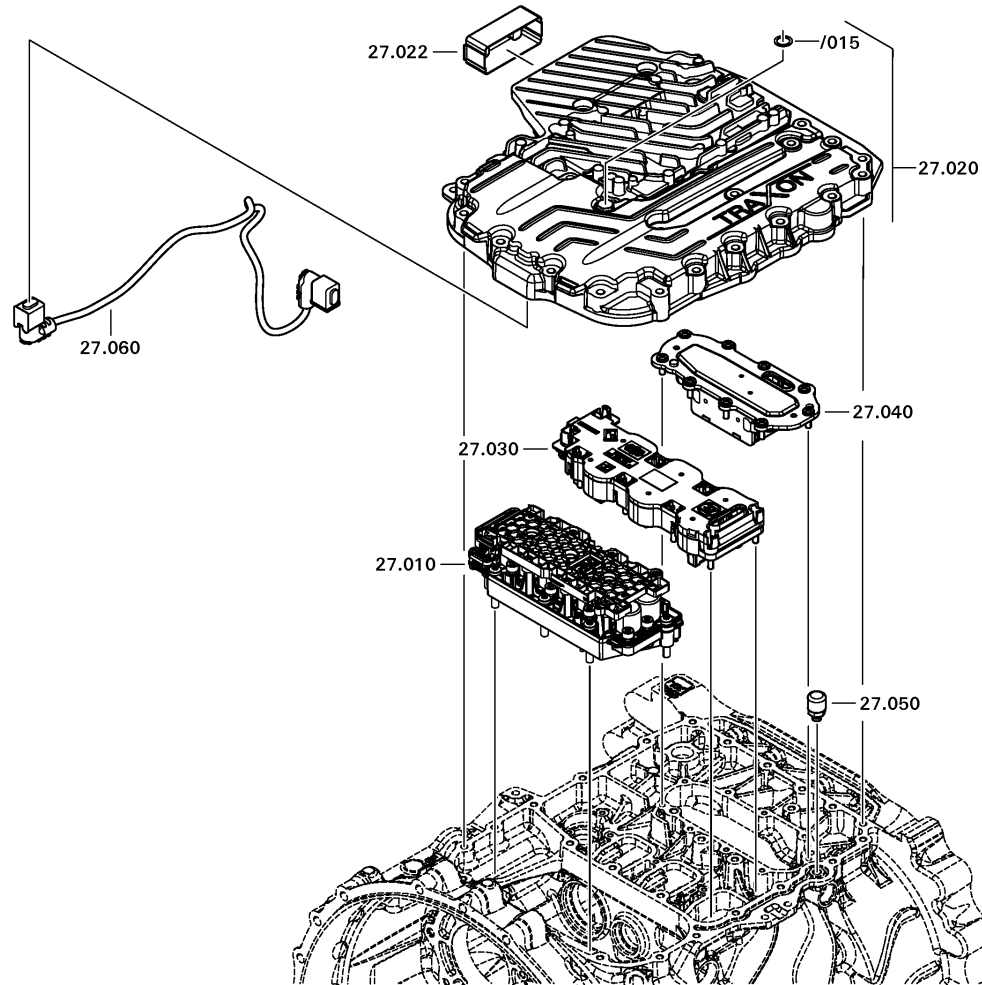
Material number: 1372.040.039

Picture: 194.027.006-1

Material-assembly-group-no: 1358.127.007



12 TX 2211 TD / ()
CONTROL UNIT



Picture

Page 2 from 3

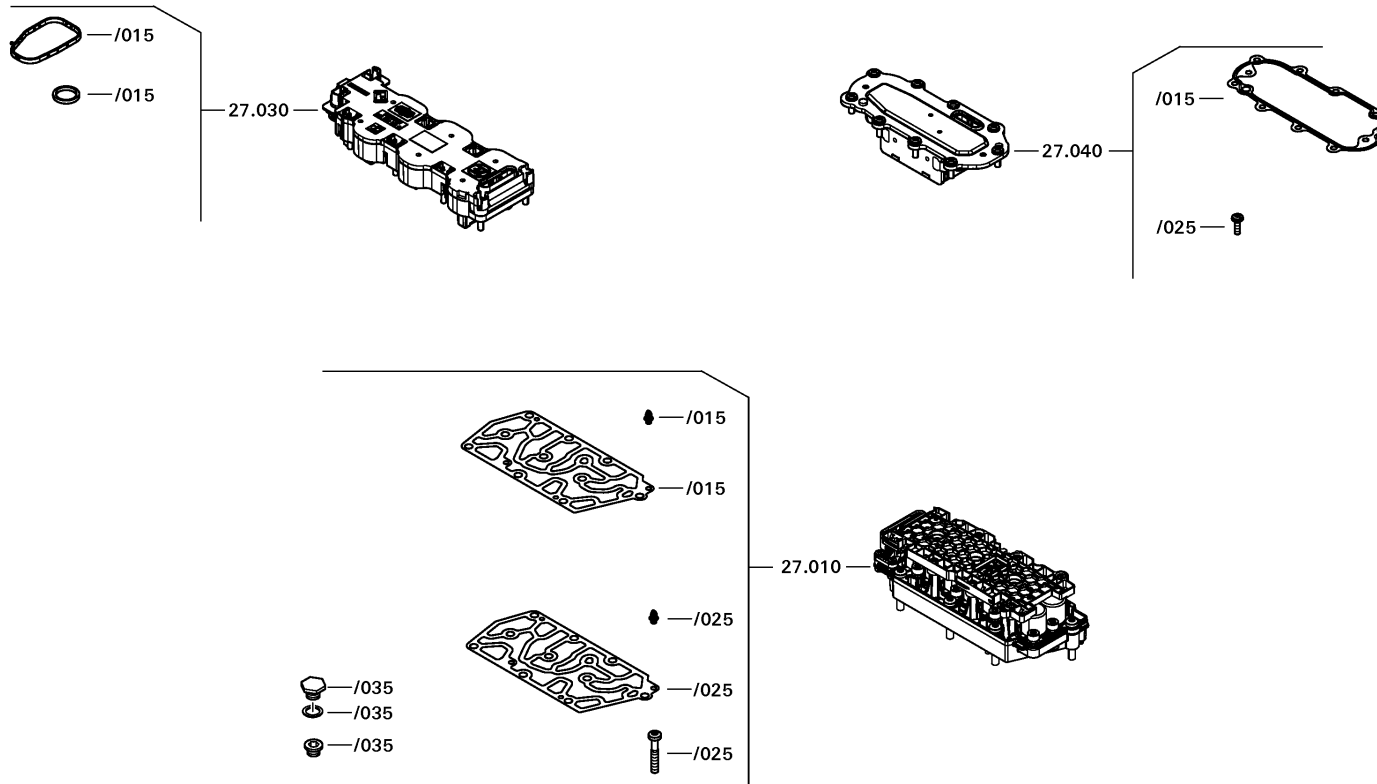
Material number: 1372.040.039

Picture: 194.027.006-2

Material-assembly-group-no: 1358.127.007



12 TX 2211 TD / ()
CONTROL UNIT



Picture

Page 3 from 3

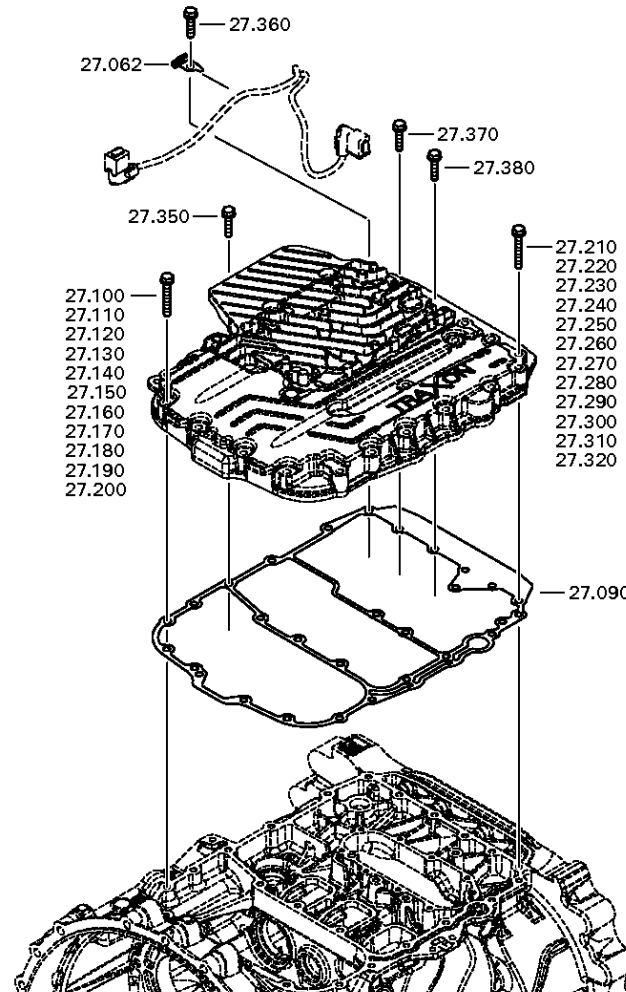
Material number: 1372.040.039

Picture: 194.27.80-1

Material-assembly-group-no: 1358.127.007



12 TX 2211 TD / ()
CONTROL UNIT



Picture

Page 1 from 4

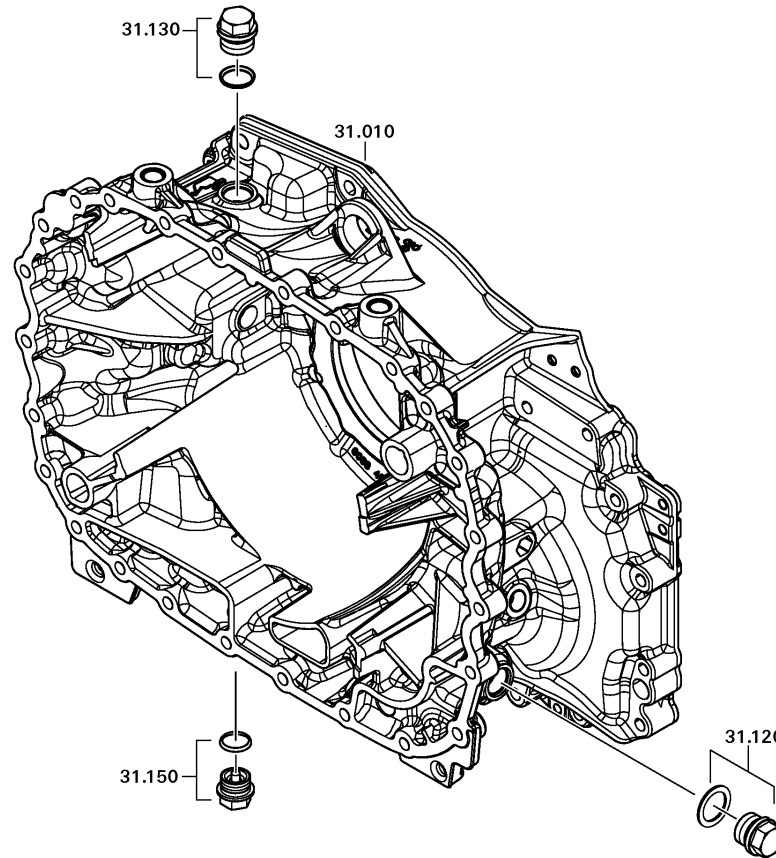
Material number: 1372.040.039

Picture: 194.031.001-1

Material-assembly-group-no: 1358.131.011



12 TX 2211 TD / ()
HOUSING GP



Picture

Page 2 from 4

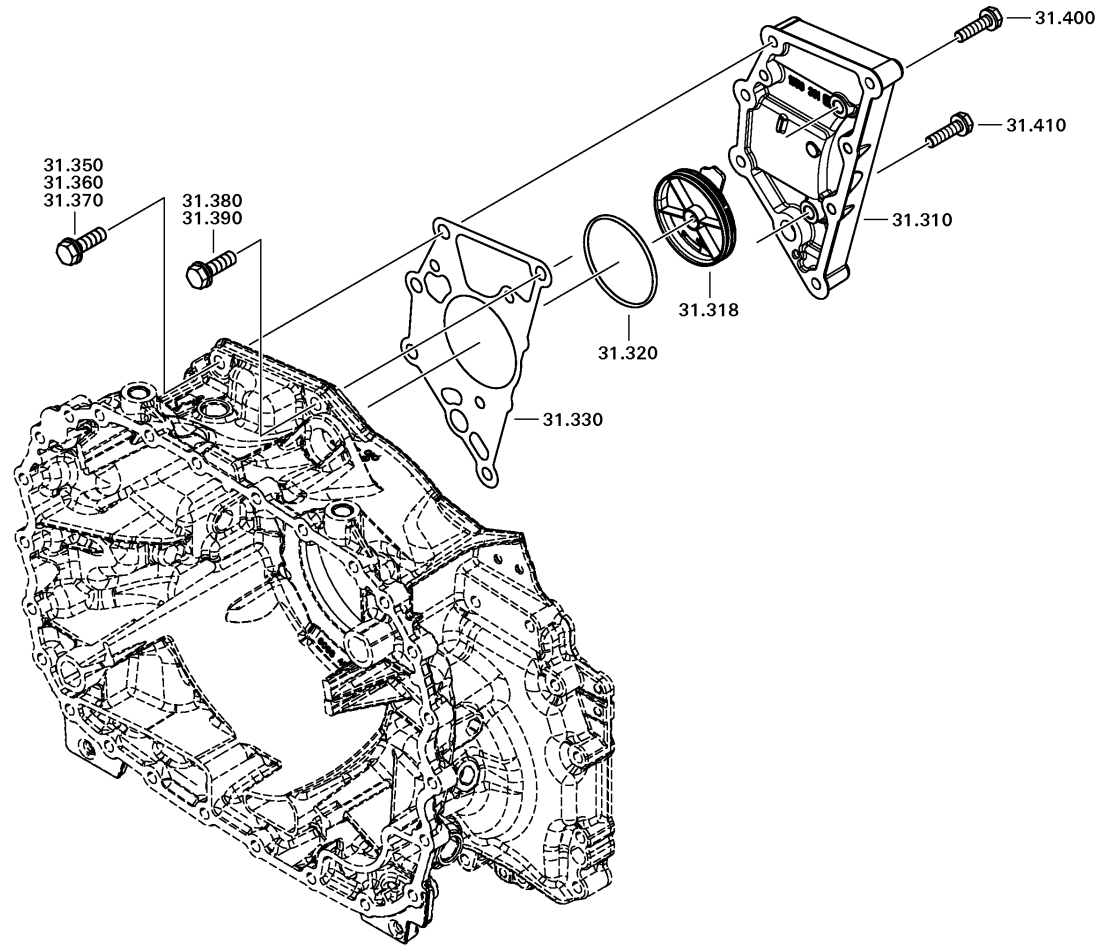
Material number: 1372.040.039

Picture: 194.031.020-1

Material-assembly-group-no: 1358.131.011



12 TX 2211 TD / ()
HOUSING GP



Picture

Page 3 from 4

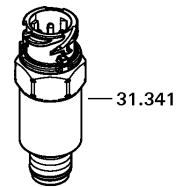
Material number: 1372.040.039

Picture: 194.031.050

Material-assembly-group-no: 1358.131.011



12 TX 2211 TD / ()
HOUSING GP



Picture

Page 4 from 4

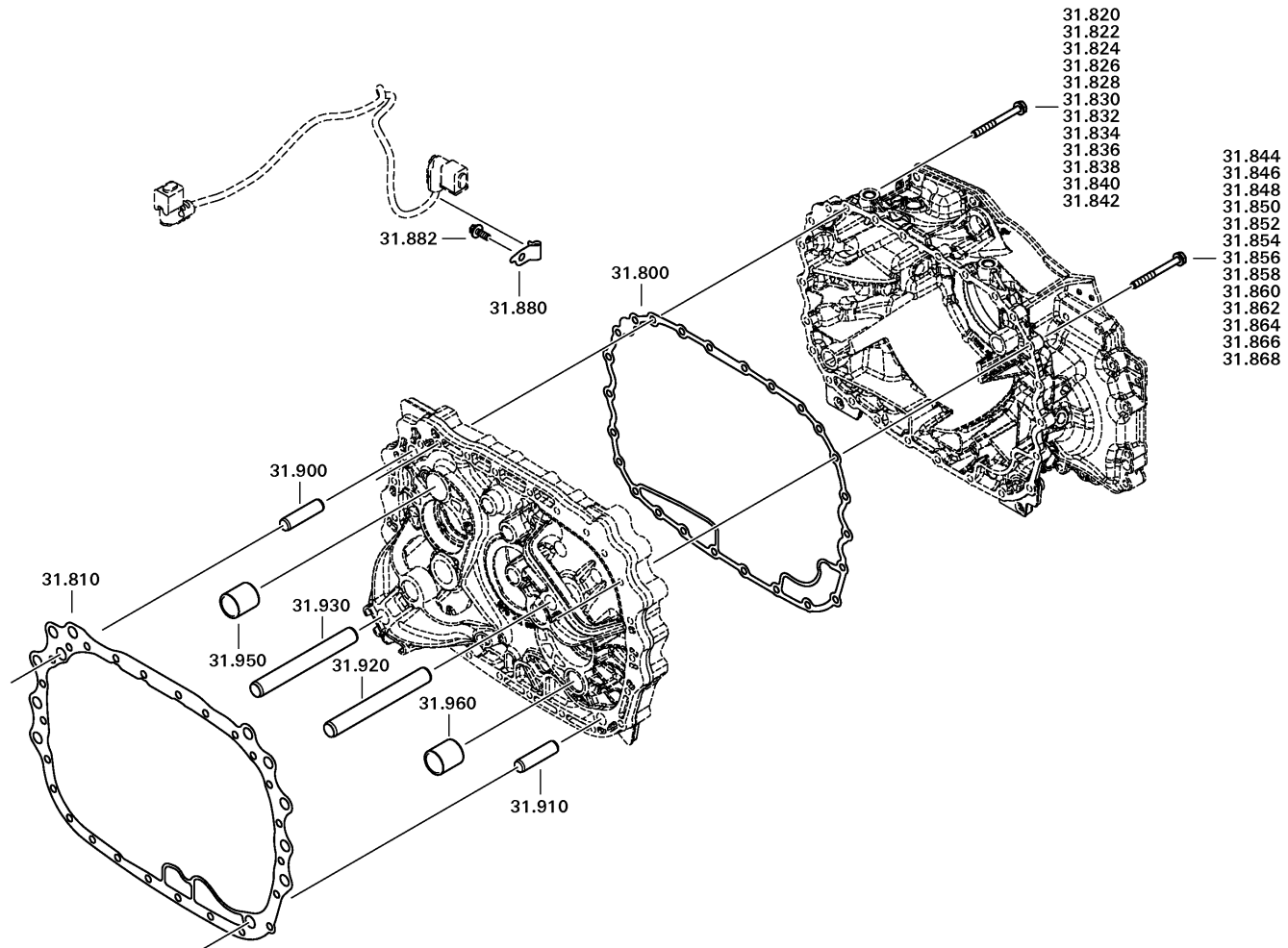
Material number: 1372.040.039

Picture: 194.031.080

Material-assembly-group-no: 1358.131.011



12 TX 2211 TD / ()
HOUSING GP



Picture

Page 2 from 2

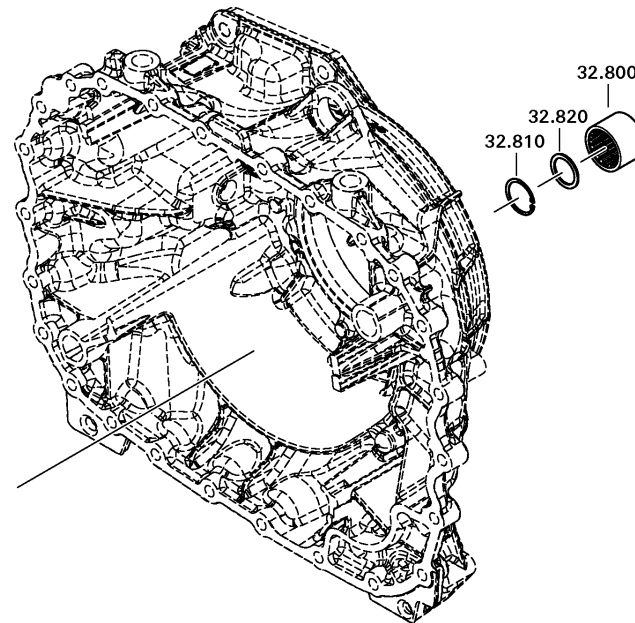
Material number: 1372.040.039

Picture: 194.032.081-1

Material-assembly-group-no: 1358.132.004



12 TX 2211 TD / ()
PLANETARY DRIVE



Picture

Page 1 from 2

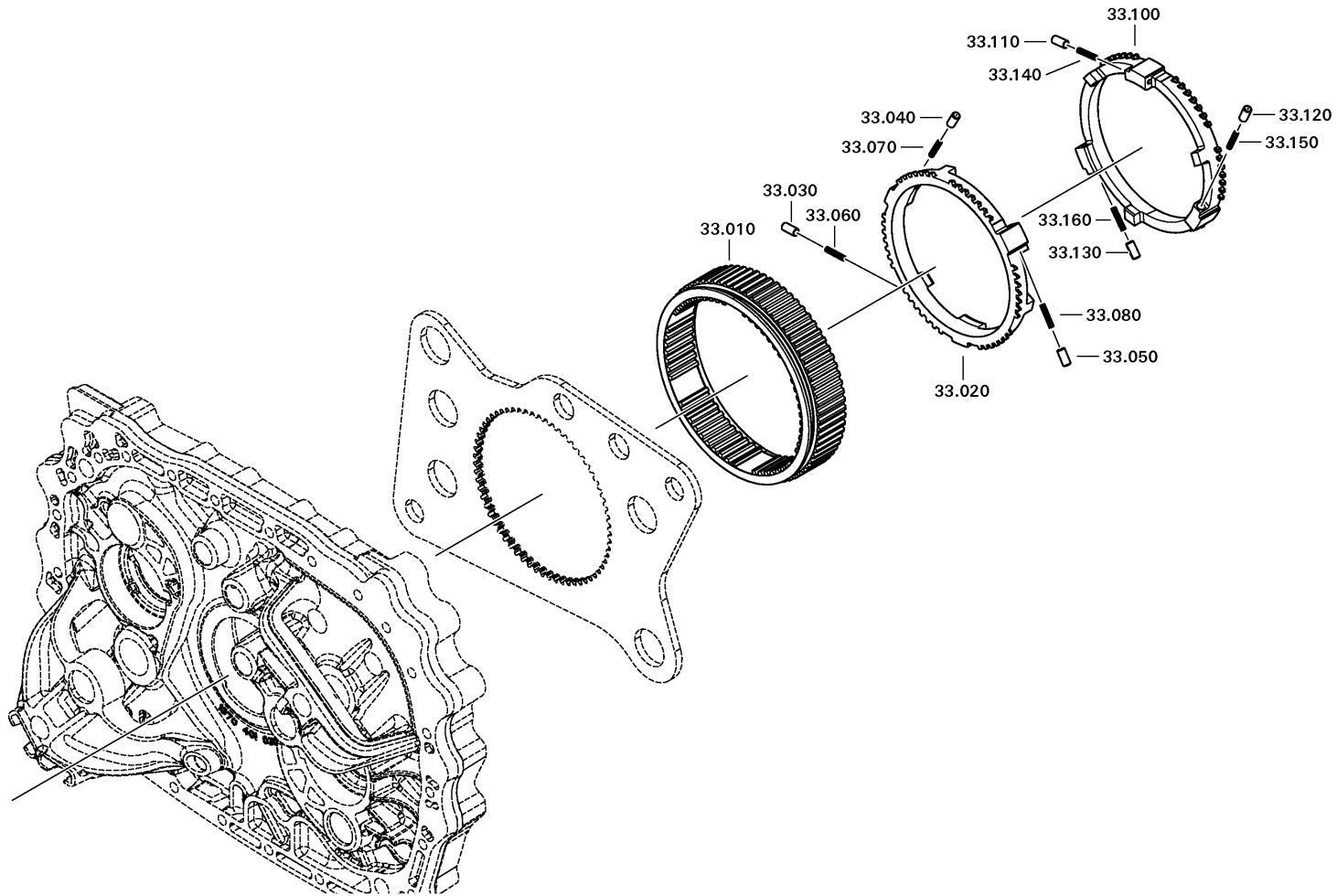
Material number: 1372.040.039

Picture: 194.033.001-1

Material-assembly-group-no: 1358.133.002



12 TX 2211 TD / ()
SYNCHRONIZER GP



Picture

Page 2 from 2

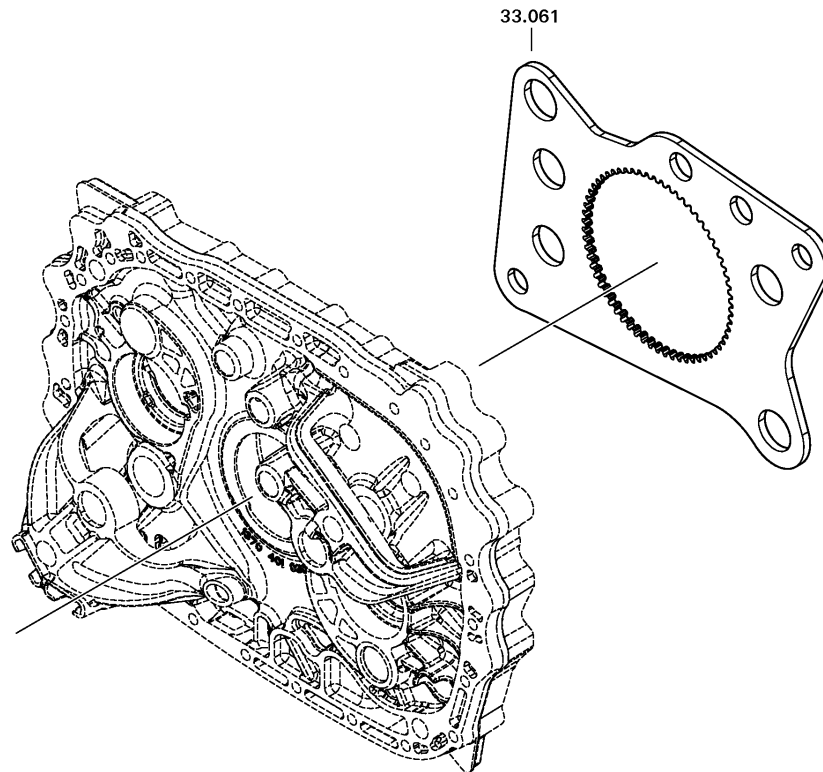
Material number: 1372.040.039

Picture: 194.033.030-1

Material-assembly-group-no: 1358.133.002



12 TX 2211 TD / ()
SYNCHRONIZER GP



Picture

Page 1 from 1

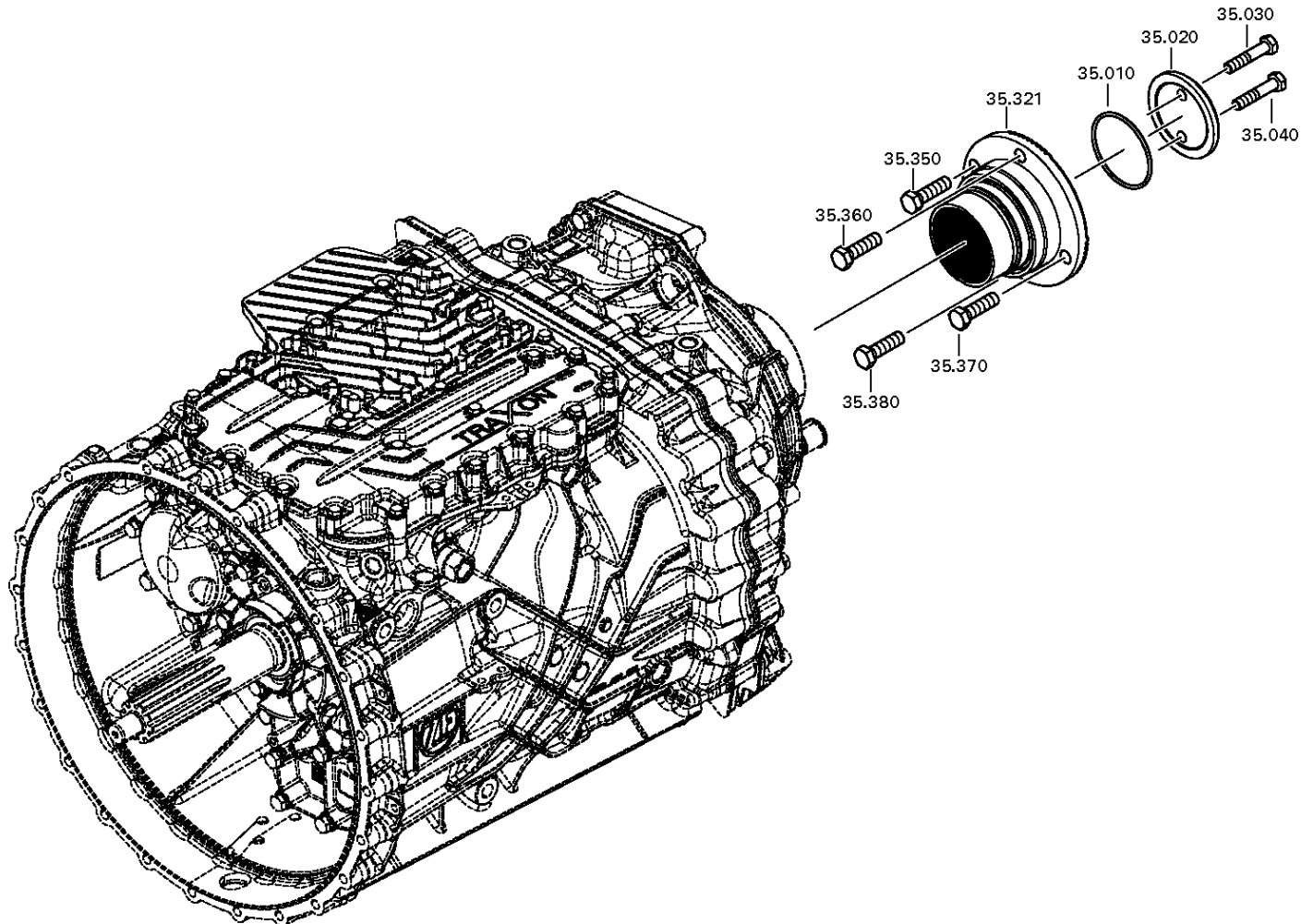
Material number: 1372.040.039

Picture: 194.35.03-1

Material-assembly-group-no: 1358.135.011



12 TX 2211 TD / ()
OUTPUT



Picture

Page 1 from 1

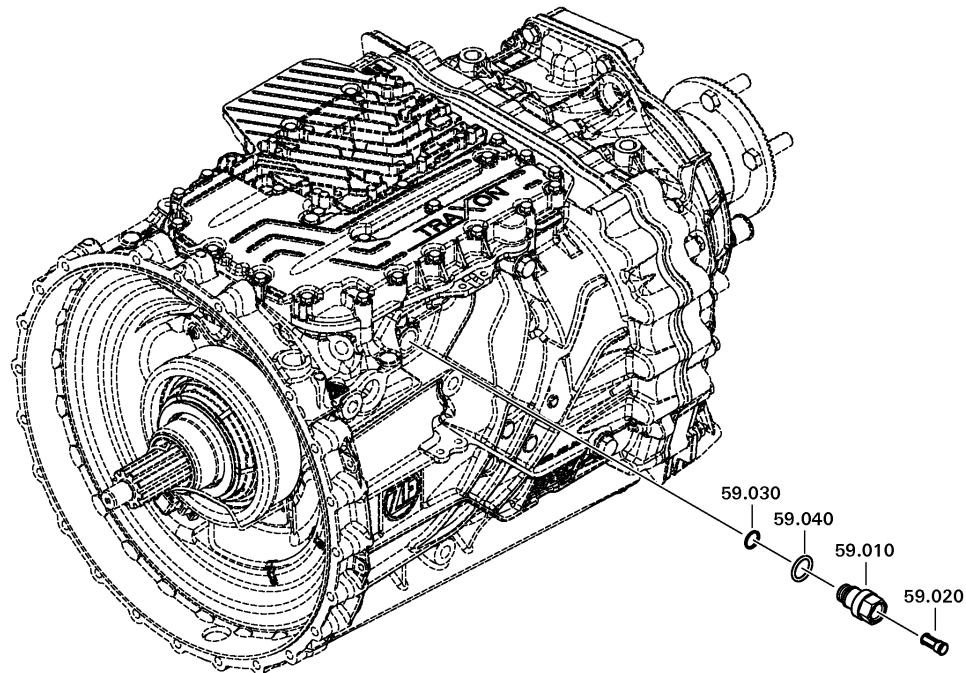
Material number: 1372.040.039

Picture: 194.059.001-1

Material-assembly-group-no: 1358.159.001



12 TX 2211 TD / ()
PNEUMATIC CONNECTION



Picture

Page 1 from 1

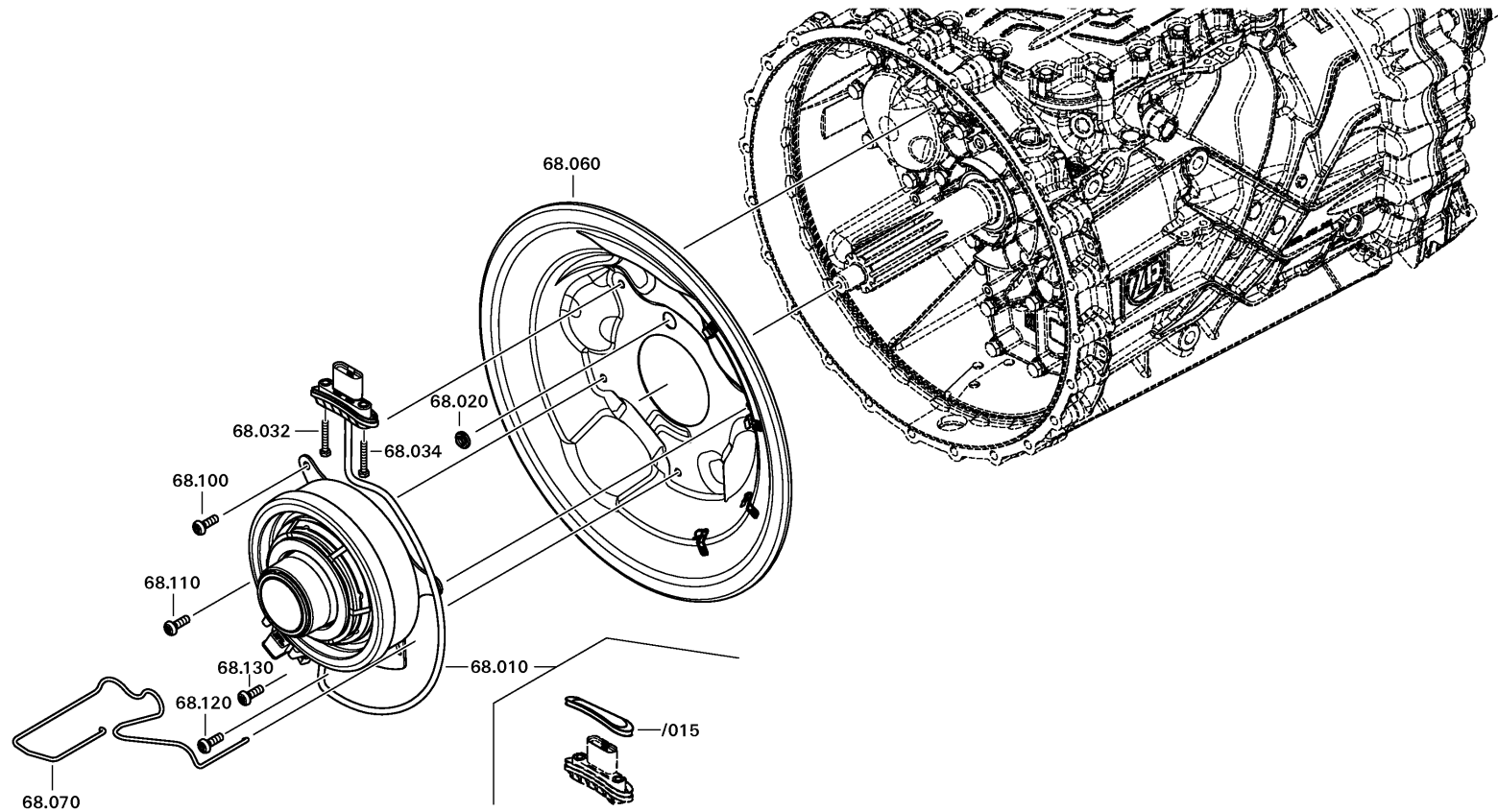
Material number: 1372.040.039

Picture: 194.068.003

Material-assembly-group-no: 1372.168.005



12 TX 2211 TD / ()
CLUTCH RELEASE DEVICE



Picture

Page 1 from 1

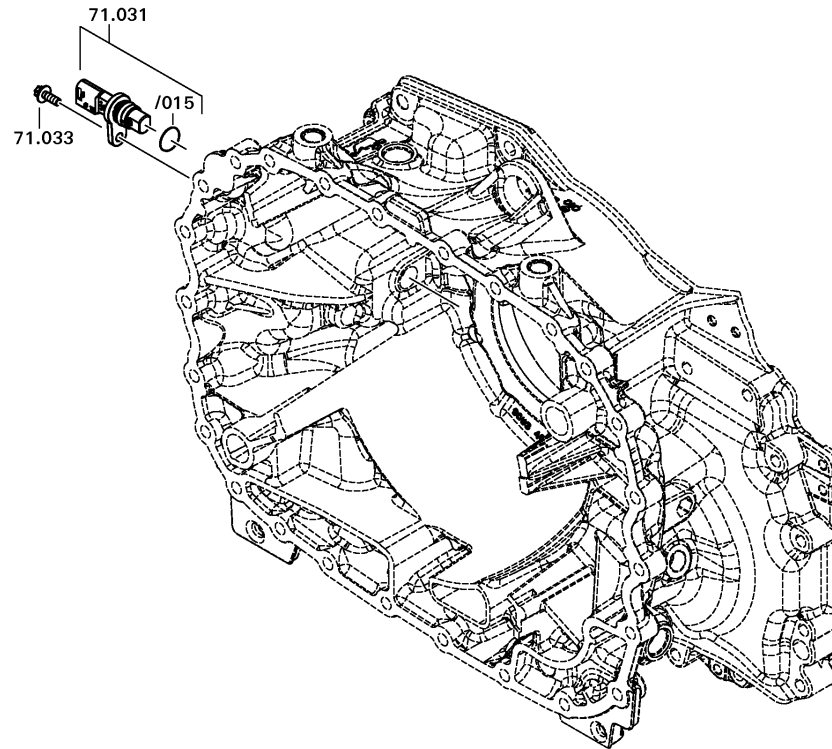
Material number: 1372.040.039

Picture: 194.071.001-1

Material-assembly-group-no: 1358.171.009



12 TX 2211 TD / ()
CONNECTION



Picture

Page 1 from 1

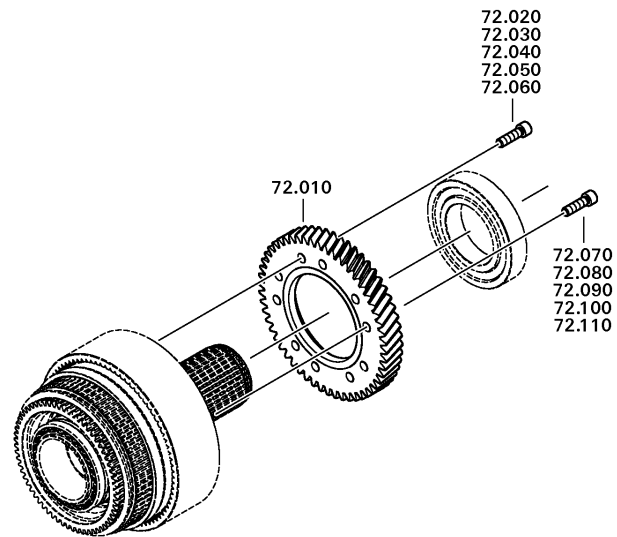
Material number: 1372.040.039

Picture: 194.072.001-1

Material-assembly-group-no: 1358.172.002



12 TX 2211 TD / ()
IMPULSRAD



Assembly group overview

Page 1 from 1



Material number: 6093.060.097

12 TX 2211 TD / ()

Picture	Pos.	Material number	Name	Quantity	Amend. no.	Techn. Info.
	910	6093.001.011	IT 3 TRUCK	1		
155.C2.03-1	916	6070.010.004	EST 54 T	1		
155.E2.01-1	920	6093.109.800	ANCHORAGE	1		
155.F5.001-1	990	6070.110.144	SOFTWARE	1	Z00047164610	

Picture

Page 1 from 1

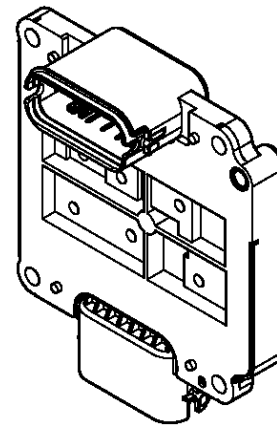
Material number: 6093.060.097

Picture: 155.C2.03-1

Material-assembly-group-no: 6070.010.004



12 TX 2211 TD / ()
EST 54 T



Picture

Page 1 from 1

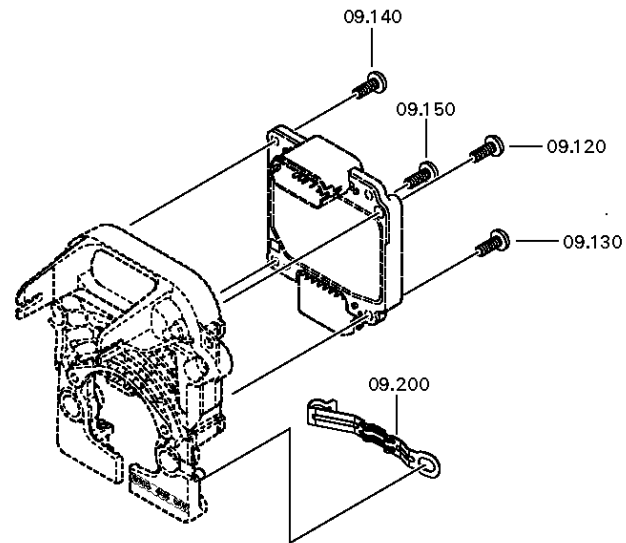
Material number: 6093.060.097

Picture: 155.E2.01-1

Material-assembly-group-no: 6093.109.800



12 TX 2211 TD / ()
ANCHORAGE



Picture

Page 1 from 1

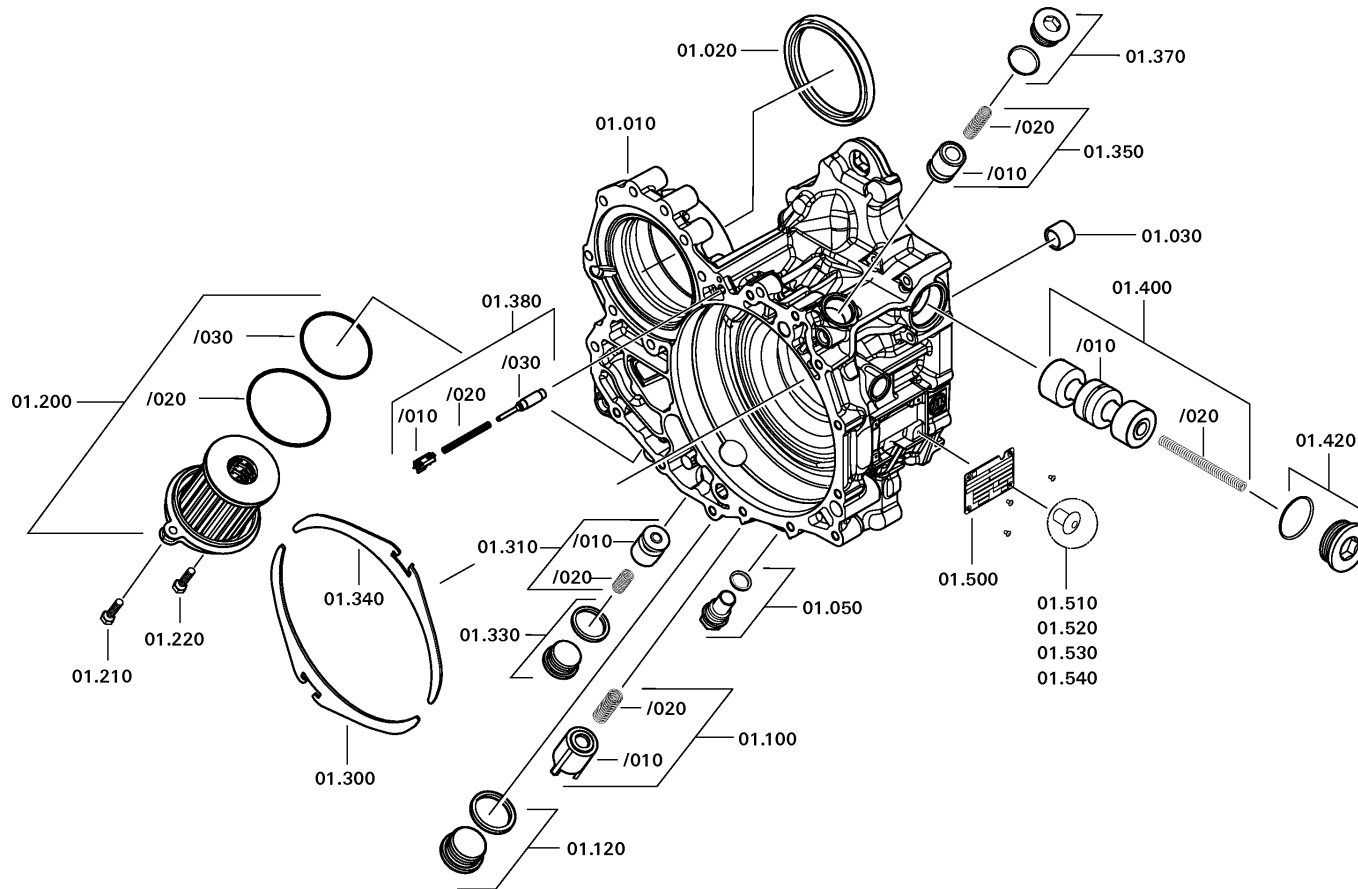
Material number: 6093.001.011

Picture: 155.001.012-1

Material-assembly-group-no: 6093.101.012



12 TX 2211 TD / ()
HOUSING



Picture

Page 1 from 3

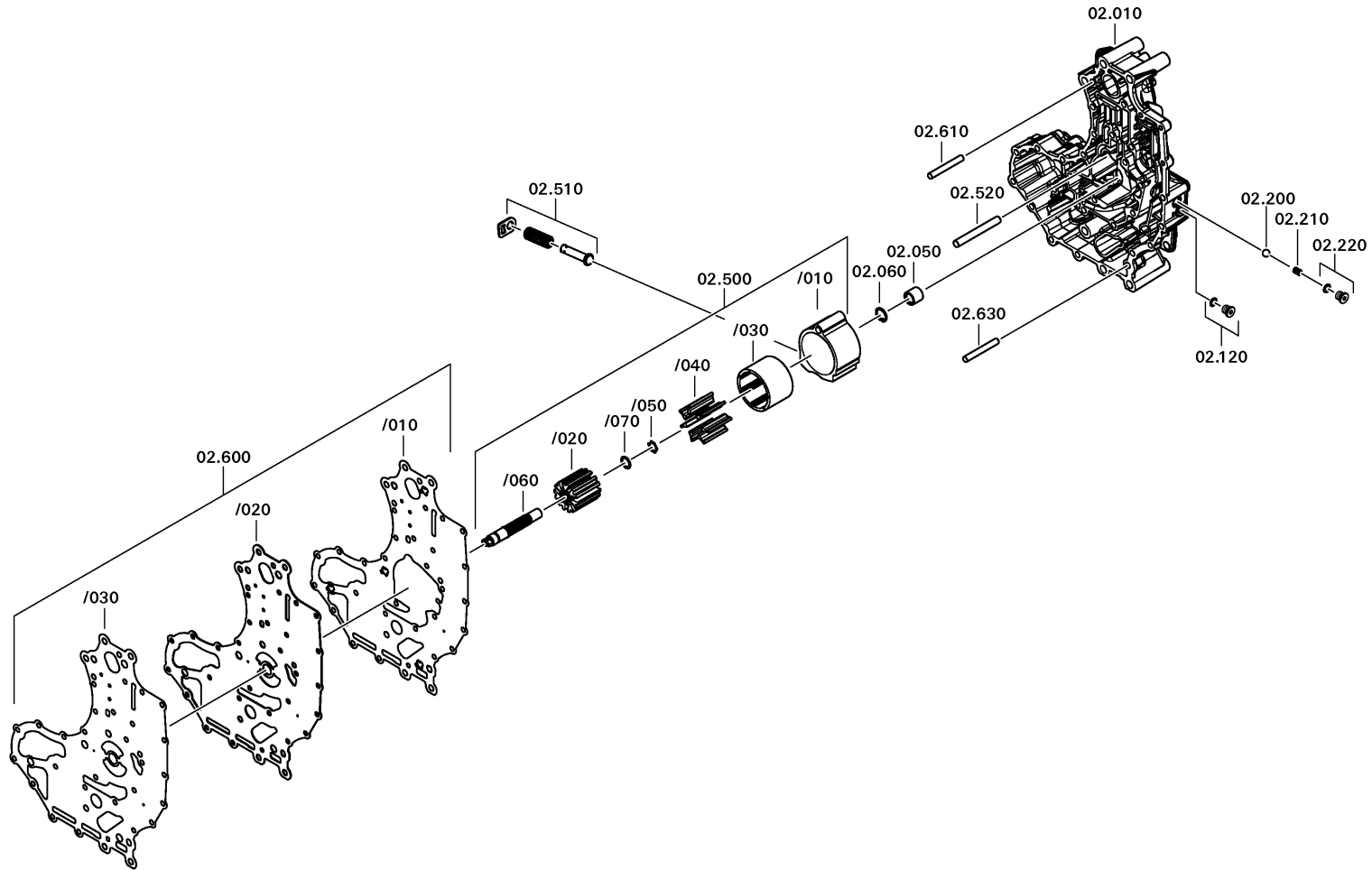
Material number: 6093.001.011

Picture: 155.002.001-1

Material-assembly-group-no: 6093.102.002



12 TX 2211 TD / ()
CONTROL UNIT



Picture

Page 2 from 3

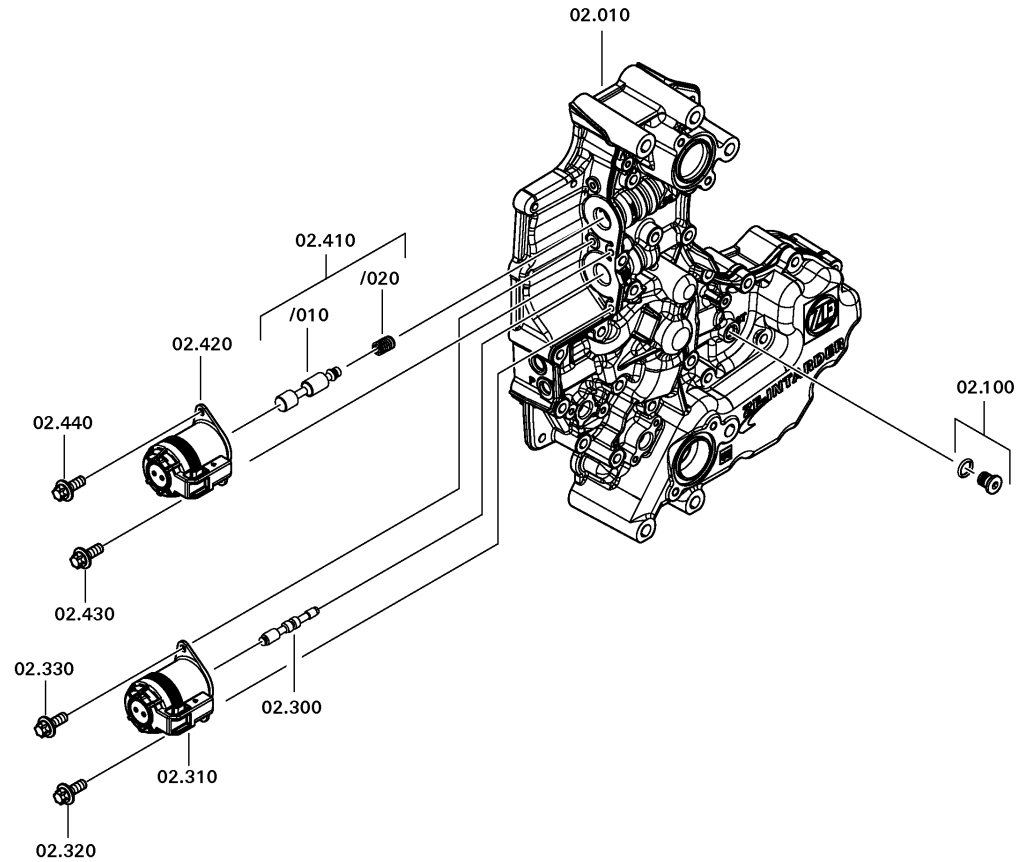
Material number: 6093.001.011

Picture: 155.002.001-2

Material-assembly-group-no: 6093.102.002



12 TX 2211 TD / ()
CONTROL UNIT



Picture

Page 3 from 3

Material number: 6093.001.011

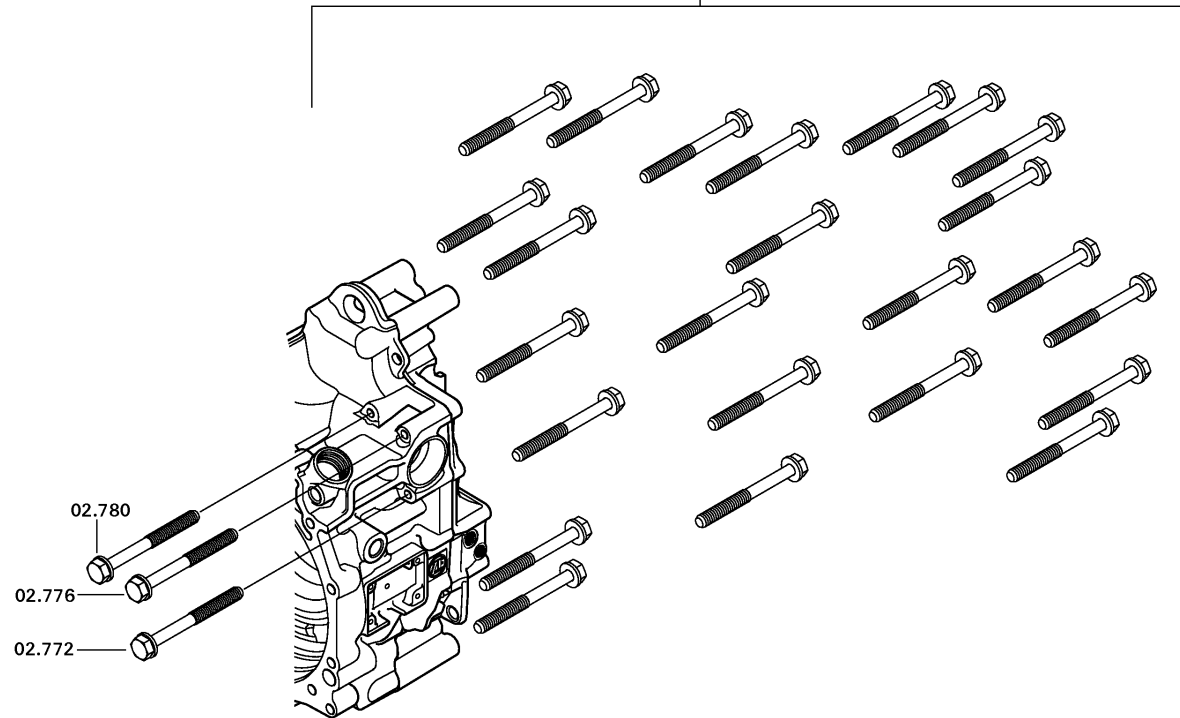
Picture: 155.002.080-1

Material-assembly-group-no: 6093.102.002



12 TX 2211 TD / ()
CONTROL UNIT

02.700	02.716	02.732	02.748	02.764	02.792
02.704	02.720	02.736	02.752	02.768	02.796
02.708	02.724	02.740	02.756	02.784	02.800
02.712	02.728	02.744	02.760	02.788	02.804



Picture

Page 1 from 2

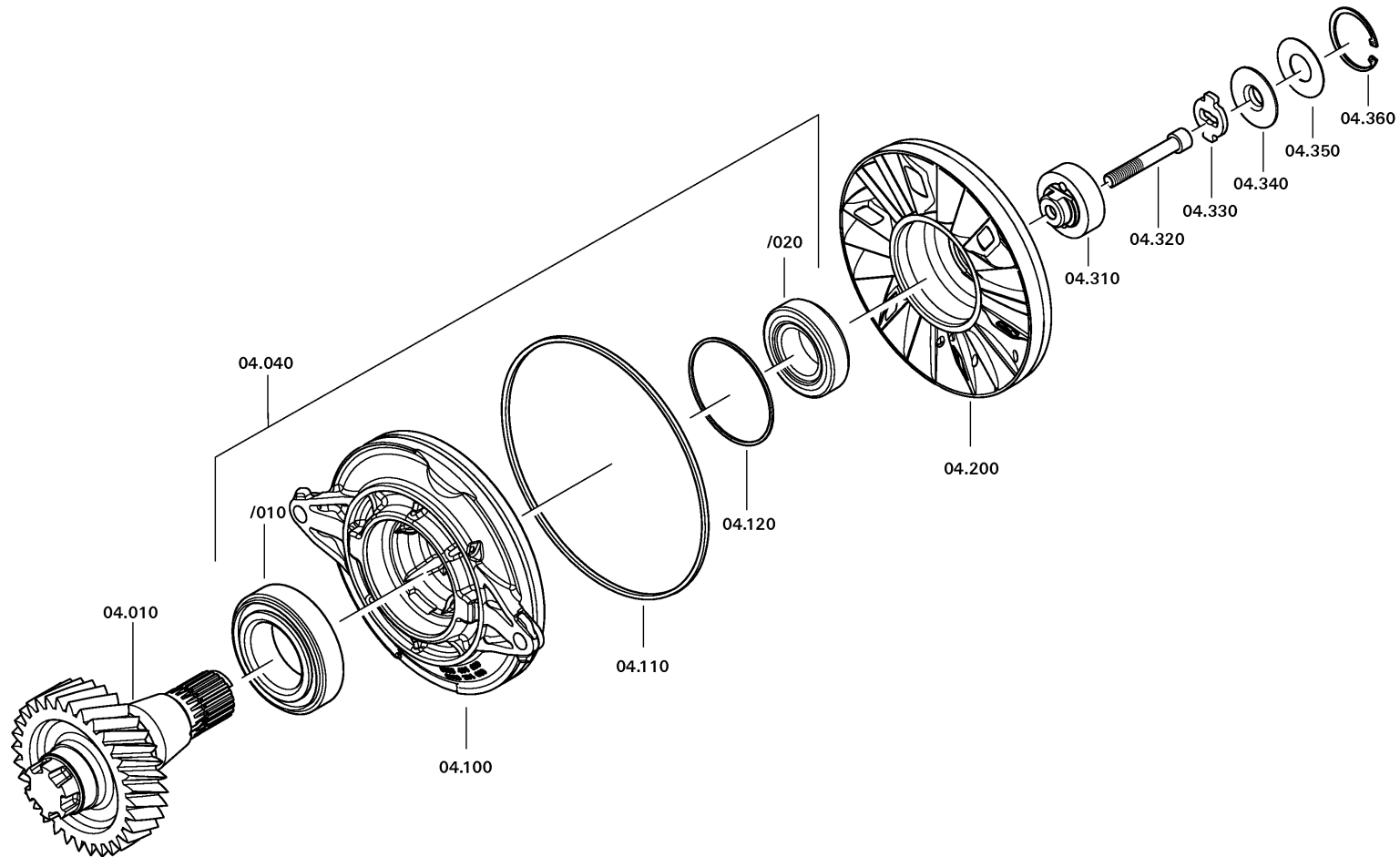
Material number: 6093.001.011

Picture: 155.04.02-1

Material-assembly-group-no: 6093.104.008



12 TX 2211 TD / ()
RETARDER



Picture

Page 2 from 2

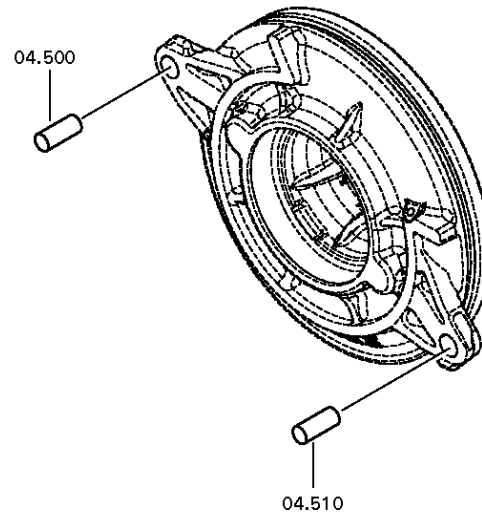
Material number: 6093.001.011

Picture: 155.04.80-1

Material-assembly-group-no: 6093.104.008



12 TX 2211 TD / ()
RETARDER



Picture

Page 1 from 2

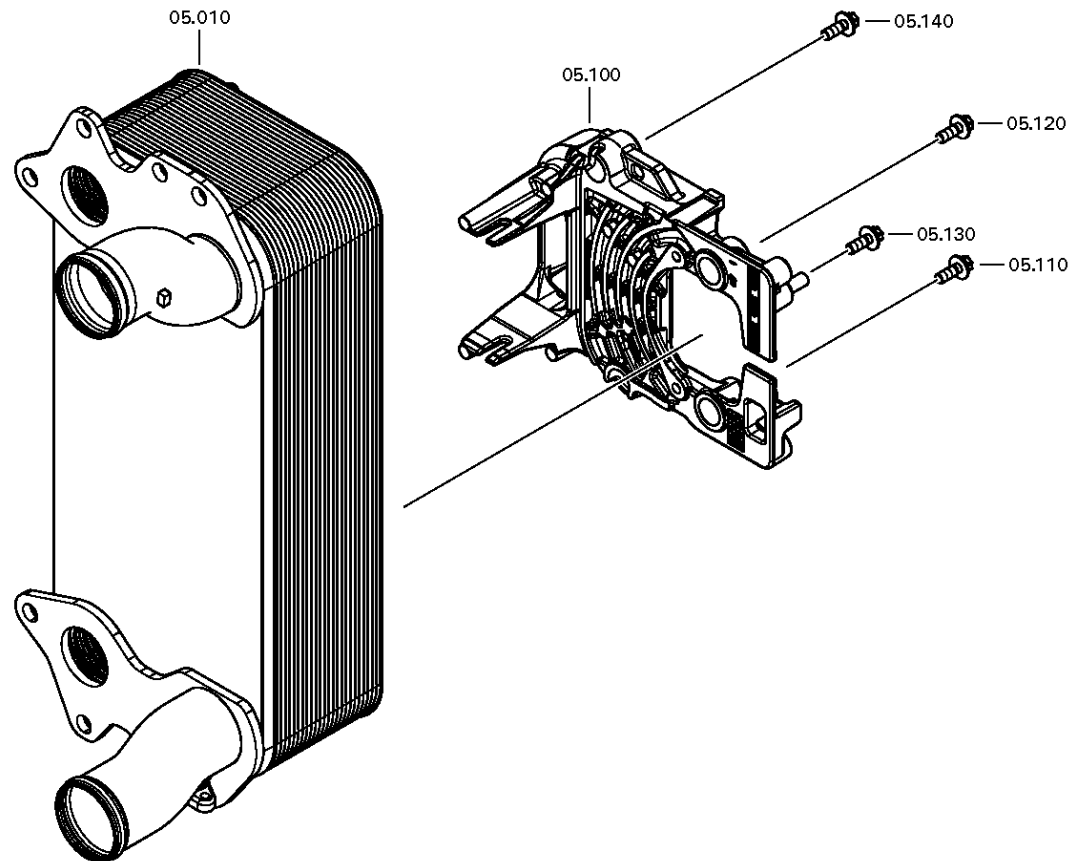
Material number: 6093.001.011

Picture: 155.05.03-1

Material-assembly-group-no: 6093.105.008



12 TX 2211 TD / ()
HEAT EXCHANGER



Picture

Page 2 from 2

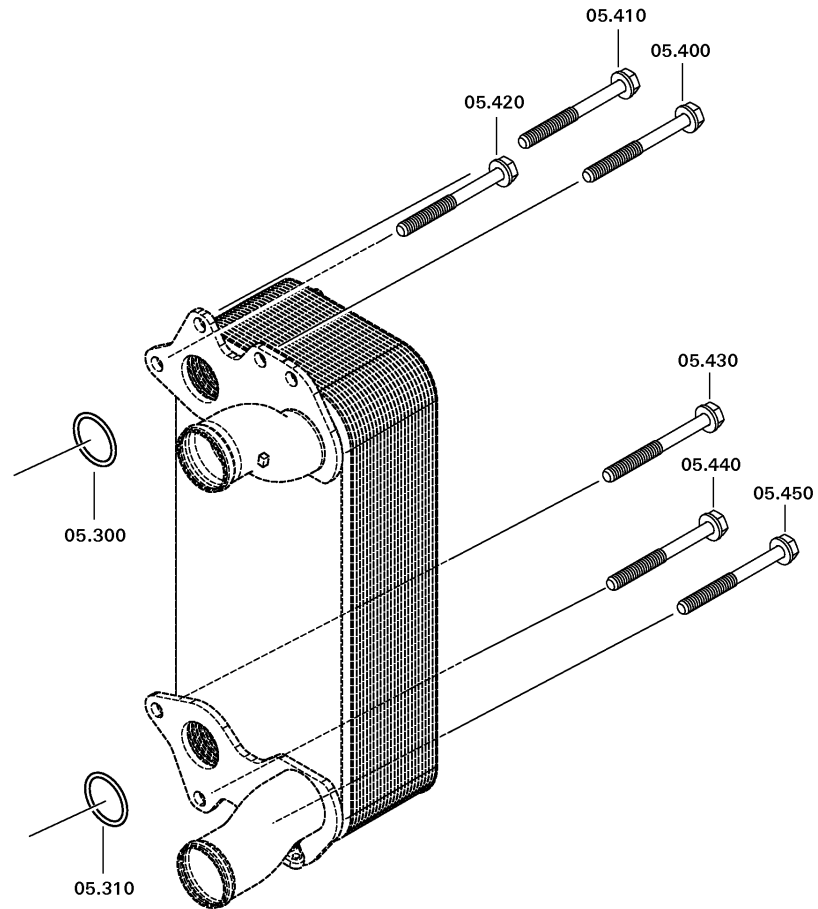
Material number: 6093.001.011

Picture: 155.005.081-1

Material-assembly-group-no: 6093.105.008



12 TX 2211 TD / ()
HEAT EXCHANGER



Picture

Page 1 from 3

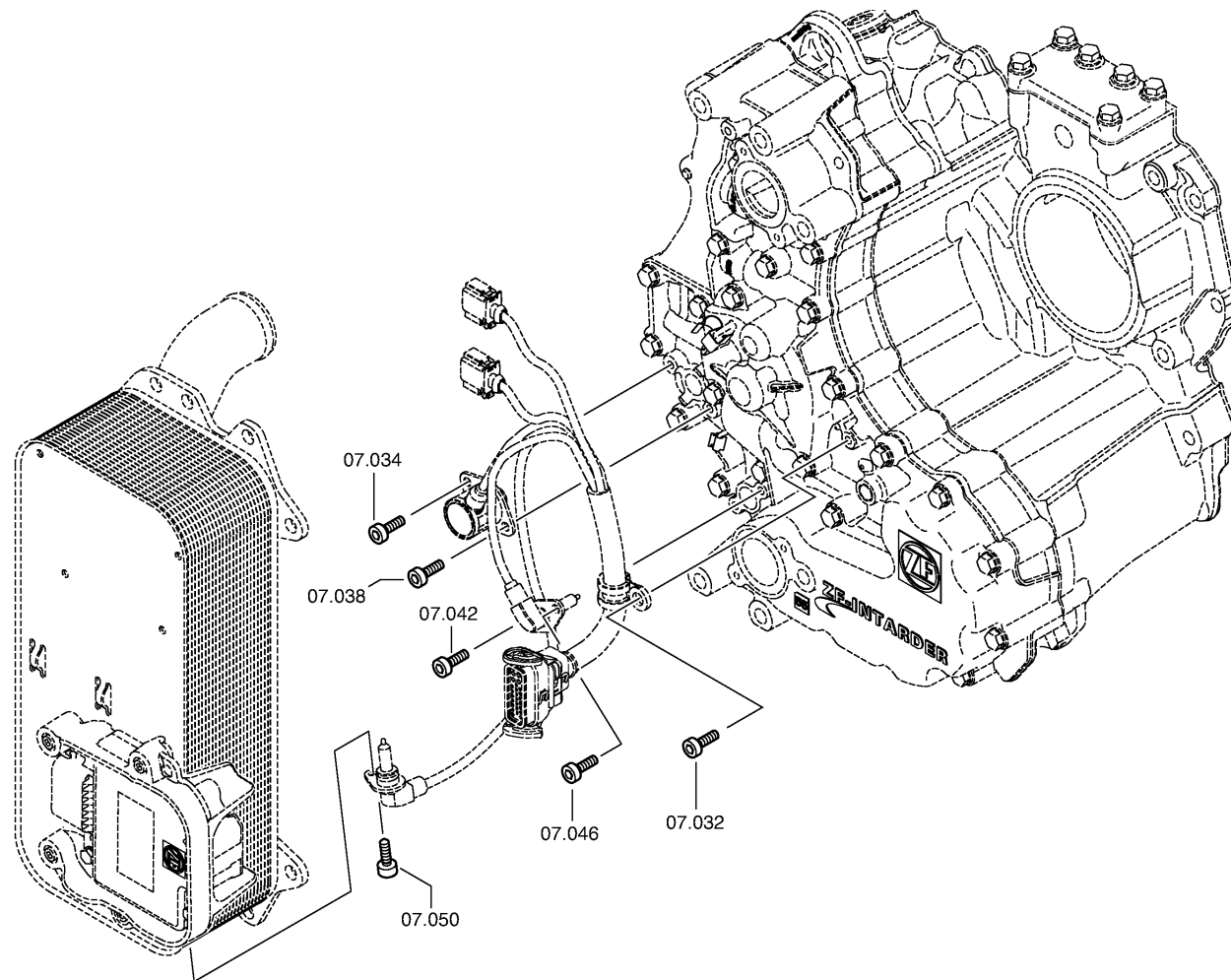
Material number: 6093.001.011

Picture: 155.07.03-1

Material-assembly-group-no: 6093.107.003



12 TX 2211 TD / ()
WIRING



Picture

Page 3 from 3

Material number: 6093.001.011

Picture: 155.07.03-3

Material-assembly-group-no: 6093.107.003



12 TX 2211 TD / ()
WIRING

