



# Spare Parts Catalog

4 WG 190

()

Material number: 4657.024.164

Current date: 24.03.2026

ZF Friedrichshafen AG  
Hauptverwaltung  
80038 Friedrichshafen  
Deutschland

Telefon: +49 7541 77-0

Telefax: +49 7541 77-908000

[www.zf.com](http://www.zf.com)

zuständiges Werk:  
Passau

# Picture

Page 1 from 1

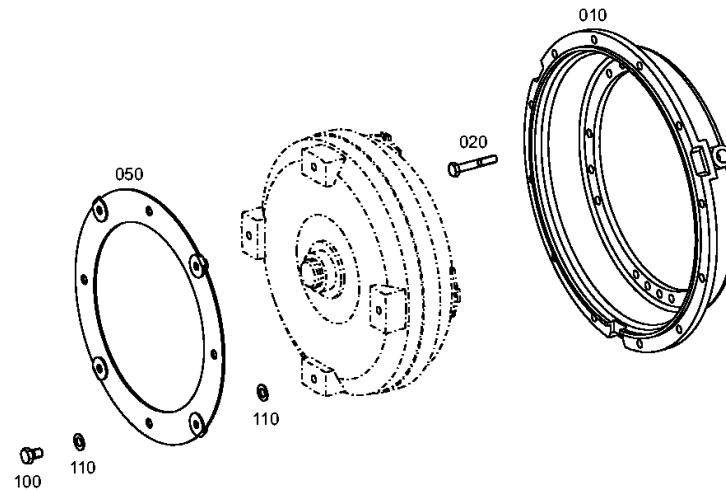
Material number: 4657.024.164

Picture: 465713007400

Material-assembly-group-no: 4657.130.074



4 WG 190 / ()  
ENGINE CONNECTION



# Picture

Page 1 from 1

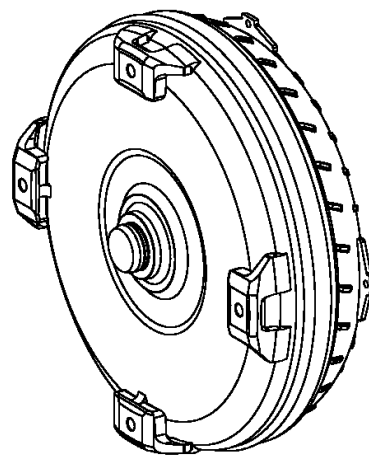
Material number: 4657.024.164

Picture: 416603407900

Material-assembly-group-no: 4166.034.079



4 WG 190 / ()  
CONVERTER



010

# Picture

Page 1 from 1

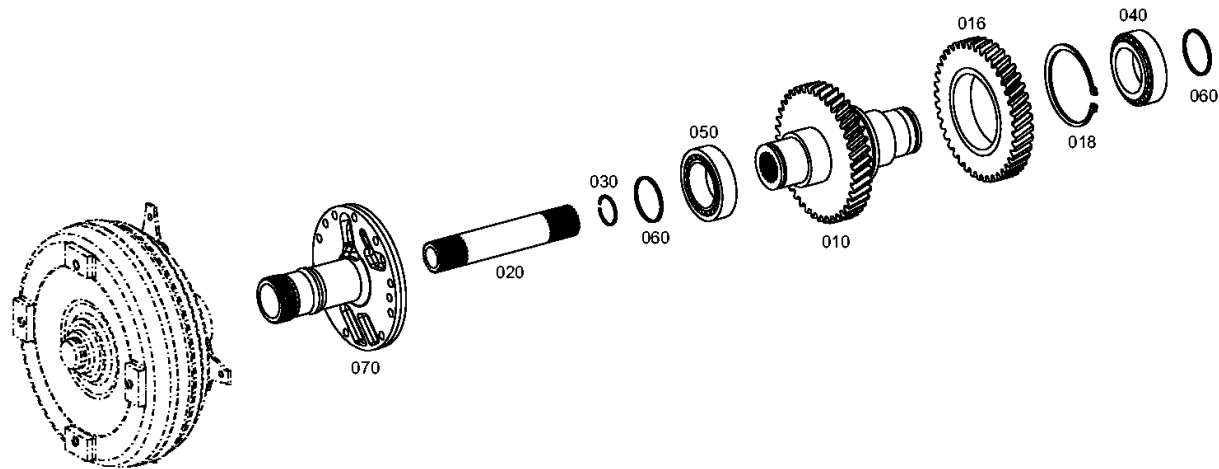
Material number: 4657.024.164

Picture: 465710202600

Material-assembly-group-no: 4657.102.026



4 WG 190 / ()  
INPUT



# Picture

Page 1 from 3

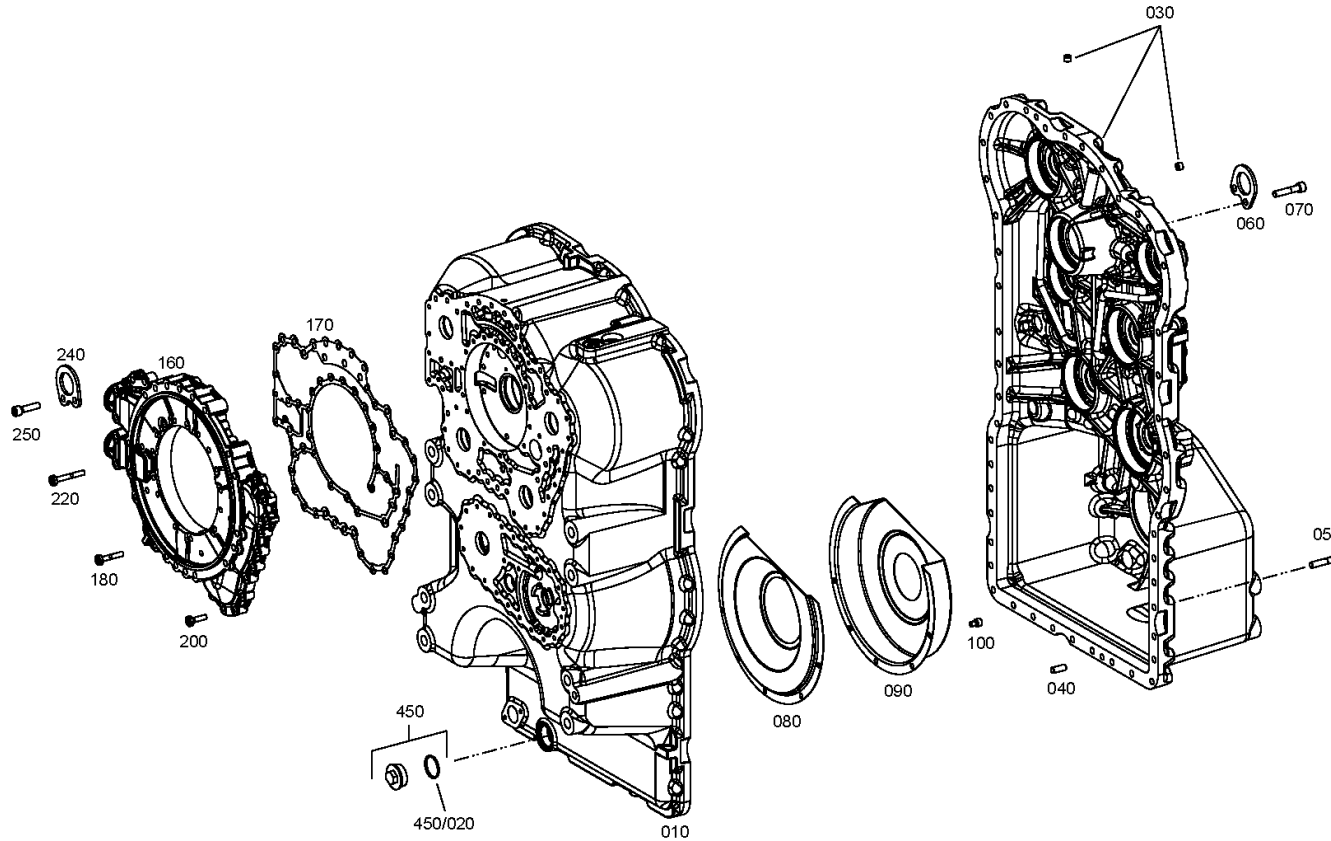
Material number: 4657.024.164

Picture: 465710107801

Material-assembly-group-no: 4657.101.078



4 WG 190 / ()  
TRANSMISSION HOUSING



# Picture

Page 2 from 3

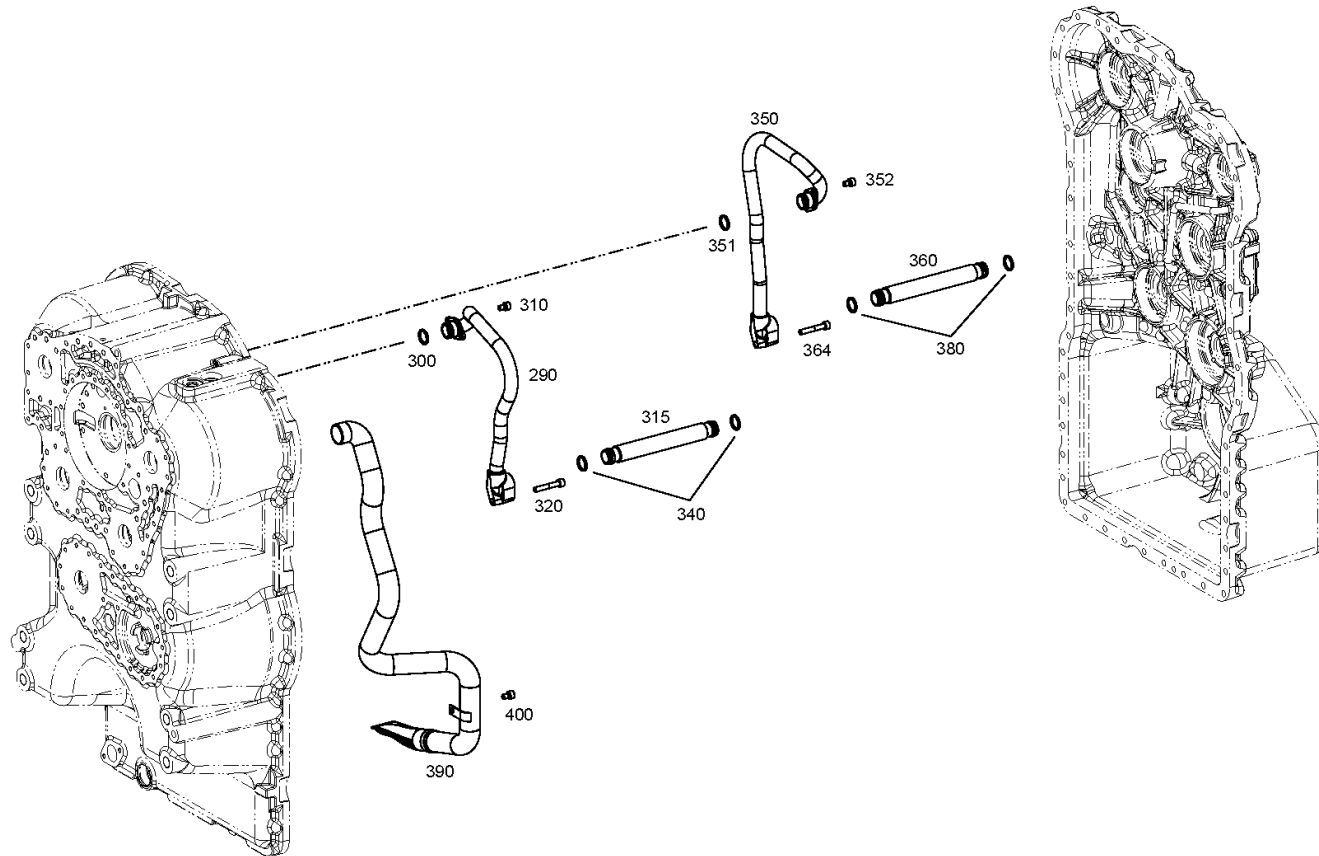
Material number: 4657.024.164

Picture: 465710107802

Material-assembly-group-no: 4657.101.078



4 WG 190 / ()  
TRANSMISSION HOUSING



# Picture

Page 3 from 3

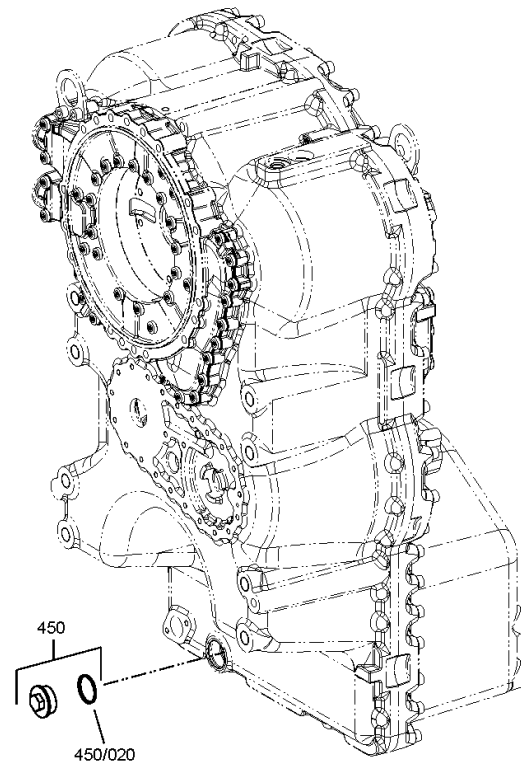
Material number: 4657.024.164

Picture: 465710107880

Material-assembly-group-no: 4657.101.078



4 WG 190 / ()  
TRANSMISSION HOUSING



# Picture

Page 1 from 1

Material number: 4657.024.164

Picture: 414313900100

Material-assembly-group-no: 4143.139.001



4 WG 190 / ()  
TYPE PLATE



# Picture

Page 1 from 1

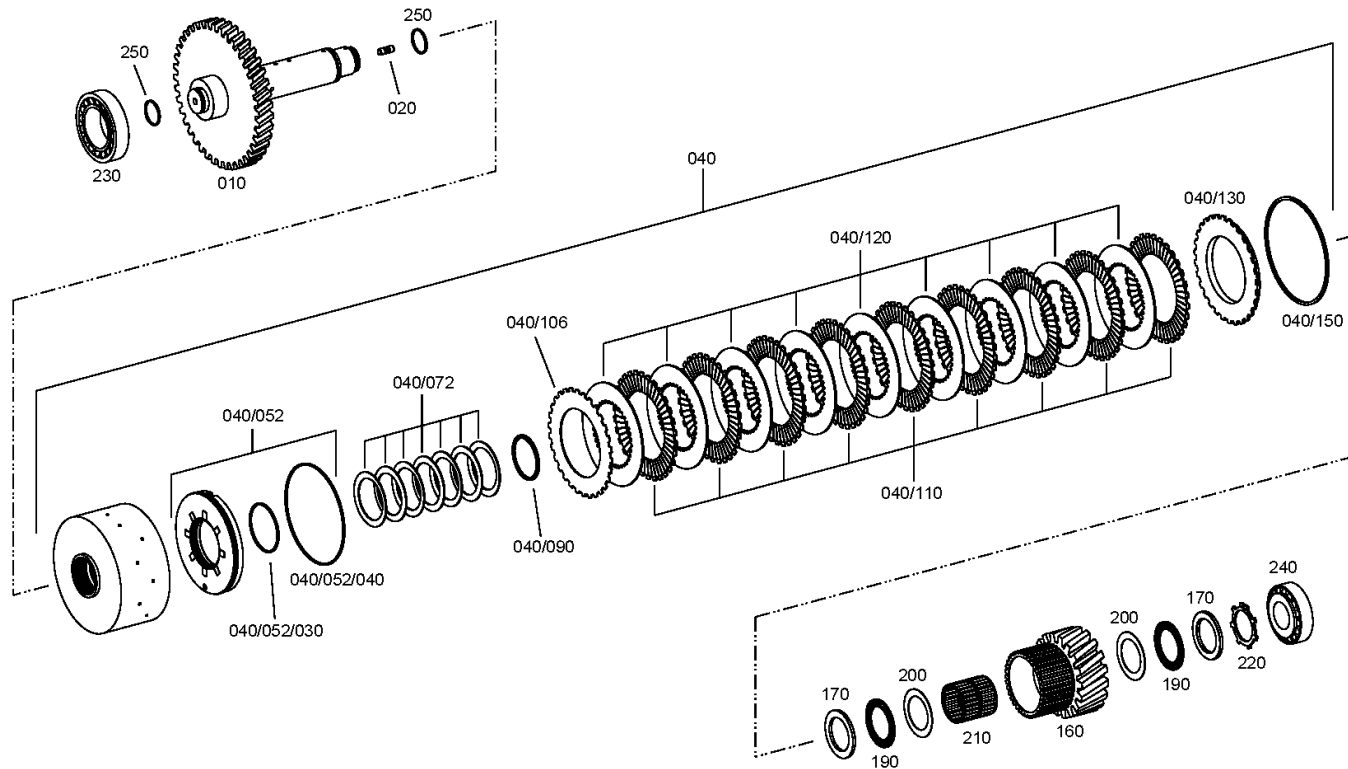
Material number: 4657.024.164

Picture: 465717103200

Material-assembly-group-no: 4657.171.032



4 WG 190 / ()  
COUPLING



# Picture

Page 1 from 1

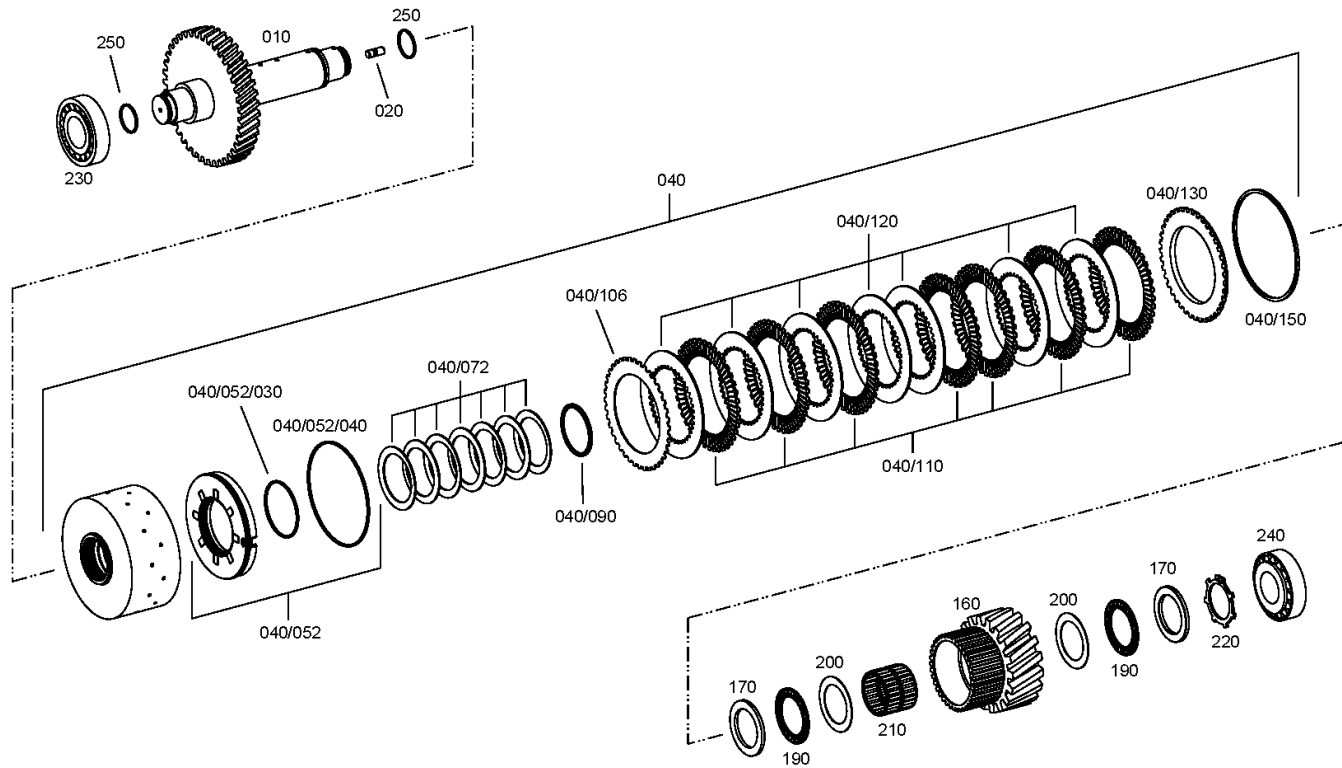
Material number: 4657.024.164

Picture: 465717202400

Material-assembly-group-no: 4657.172.024



4 WG 190 / ()  
COUPLING



# Picture

Page 1 from 1

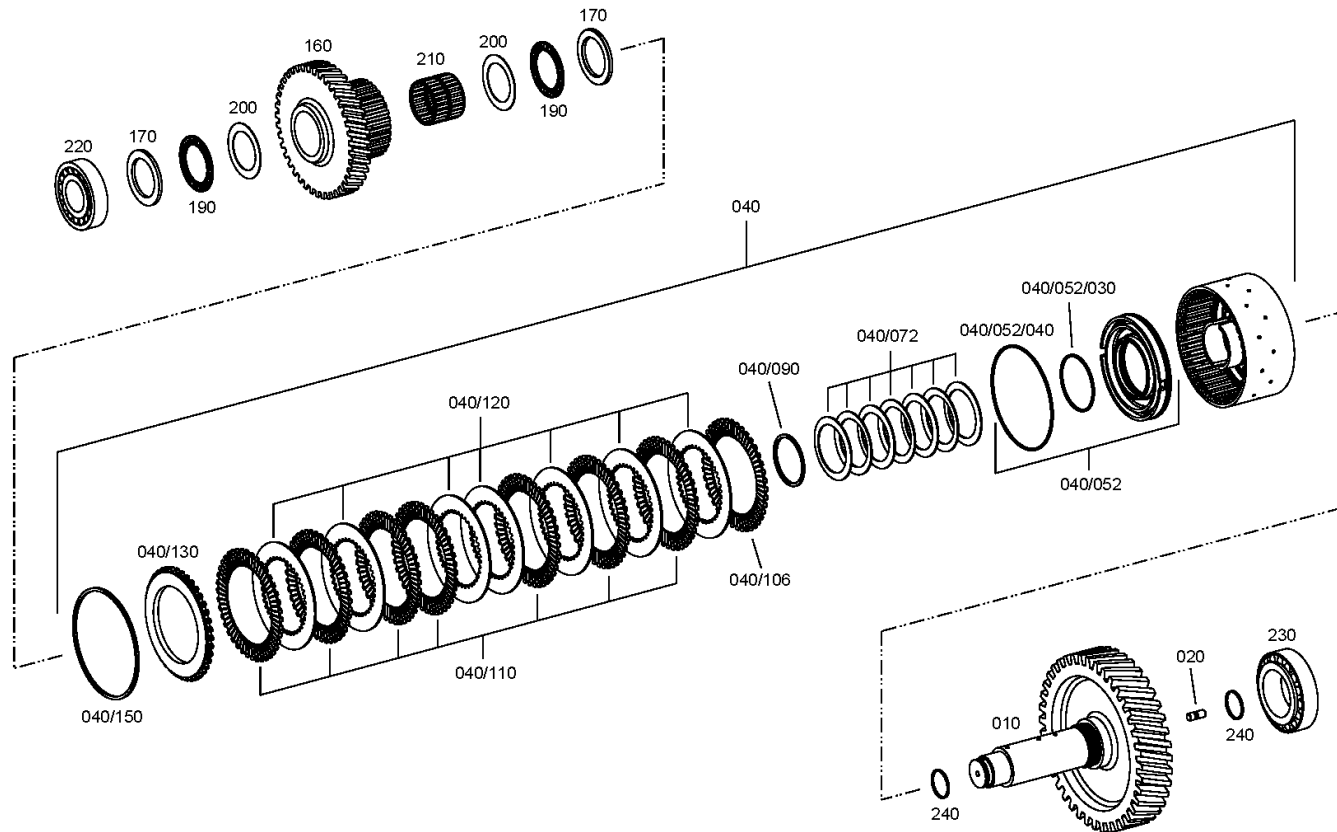
Material number: 4657.024.164

Picture: 465717301800

Material-assembly-group-no: 4657.173.018



4 WG 190 / ()  
COUPLING



# Picture

Page 1 from 1

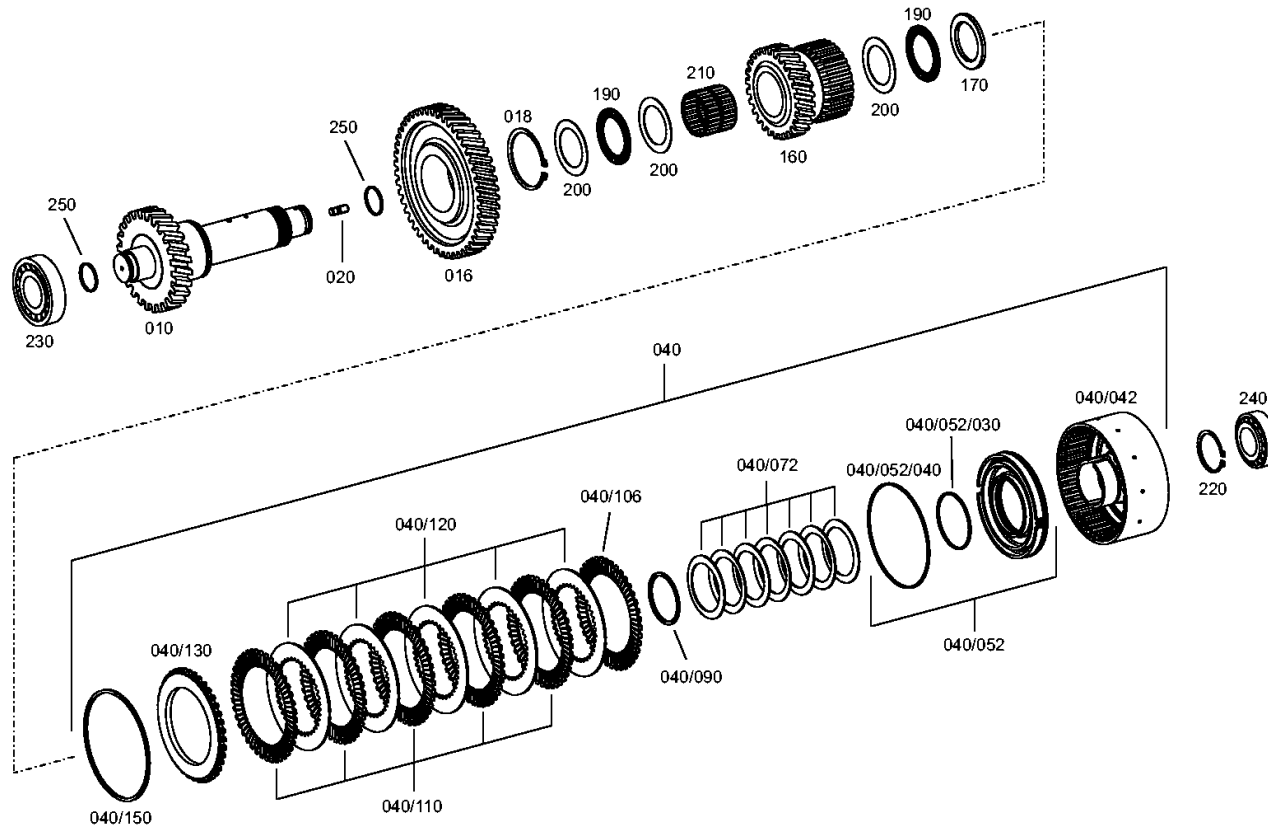
Material number: 4657.024.164

Picture: 465717404400

Material-assembly-group-no: 4657.174.044



4 WG 190 / ()  
COUPLING



# Picture

Page 1 from 1

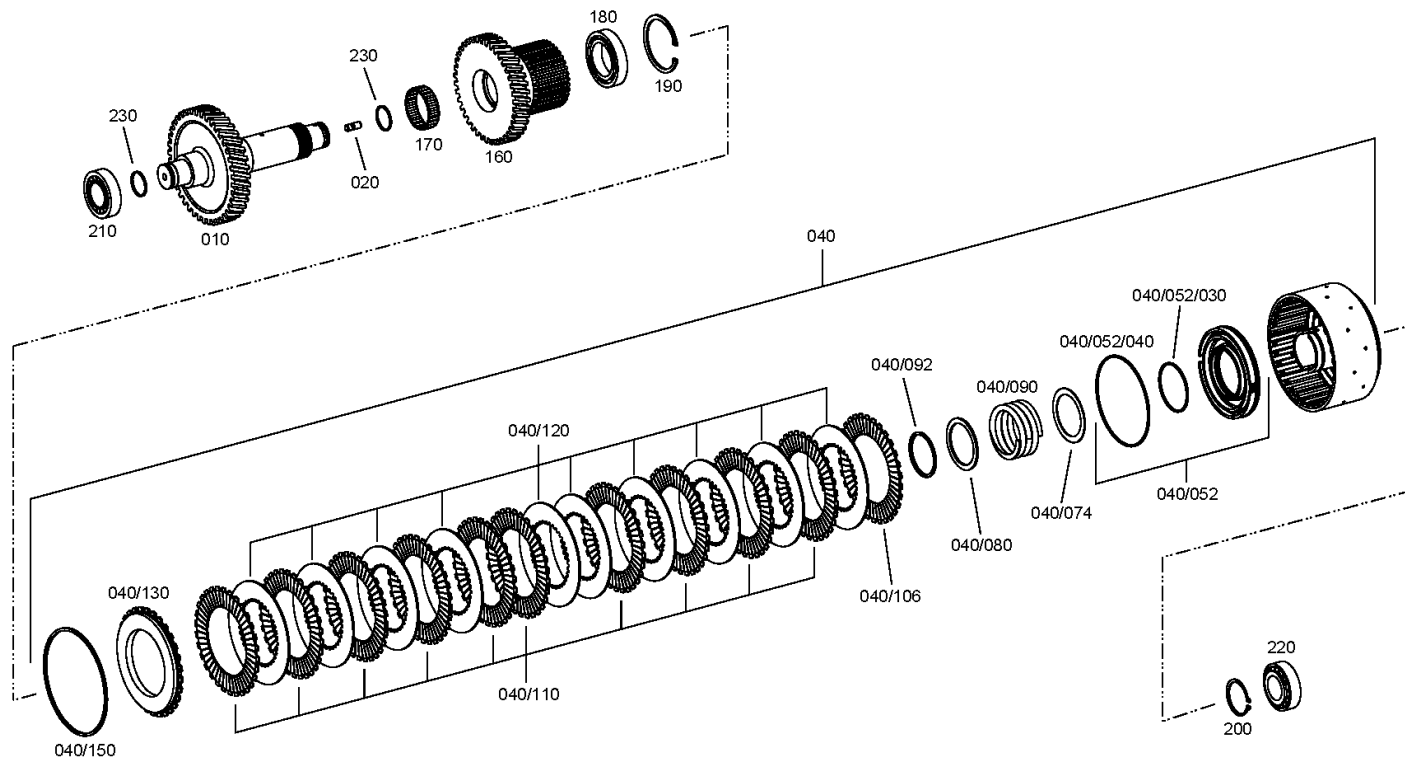
Material number: 4657.024.164

Picture: 465717501500

Material-assembly-group-no: 4657.175.015



4 WG 190 / ()  
COUPLING





# Picture

Page 1 from 2

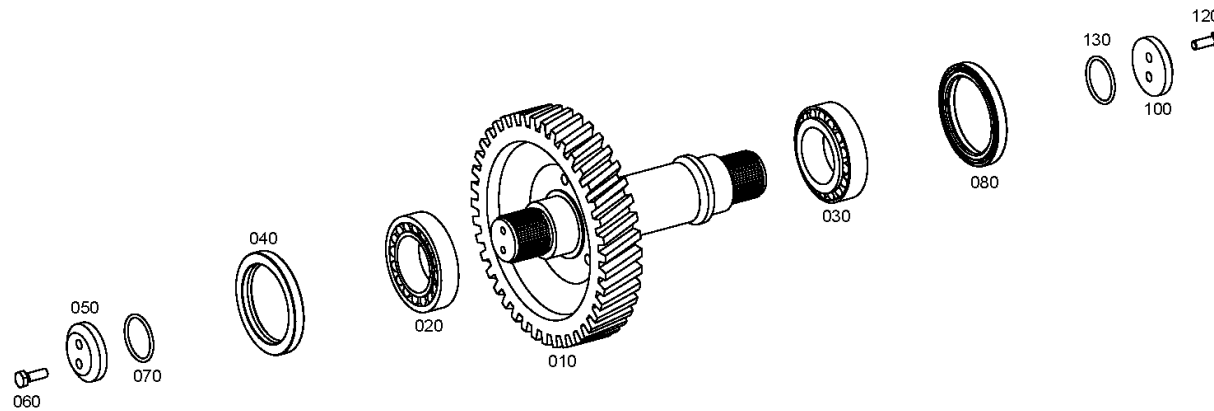
Material number: 4657.024.164

Picture: 465710300600

Material-assembly-group-no: 4657.103.006



4 WG 190 / ()  
OUTPUT



# Picture

Page 2 from 2

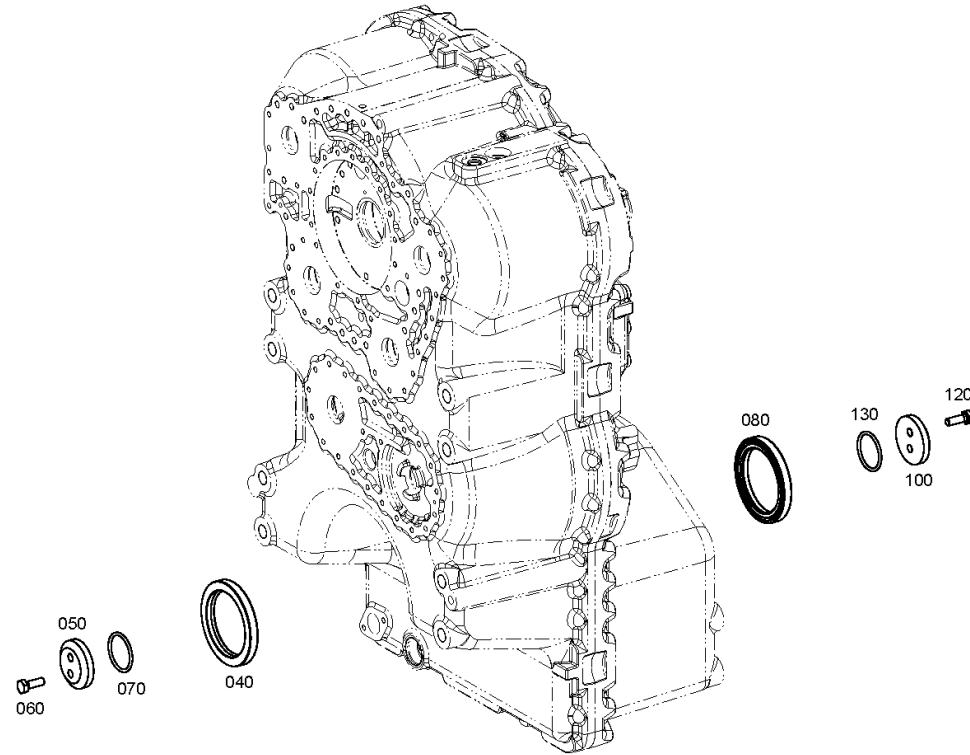
Material number: 4657.024.164

Picture: 465710300680

Material-assembly-group-no: 4657.103.006



4 WG 190 / ()  
OUTPUT



# Picture

Page 1 from 1

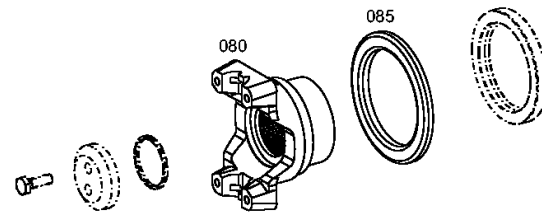
Material number: 4657.024.164

Picture: 465710340600

Material-assembly-group-no: 4657.103.406



4 WG 190 / ()  
OUTPUT



# Picture

Page 1 from 1

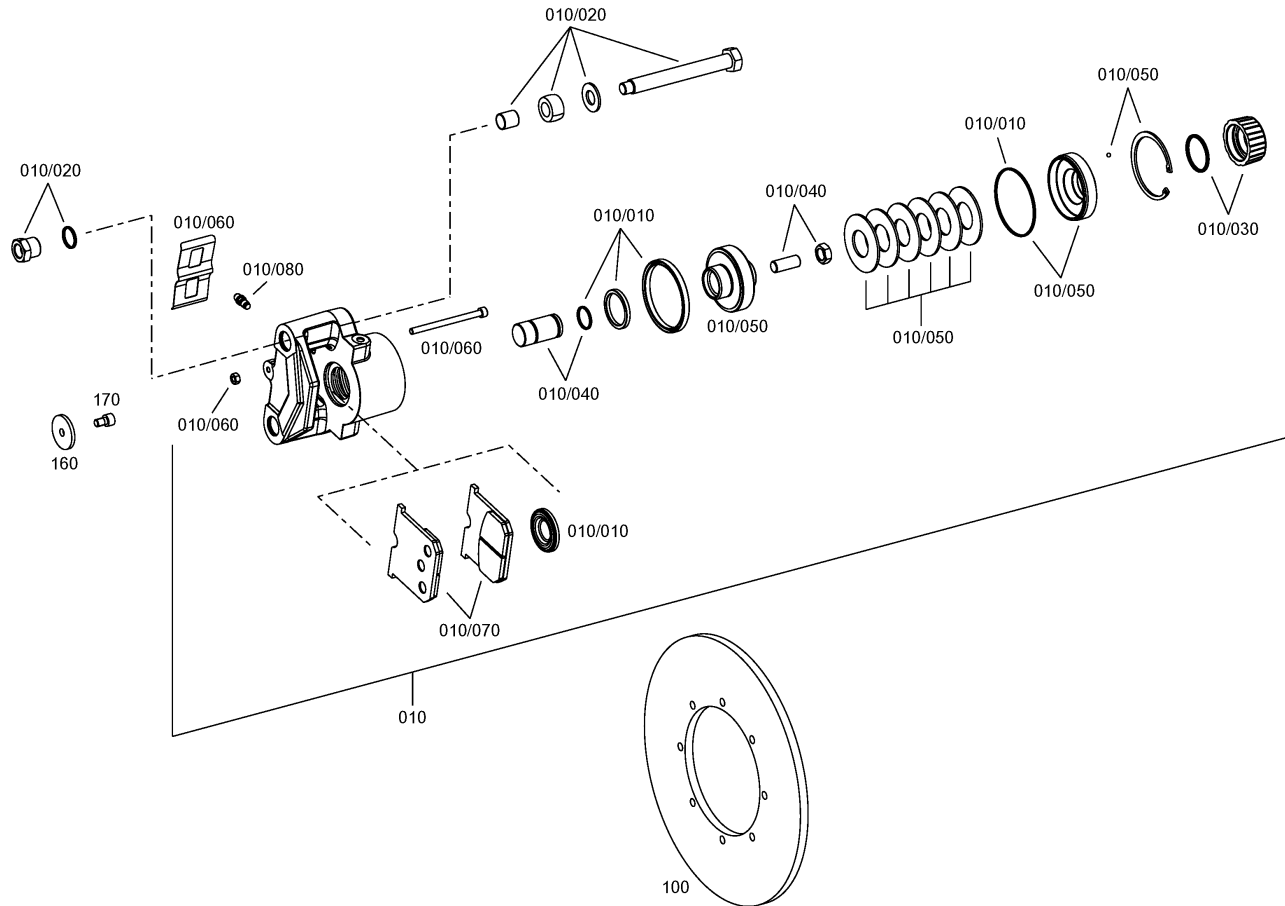
Material number: 4657.024.164

Picture: 465610901800

Material-assembly-group-no: 4656.109.018



4 WG 190 / ()  
PARKING BRAKE



# Picture

Page 1 from 1

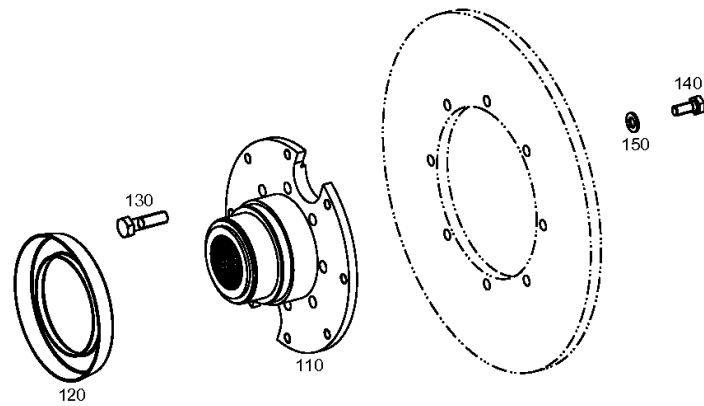
Material number: 4657.024.164

Picture: 465710942700

Material-assembly-group-no: 4657.109.427



4 WG 190 / ()  
PARKING BRAKE



# Picture

Page 1 from 1

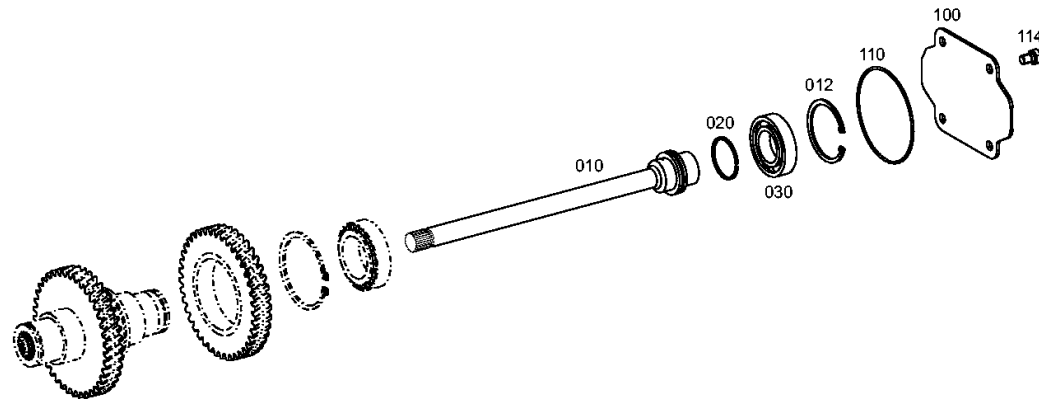
Material number: 4657.024.164

Picture: 465715400400

Material-assembly-group-no: 4657.154.004



4 WG 190 / ()  
POWER TAKE-OFF



# Picture

Page 1 from 2

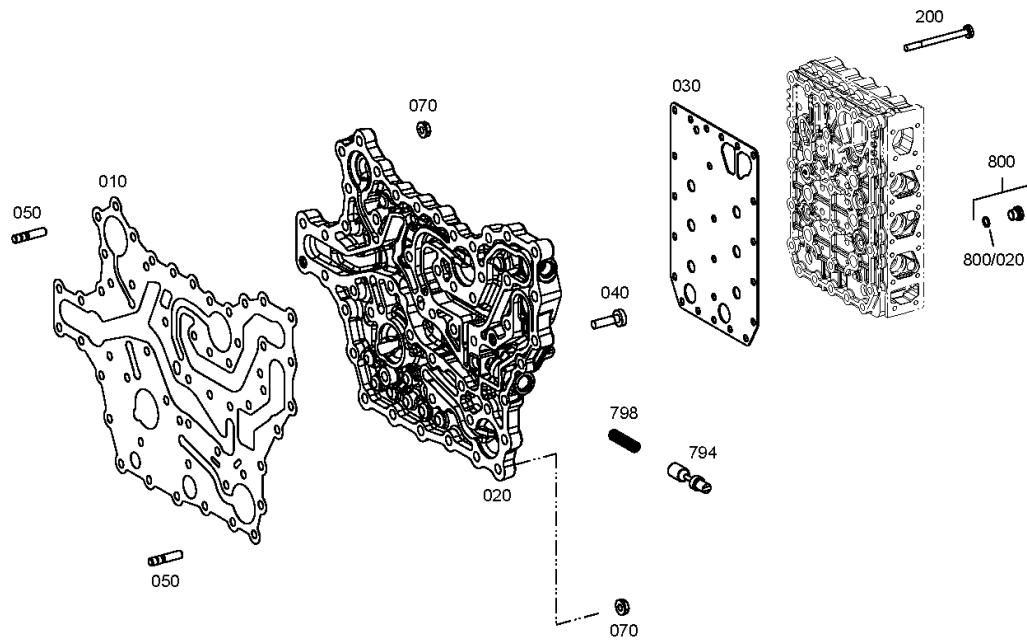
Material number: 4657.024.164

Picture: 465710601700

Material-assembly-group-no: 4657.106.017



4 WG 190 / ()  
SHIFT SYSTEM



# Picture

Page 2 from 2

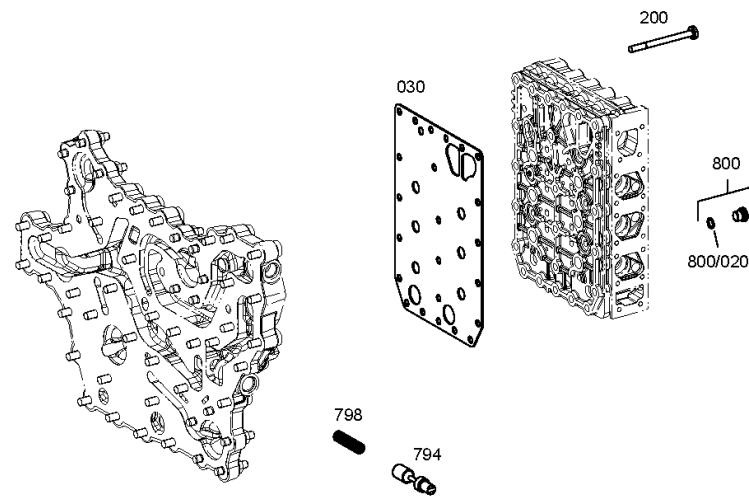
Material number: 4657.024.164

Picture: 465710601780

Material-assembly-group-no: 4657.106.017



4 WG 190 / ( )  
SHIFT SYSTEM



# Picture

Page 1 from 1

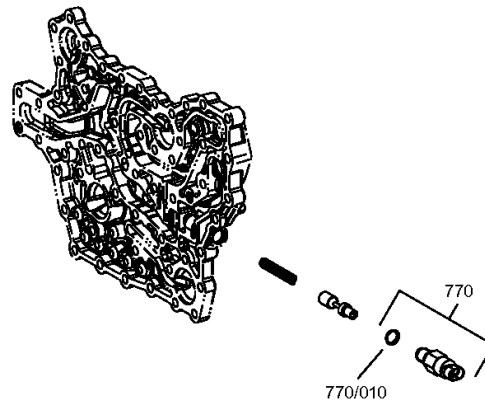
Material number: 4657.024.164

Picture: 465710640720

Material-assembly-group-no: 4657.106.407



4 WG 190 / ()  
SHIFT SYSTEM



# Picture

Page 1 from 2

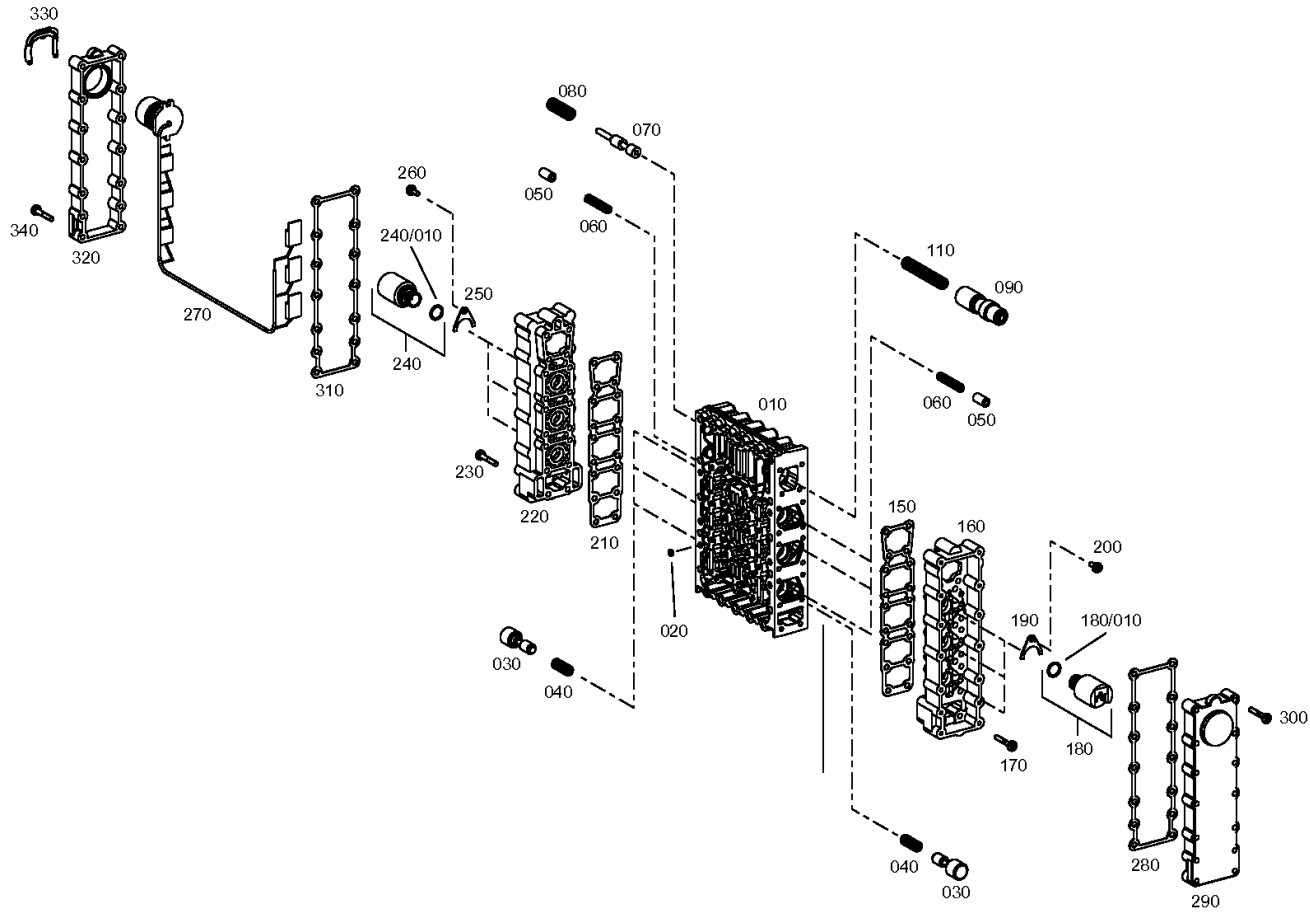
Material number: 4657.024.164

Picture: 465615901921

Material-assembly-group-no: 4656.159.019



4 WG 190 / ()  
SHIFT SYSTEM



# Picture

Page 2 from 2

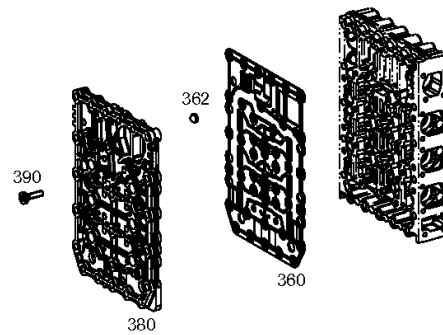
Material number: 4657.024.164

Picture: 465615901922

Material-assembly-group-no: 4656.159.019



4 WG 190 / ()  
SHIFT SYSTEM



# Picture

Page 1 from 1

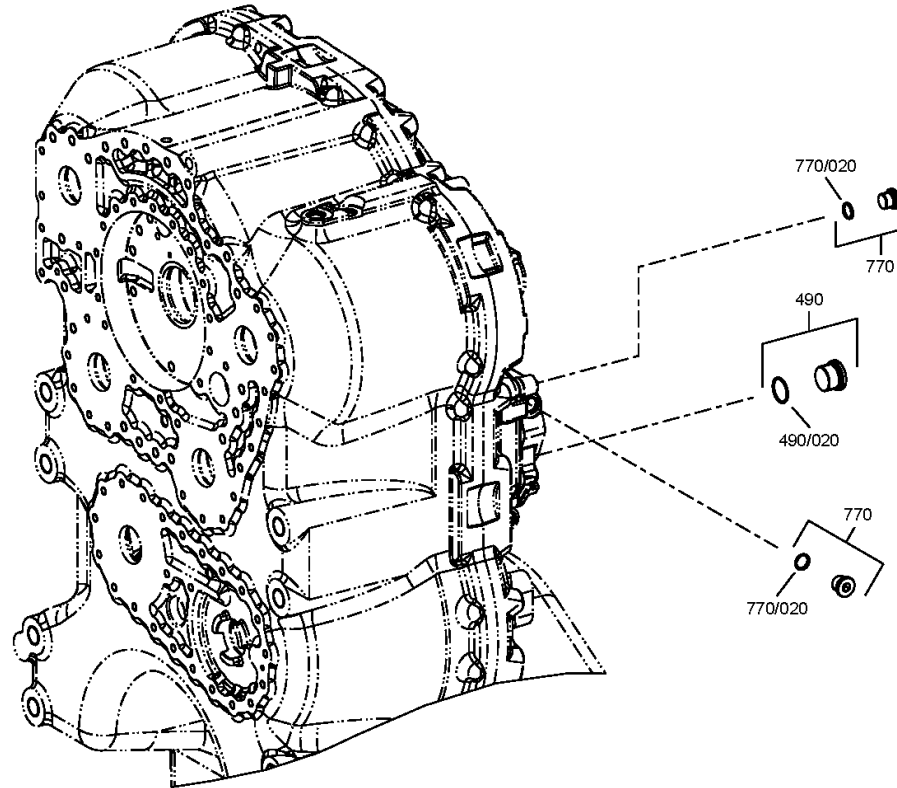
Material number: 4657.024.164

Picture: 465712300600

Material-assembly-group-no: 4657.123.006



4 WG 190 / ()  
CONTROL UNIT



# Picture

Page 1 from 1

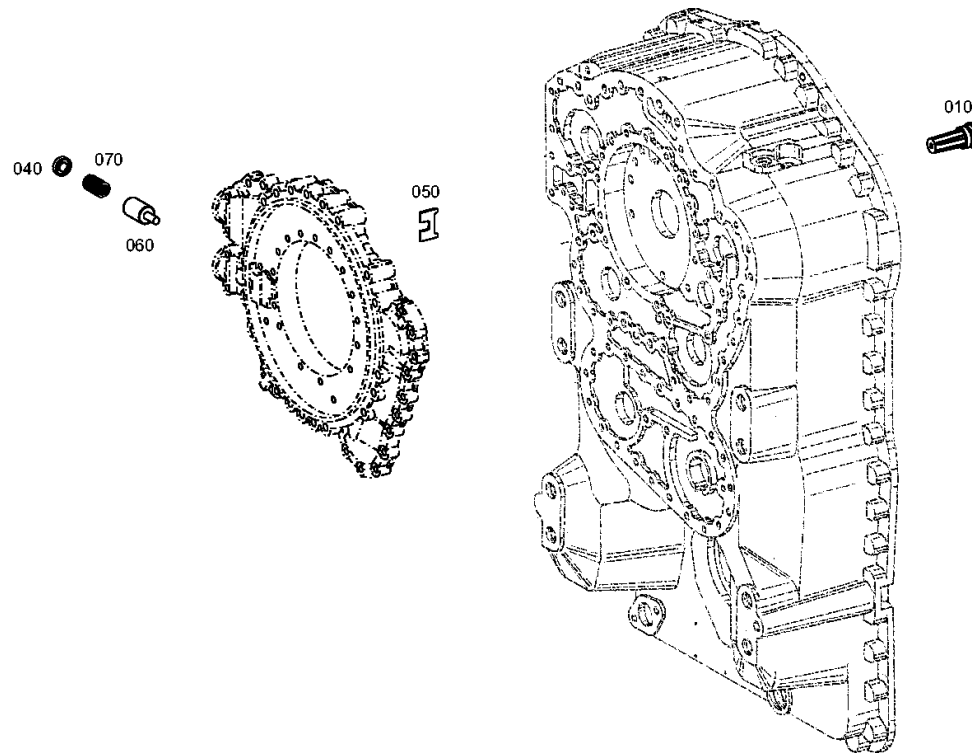
Material number: 4657.024.164

Picture: 465612000300

Material-assembly-group-no: 4656.120.003



4 WG 190 / ()  
PRESSURE REGULATOR



# Picture

Page 1 from 1

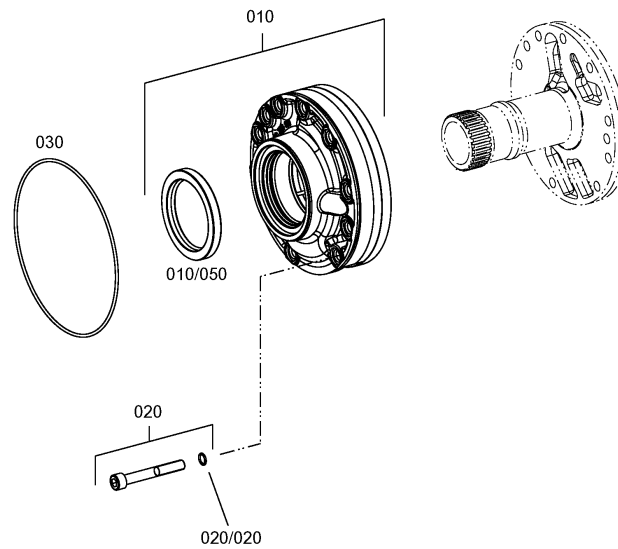
Material number: 4657.024.164

Picture: 465712200500

Material-assembly-group-no: 4657.122.005



4 WG 190 / ()  
PRESSURE OIL PUMP



# Picture

Page 1 from 1

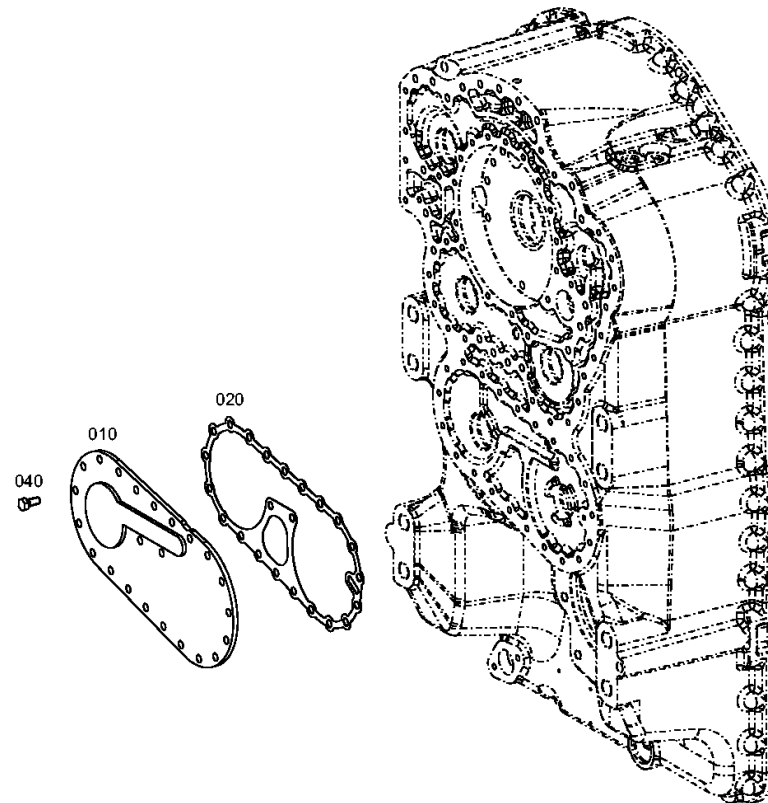
Material number: 4657.024.164

Picture: 465613700400

Material-assembly-group-no: 4656.137.004



4 WG 190 / ()  
EMERGENCY STEERING PUMP



# Picture

Page 1 from 1

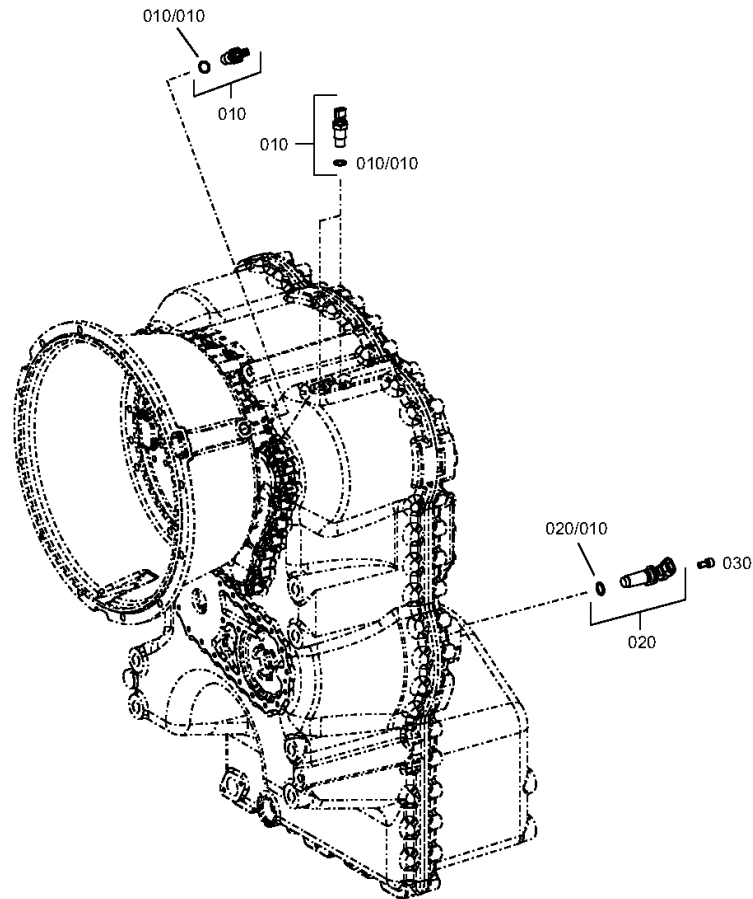
Material number: 4657.024.164

Picture: 465712500700

Material-assembly-group-no: 4657.125.007



4 WG 190 / ()  
INDUCTIVE SENSOR



# Picture

Page 1 from 1

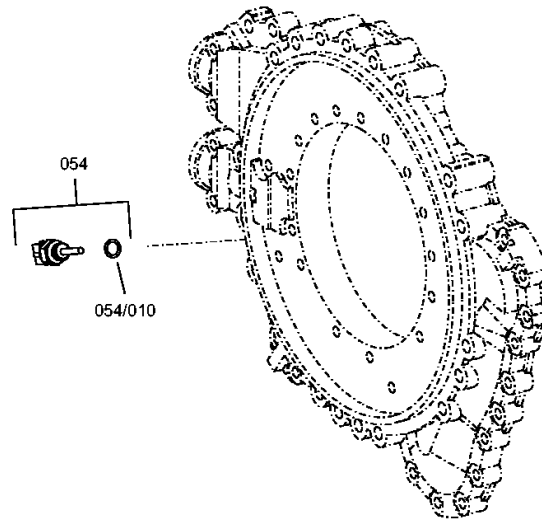
Material number: 4657.024.164

Picture: 465712400200

Material-assembly-group-no: 4657.124.002



4 WG 190 / ()  
TEMPERATURE SENSOR



# Picture

Page 1 from 1

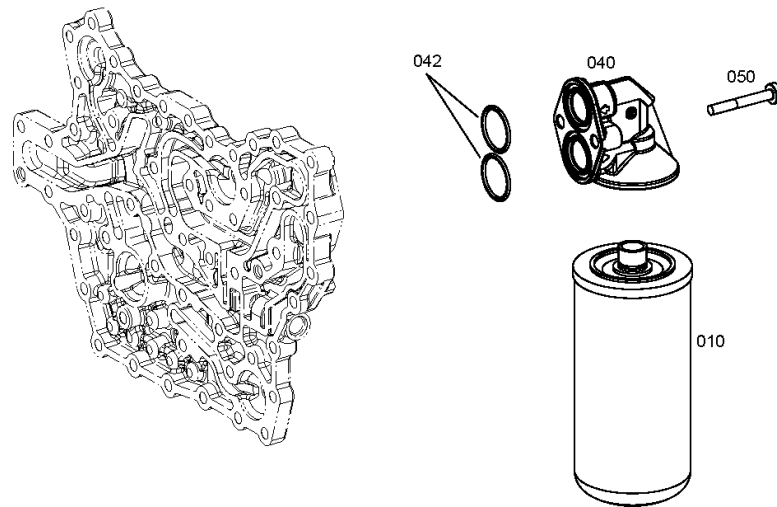
Material number: 4657.024.164

Picture: 465613801800

Material-assembly-group-no: 4656.138.018



4 WG 190 / ()  
FILTER



# Picture

Page 1 from 1

Material number: 4657.024.164

Picture: 465713101700

Material-assembly-group-no: 4657.131.017



4 WG 190 / ()  
FILLER NOZZLE

