



Spare Parts Catalog

5 HP 19

()

Material number: 1060.000.007

Current date: 24.03.2026

ZF Friedrichshafen AG
Hauptverwaltung
80038 Friedrichshafen
Deutschland

Telefon: +49 7541 77-0

Telefax: +49 7541 77-908000

www.zf.com

zuständiges Werk:
Saarbrücken

Picture

Page 1 from 1

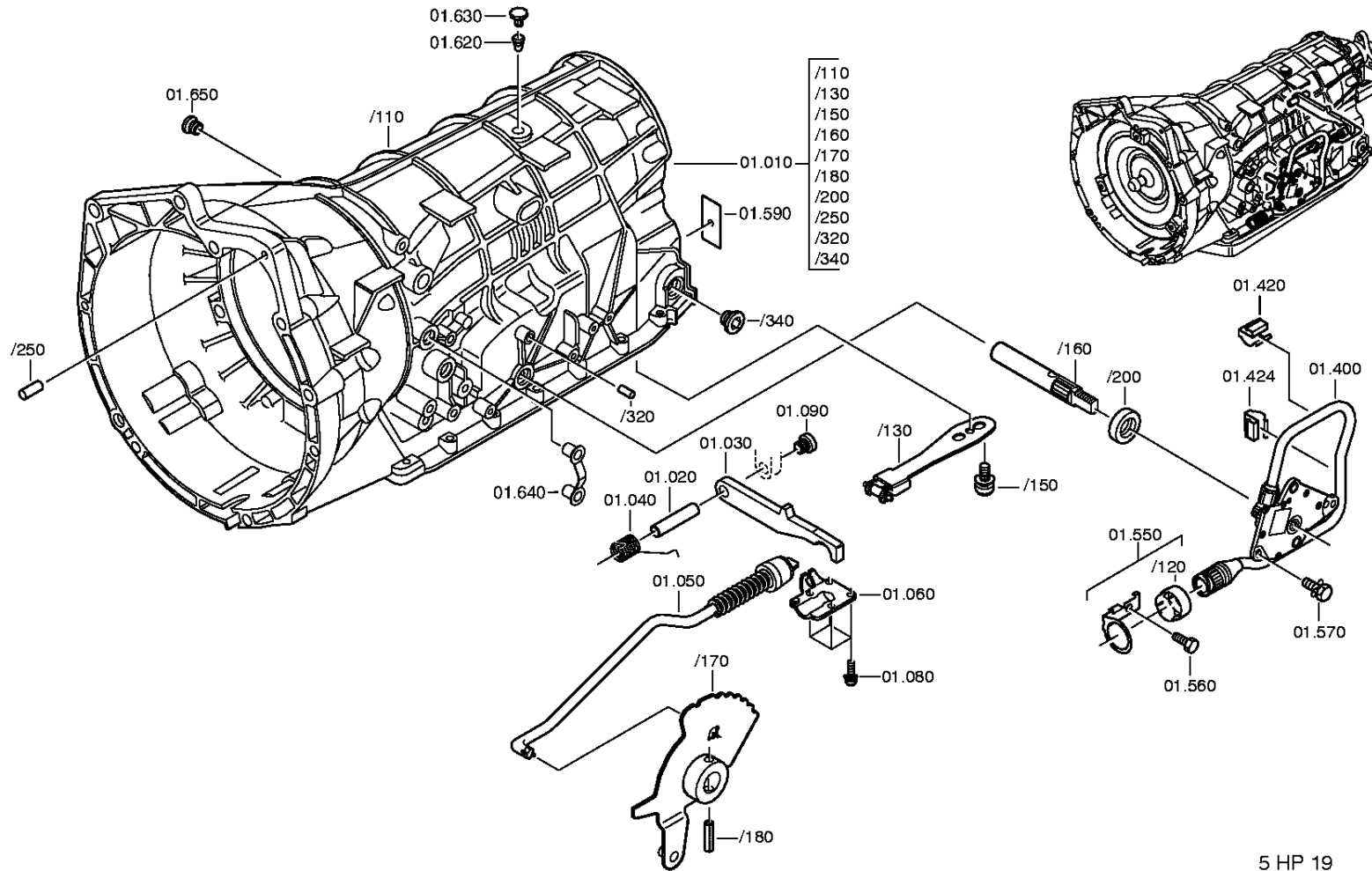
Material number: 1060.000.007

Picture: 098.01.09-1

Material-assembly-group-no: 1060.101.040



5 HP 19 / ()
TRANSMISSION HOUSING



Picture

Page 1 from 1

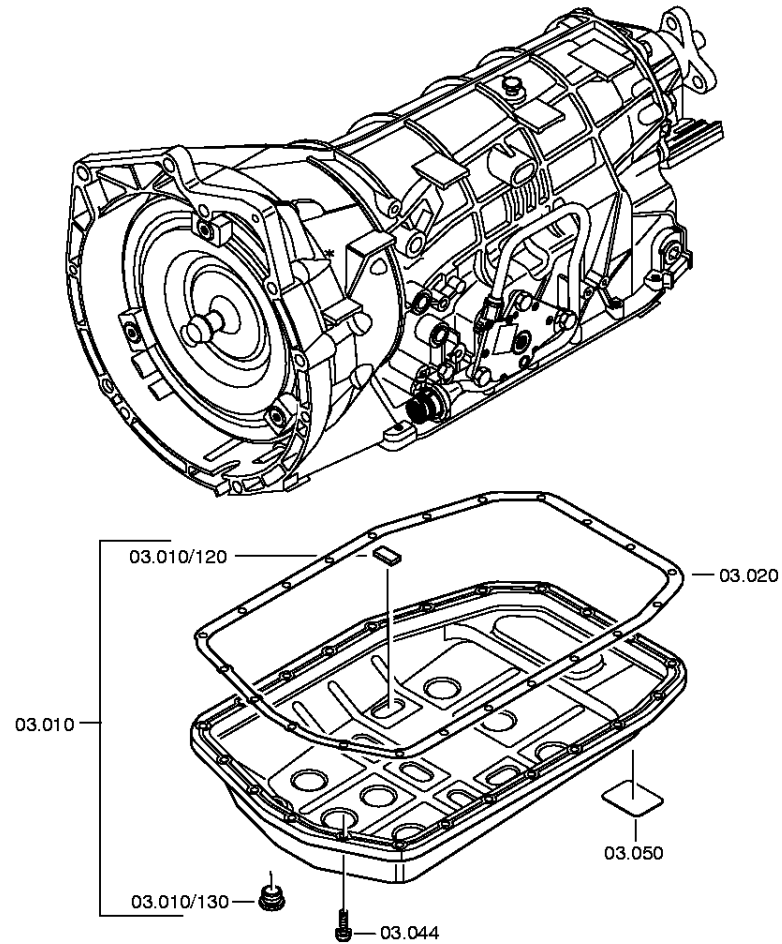
Material number: 1060.000.007

Picture: 098.03.09-1

Material-assembly-group-no: 1060.103.002



5 HP 19 / ()
OIL PAN



5 HP 19

Picture

Page 1 from 1

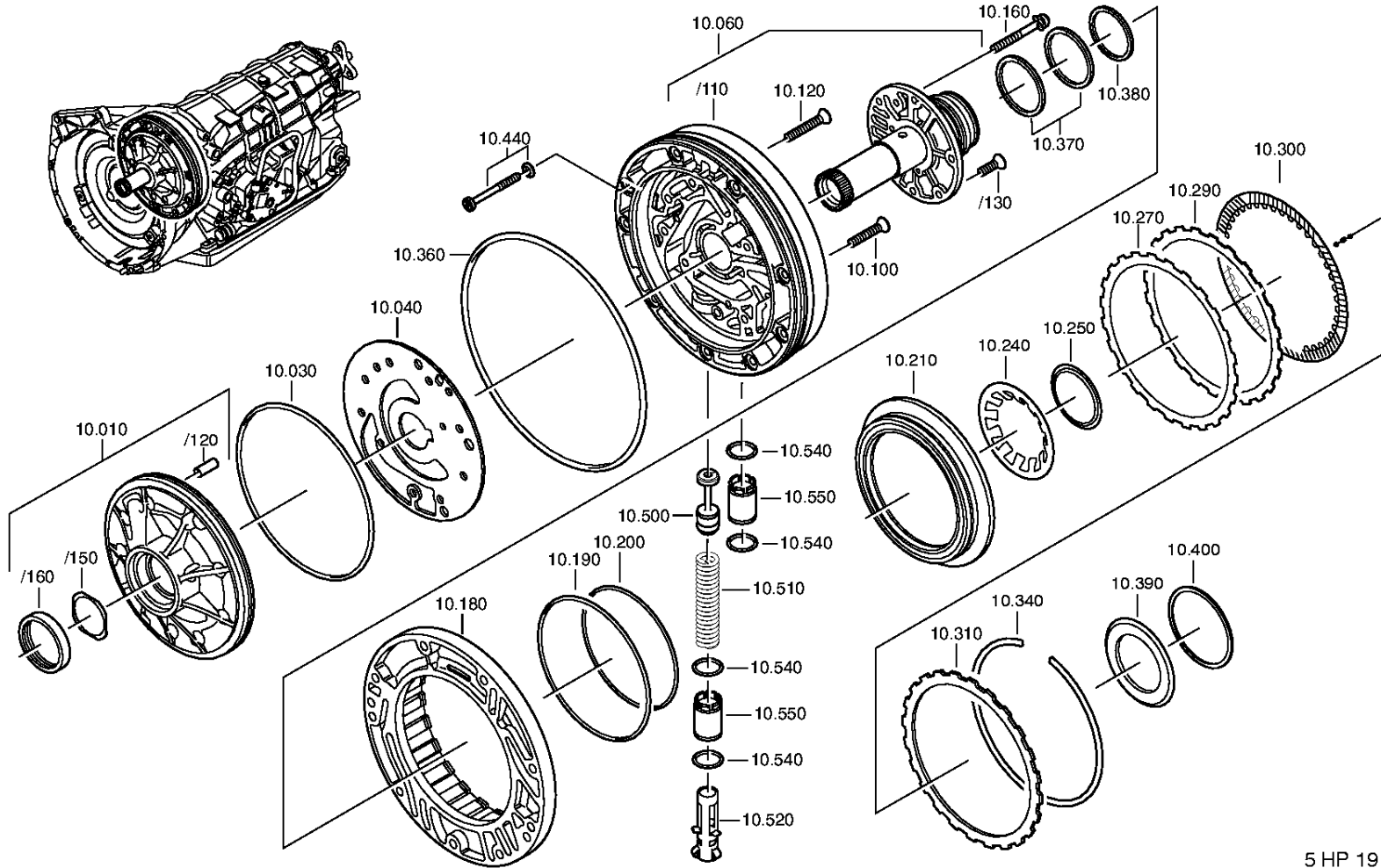
Material number: 1060.000.007

Picture: 098.10.09-1

Material-assembly-group-no: 1060.110.042



5 HP 19 / ()
OIL SUPPLY



5 HP 19

Picture

Page 1 from 1

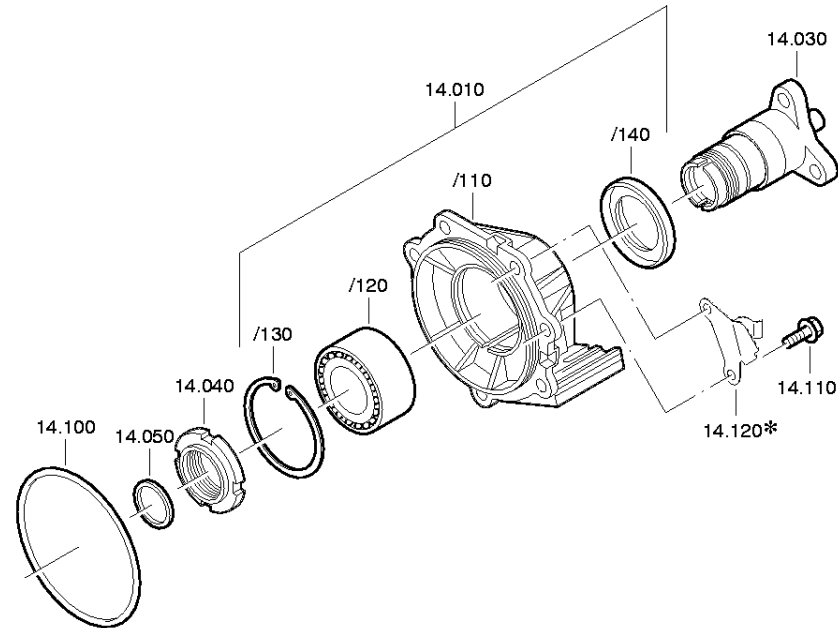
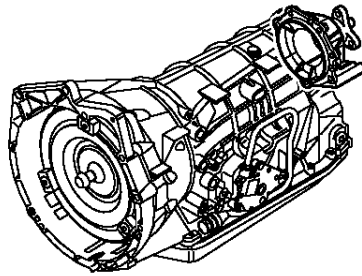
Material number: 1060.000.007

Picture: 098.14.09-1

Material-assembly-group-no: 1060.114.005



5 HP 19 / ()
OUTPUT



5 HP 18 / 19

Picture

Page 1 from 1

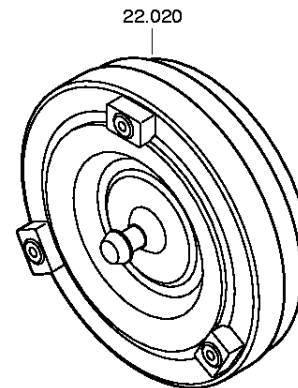
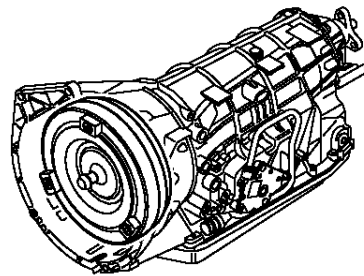
Material number: 1060.000.007

Picture: 098.22.09-1

Material-assembly-group-no: 1060.122.874



5 HP 19 / ()
CONVERTER



5 HP 19

Picture

Page 1 from 2

Material number: 1060.000.007

Picture: 098.27.09-1

Material-assembly-group-no: 1060.128.825



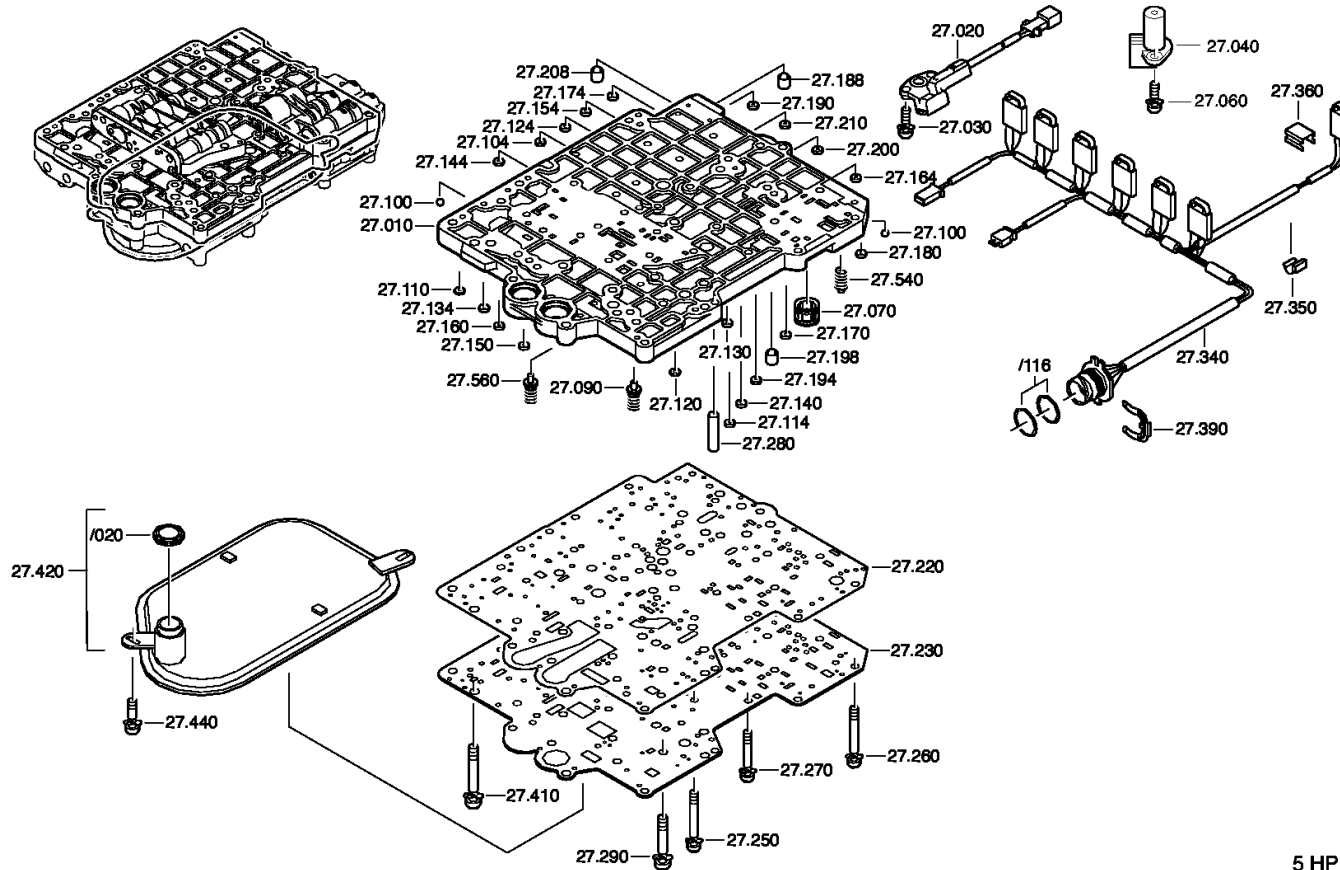
5 HP 19 / ()
CONTROL UNIT

Bildtafel:
Figure: 098.27.09-1
Figure:
Figura:

Kanalplatte
Duct plate
Plaque caniveau
Piastra canal

* je nach Stücklistenausführung
depending on spec. number
suivant la nomenclature
secondo la distinta base

01-05-02



5 HP 19

Picture

Page 1 from 1

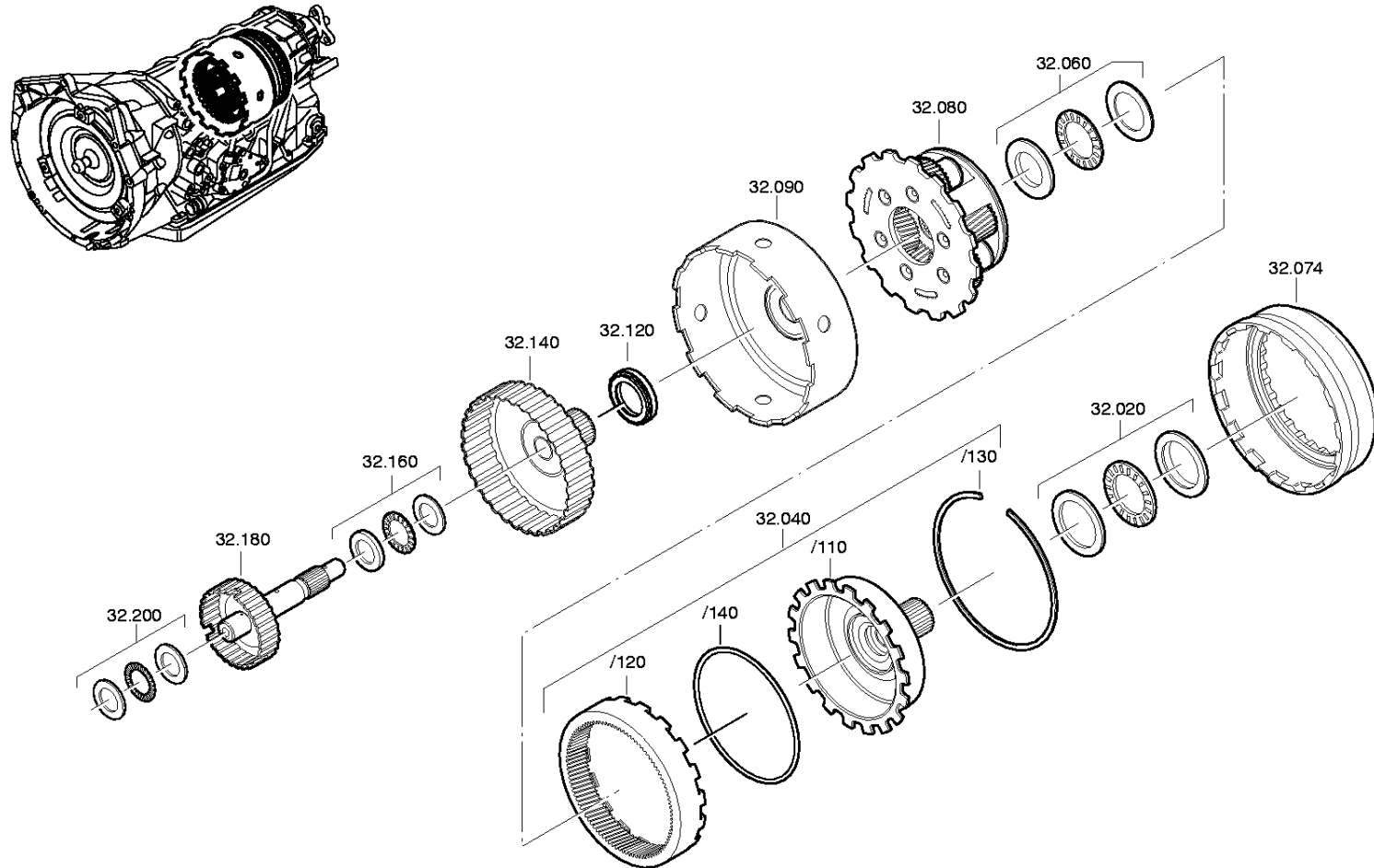
Material number: 1060.000.007

Picture: 098.32.19-1

Material-assembly-group-no: 1060.132.002



5 HP 19 / ()
PLANETARY DRIVE



5 HP 19

Picture

Page 1 from 1

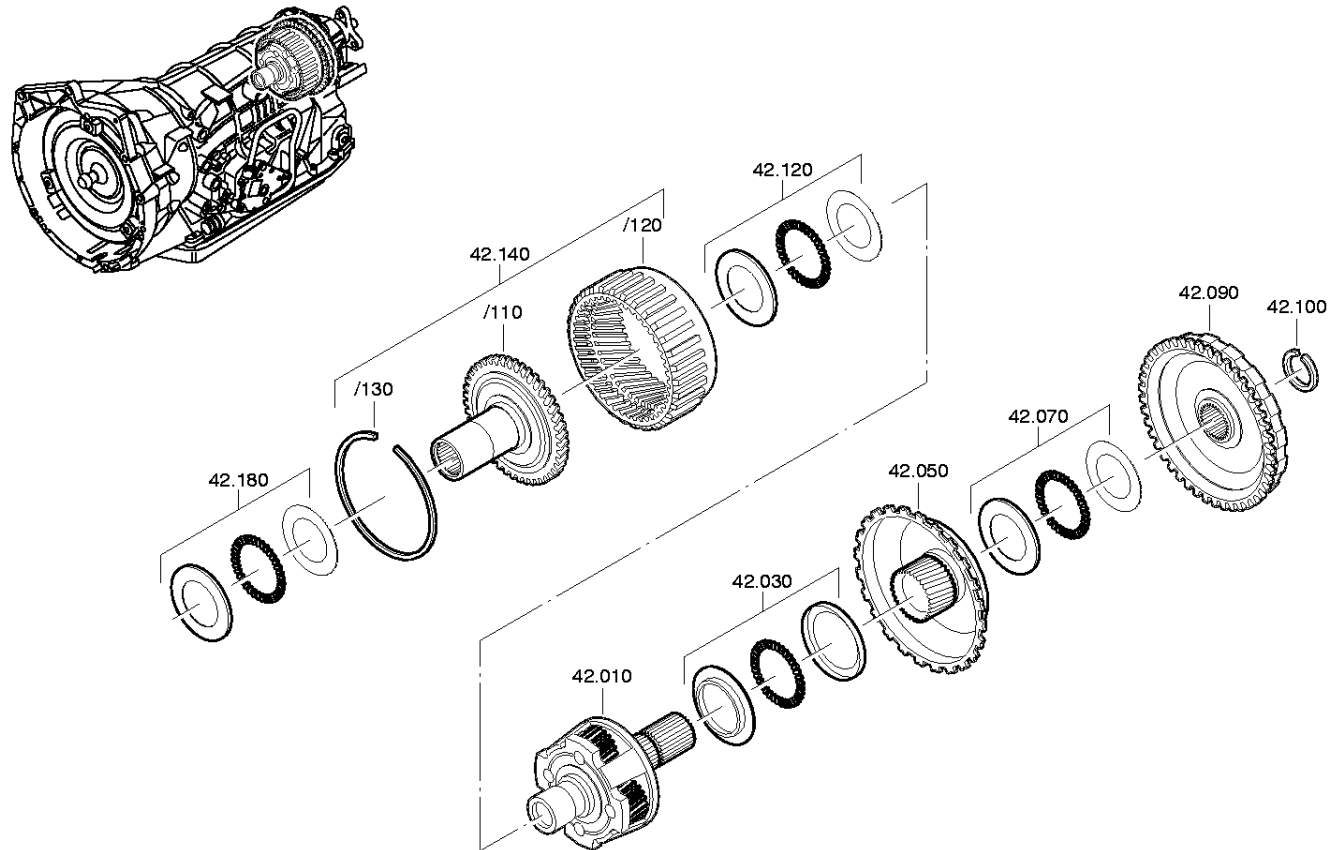
Material number: 1060.000.007

Picture: 098.42.09-1

Material-assembly-group-no: 1060.142.004



5 HP 19 / ()
PLANETARY DRIVE



5 HP 18 / 19

Picture

Page 1 from 1

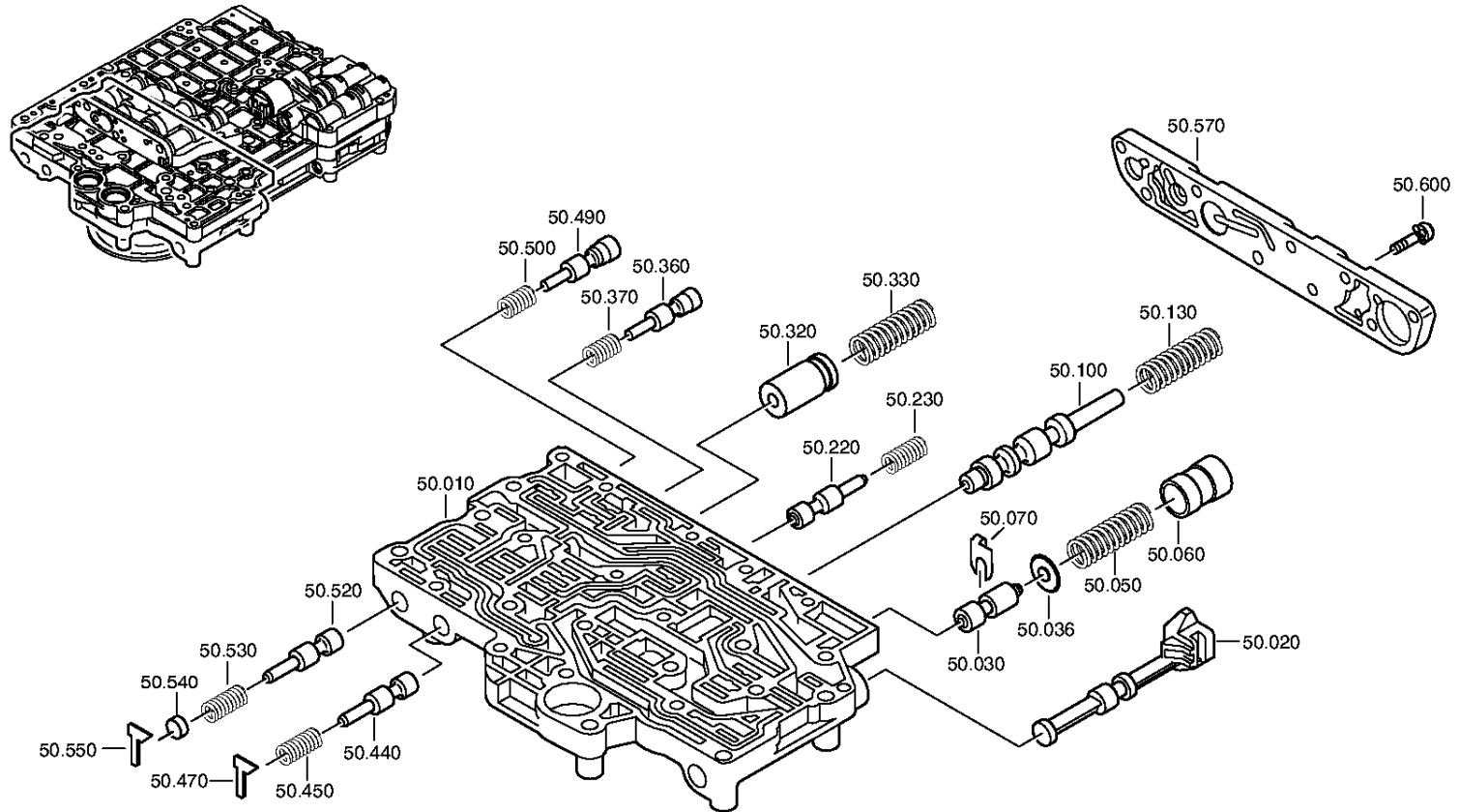
Material number: 1060.000.007

Picture: 098.50.09-1

Material-assembly-group-no: 1060.150.015



5 HP 19 / ()
VALVE HOUSING



5 HP 19 / FL

Picture

Page 1 from 1

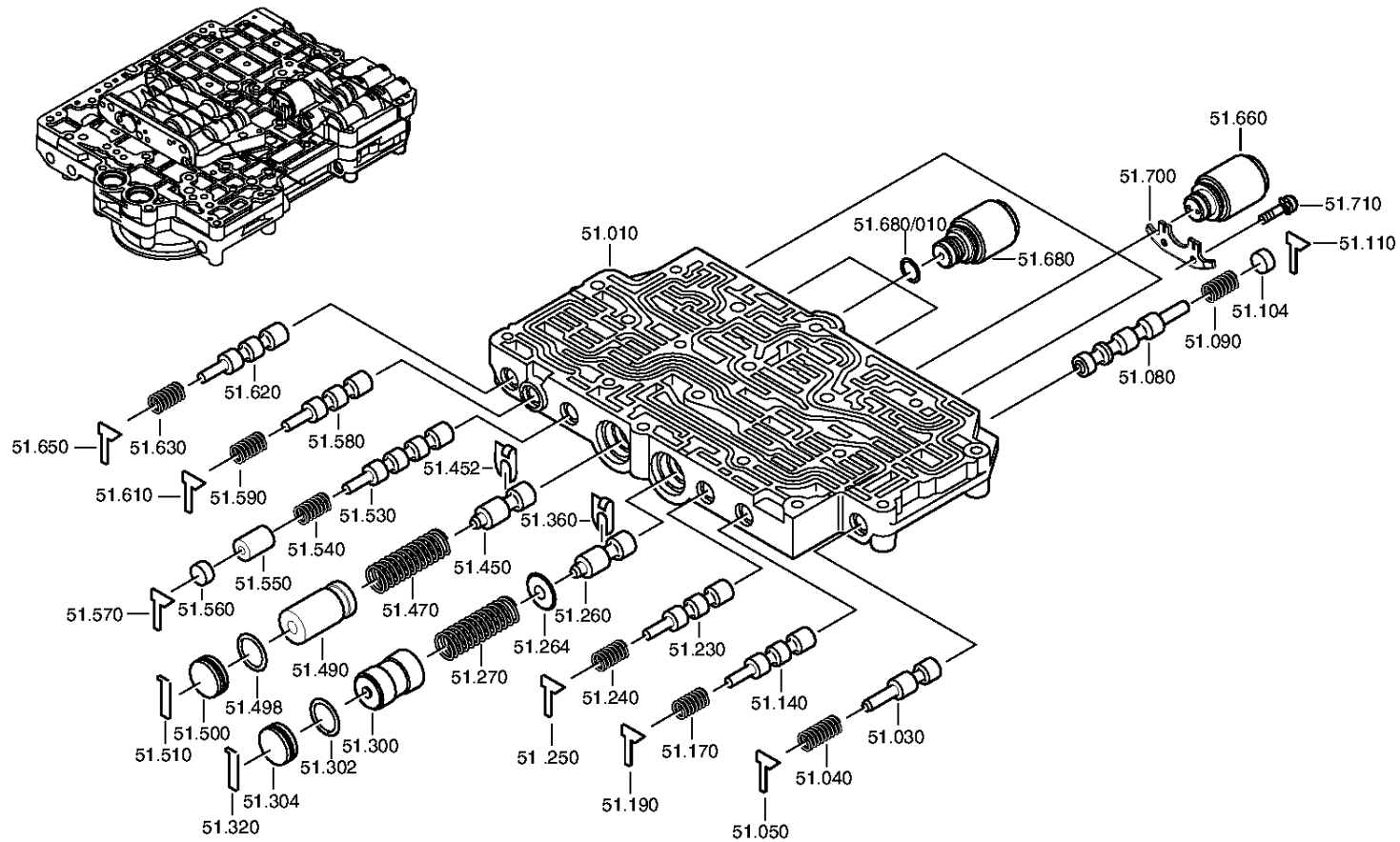
Material number: 1060.000.007

Picture: 098.51.09-1

Material-assembly-group-no: 1060.151.014



5 HP 19 / ()
VALVE HOUSING



5 HP 19

Picture

Page 1 from 1

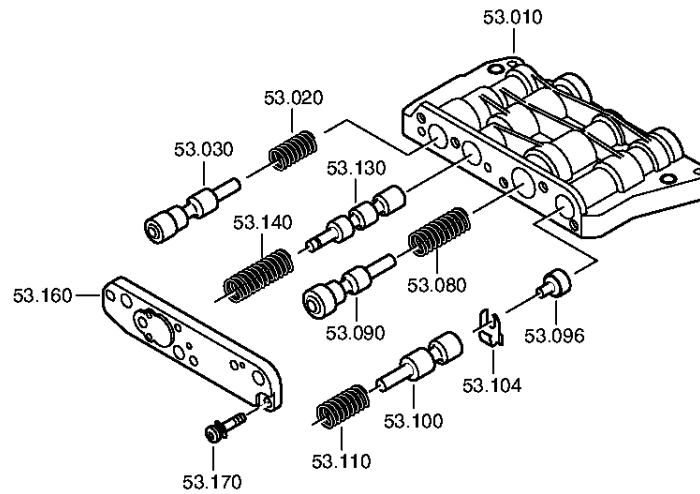
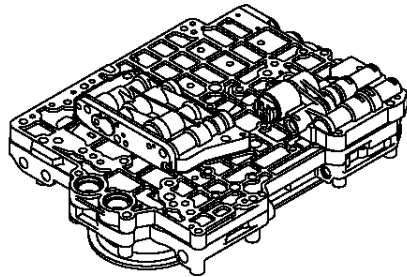
Material number: 1060.000.007

Picture: 098.53.09-1

Material-assembly-group-no: 1060.153.012



5 HP 19 / ()
HOUSING



5 HP 19 / FL / FLA

Picture

Page 1 from 1

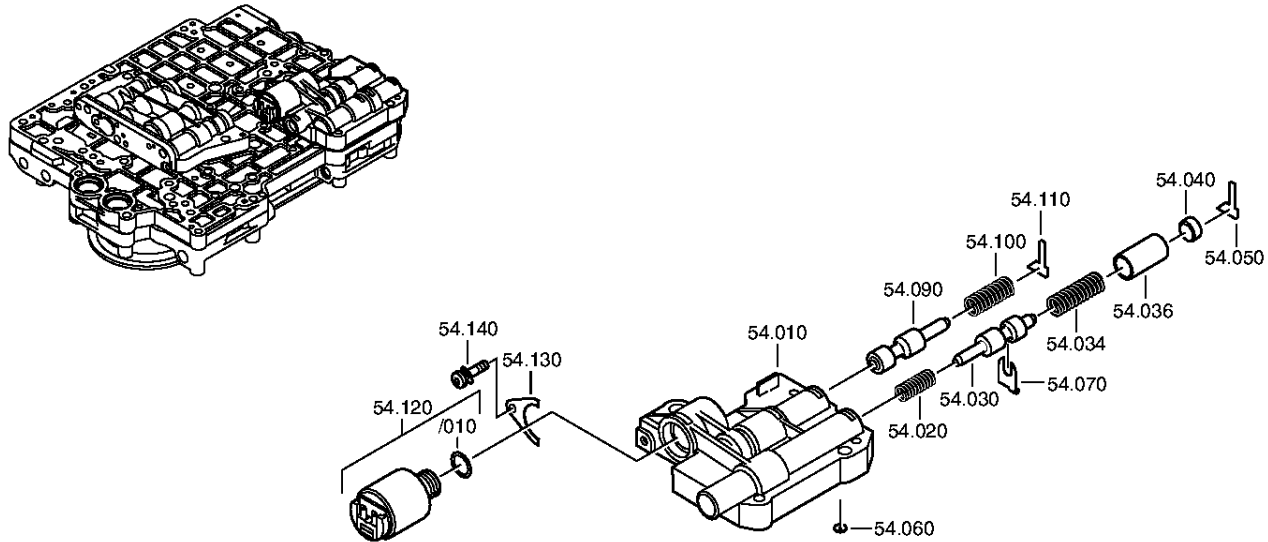
Material number: 1060.000.007

Picture: 098.54.09-1

Material-assembly-group-no: 1060.154.013



5 HP 19 / ()
HOUSING



5 HP 19 / FL / FLA

Picture

Page 1 from 1

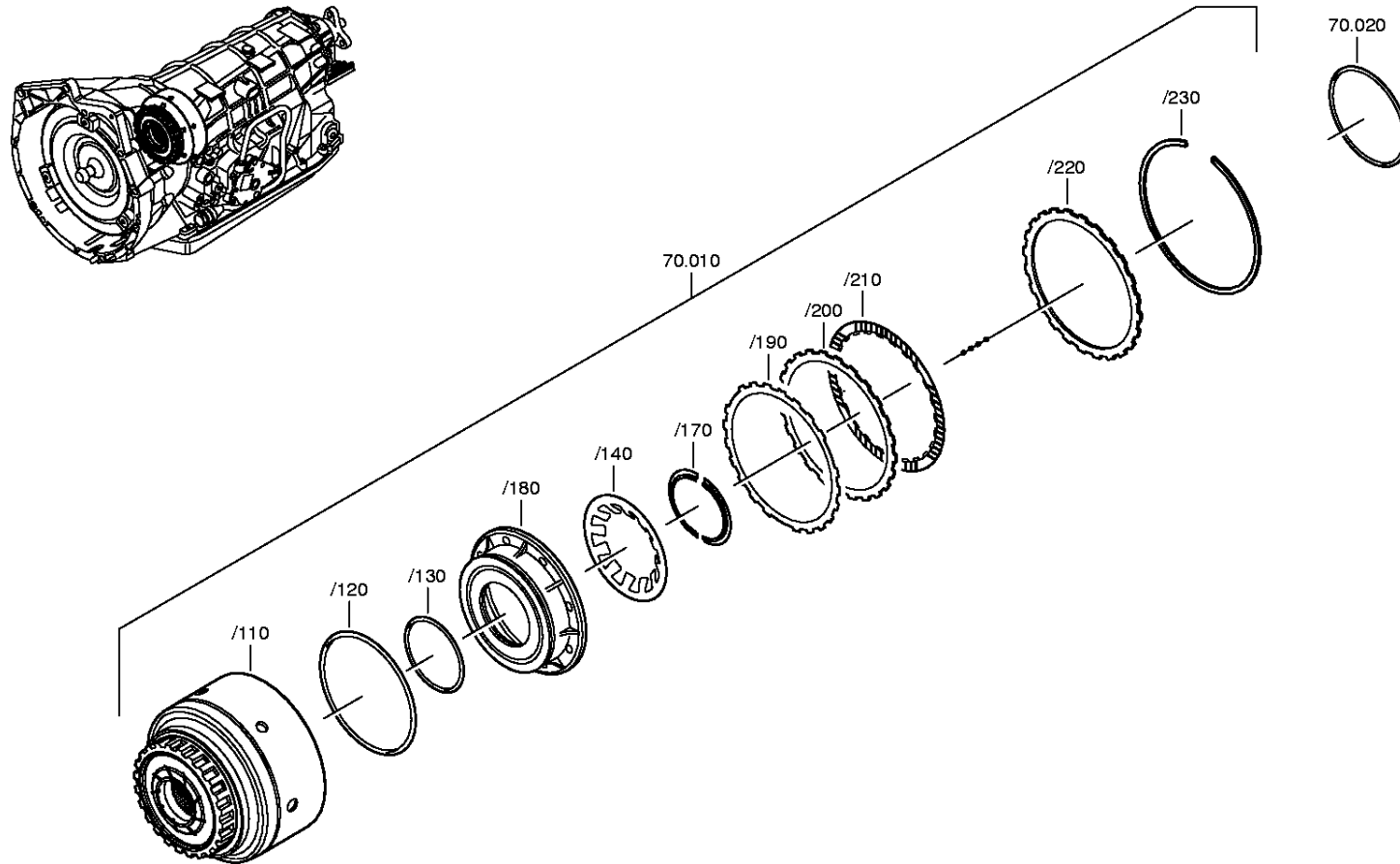
Material number: 1060.000.007

Picture: 098.70.09-1

Material-assembly-group-no: 1060.170.027



5 HP 19 / ()
COUPLING



5 HP 19

Picture

Page 1 from 1

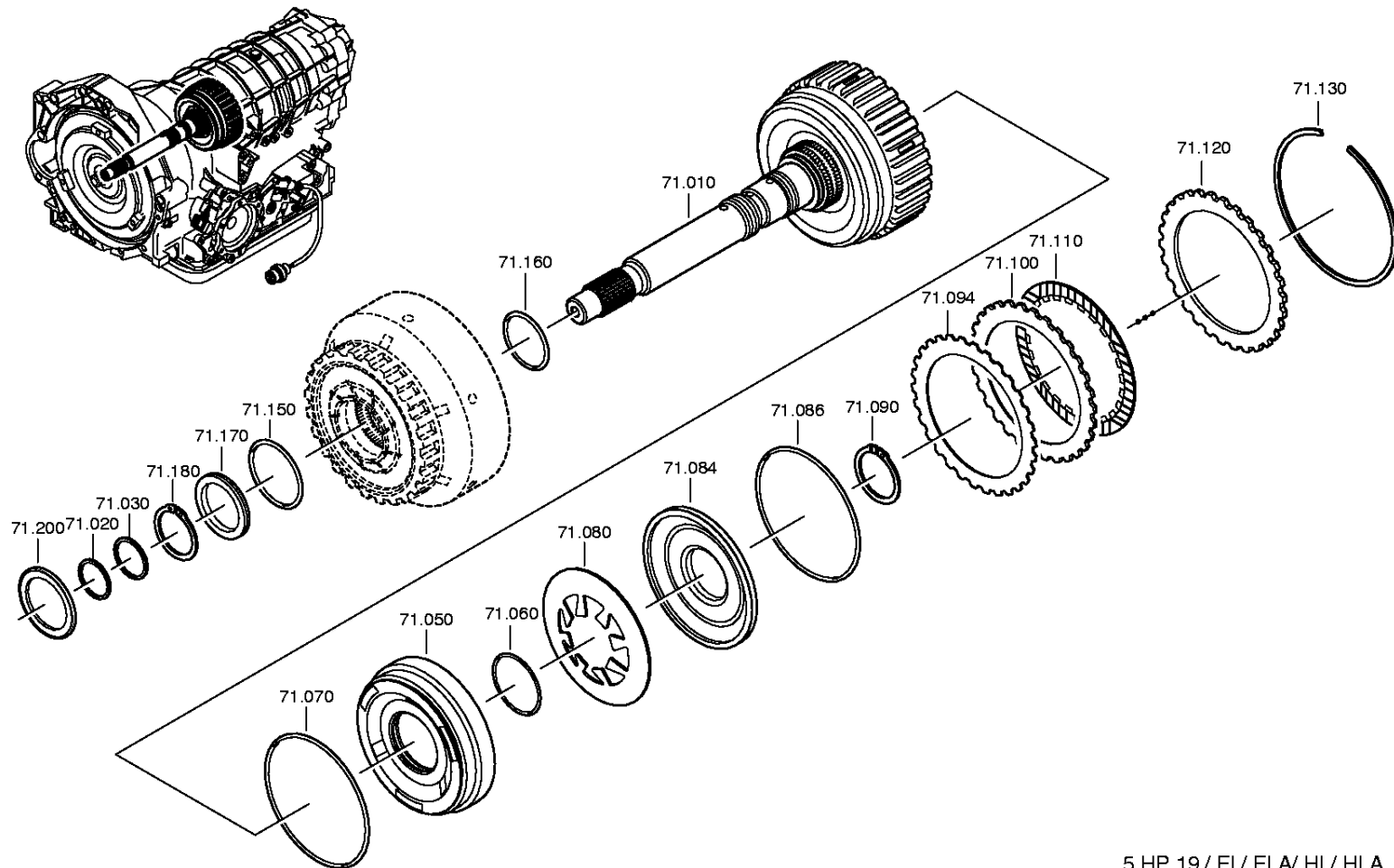
Material number: 1060.000.007

Picture: 098.71.05-1

Material-assembly-group-no: 1060.171.004



5 HP 19 / ()
COUPLING



5 HP 19 / FL/ FLA/ HL/ HLA

Picture

Page 1 from 1

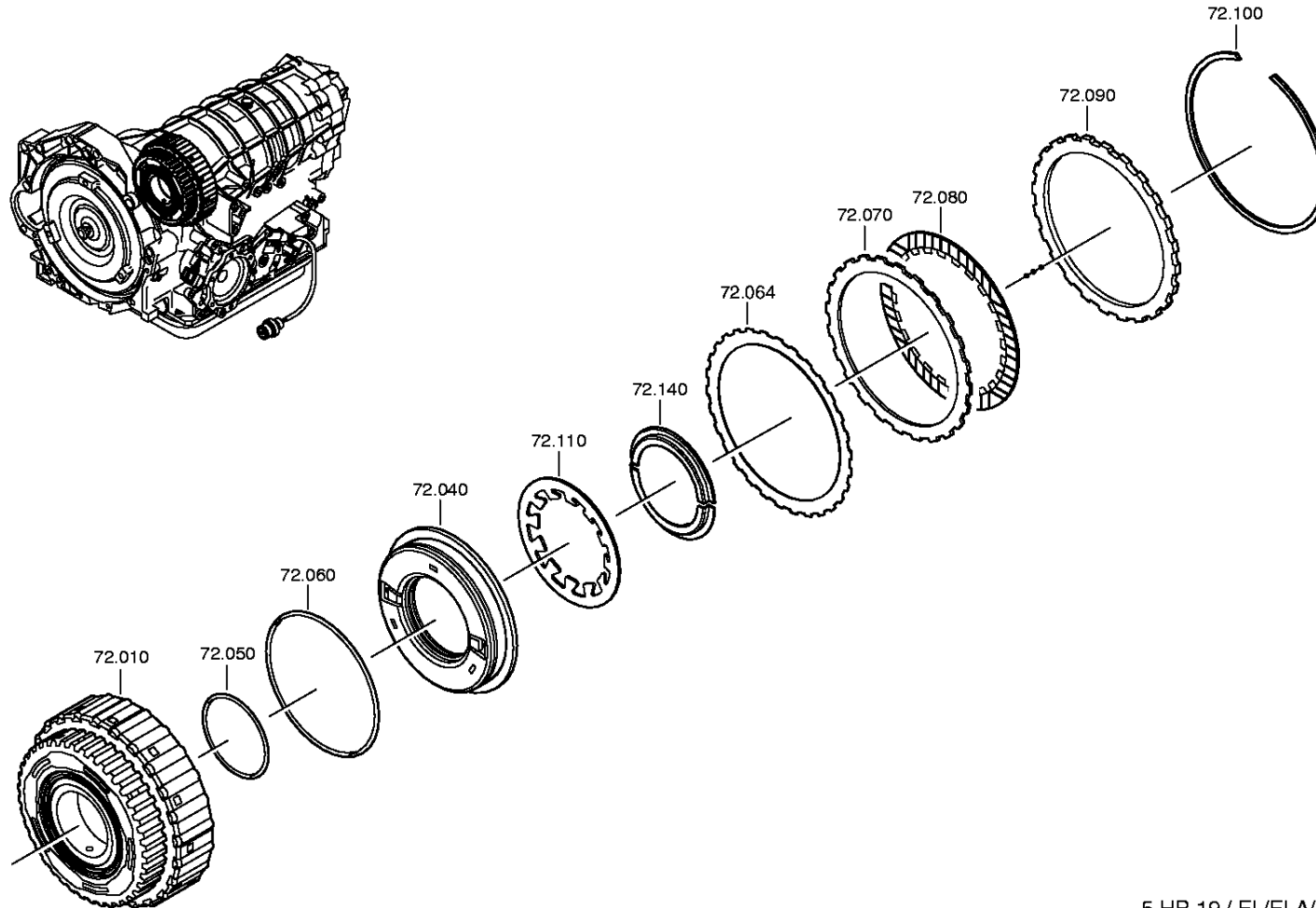
Material number: 1060.000.007

Picture: 098.72.05-1

Material-assembly-group-no: 1060.172.008



5 HP 19 / ()
COUPLING



5 HP 19 / FL/FLA/HL /HLA

Picture

Page 1 from 1

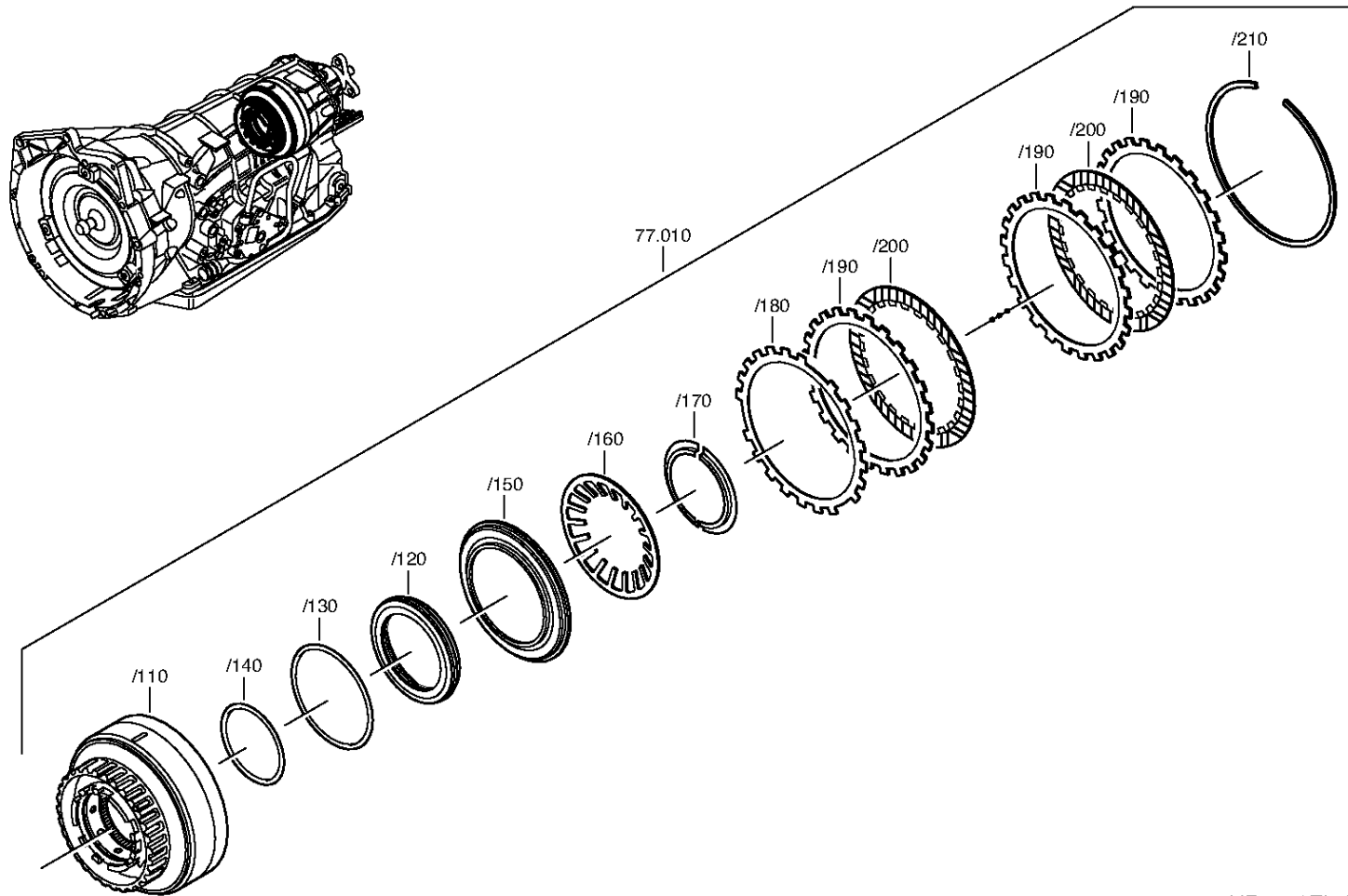
Material number: 1060.000.007

Picture: 098.77.09

Material-assembly-group-no: 1060.177.009



5 HP 19 / ()
COUPLING



5 HP 19 / FL / FLA

Picture

Page 1 from 1

Material number: 1060.000.007

Picture: 098.92.19-1

Material-assembly-group-no: 1060.192.802



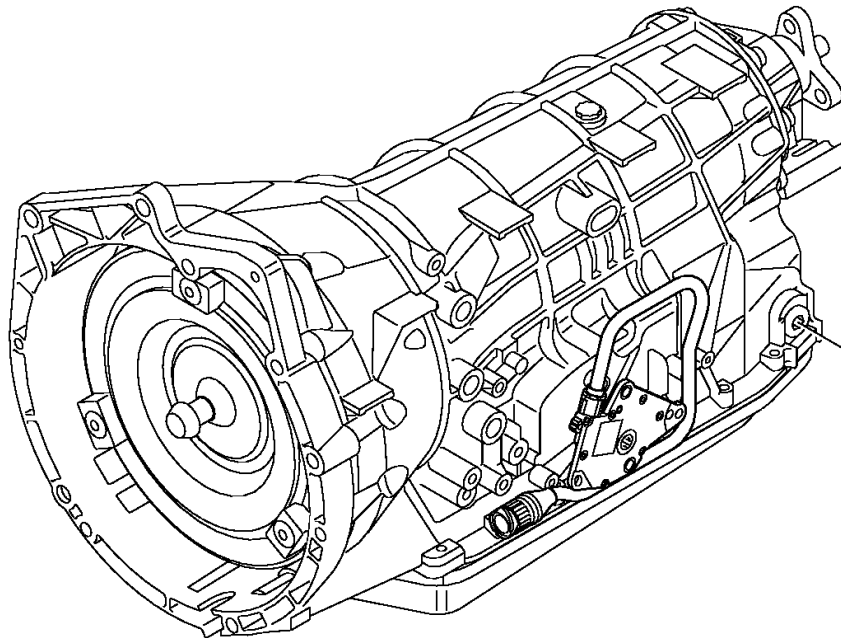
5 HP 19 / ()
CONSERVATION

Bildtafel:
Figure: 098.92.19
Figure:
Figura:

Konservierung
Conservation
Conservation
Protezione

Abbildung für Ausführung nicht verbindlich
Illustrations not binding for design
L'illustration n'est pas obligatoire pour l'exécution
La figura non è impegnativa per l'esecuzione

06-05-02



Getriebe-Oel : Pentosin ATF 1 (ZF Lifeguardfluid 5)
Oelmenge : 9,20 Liter
Teile-Nr. : 0671 090 296
Befuelltemperatur : 40° + 10° auf Ueberlauf
Siehe Befuellvorschrift, TISK

5 HP 19

Picture

Page 1 from 1

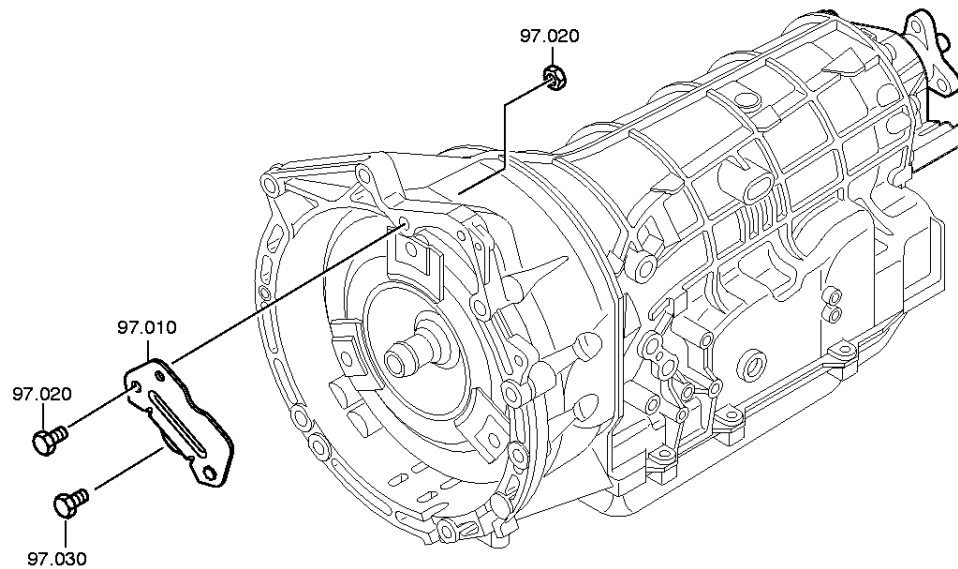
Material number: 1060.000.007

Picture: 098.97.01-1

Material-assembly-group-no: 1056.197.900



5 HP 19 / ()
PACKING



5 HP 18 / 19
BMW