



Spare Parts Catalog

8HP45X HIS

()

Material number: 1090.024.076

Current date: 24.03.2026

ZF Friedrichshafen AG
Hauptverwaltung
80038 Friedrichshafen
Deutschland

Telefon: +49 7541 77-0

Telefax: +49 7541 77-908000

www.zf.com

zuständiges Werk:
Saarbrücken

Picture

Page 1 from 1

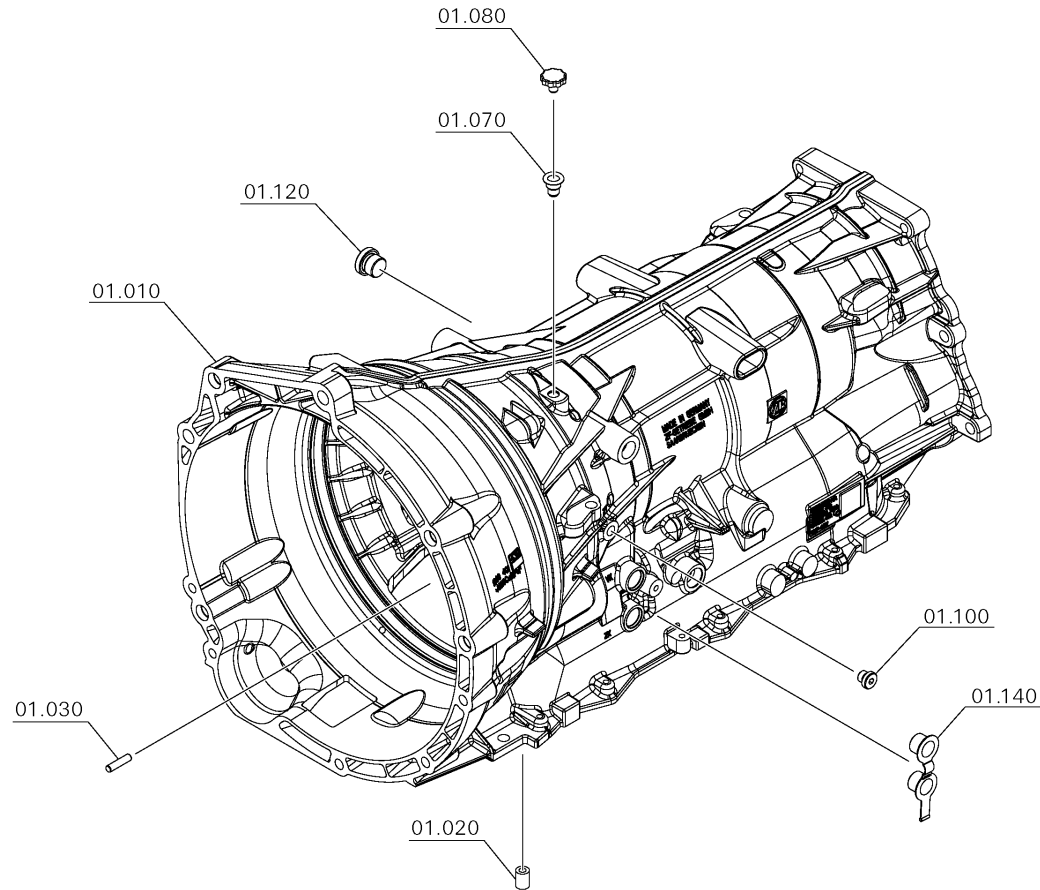
Material number: 1090.024.076

Picture: housing_1090_101_727_a

Material-assembly-group-no: 1090.101.727



8HP45X HIS / ()
TRANSMISSION HOUSING



Picture

Page 1 from 1

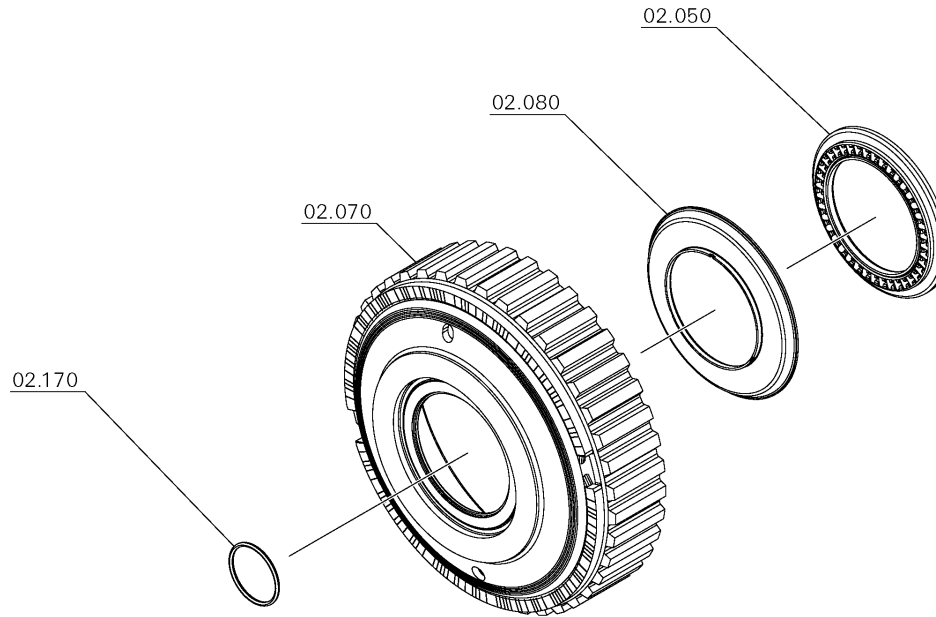
Material number: 1090.024.076

Picture: 1101_102_803

Material-assembly-group-no: 1101.102.803



8HP45X HIS / ()
INPUT



Picture

Page 1 from 1

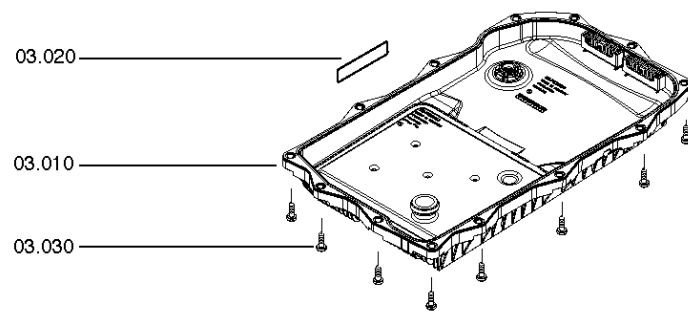
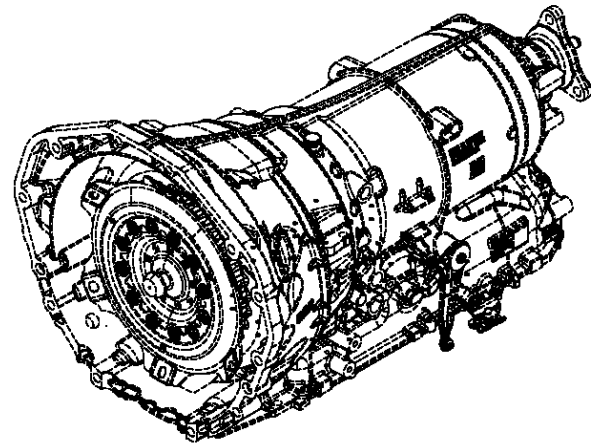
Material number: 1090.024.076

Picture: 168.03.11-1

Material-assembly-group-no: 1087.103.872



8HP45X HIS / ()
OIL PAN



8 HP xx
BMW

Picture

Page 1 from 1

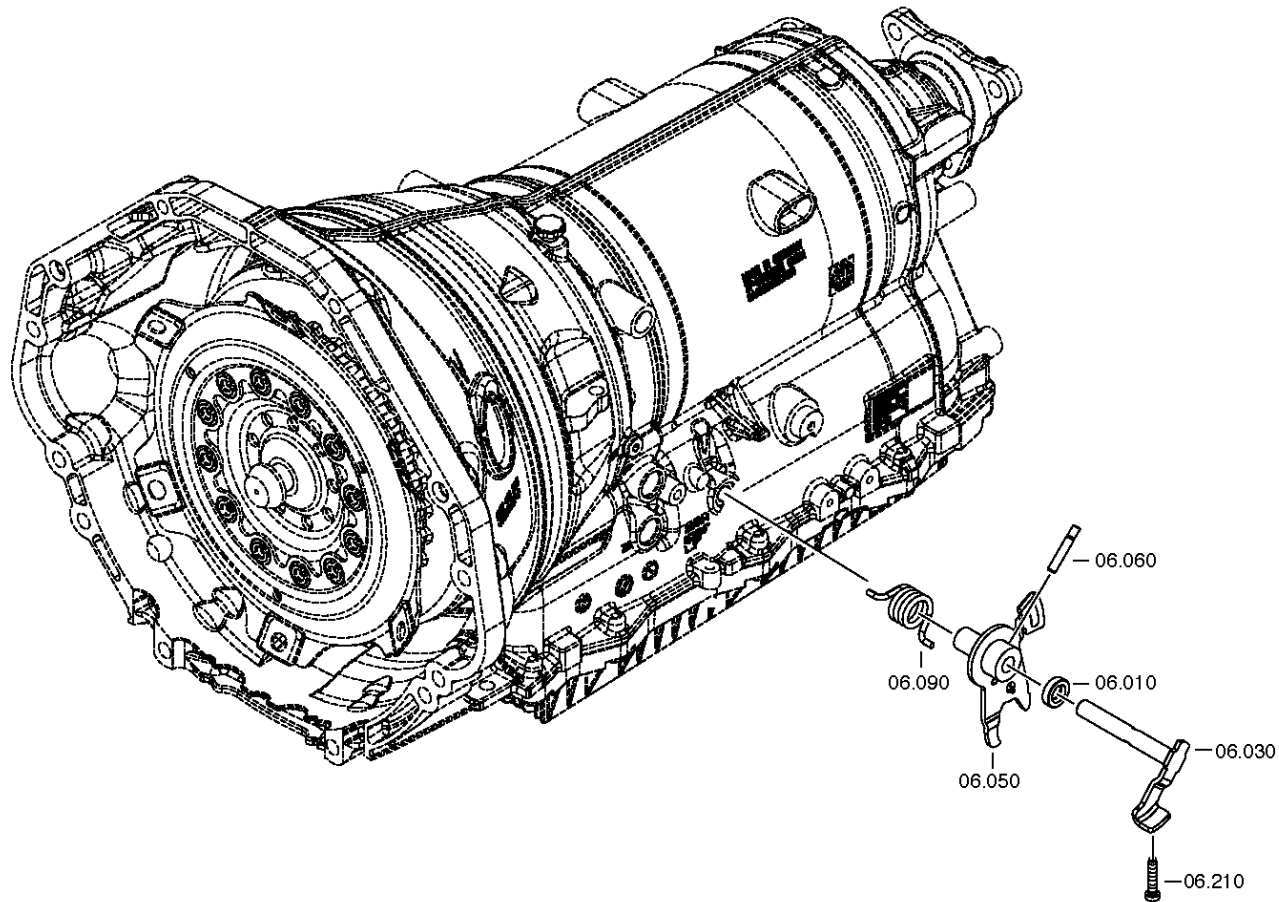
Material number: 1090.024.076

Picture: 168.06.31-1

Material-assembly-group-no: 1087.106.817



8HP45X HIS / ()
SHIFT SYSTEM



8 HP 45 / 70
8 P 70

Picture

Page 1 from 2

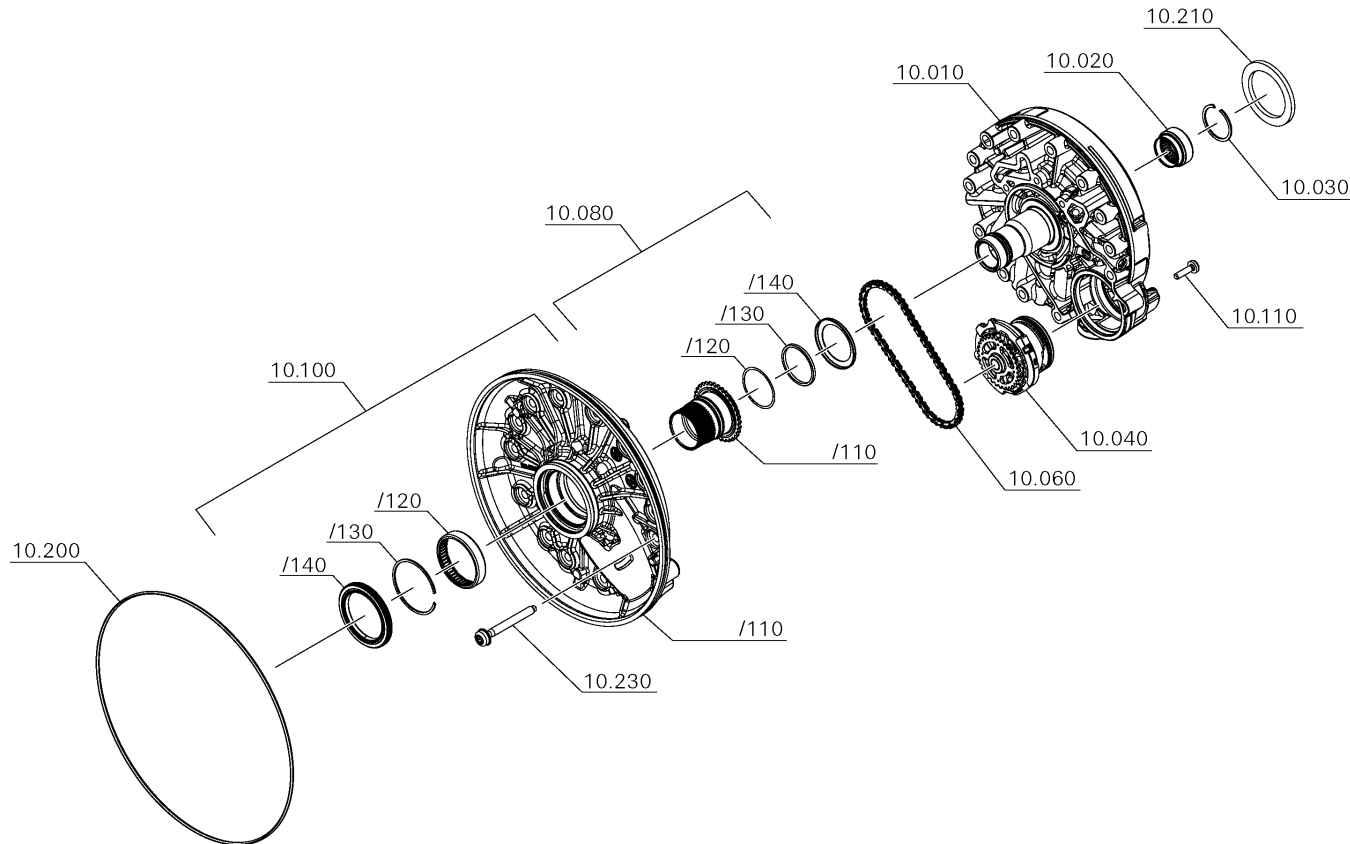
Material number: 1090.024.076

Picture: 1090_110_801

Material-assembly-group-no: 1090.110.801



8HP45X HIS / ()
OIL SUPPLY



Picture

Page 2 from 2

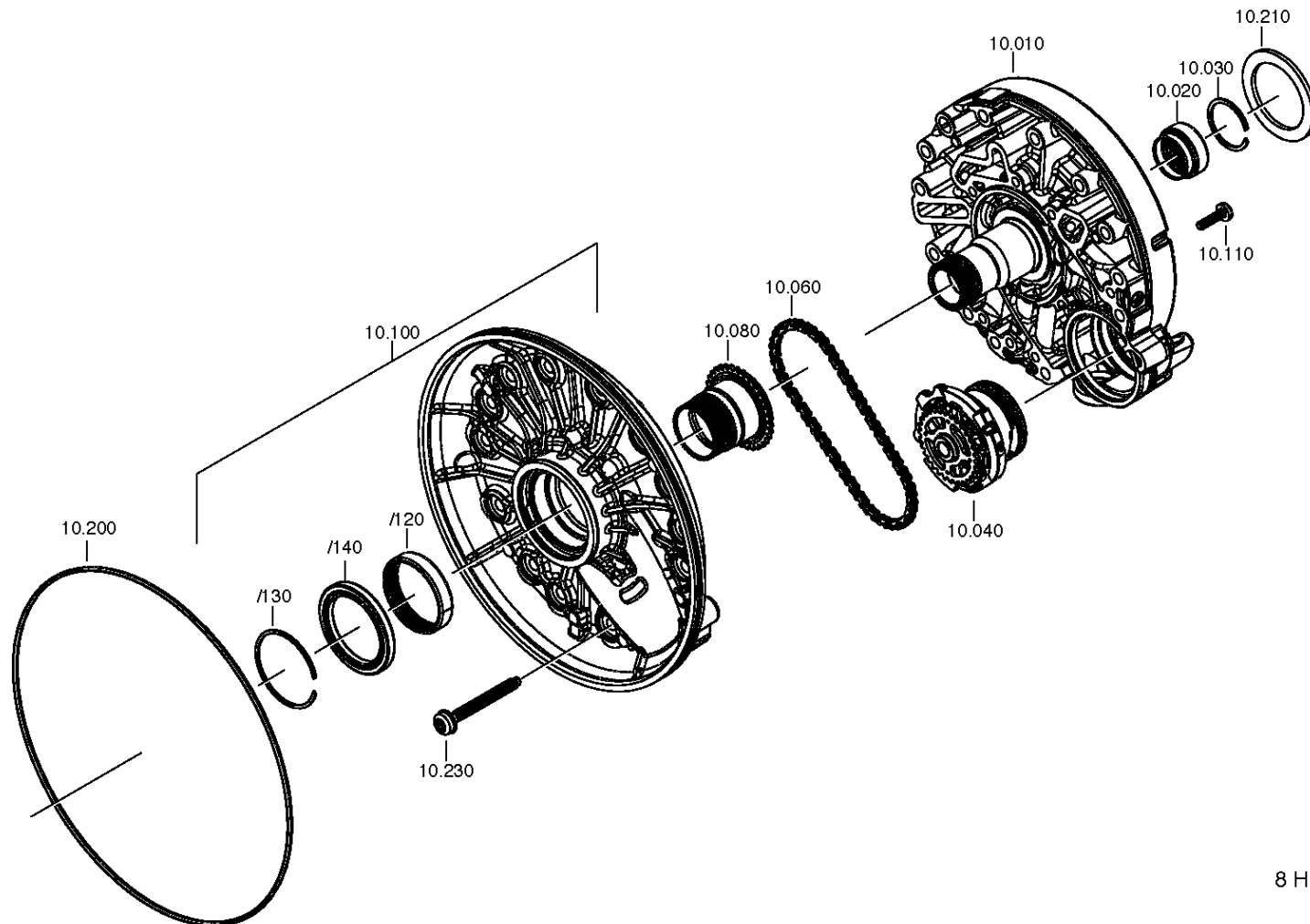
Material number: 1090.024.076

Picture: 176.10.01-1

Material-assembly-group-no: 1090.110.801



8HP45X HIS / ()
OIL SUPPLY



8 HP xx

Picture

Page 1 from 1

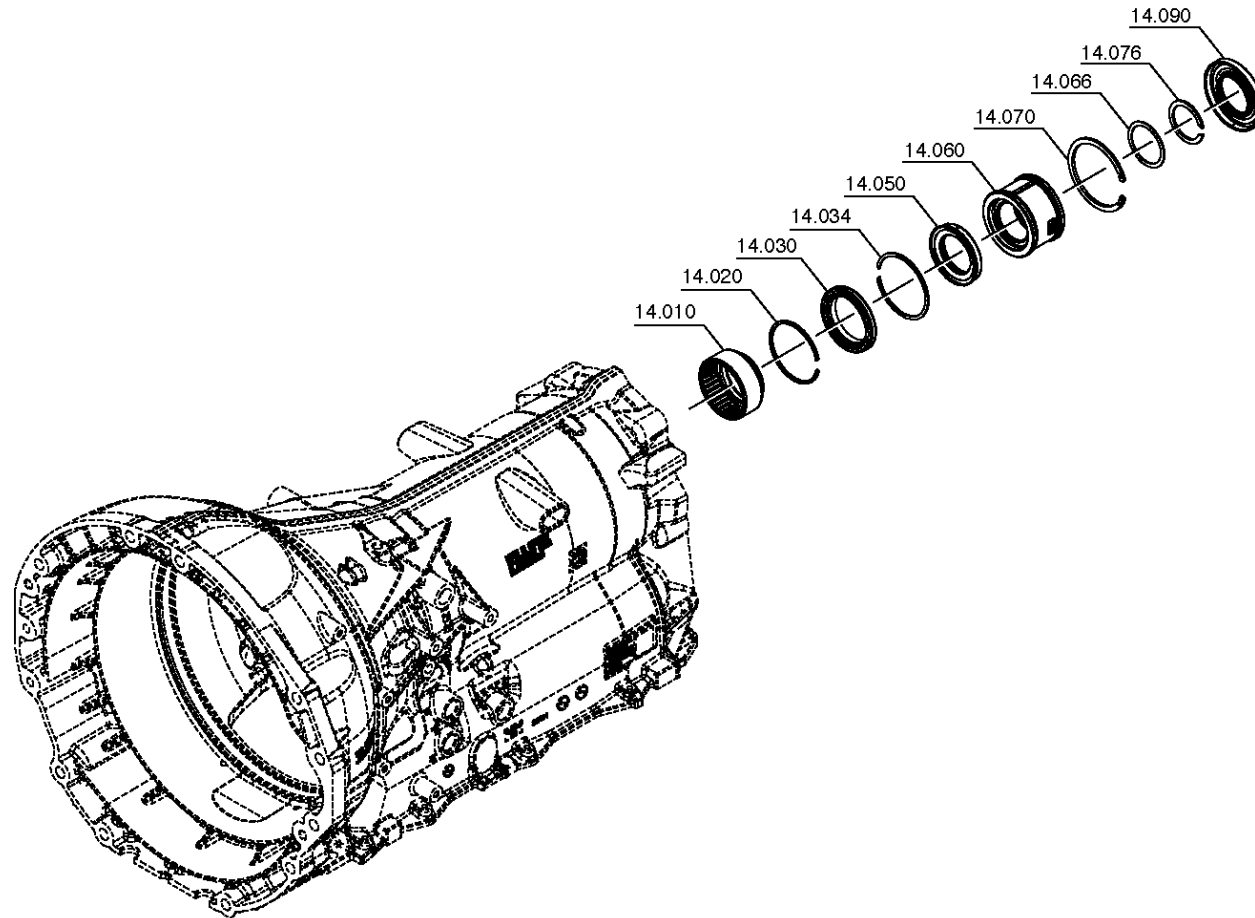
Material number: 1090.024.076

Picture: 176.14.03-1

Material-assembly-group-no: 1090.114.828



8HP45X HIS / ()
OUTPUT



8 HP 45 X / 70 X+HIS

Picture

Page 1 from 1

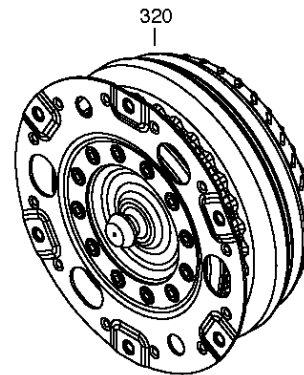
Material number: 1090.024.076

Picture: 176.22.11-1

Material-assembly-group-no: 1090.322.382



8HP45X HIS / ()
CONVERTER



8 HP 45

Picture

Page 1 from 1

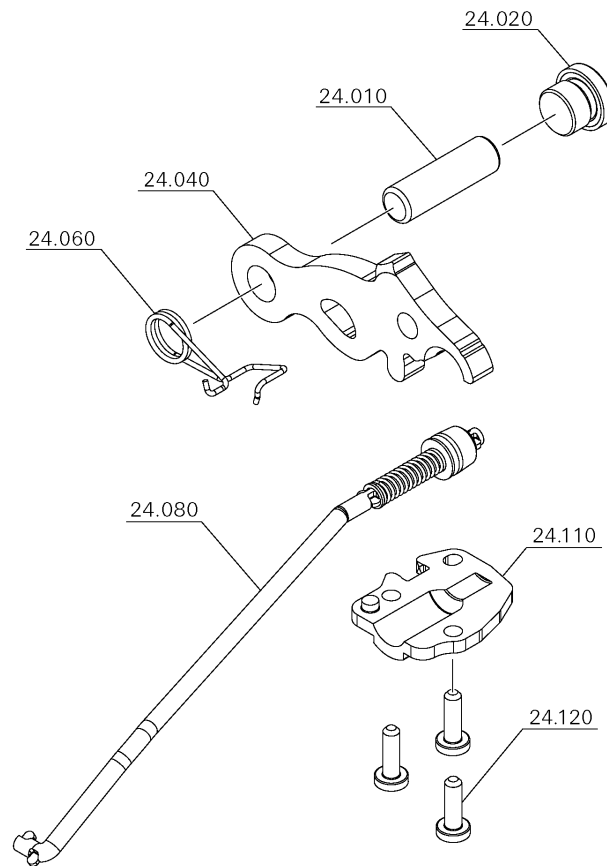
Material number: 1090.024.076

Picture: 1101_124_804

Material-assembly-group-no: 1101.124.804



8HP45X HIS / ()
PARKING LOCK



Picture

Page 1 from 1

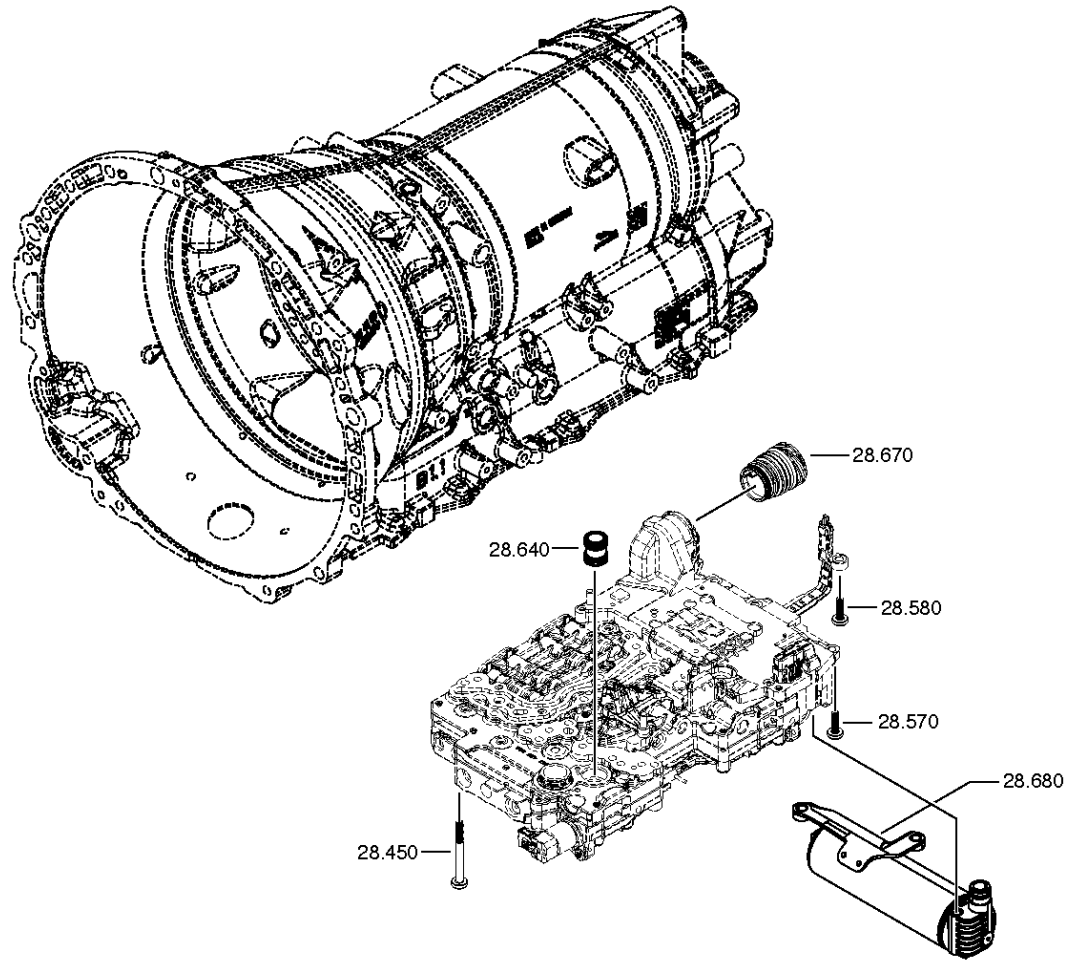
Material number: 1090.024.076

Picture: 168.28.108-1

Material-assembly-group-no: 0501.227.048



8HP45X HIS / ()
INTERMEDIATE SHEET



8HP70 HIS

Picture

Page 1 from 1

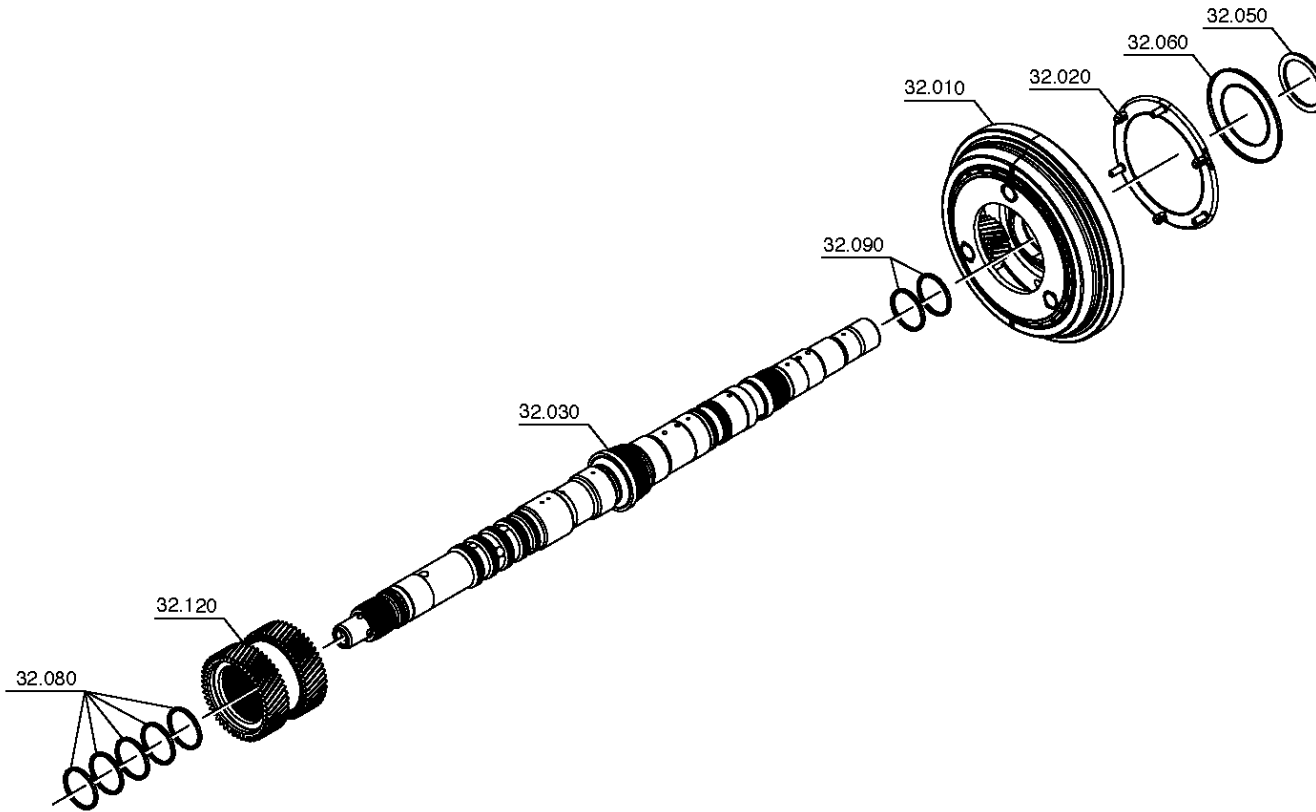
Material number: 1090.024.076

Picture: 176.32.01-1

Material-assembly-group-no: 1090.132.835



8HP45X HIS / ()
PLANETARY DRIVE



8 HP 45 xx

Picture

Page 1 from 1

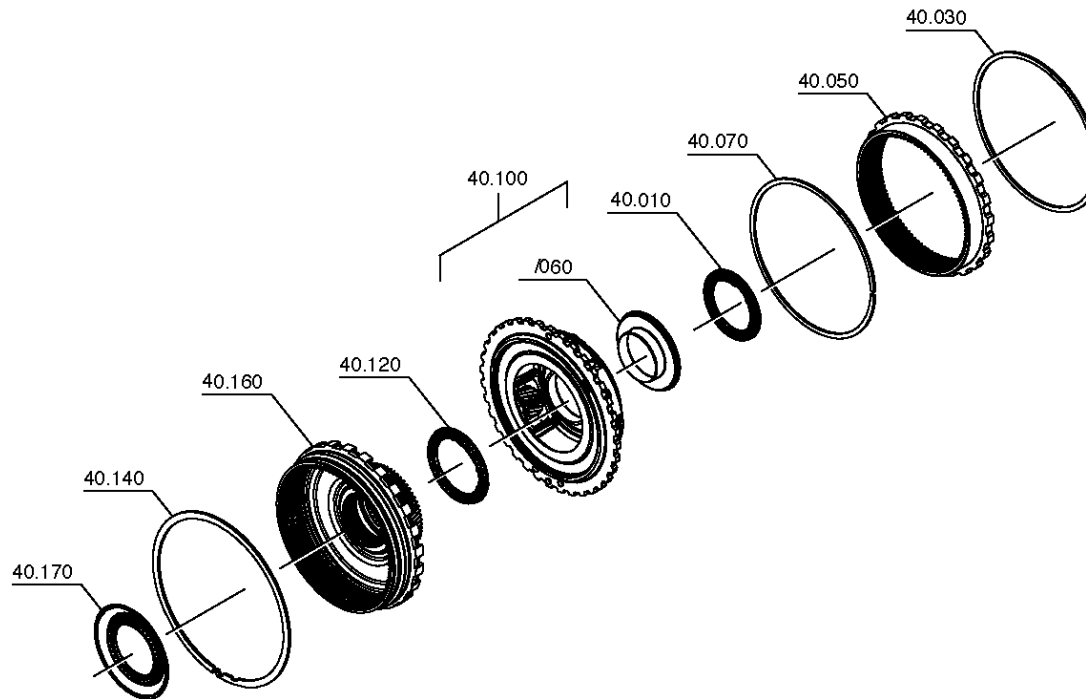
Material number: 1090.024.076

Picture: 176.40.07-1

Material-assembly-group-no: 1090.140.828



8HP45X HIS / ()
PLANETARY DRIVE



4 HP 45 X..
VW

Picture

Page 1 from 2

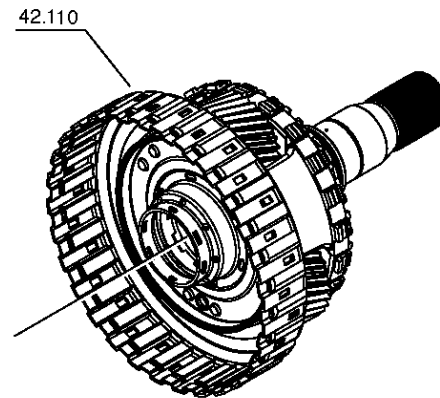
Material number: 1090.024.076

Picture: 176.42.17-1

Material-assembly-group-no: 1090.142.180



8HP45X HIS / ()
PLANETARY DRIVE



8 HP 45 X+HIS

Picture

Page 2 from 2

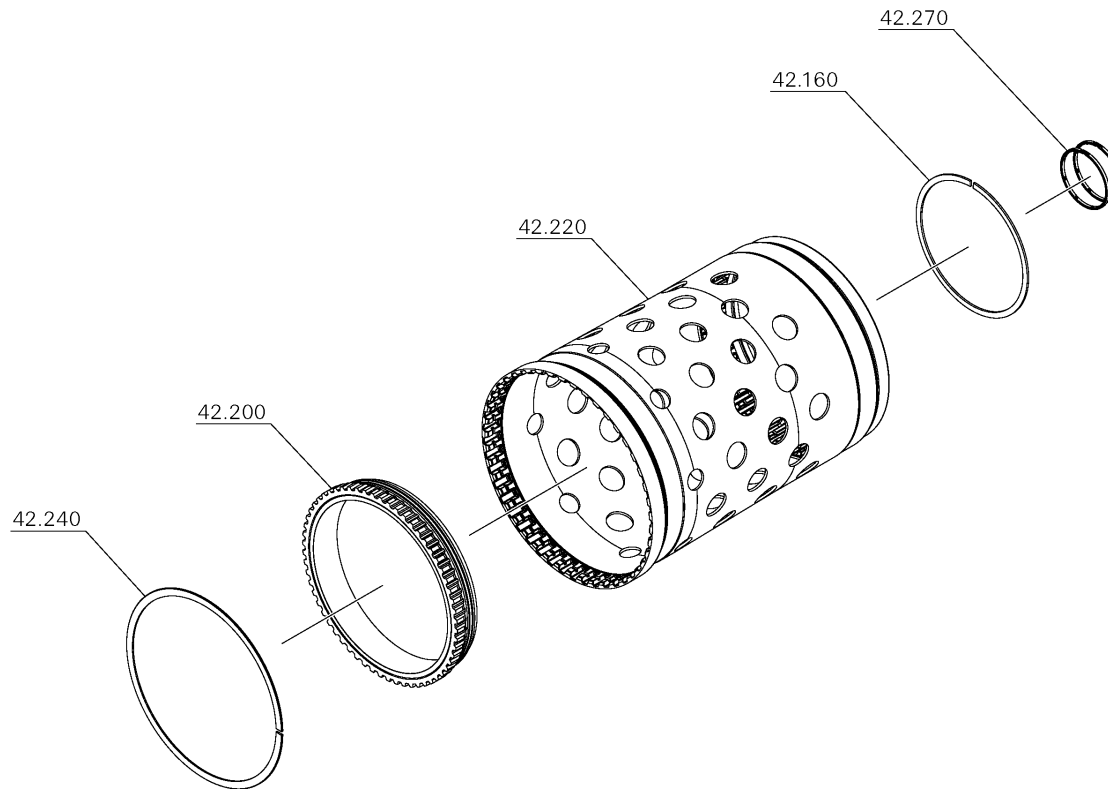
Material number: 1090.024.076

Picture: 1111_142_808

Material-assembly-group-no: 1090.142.180



8HP45X HIS / ()
PLANETARY DRIVE



Picture

Page 1 from 1

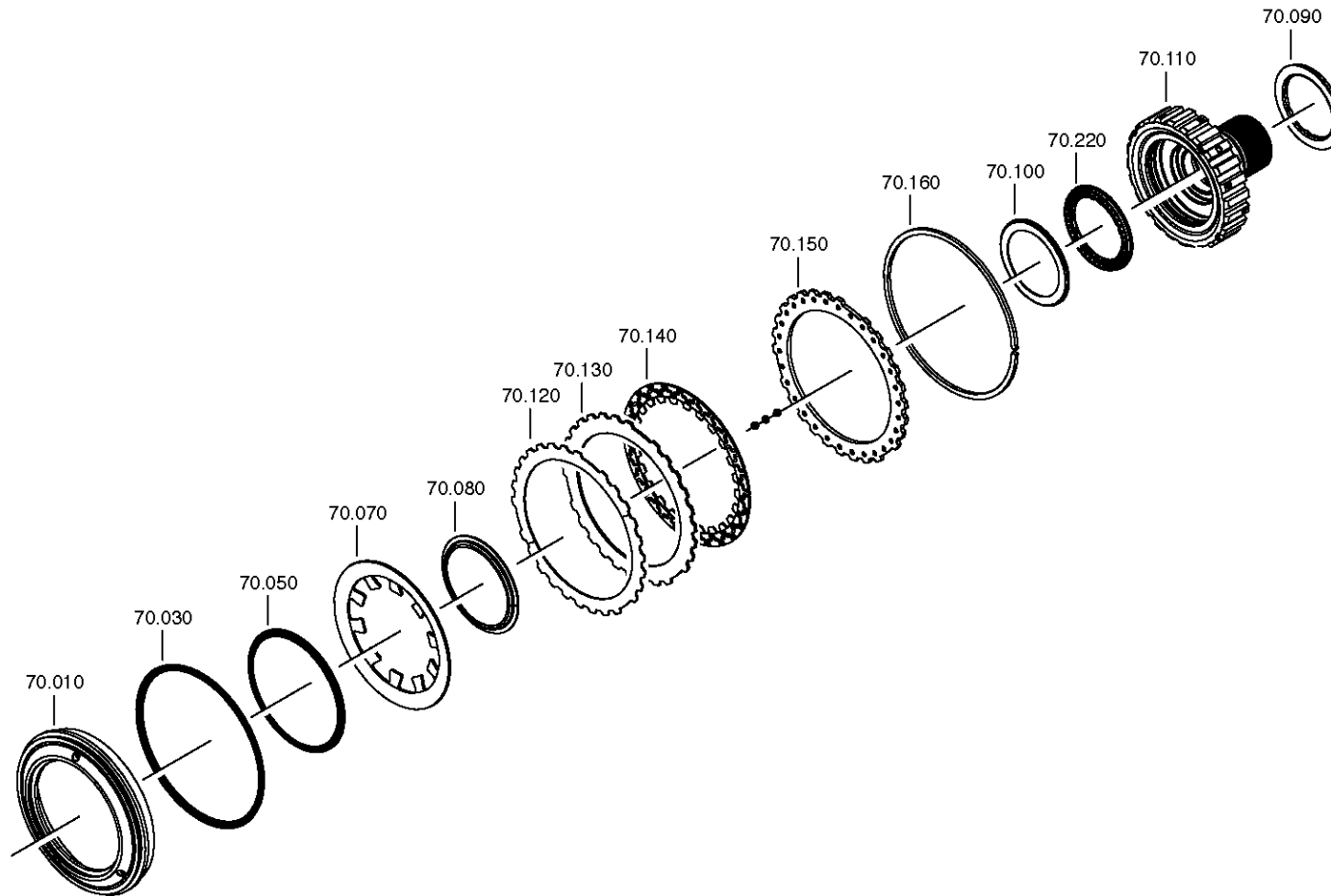
Material number: 1090.024.076

Picture: 176.70.01-1

Material-assembly-group-no: 1090.170.816



8HP45X HIS / ()
COUPLING



8 HP xx

Picture

Page 1 from 1

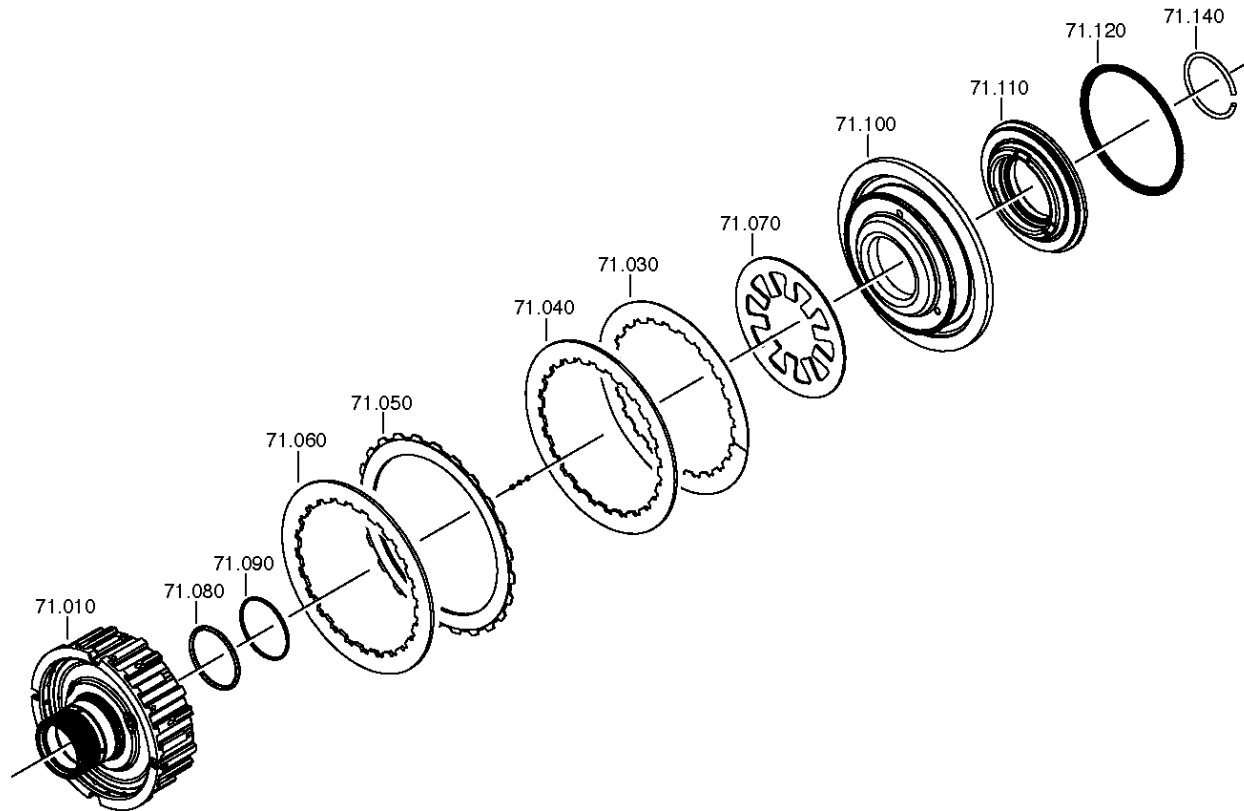
Material number: 1090.024.076

Picture: 176.71.01-1

Material-assembly-group-no: 1090.171.028



8HP45X HIS / ()
COUPLING



8 HP 45 xx

Picture

Page 1 from 2

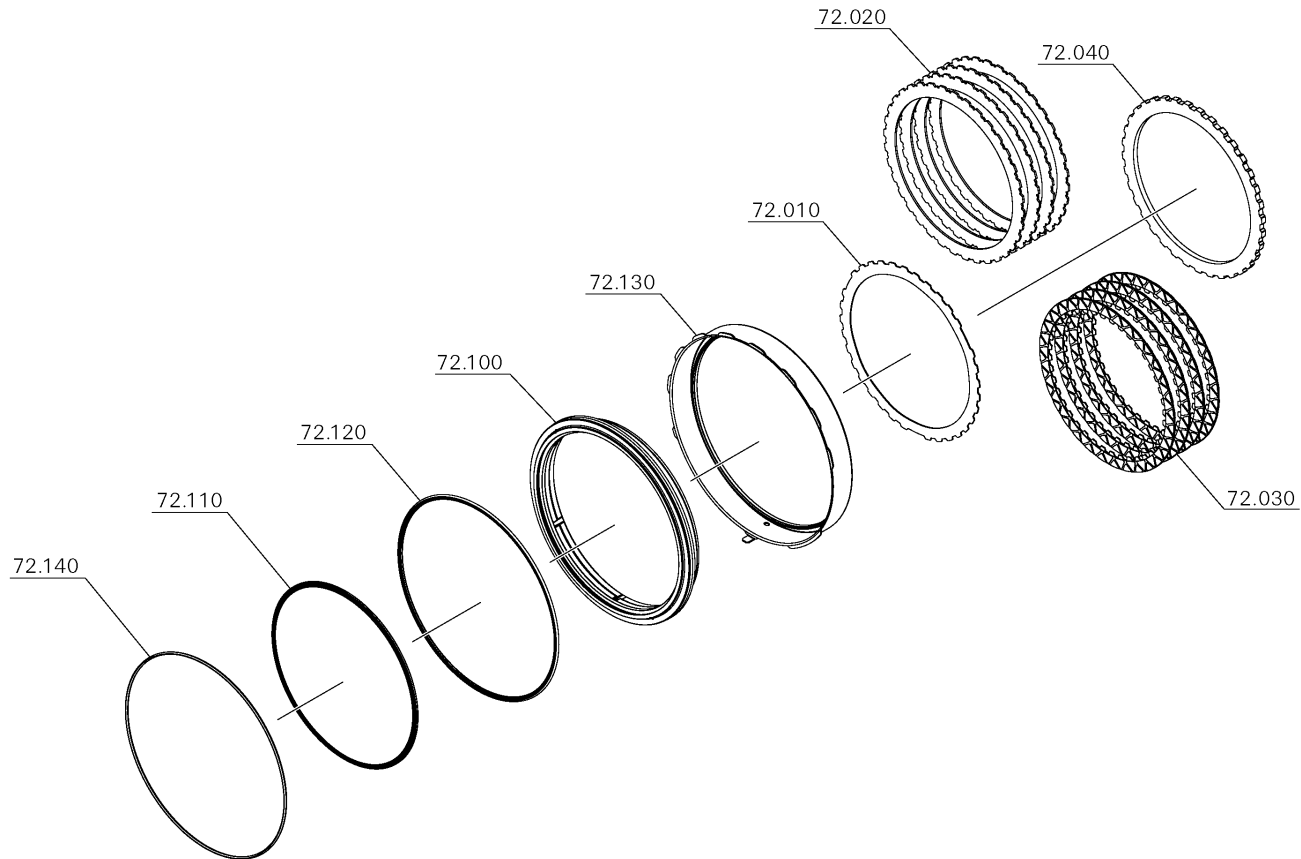
Material number: 1090.024.076

Picture: 1090_172_821

Material-assembly-group-no: 1090.172.821



8HP45X HIS / ()
COUPLING



Picture

Page 2 from 2

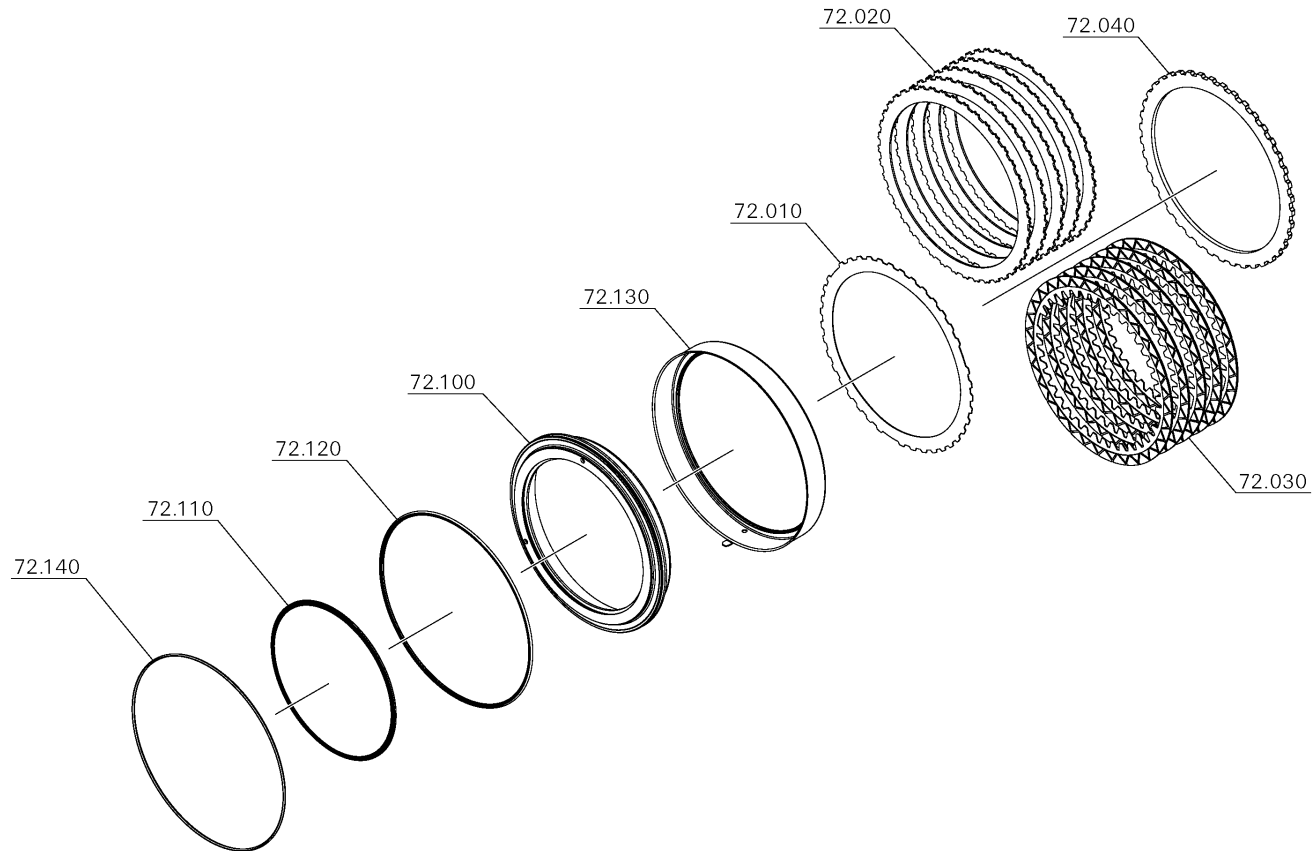
Material number: 1090.024.076

Picture: 1090_172_820

Material-assembly-group-no: 1090.172.821



8HP45X HIS / ()
COUPLING



Picture

Page 1 from 1

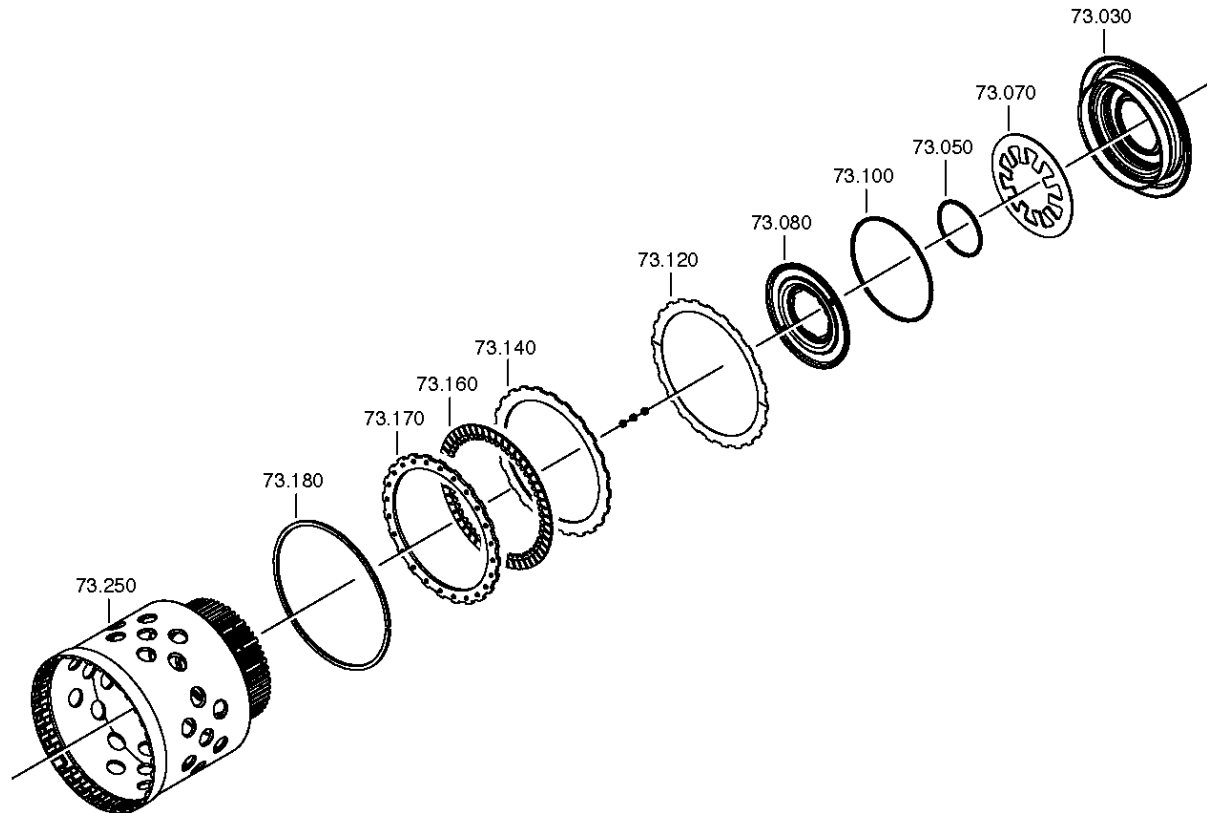
Material number: 1090.024.076

Picture: 176.73.01-1

Material-assembly-group-no: 1090.173.808



8HP45X HIS / ()
COUPLING



8 HP 45 xx

Picture

Page 1 from 1

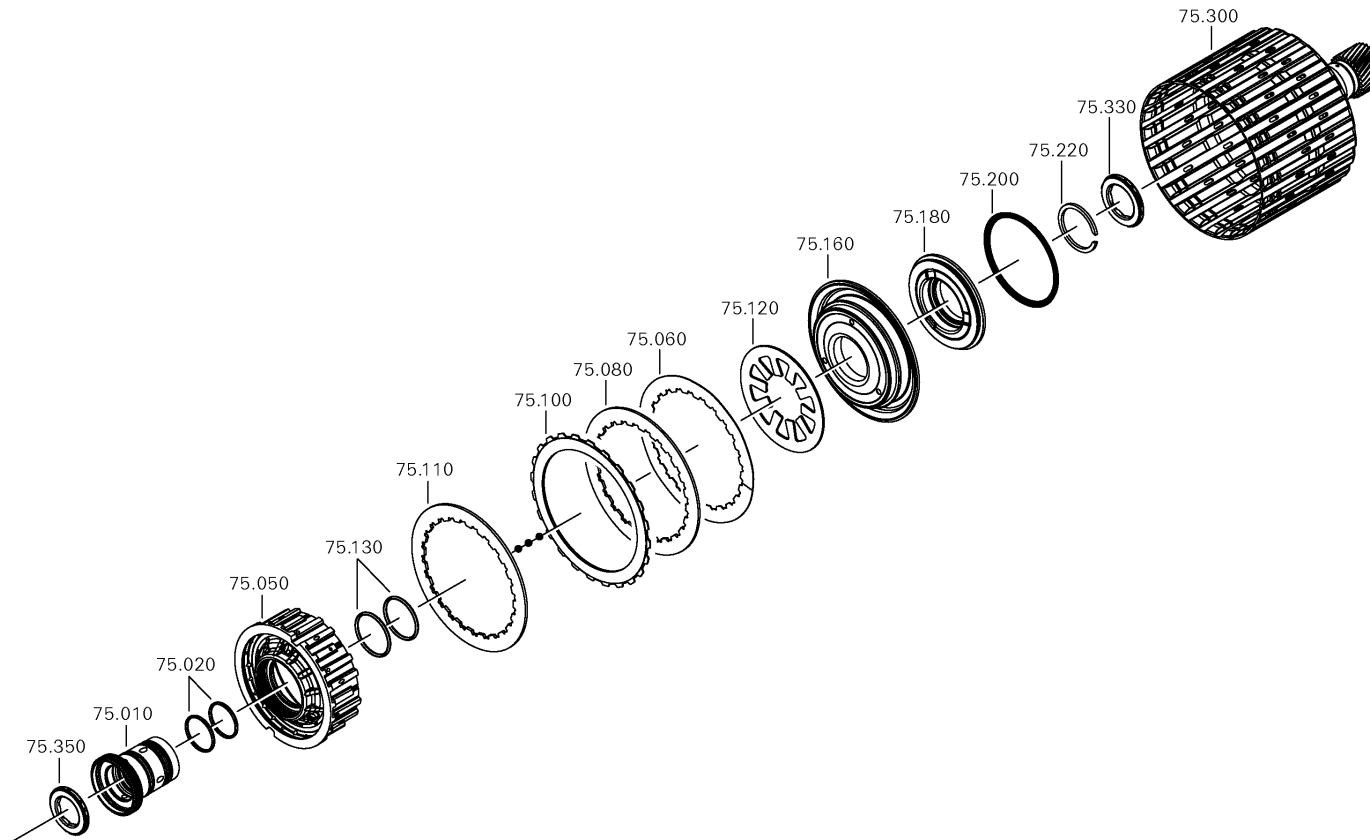
Material number: 1090.024.076

Picture: 176.75.1-1

Material-assembly-group-no: 1090.175.815



8HP45X HIS / ()
COUPLING



8 HP ...

Picture

Page 1 from 1

Material number: 1090.024.076

Picture: 1087_192_001

Material-assembly-group-no: 1090.192.028



8HP45X HIS / ()
CONSERVATION



Picture

Page 1 from 1

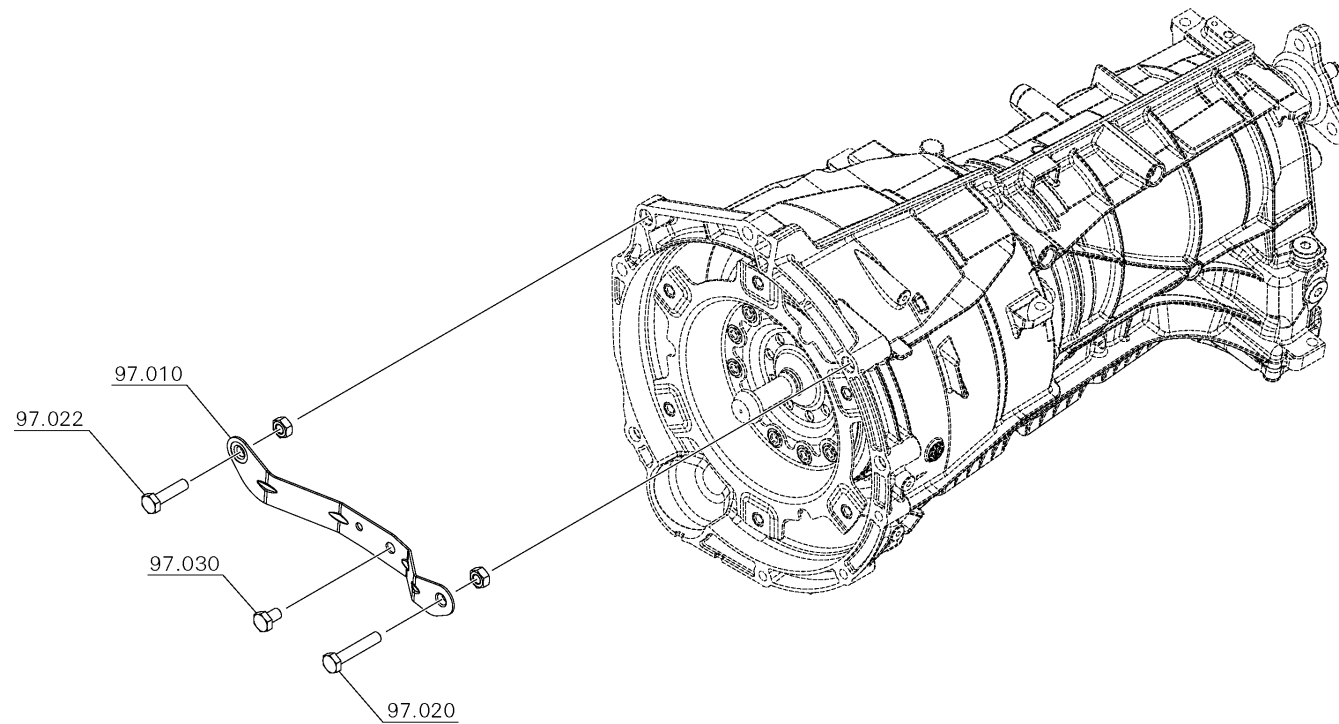
Material number: 1090.024.076

Picture: 1087_197_933

Material-assembly-group-no: 1087.197.933



8HP45X HIS / ()
PACKING



Picture

Page 1 from 1

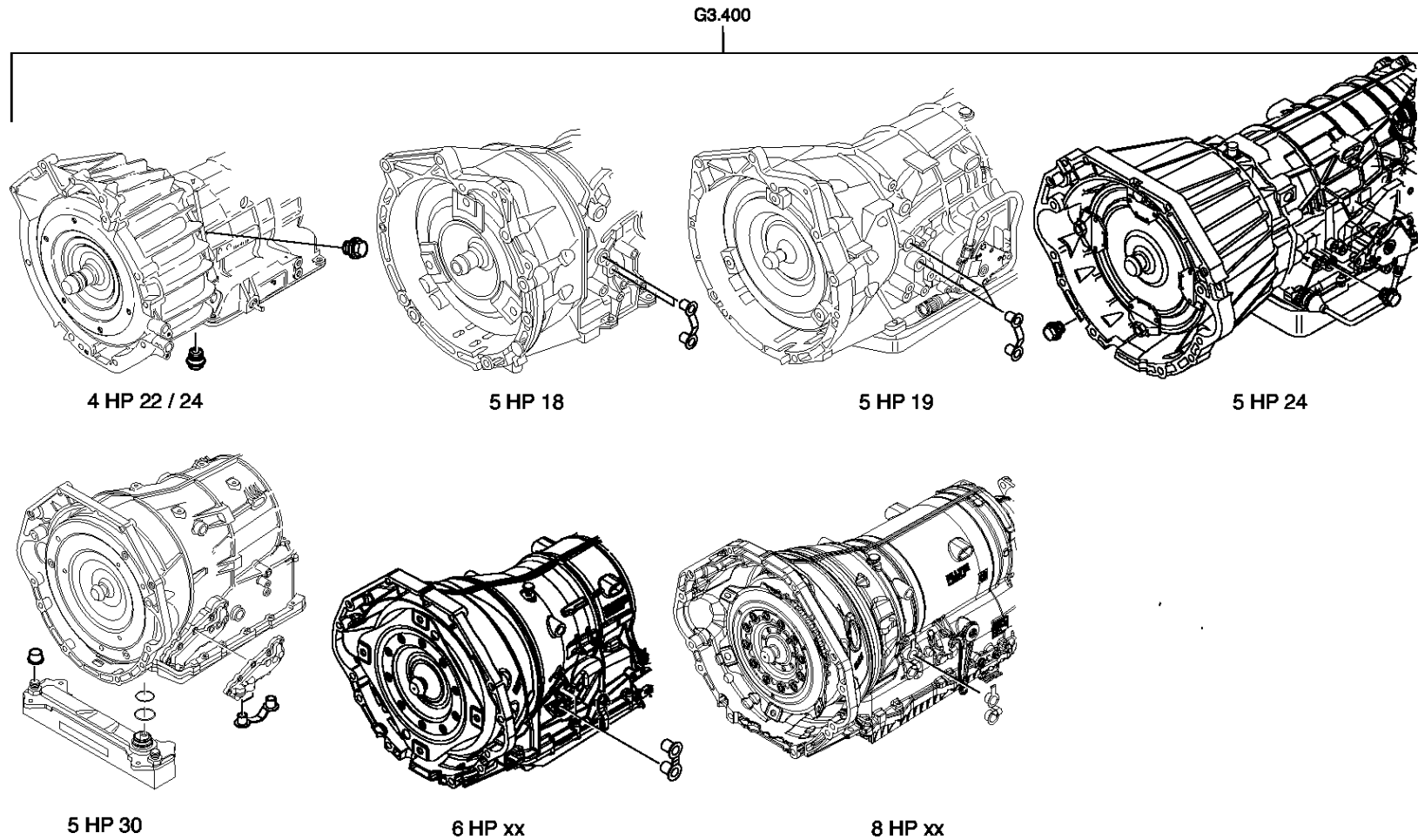
Material number: 1090.024.076

Picture: 009.G3.01-1

Material-assembly-group-no: 1043.298.121



8HP45X HIS / ()
CLOSING COMPONENTS



Picture

Page 1 from 1

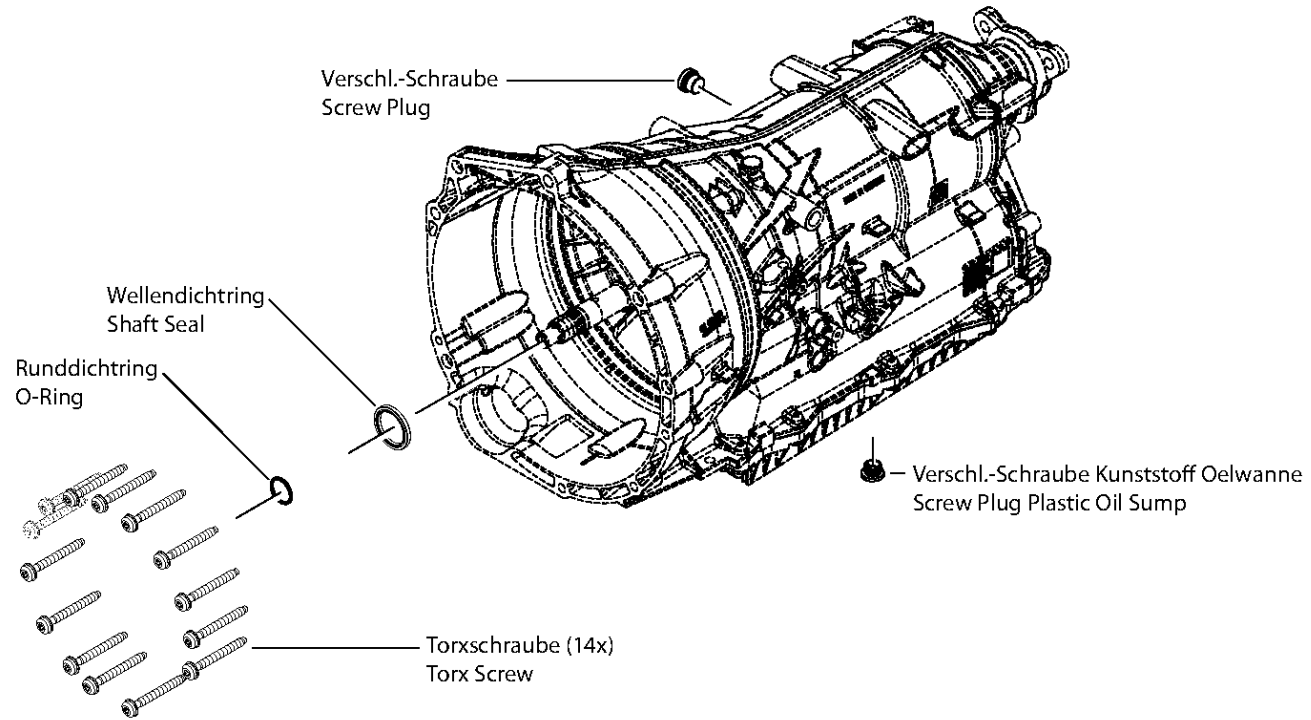
Material number: 1090.024.076

Picture: 168.22.11-1

Material-assembly-group-no: 1087.298.007



8HP45X HIS / ()
SEAL KIT



8 HP xx / X / HIS

Picture

Page 1 from 1

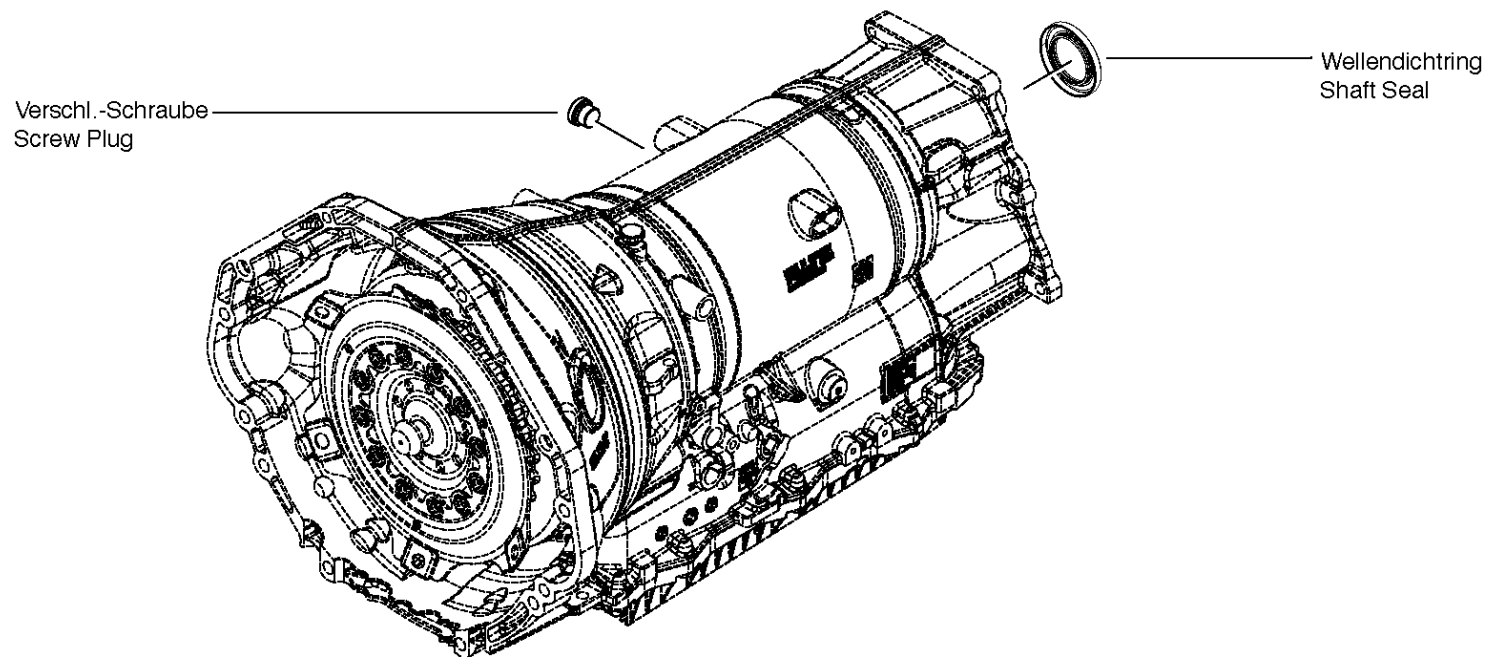
Material number: 1090.024.076

Picture: 168.14.03-1

Material-assembly-group-no: 1087.298.030



8HP45X HIS / ()
SEAL KIT



8 HP xx X

Picture

Page 1 from 1

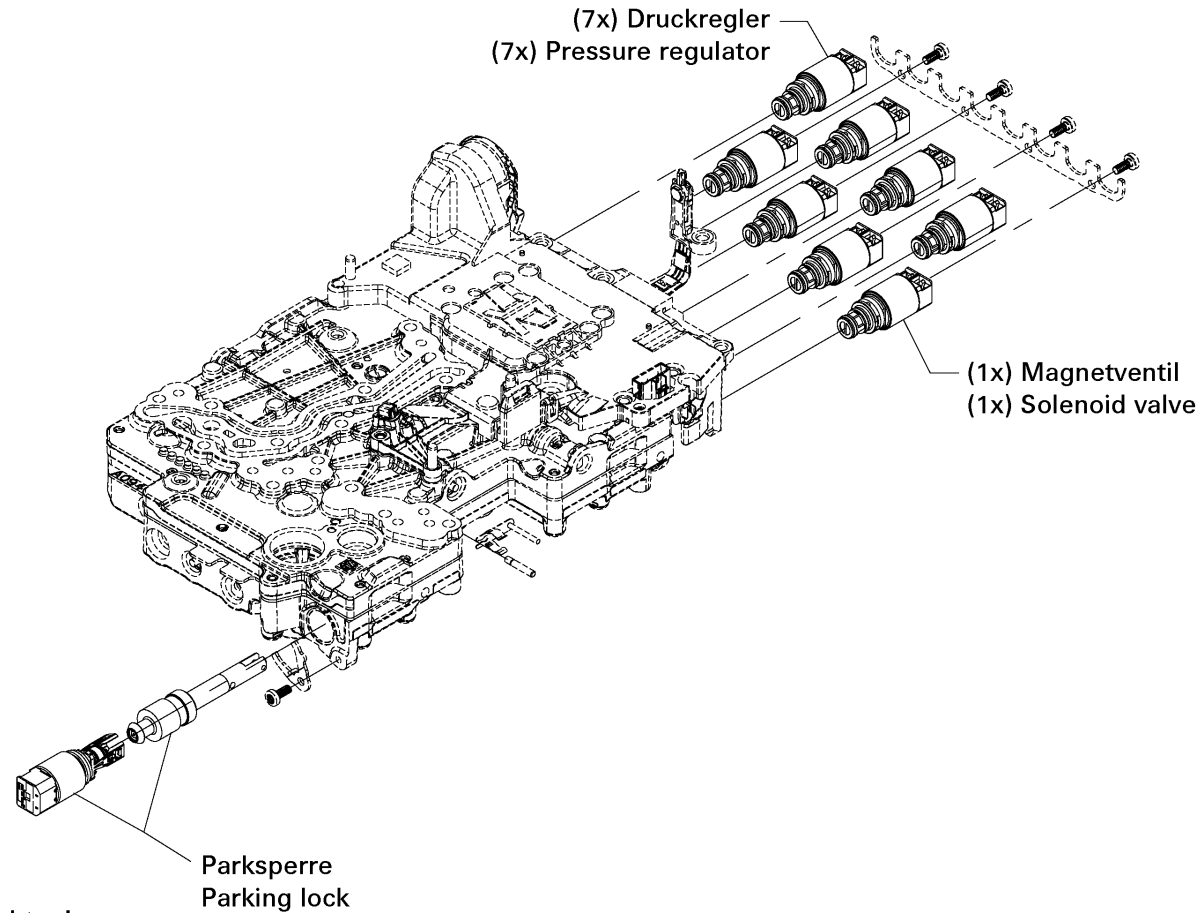
Material number: 1090.024.076

Picture: 1087_298_388_X3

Material-assembly-group-no: 1087.298.388



8HP45X HIS / ()
PRESSURE REGULATOR



Montagehinweis beachten!
Observe installation note!

8HP45
8HP70
8HP90

Picture

Page 1 from 1

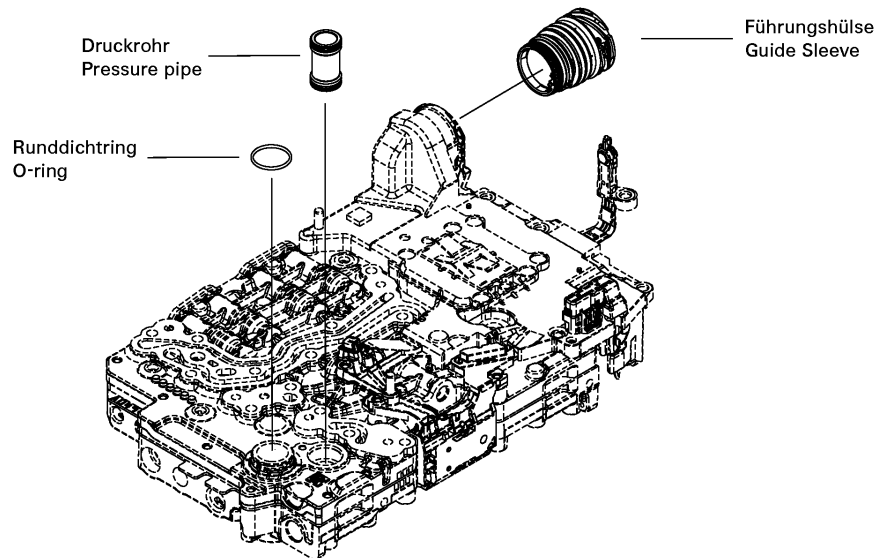
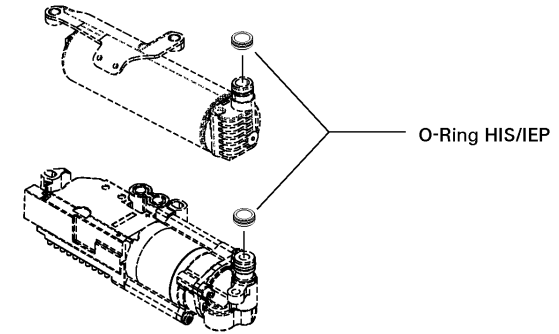
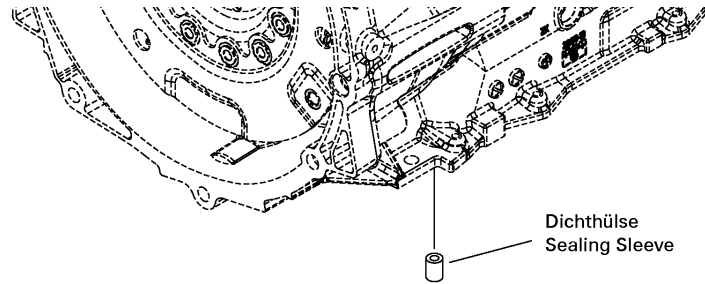
Material number: 1090.024.076

Picture: 1087_298_413_X3

Material-assembly-group-no: 1087.298.413



8HP45X HIS / ()
SEAL KIT



8HP45/X
8HP70/X/L

Picture

Page 1 from 1

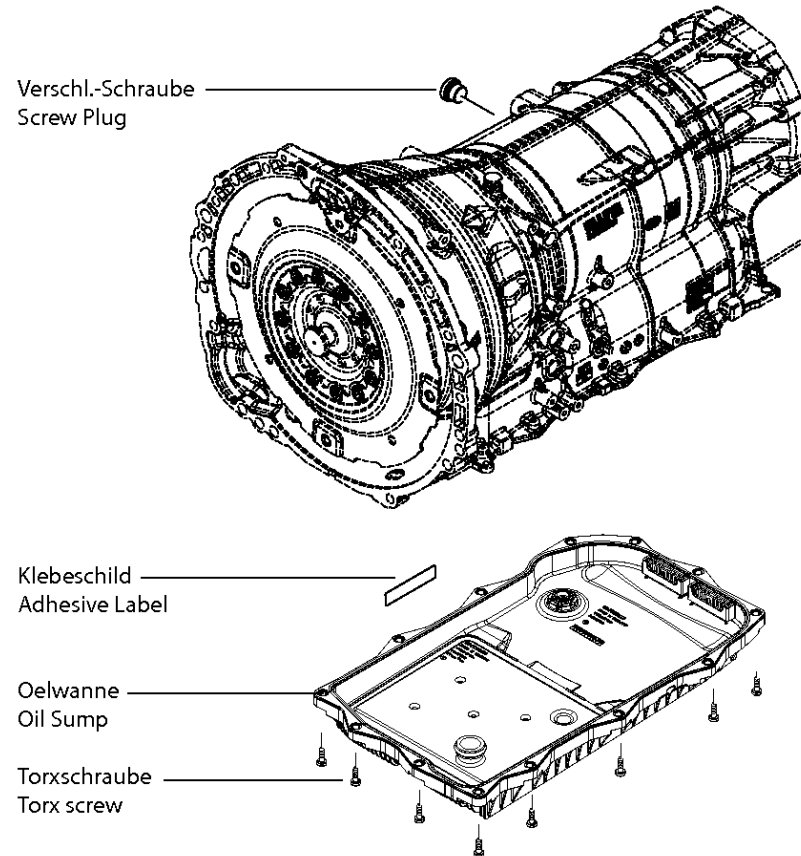
Material number: 1090.024.076

Picture: 168.03.04-1

Material-assembly-group-no: 1087.298.421



8HP45X HIS / ()
OIL PAN



8 HP 70 / X
L-R / Jag.

Picture

Page 1 from 1

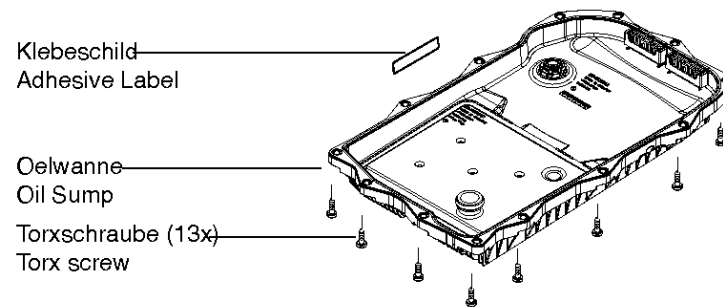
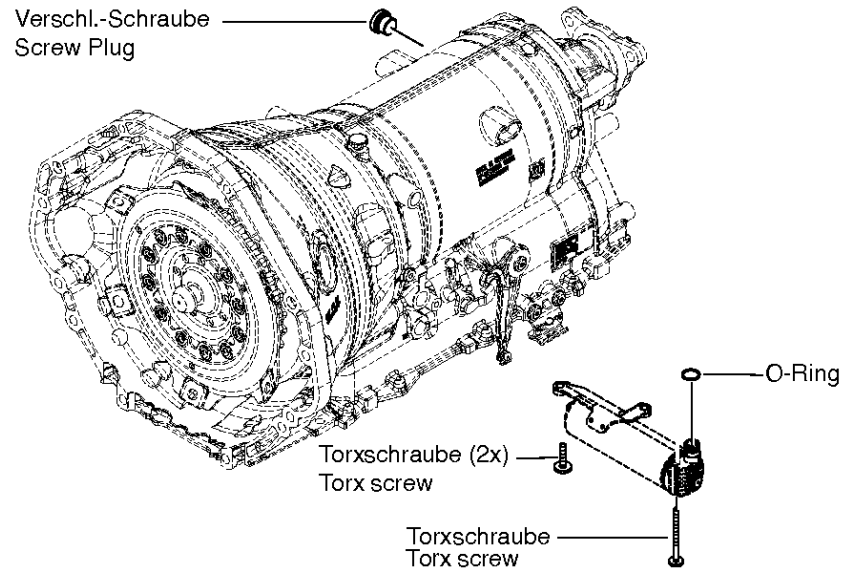
Material number: 1090.024.076

Picture: 168.28.31-1

Material-assembly-group-no: 1087.298.430



8HP45X HIS / ()
O-RING



8 HP xx H+HIS
BMW

Picture

Page 1 from 1

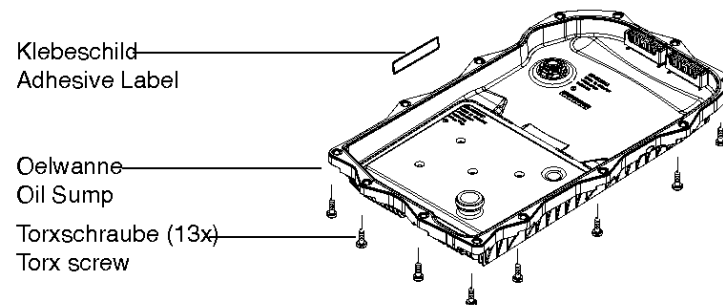
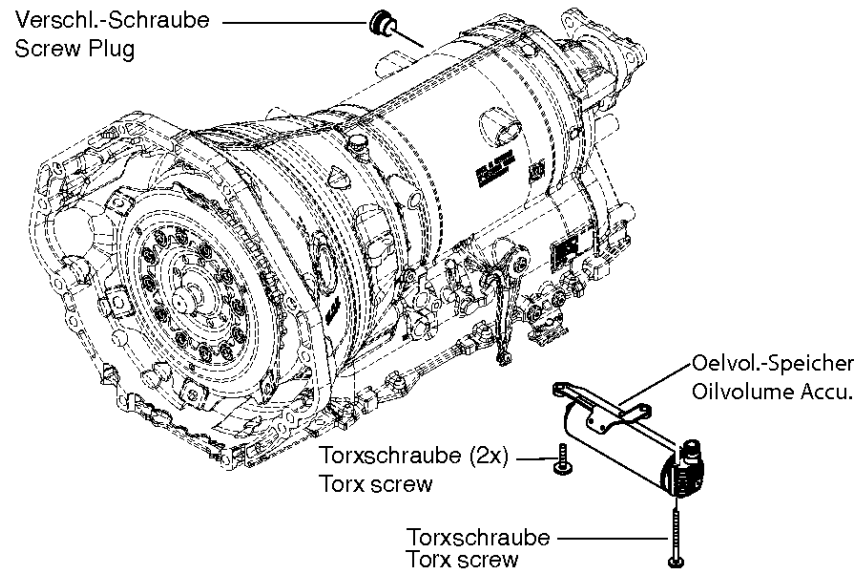
Material number: 1090.024.076

Picture: 168.28.21-1

Material-assembly-group-no: 1087.298.432



8HP45X HIS / ()
OILVOLUME ACCU.



8 HP xx H+HIS
BMW

Picture

Page 1 from 1

Material number: 1090.024.076

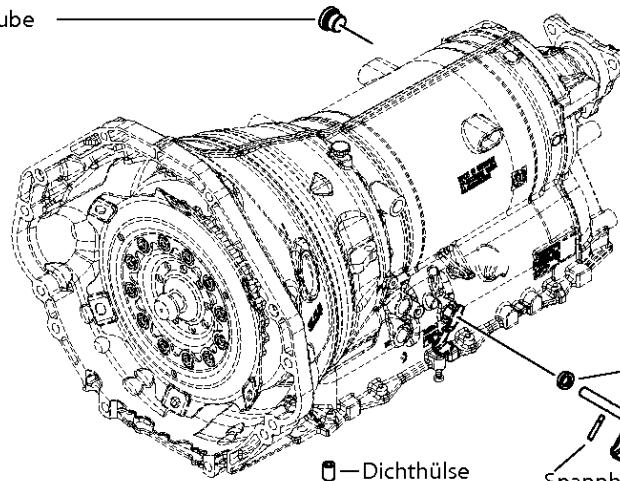
Picture: 168.06.21-1

Material-assembly-group-no: 1087.298.434



8HP45X HIS / ()
SHIFT SYSTEM

Verschl.-Schraube
Screw Plug

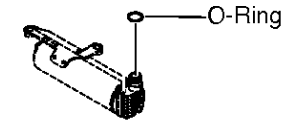


Wellendichtring
Shaft Seal

Wählwelle
Selector Shaft

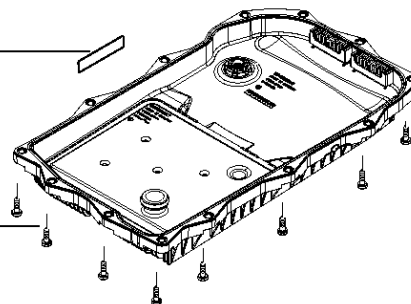
Dichthülse
Sealing Sleeve

Spannhülse
Clamping Sleeve



Klebeschild
Adhesive Label

Torxschraube
Torx screw



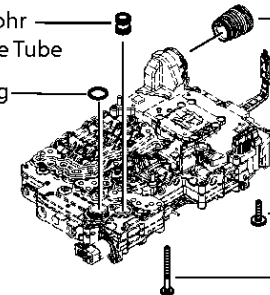
Druckrohr
Pressure Tube

O-Ring

Führungshülse
Guide Sleeve

Torxschraube (4x)
Torx screw (H+HIS 5x)

Torxschraube (14x)
Torx screw (H+HIS 15x)



8 HP 45 / 70
BMW

Picture

Page 1 from 1

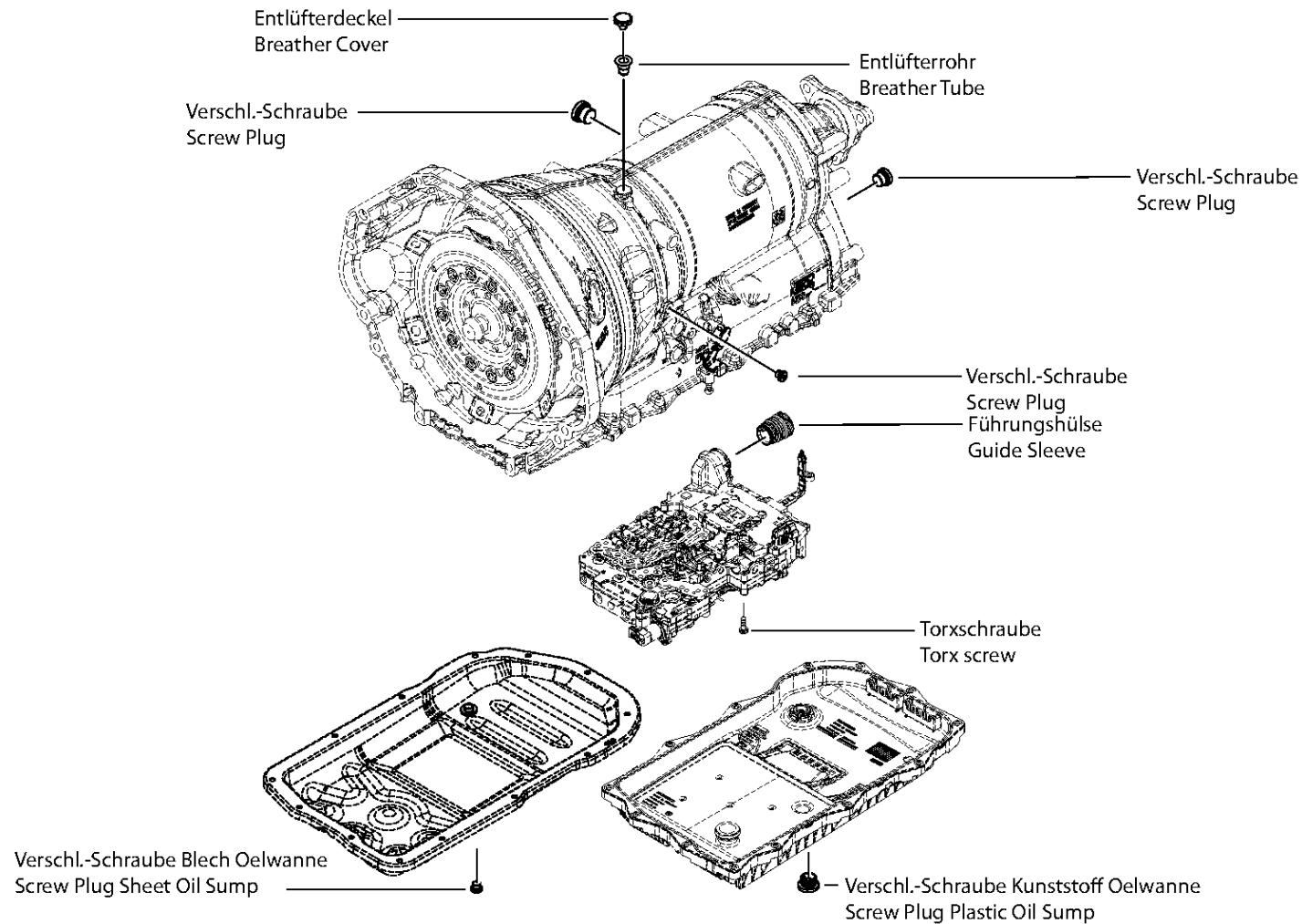
Material number: 1090.024.076

Picture: 177.01.11-1

Material-assembly-group-no: 1087.298.445



8HP45X HIS / ()
SMALL COMPONENTS SET



Picture

Page 1 from 1

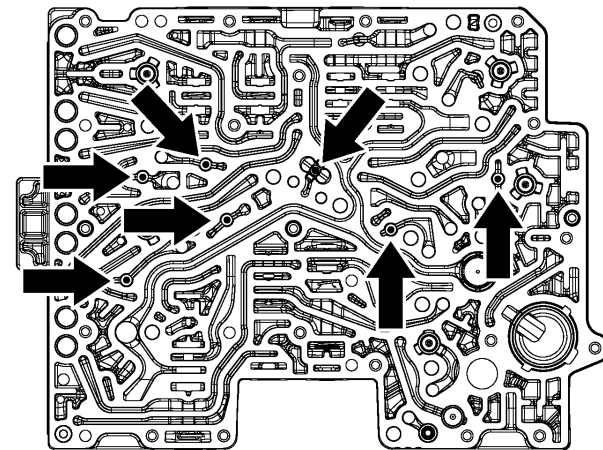
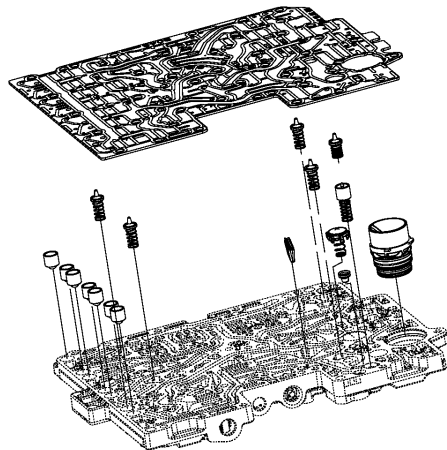
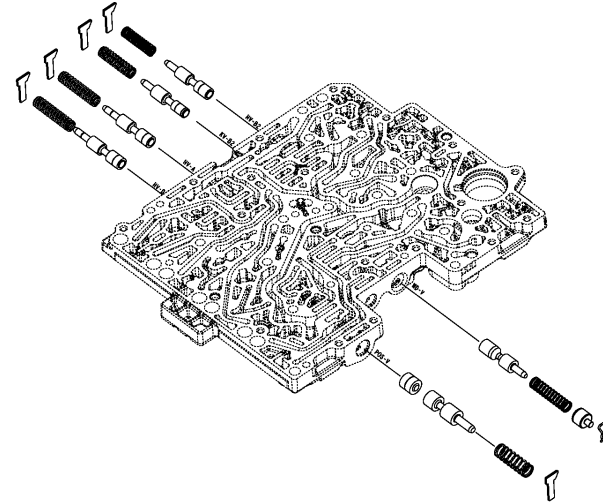
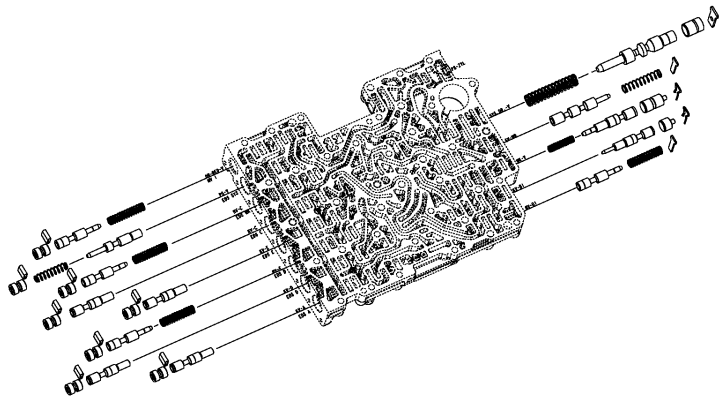
Material number: 1090.024.076

Picture: 1087_298_603

Material-assembly-group-no: 1087.298.502



8HP45X HIS / ()
REPAIR KIT VALVE



E26/1

Picture

Page 1 from 1

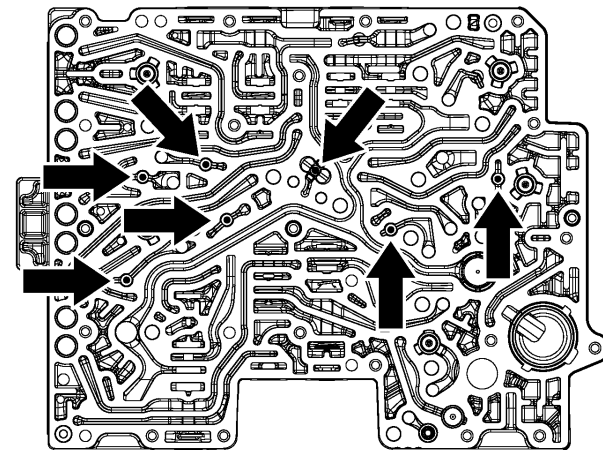
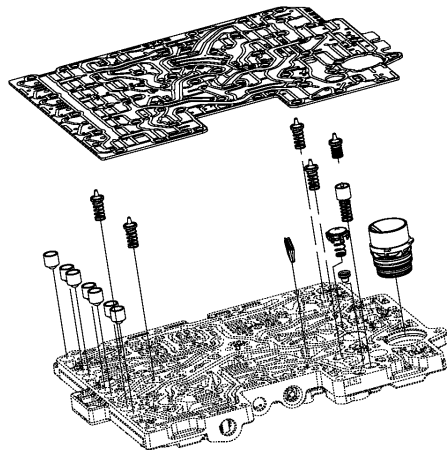
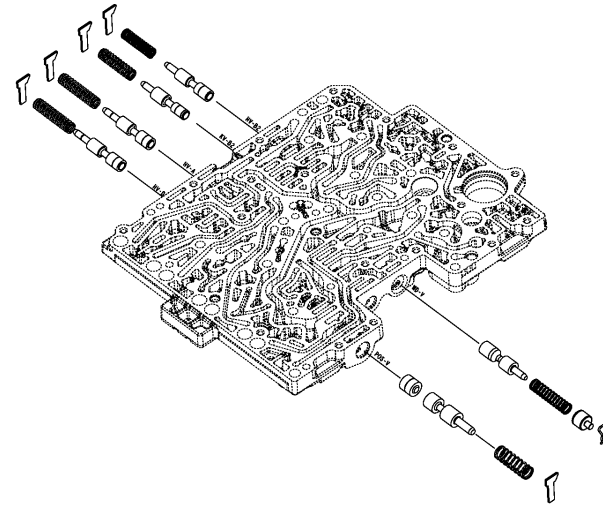
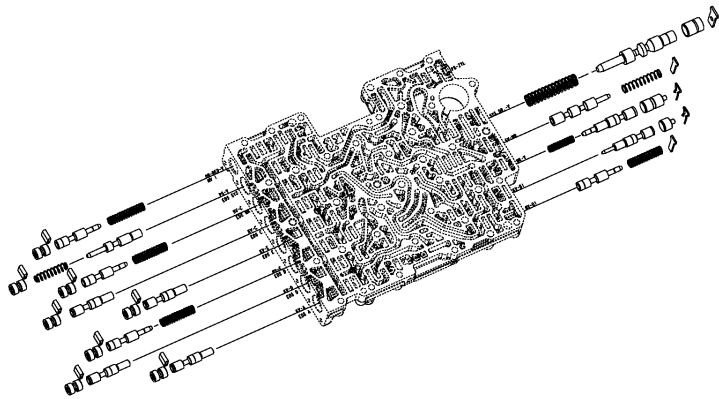
Material number: 1090.024.076

Picture: 1087_298_603

Material-assembly-group-no: 1087.298.503



8HP45X HIS / ()
REPAIR KIT VALVE



E26/1

Picture

Page 1 from 1

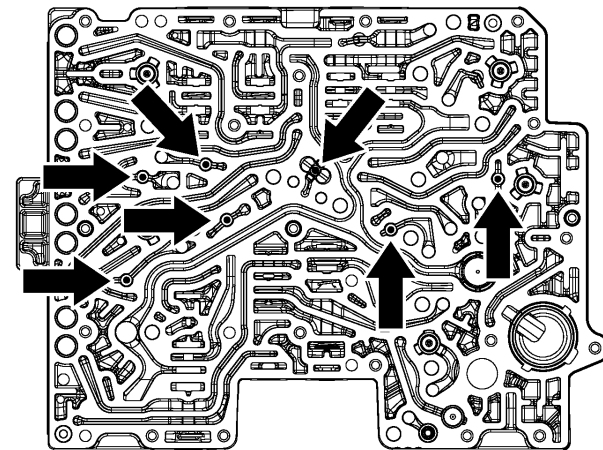
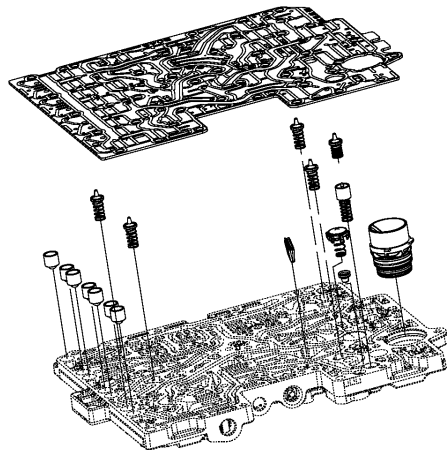
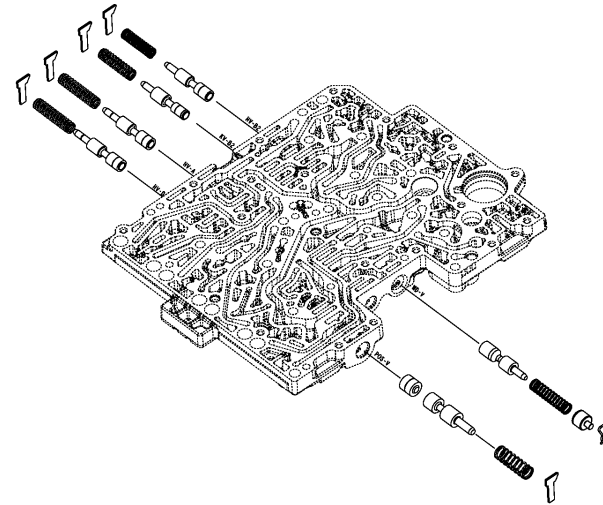
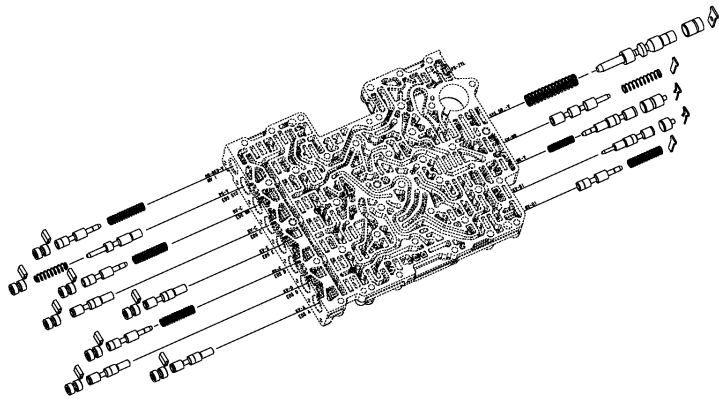
Material number: 1090.024.076

Picture: 1087_298_603

Material-assembly-group-no: 1087.298.504



8HP45X HIS / ()
REPAIR KIT VALVE



E26/1

Picture

Page 1 from 1

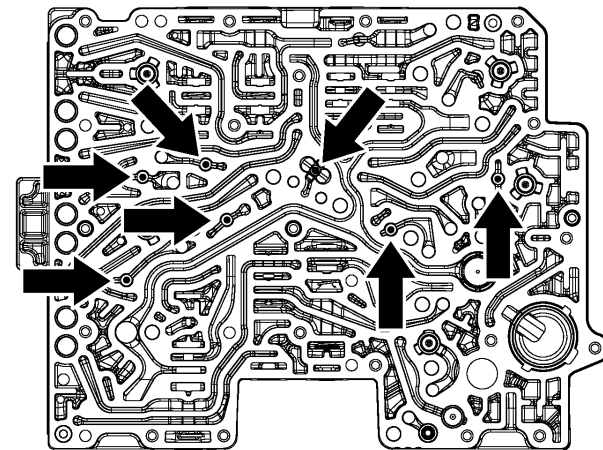
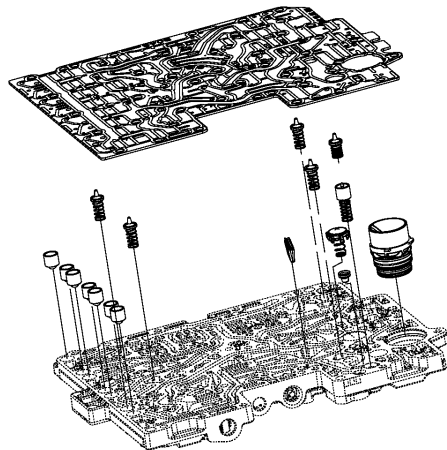
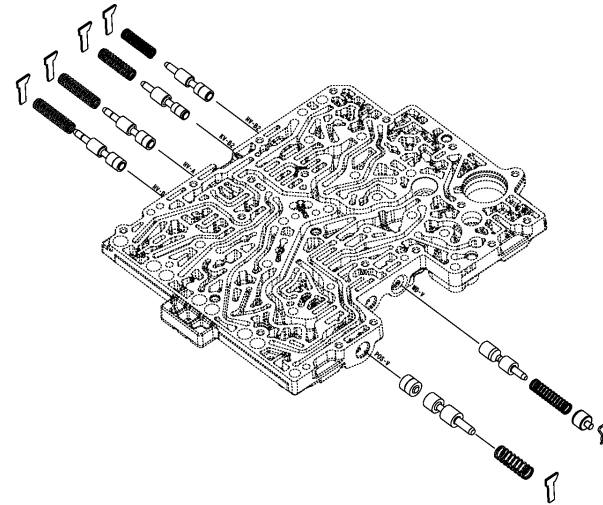
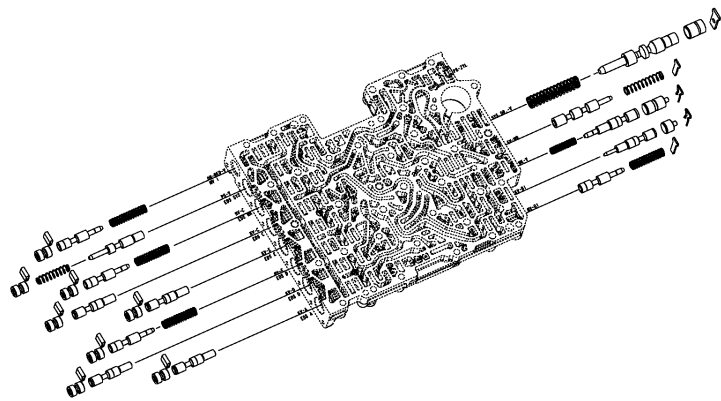
Material number: 1090.024.076

Picture: 1087_298_603

Material-assembly-group-no: 1087.298.505



8HP45X HIS / ()
REPAIR KIT VALVE



E26/1

Picture

Page 1 from 1

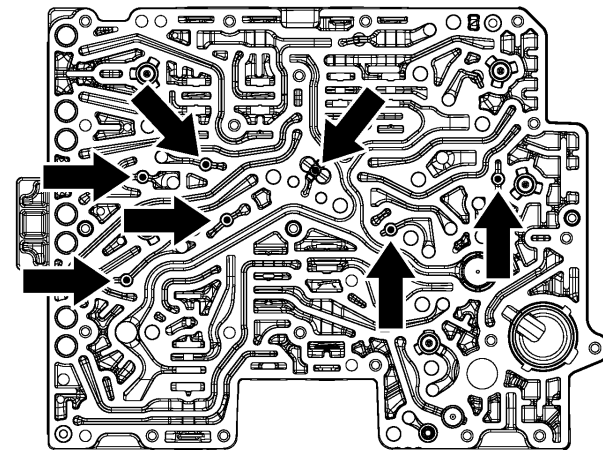
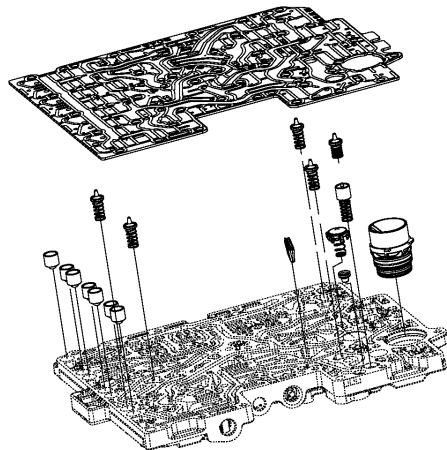
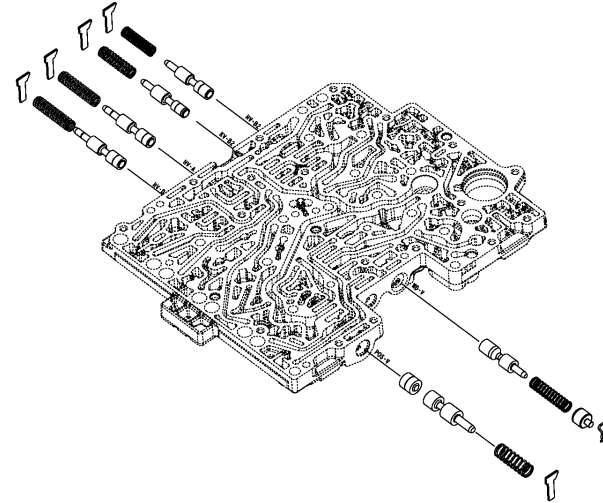
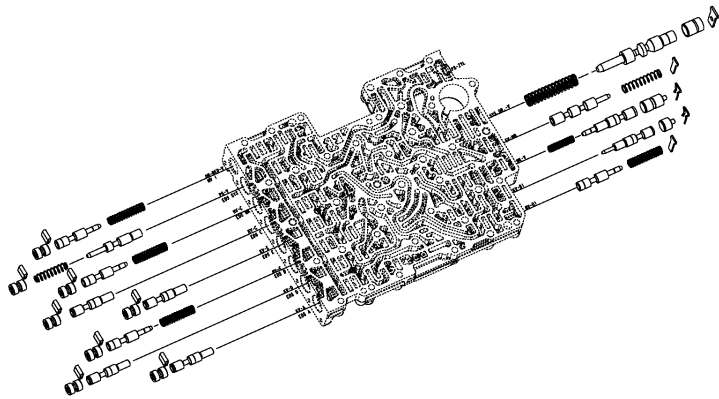
Material number: 1090.024.076

Picture: 1087_298_603

Material-assembly-group-no: 1087.298.506



8HP45X HIS / ()
REPAIR KIT VALVE



E26/1

Picture

Page 1 from 1

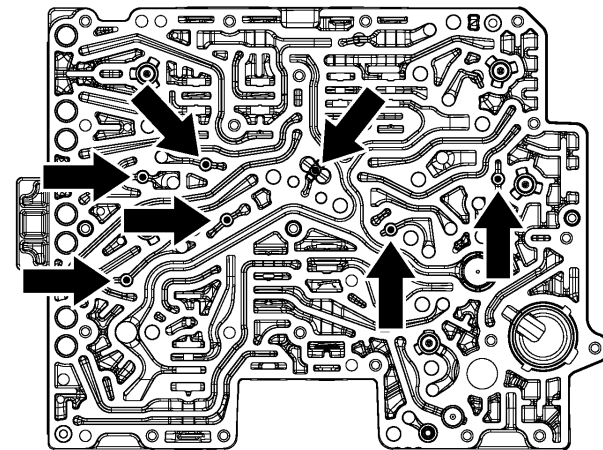
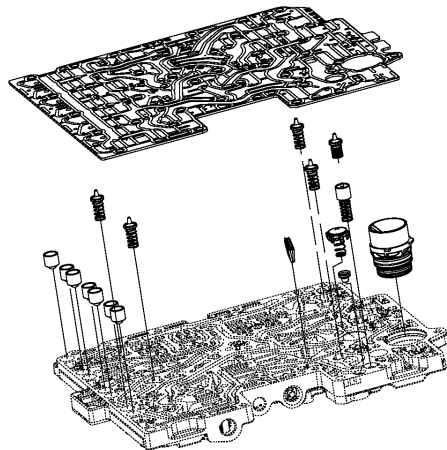
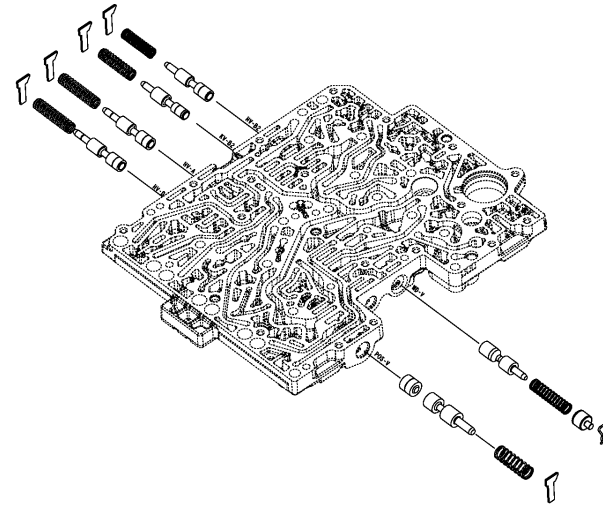
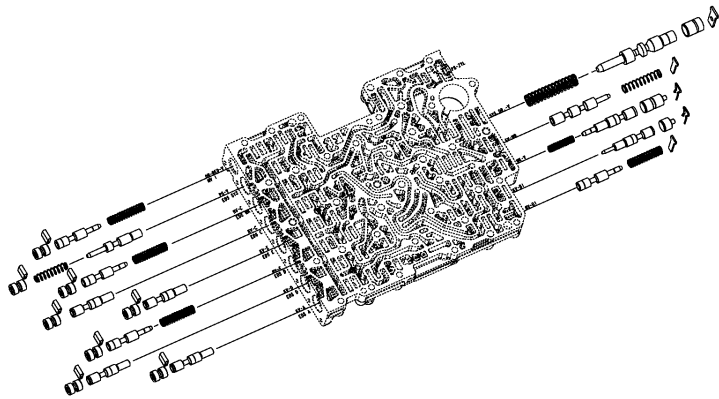
Material number: 1090.024.076

Picture: 1087_298_603

Material-assembly-group-no: 1087.298.507



8HP45X HIS / ()
REPAIR KIT VALVE



E26/1

Picture

Page 1 from 1

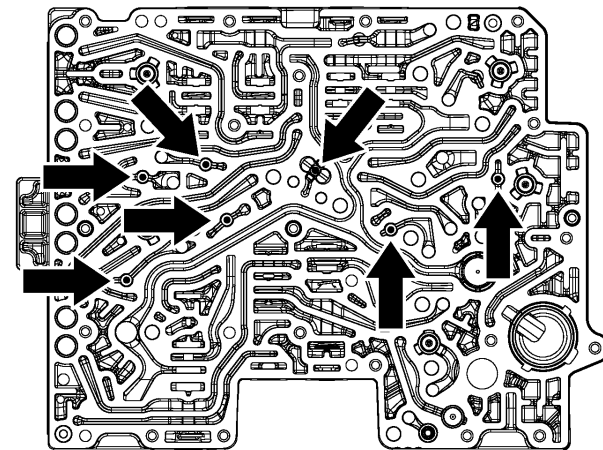
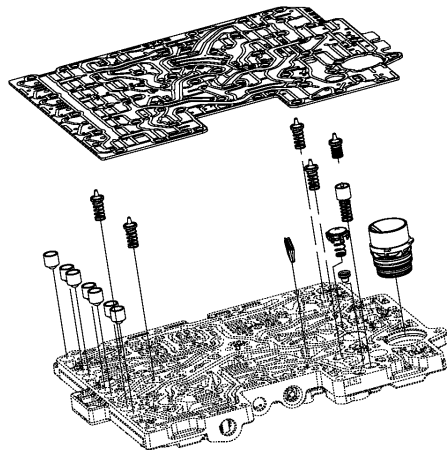
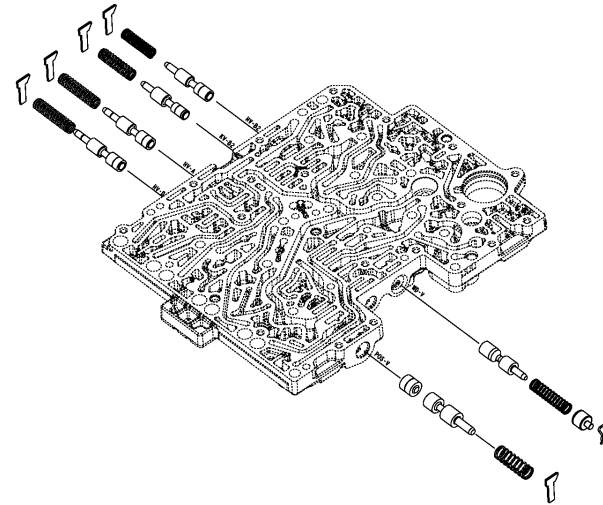
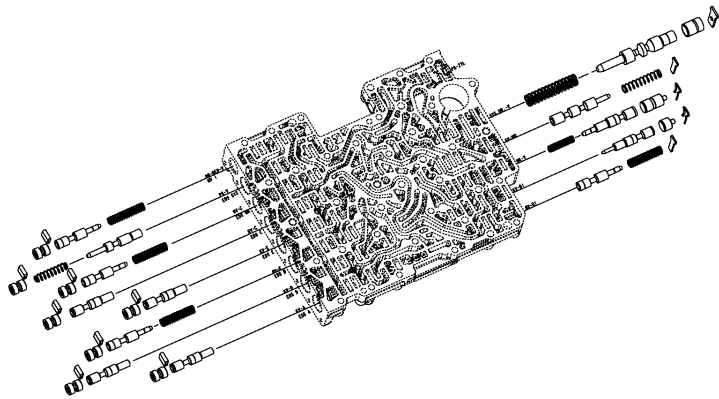
Material number: 1090.024.076

Picture: 1087_298_603

Material-assembly-group-no: 1087.298.508



8HP45X HIS / ()
REPAIR KIT VALVE



E26/1

Picture

Page 1 from 1

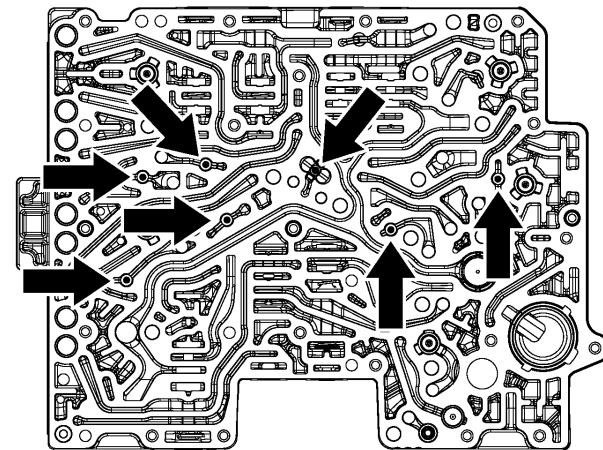
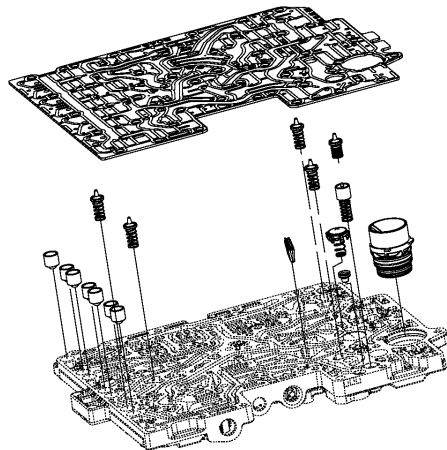
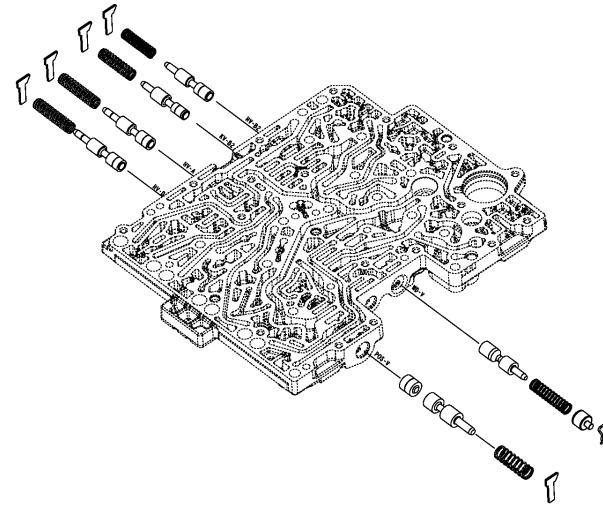
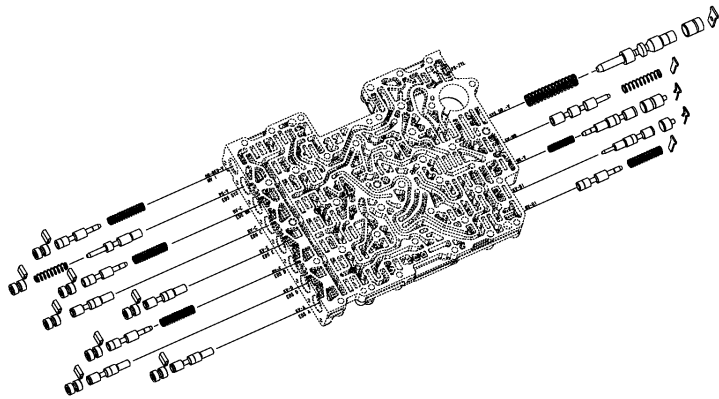
Material number: 1090.024.076

Picture: 1087_298_603

Material-assembly-group-no: 1087.298.509



8HP45X HIS / ()
REPAIR KIT VALVE



E26/1

Picture

Page 1 from 1

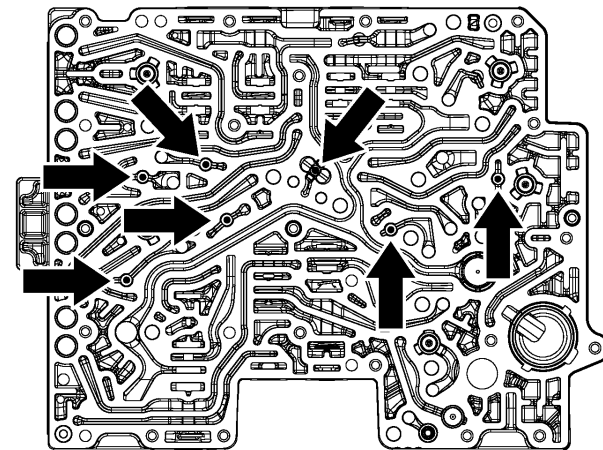
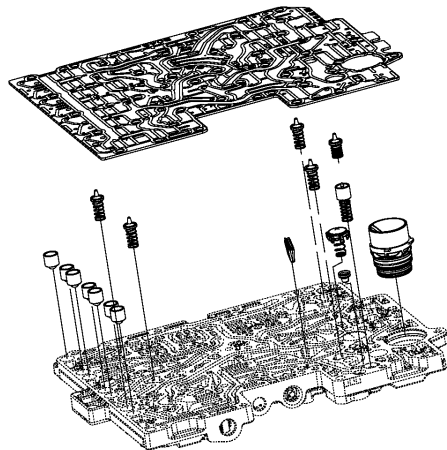
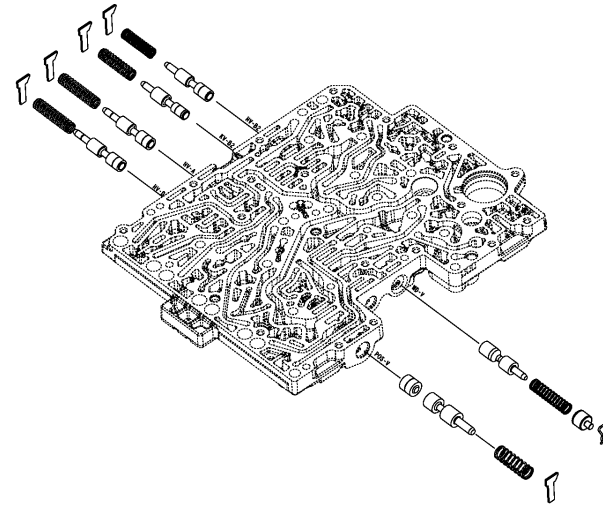
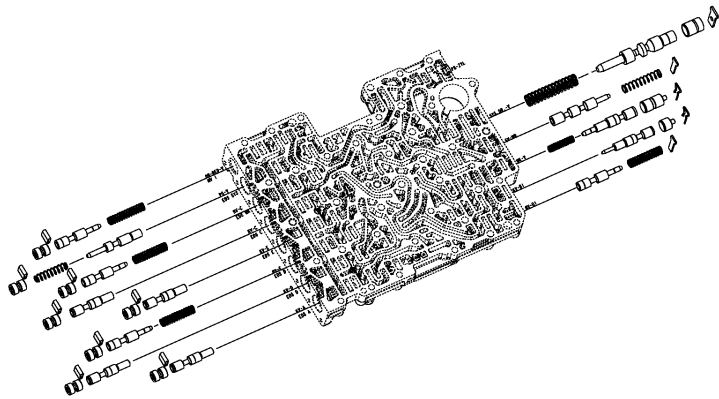
Material number: 1090.024.076

Picture: 1087_298_603

Material-assembly-group-no: 1087.298.510



8HP45X HIS / ()
REPAIR KIT VALVE



E26/1

Picture

Page 1 from 1

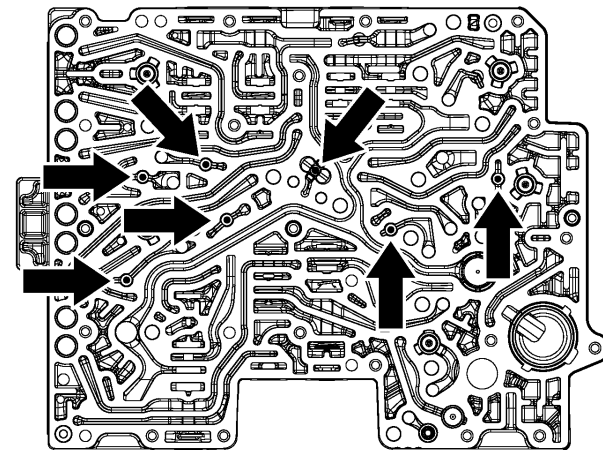
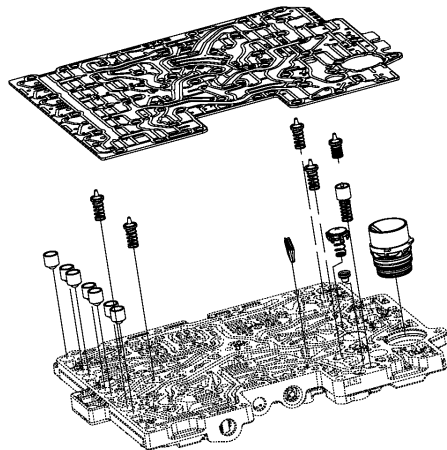
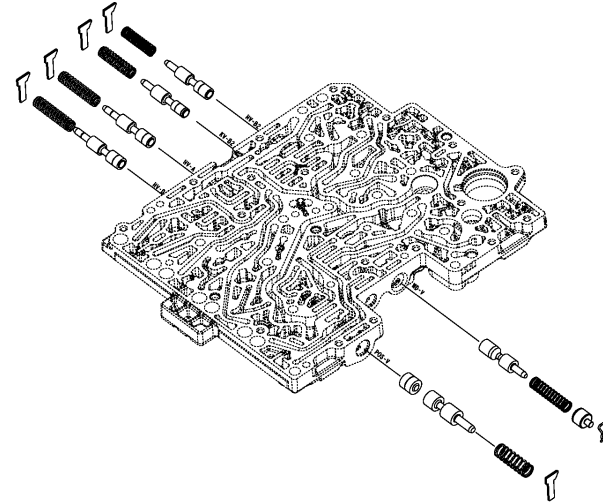
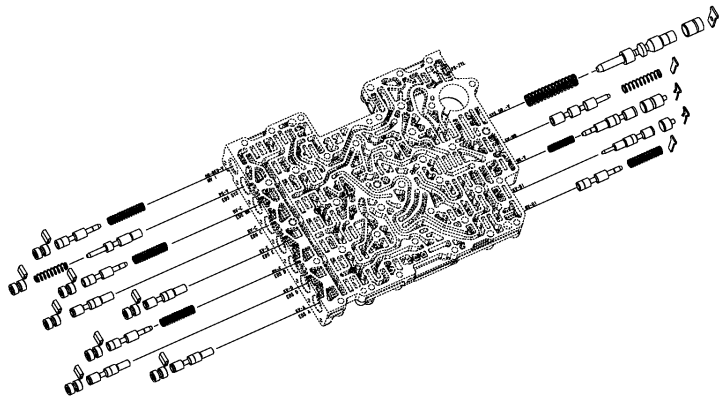
Material number: 1090.024.076

Picture: 1087_298_603

Material-assembly-group-no: 1087.298.511



8HP45X HIS / ()
REPAIR KIT VALVE



E26/1

Picture

Page 1 from 1

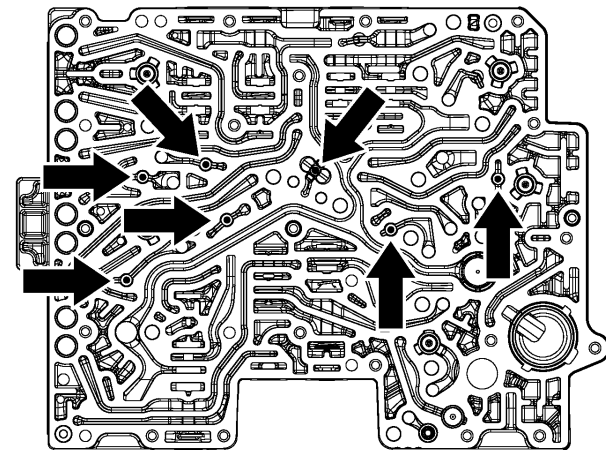
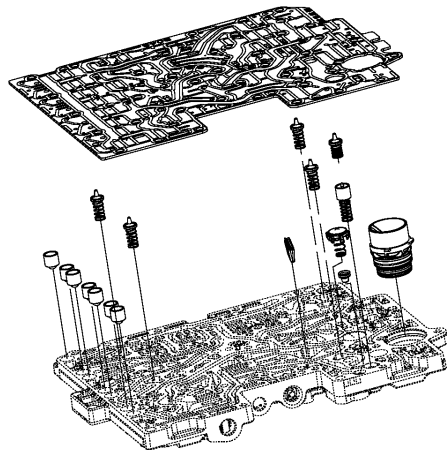
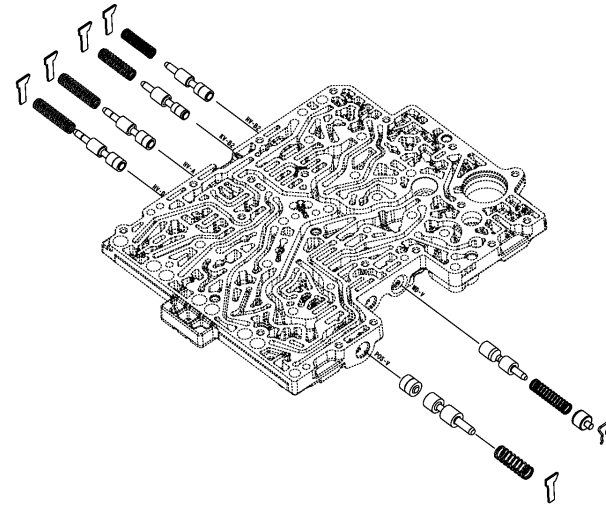
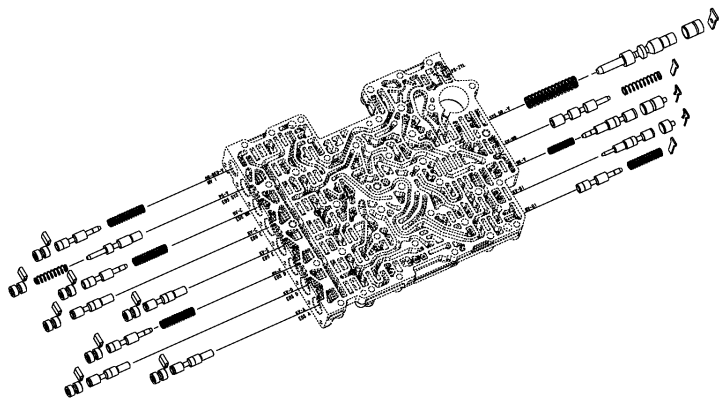
Material number: 1090.024.076

Picture: 1087_298_603

Material-assembly-group-no: 1087.298.512



8HP45X HIS / ()
REPAIR KIT VALVE



E26/1

Picture

Page 1 from 1

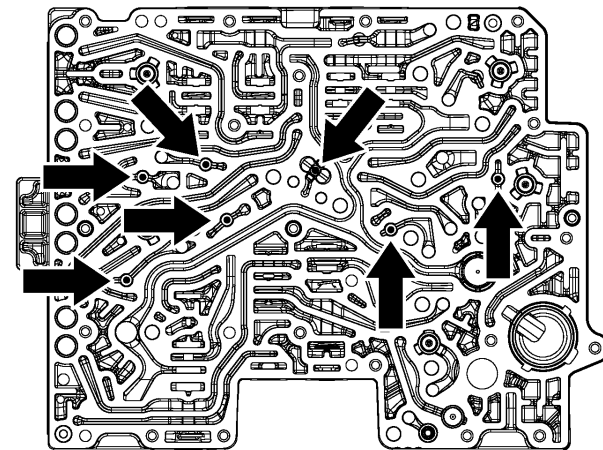
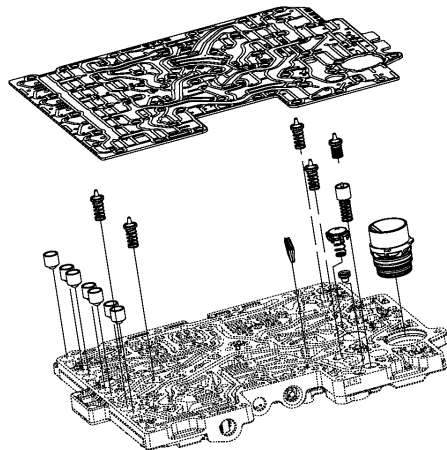
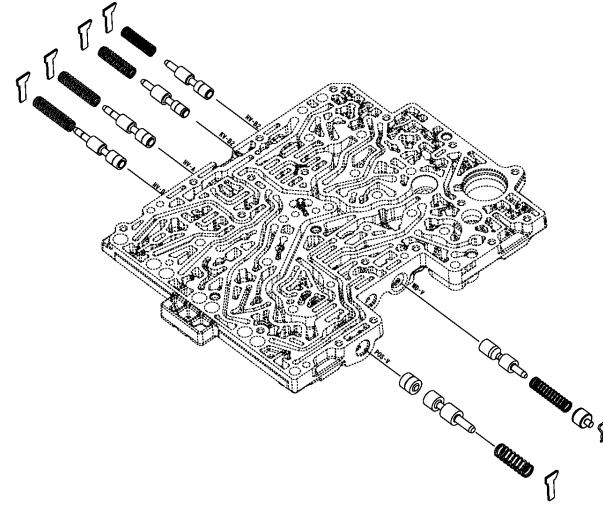
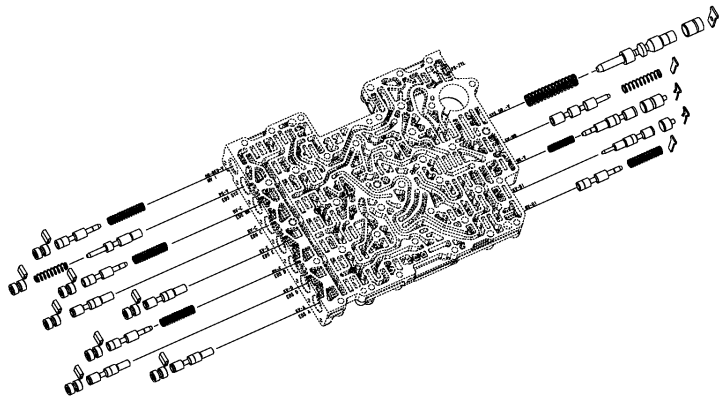
Material number: 1090.024.076

Picture: 1087_298_603

Material-assembly-group-no: 1087.298.513



8HP45X HIS / ()
REPAIR KIT VALVE



E26/1

Picture

Page 1 from 1

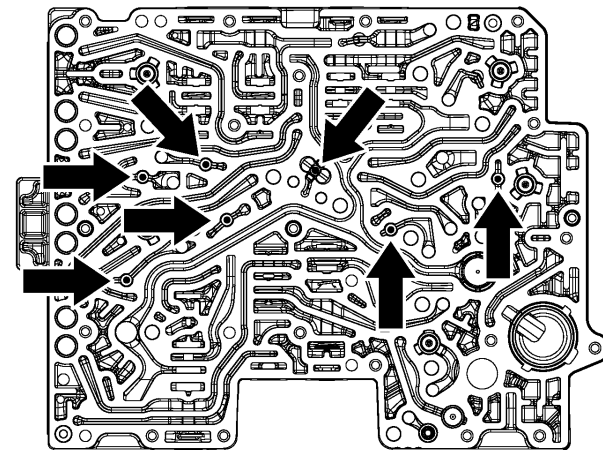
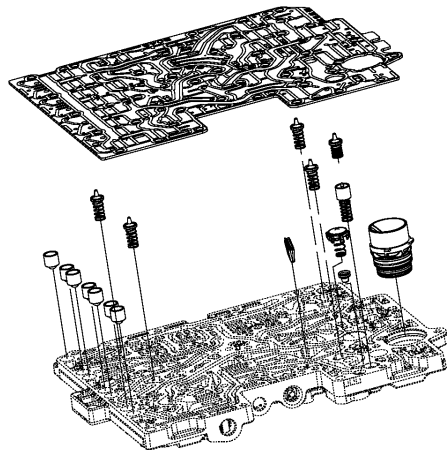
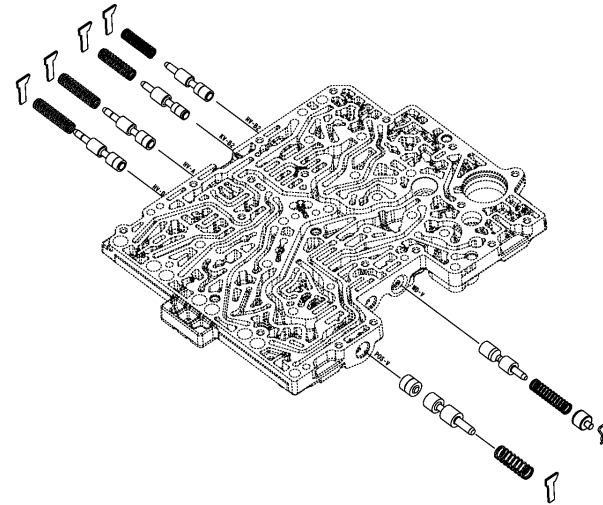
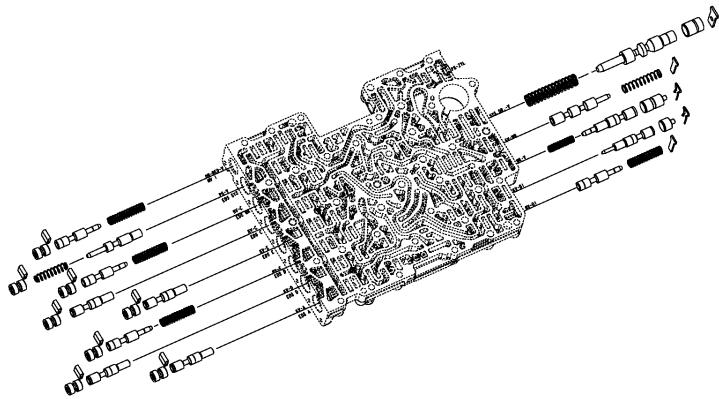
Material number: 1090.024.076

Picture: 1087_298_603

Material-assembly-group-no: 1087.298.514



8HP45X HIS / ()
REPAIR KIT VALVE



E26/1

Picture

Page 1 from 1

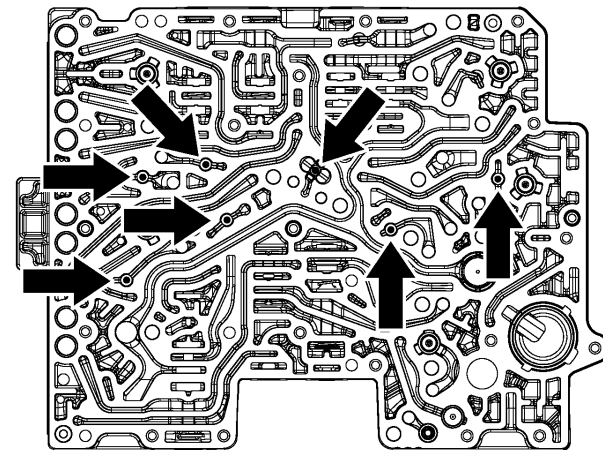
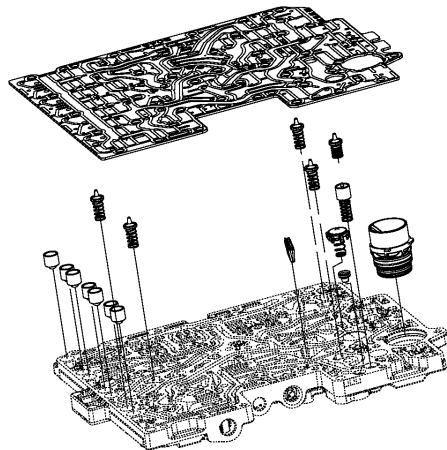
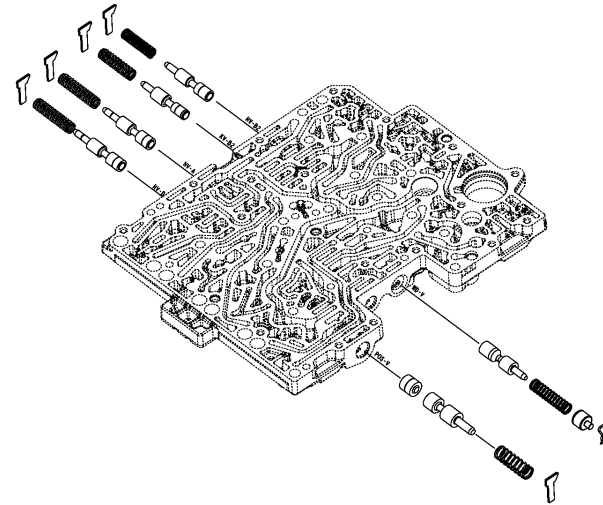
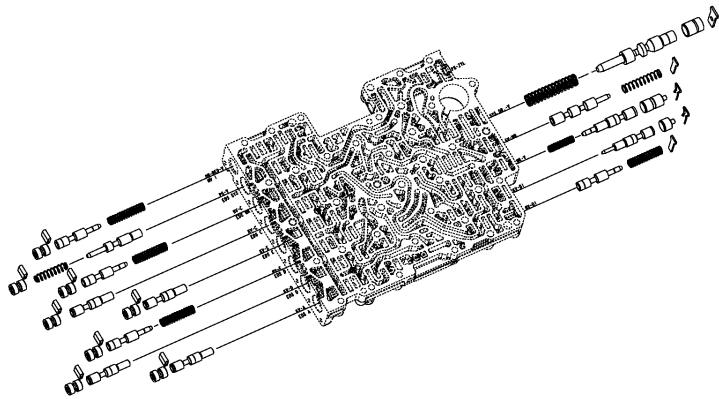
Material number: 1090.024.076

Picture: 1087_298_603

Material-assembly-group-no: 1087.298.517



8HP45X HIS / ()
REPAIR KIT VALVE



E26/1

Picture

Page 1 from 1

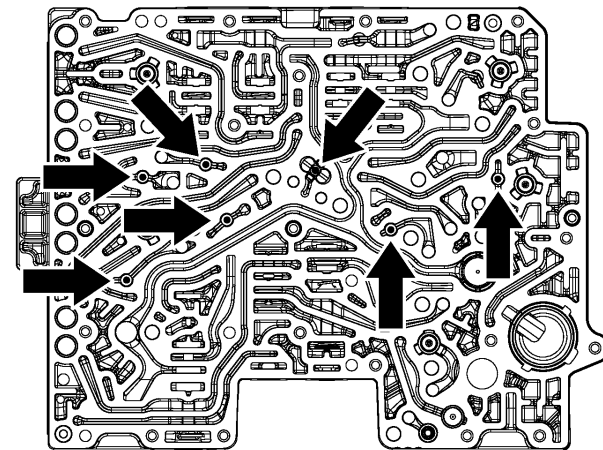
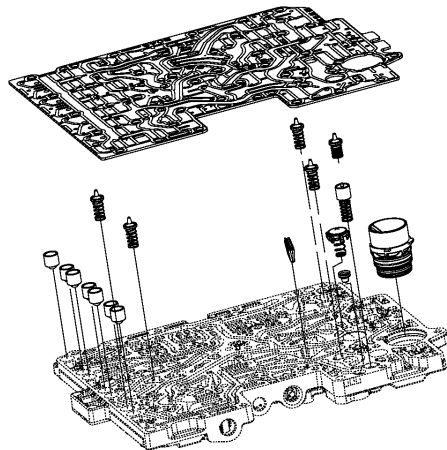
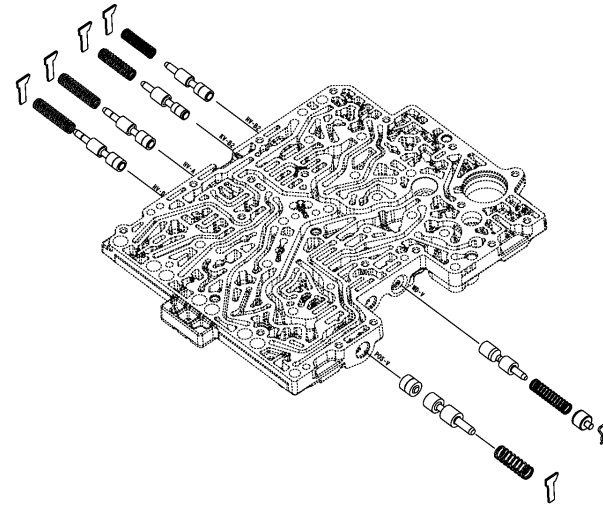
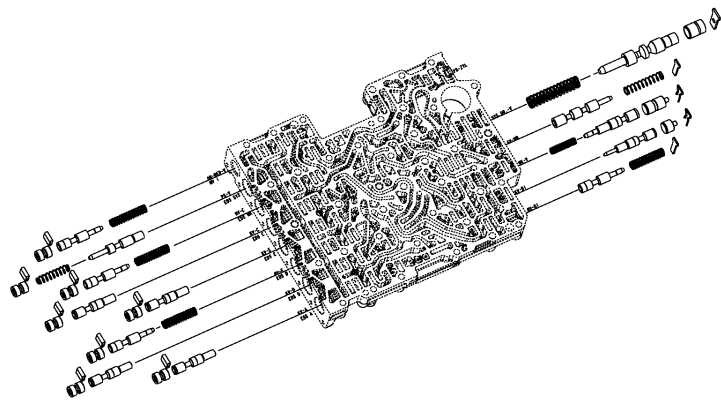
Material number: 1090.024.076

Picture: 1087_298_603

Material-assembly-group-no: 1087.298.536



8HP45X HIS / ()
REPAIR KIT VALVE



E26/1

Picture

Page 1 from 1

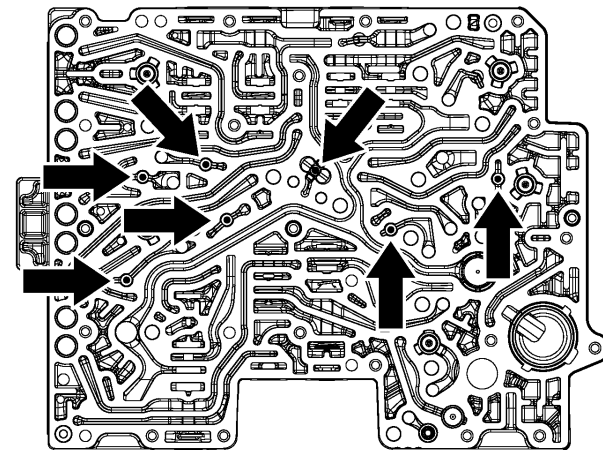
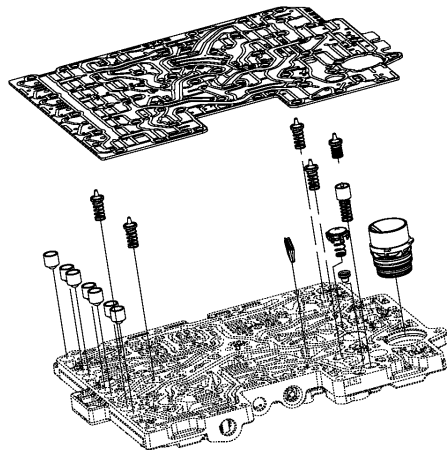
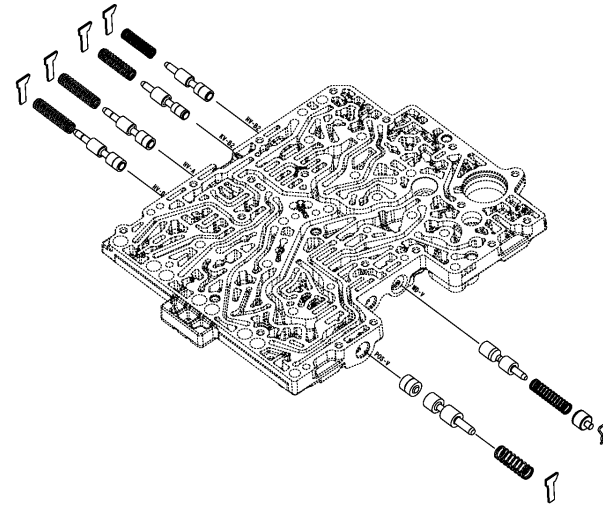
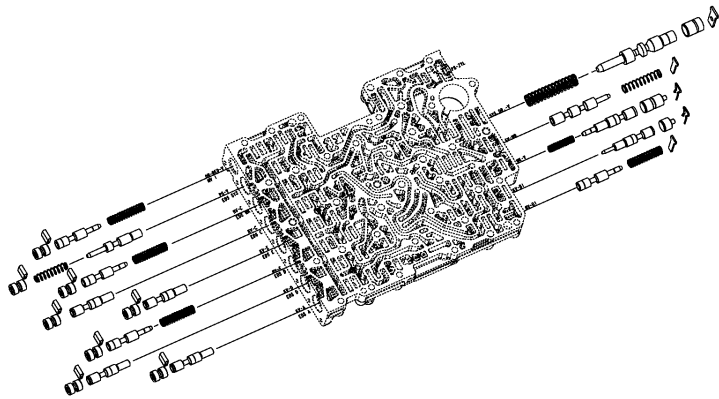
Material number: 1090.024.076

Picture: 1087_298_603

Material-assembly-group-no: 1087.298.603



8HP45X HIS / ()
REPAIR KIT MECHATRONIC



E26/1

Picture

Page 1 from 1

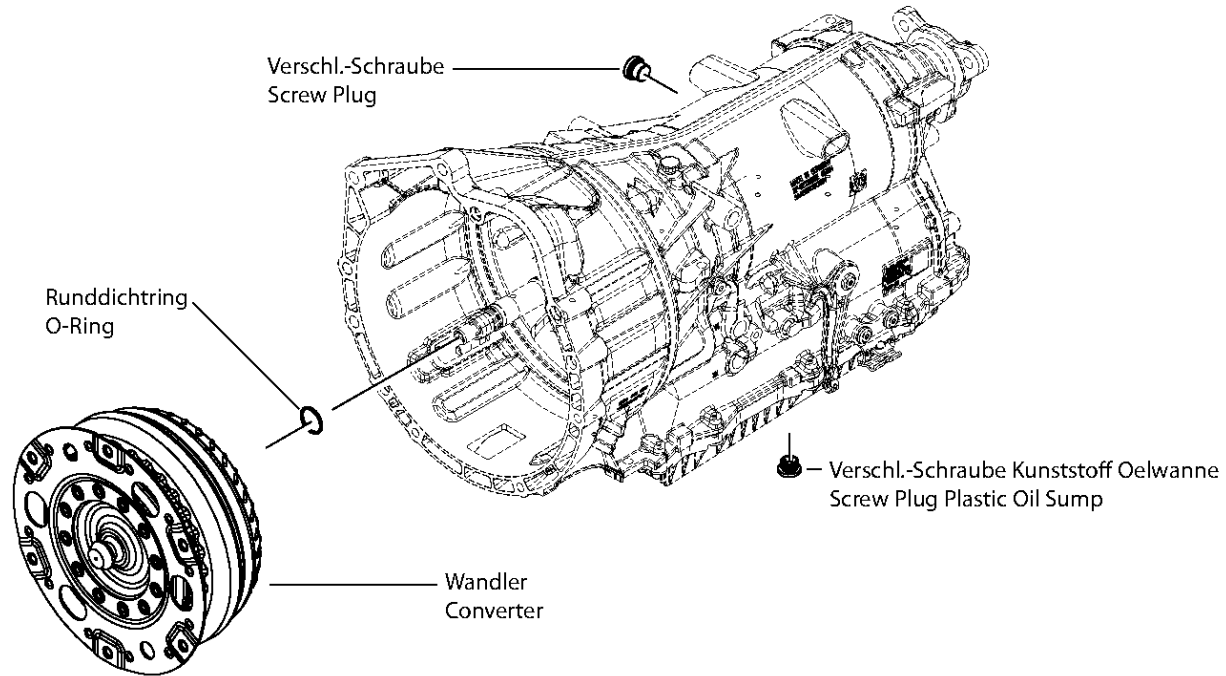
Material number: 1090.024.076

Picture: 176.22.01-1

Material-assembly-group-no: 1090.298.101



8HP45X HIS / ()
CONVERTER



8 HP xx
BMW

Picture

Page 1 from 1

Material number: 1090.024.076

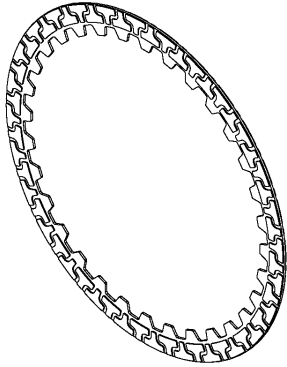
Picture: 1090_298_121_BT

Material-assembly-group-no: 1090.298.121



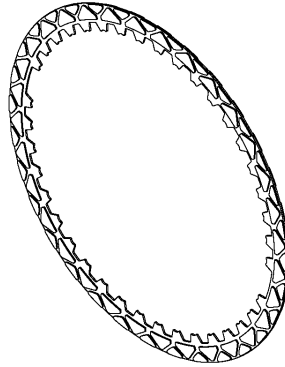
8HP45X HIS / ()
LINED CLUTCH DISK

Kupplung A



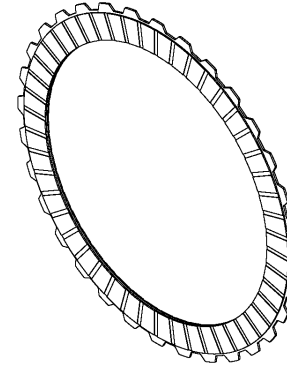
5x

Kupplung B



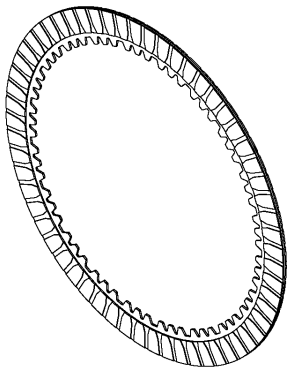
5x

Kupplung C



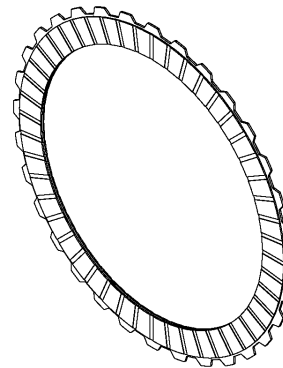
6x

Kupplung D



5x

Kupplung E



6x

8HP45 / 8HP45X +HIS

Picture

Page 1 from 1

Material number: 1090.024.076

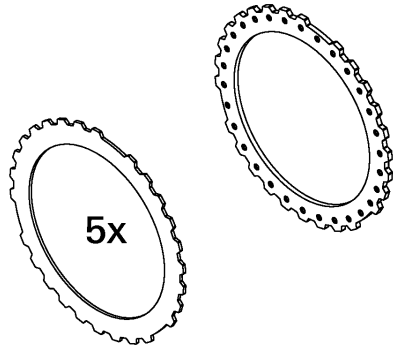
Picture: 1090_298_122_BT

Material-assembly-group-no: 1090.298.122

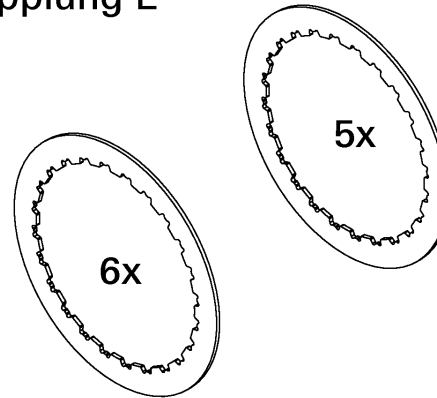


8HP45X HIS / ()
OUTER CLUTCH DISK

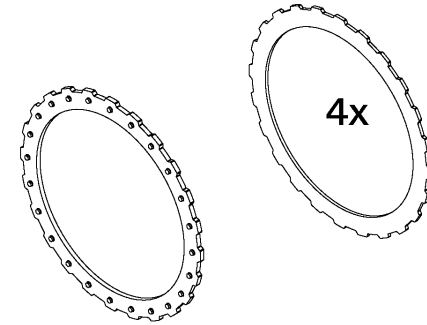
Kupplung A



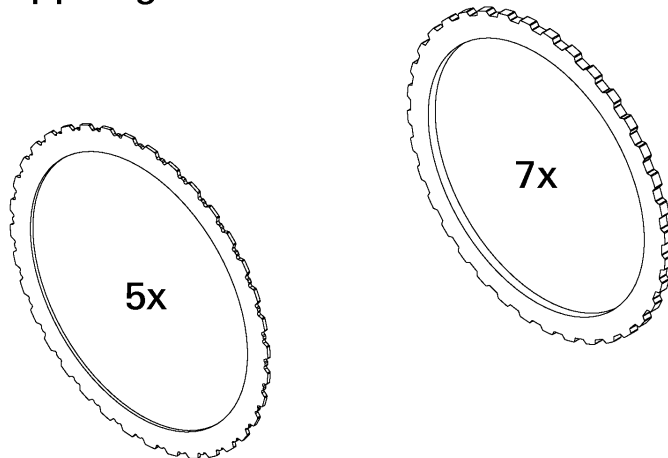
Kupplung E



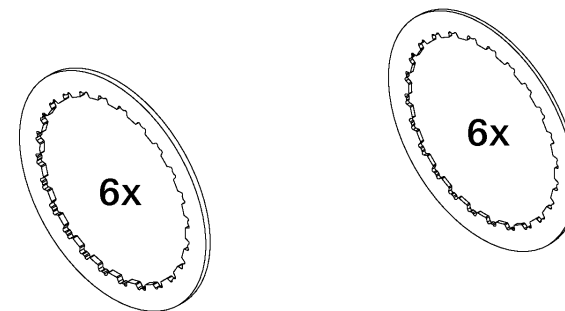
Kupplung D



Kupplung B



Kupplung C



8HP45 /X +HIS

Picture

Page 1 from 1

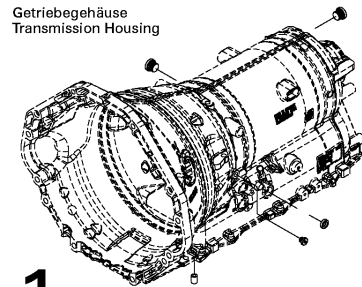
Material number: 1090.024.076

Picture: 1090_298_136_BT

Material-assembly-group-no: 1090.298.136

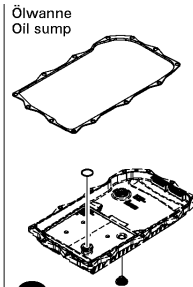


8HP45X HIS / ()
SEAL KIT



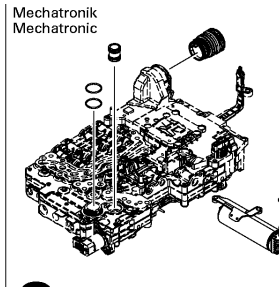
1.

Getriebegehäuse
Transmission Housing



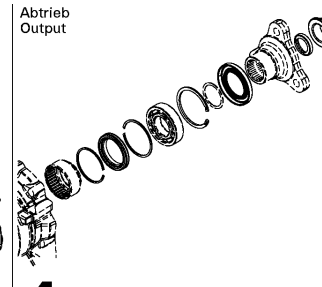
2.

Ölwanne
Oil sump



3.

Mechatronik
Mechatronic



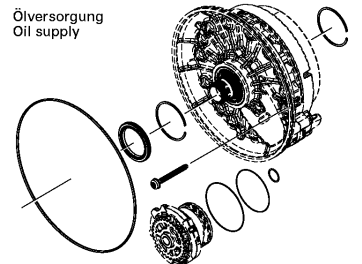
4.

Abtrieb
Output



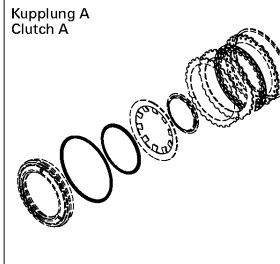
5.

Abtrieb X-Variante
Output X-version



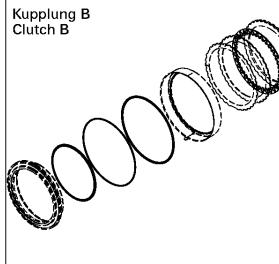
6.

Ölversorgung
Oil supply



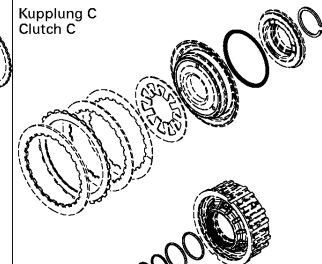
7.

Kupplung A
Clutch A



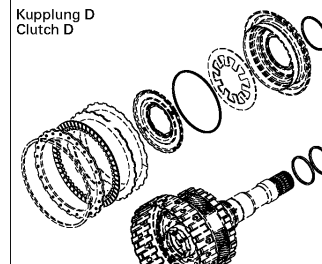
8.

Kupplung B
Clutch B



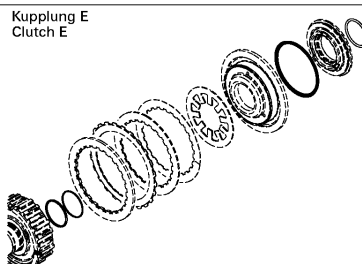
9.

Kupplung C
Clutch C



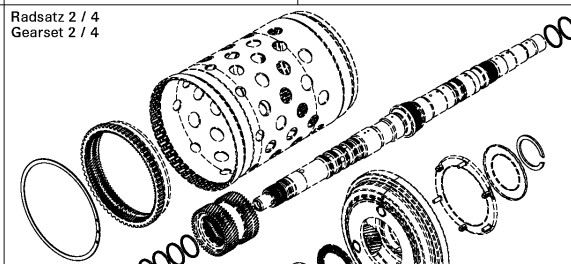
10.

Kupplung D
Clutch D



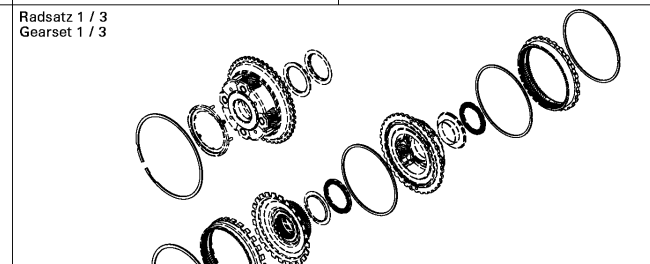
11.

Kupplung E
Clutch E



12.

Radsatz 2 / 4
Gearset 2 / 4



13.

Radsatz 1 / 3
Gearset 1 / 3