



# Spare Parts Catalog

AV 132 II/80

()

Material number: 4472.040.003

Current date: 08.04.2026

ZF Friedrichshafen AG  
Hauptverwaltung  
80038 Friedrichshafen  
Deutschland

Telefon: +49 7541 77-0

Telefax: +49 7541 77-908000

[www.zf.com](http://www.zf.com)

zuständiges Werk:  
Passau

# Picture

Page 1 from 2

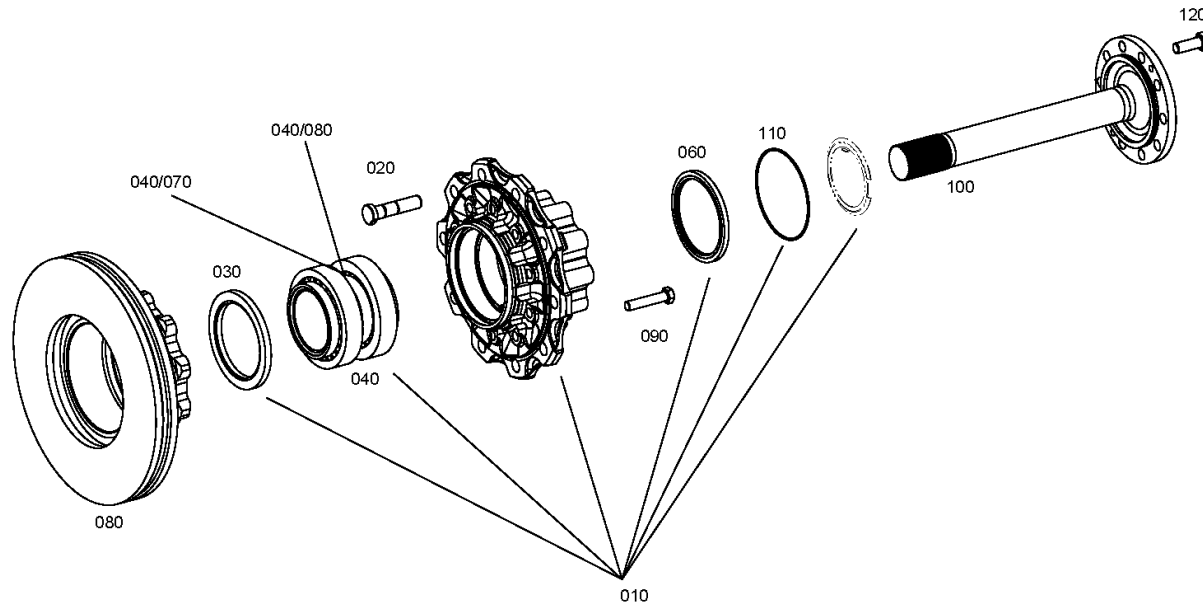
Material number: 4472.040.003

Picture: 447211504200

Material-assembly-group-no: 4472.115.042



AV 132 II/80 / ( )  
WHEEL HEAD



# Picture

Page 2 from 2

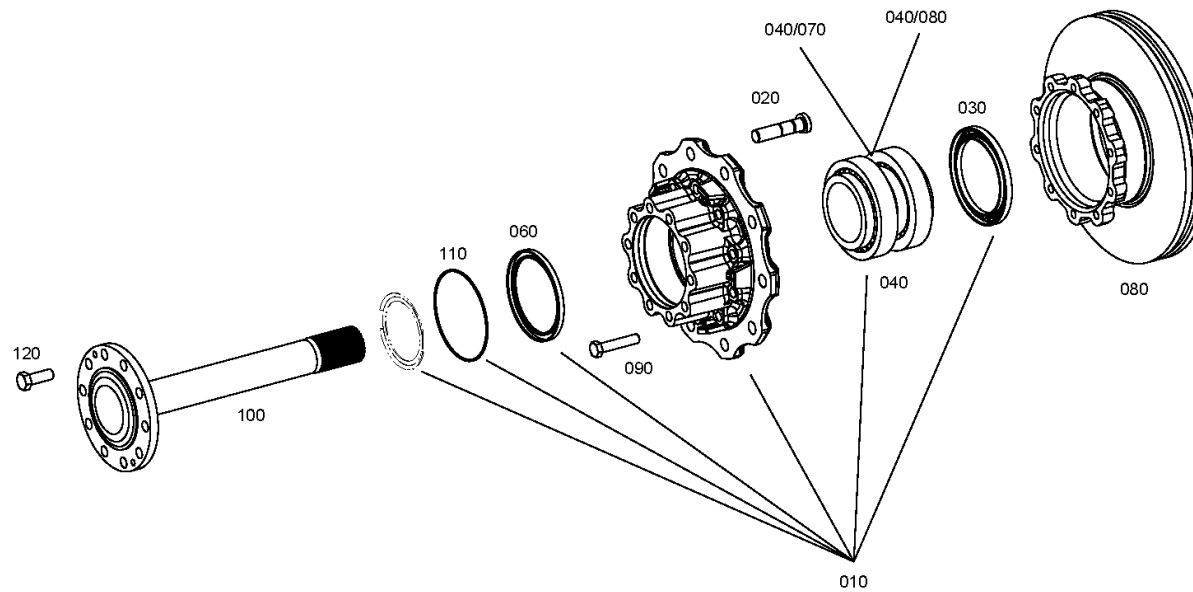
Material number: 4472.040.003

Picture: 447211504250

Material-assembly-group-no: 4472.115.042



AV 132 II/80 / ( )  
WHEEL HEAD



# Picture

Page 1 from 2

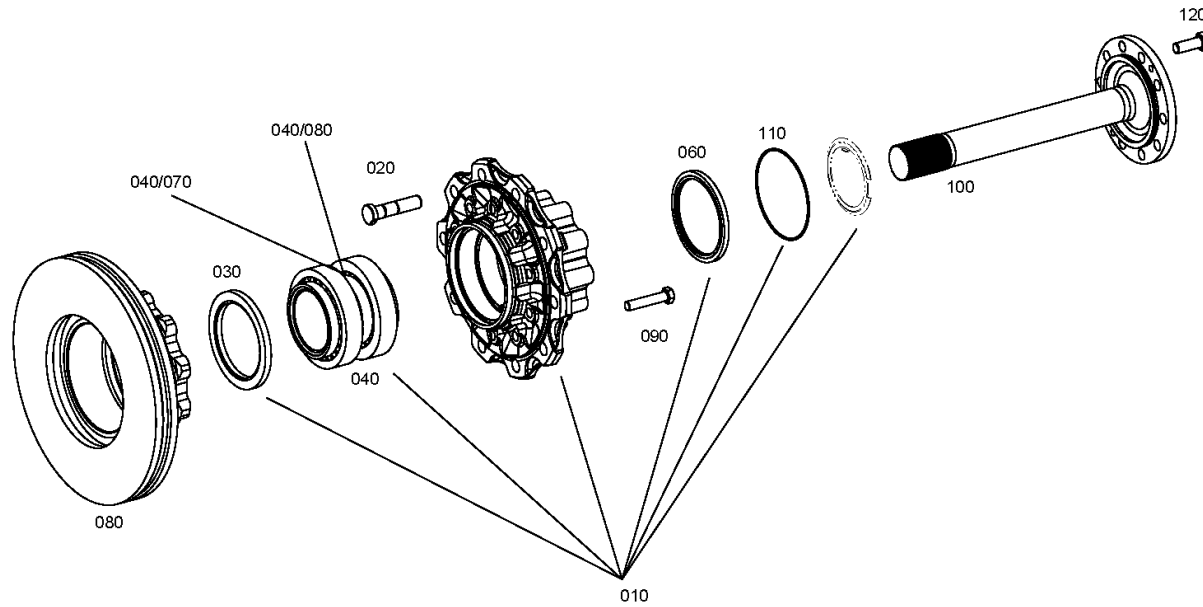
Material number: 4472.040.003

Picture: 447211504200

Material-assembly-group-no: 4472.115.042



AV 132 II/80 / ( )  
WHEEL HEAD



# Picture

Page 2 from 2

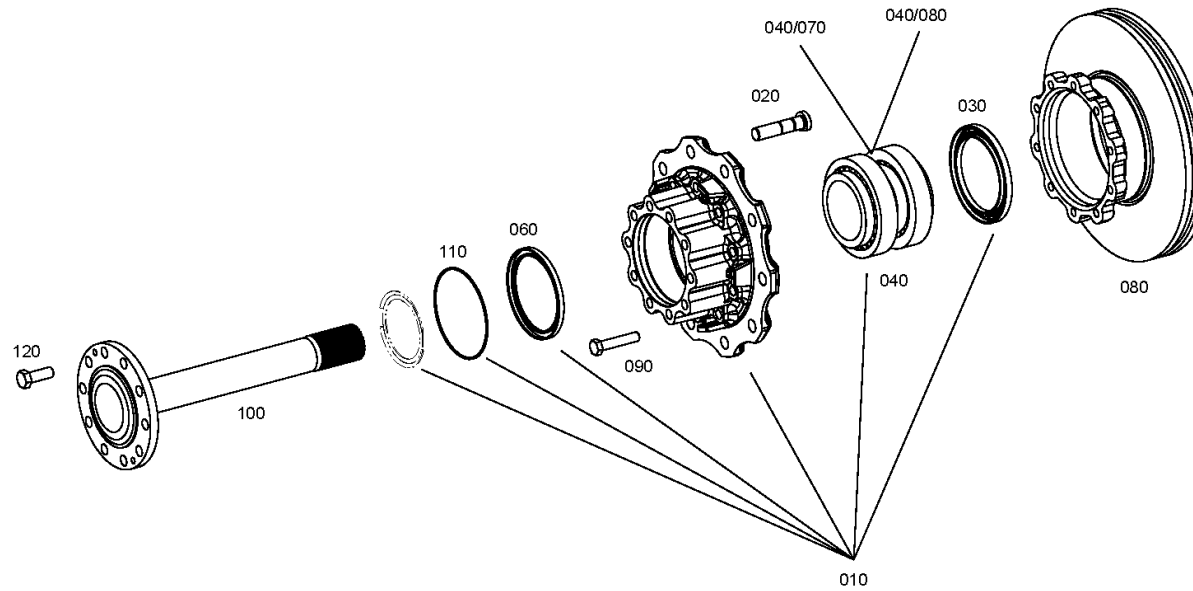
Material number: 4472.040.003

Picture: 447211504250

Material-assembly-group-no: 4472.115.042



AV 132 II/80 / ( )  
WHEEL HEAD







# Picture

Page 3 from 3

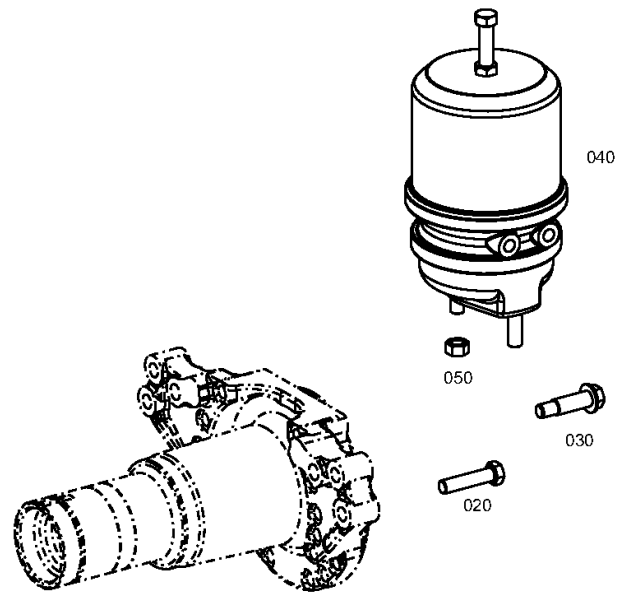
Material number: 4472.040.003

Picture: 447211401603

Material-assembly-group-no: 4472.114.016



AV 132 II/80 / ( )  
BRAKE/LEFT





# Picture

Page 2 from 3

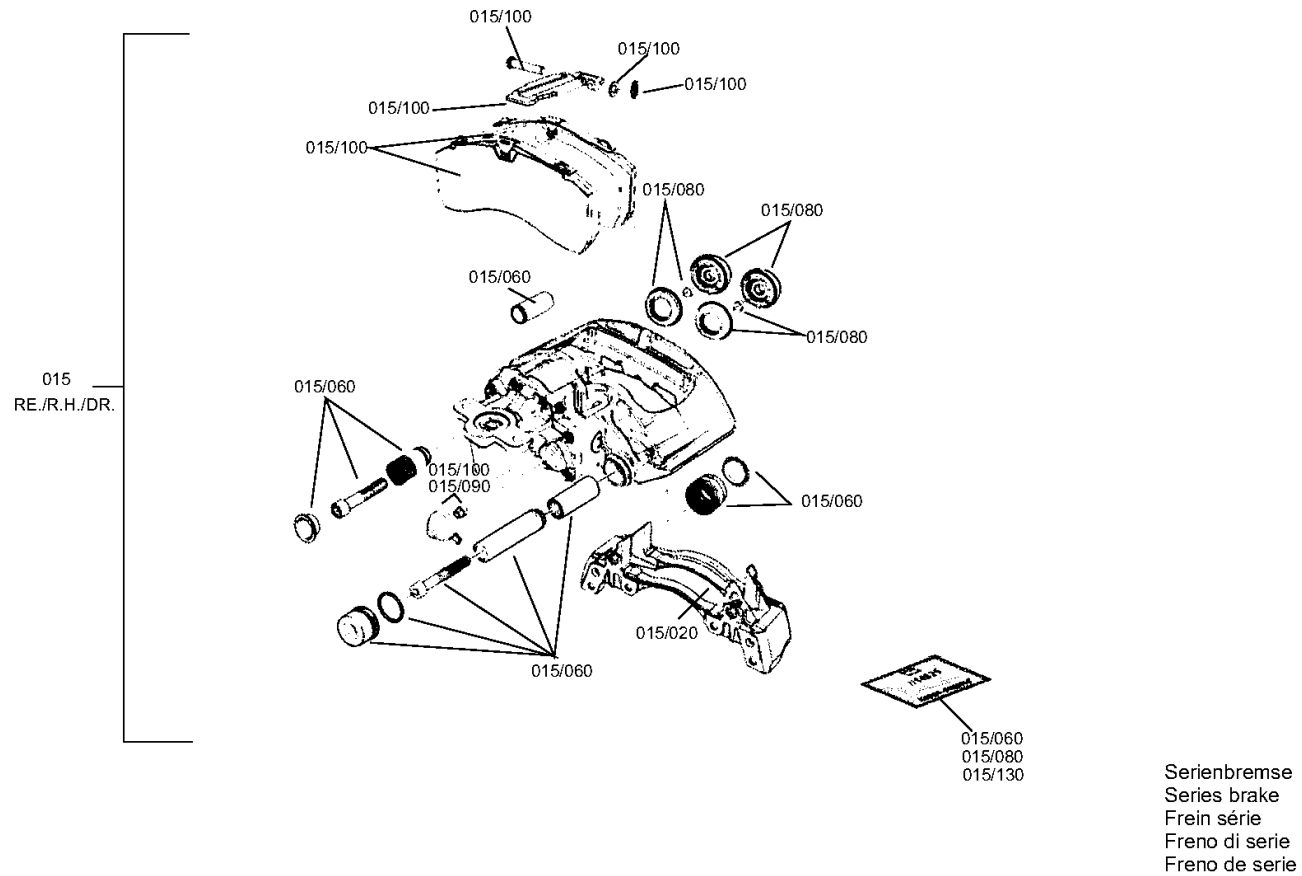
Material number: 4472.040.003

Picture: 447211401702

Material-assembly-group-no: 4472.114.017



AV 132 II/80 / ( )  
BRAKE/RIGHT



# Picture

Page 3 from 3

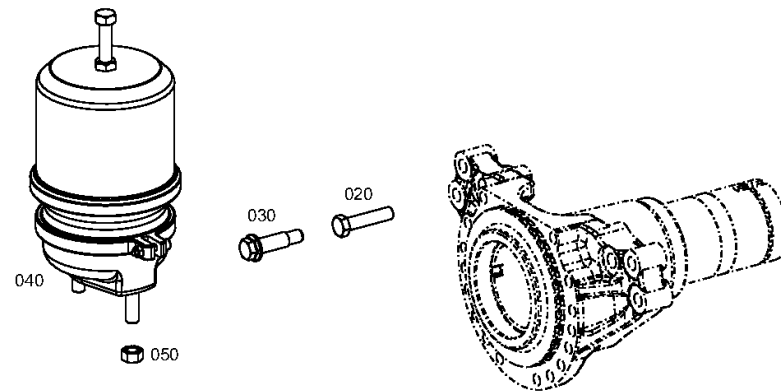
Material number: 4472.040.003

Picture: 447211401703

Material-assembly-group-no: 4472.114.017



AV 132 II/80 / ( )  
BRAKE/RIGHT



# Picture

Page 1 from 1

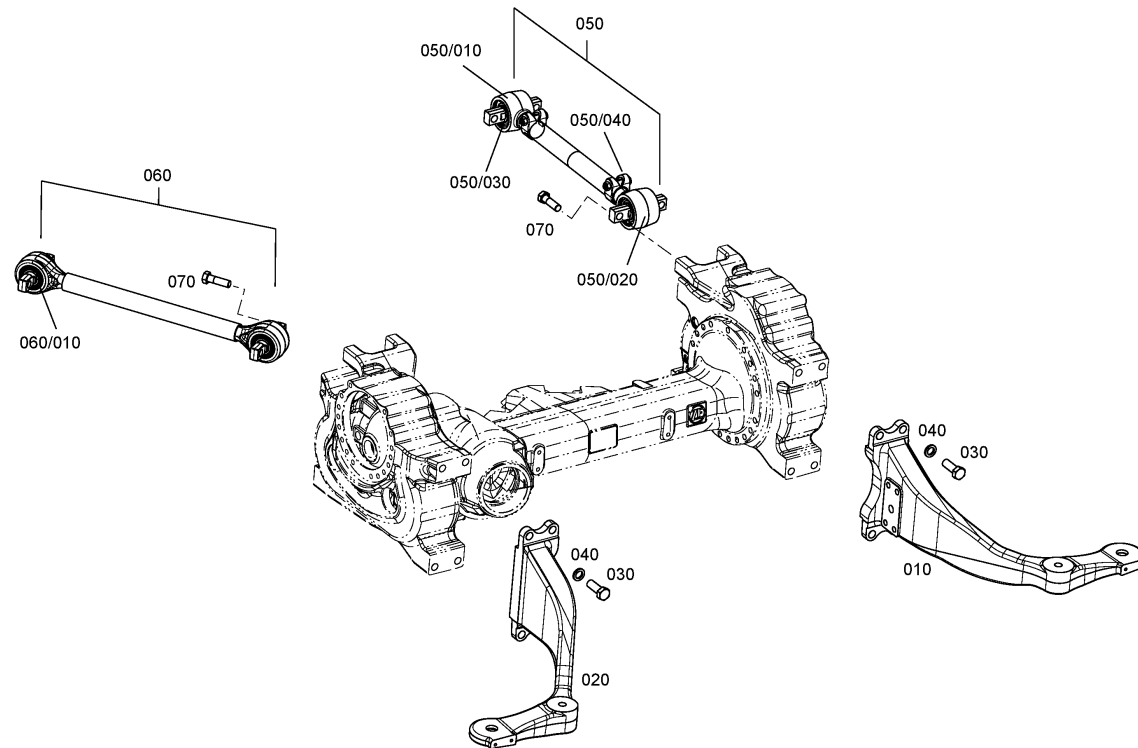
Material number: 4472.040.003

Picture: 447214008300

Material-assembly-group-no: 4472.140.083



AV 132 II/80 / ()  
SUSPENSION



# Picture

Page 1 from 1

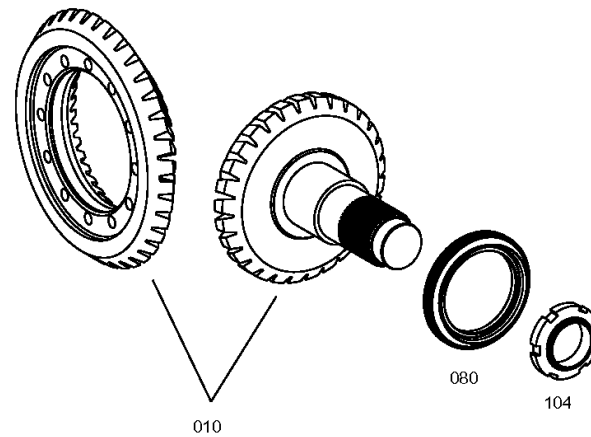
Material number: 4472.031.417

Picture: 447211011100

Material-assembly-group-no: 4472.110.111



AV 132 II/80 / ( )  
INPUT



# Picture

Page 1 from 1

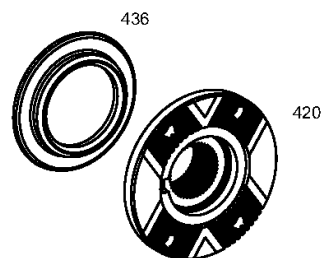
Material number: 4472.031.417

Picture: 446010543100

Material-assembly-group-no: 4460.105.431



AV 132 II/80 / ( )  
INPUT FLANGE



# Picture

Page 1 from 1

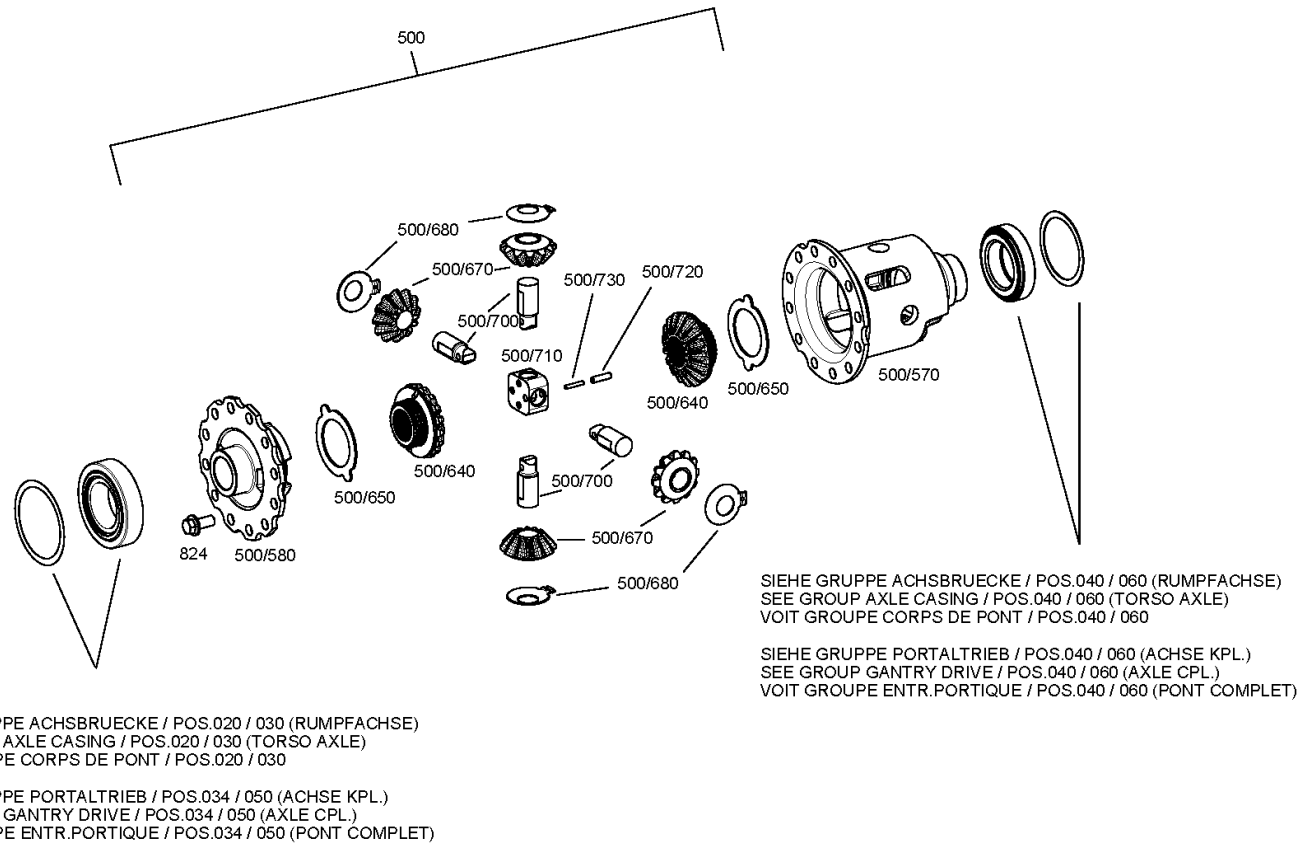
Material number: 4472.031.417

Picture: 446110306800

Material-assembly-group-no: 4461.103.068



AV 132 II/80 / ( )  
DIFFERENTIAL



# Picture

Page 1 from 1

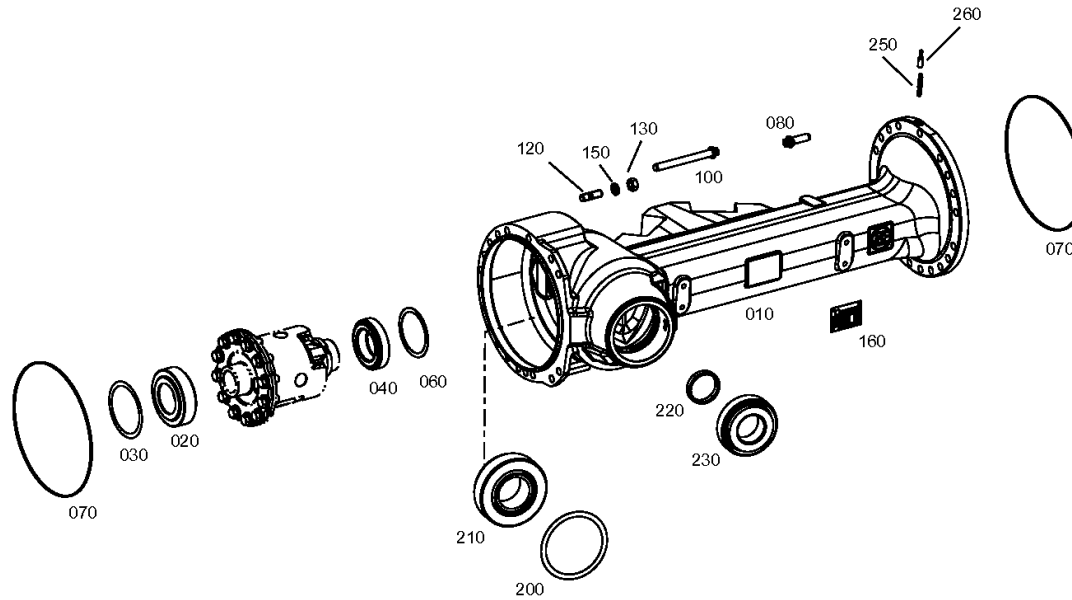
Material number: 4472.031.417

Picture: 447211124800

Material-assembly-group-no: 4472.111.248



AV 132 II/80 / ( )  
AXLE CASING



# Picture

Page 1 from 1

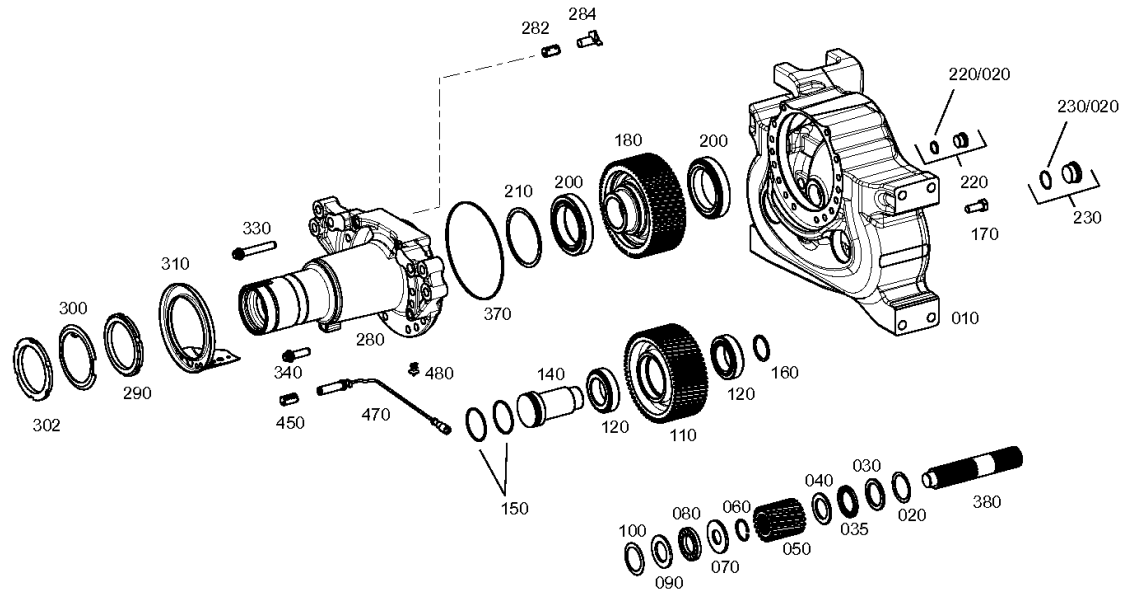
Material number: 4472.031.417

Picture: 447211237800

Material-assembly-group-no: 4472.112.378



AV 132 II/80 / ( )  
GANTRY DRIVE LEFT



# Picture

Page 1 from 1

Material number: 4472.031.417

Picture: 447211239100

Material-assembly-group-no: 4472.112.391



AV 132 II/80 / ( )  
GANTRY DRIVE RIGHT

