



Spare Parts Catalog

2 HL 290

()

Material number: 4143.020.054

Current date: 08.04.2026

ZF Friedrichshafen AG
Hauptverwaltung
80038 Friedrichshafen
Deutschland

Telefon: +49 7541 77-0

Telefax: +49 7541 77-908000

www.zf.com

zuständiges Werk:
Passau

Picture

Page 1 from 1

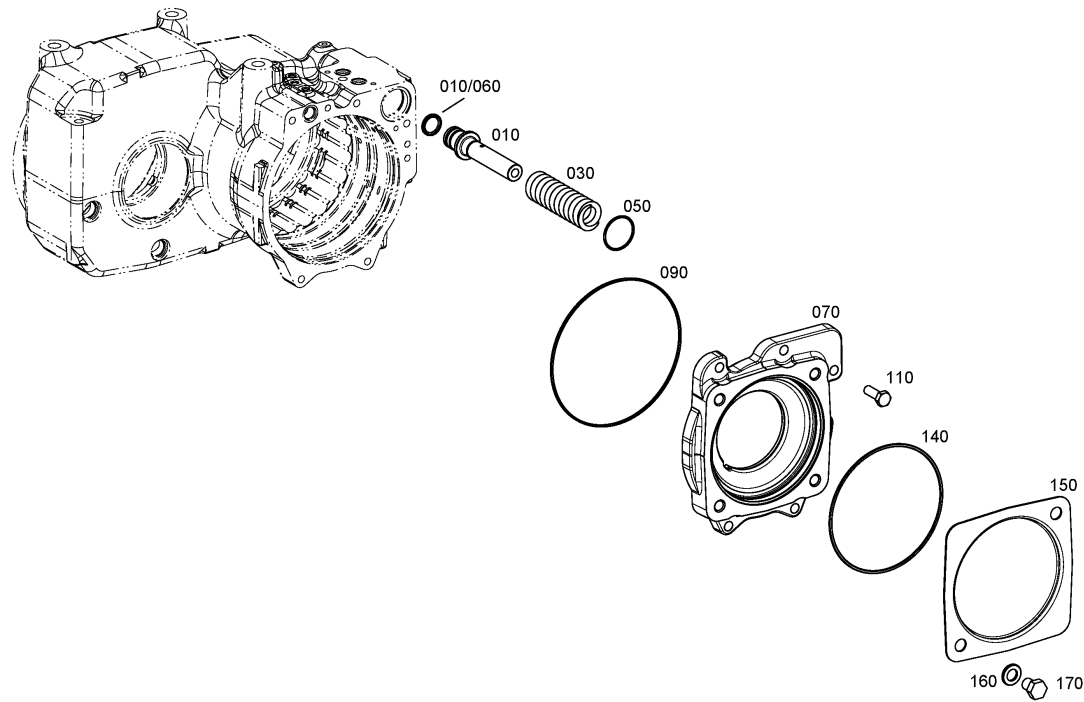
Material number: 4143.020.054

Picture: 414312504420

Material-assembly-group-no: 4143.125.044



2 HL 290 / ()
INPUT HOUSING



Picture

Page 1 from 1

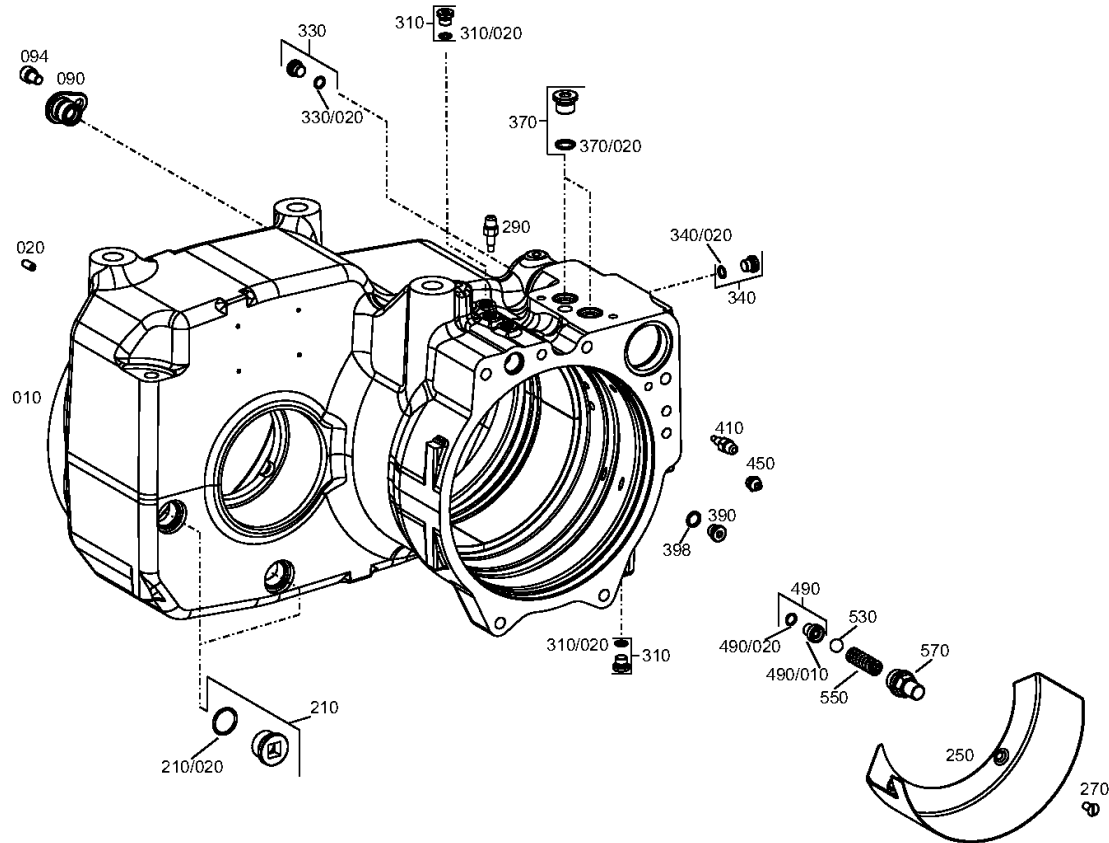
Material number: 4143.020.054

Picture: 414310103220

Material-assembly-group-no: 4143.101.032



2 HL 290 / ()
HOUSING



Picture

Page 1 from 1

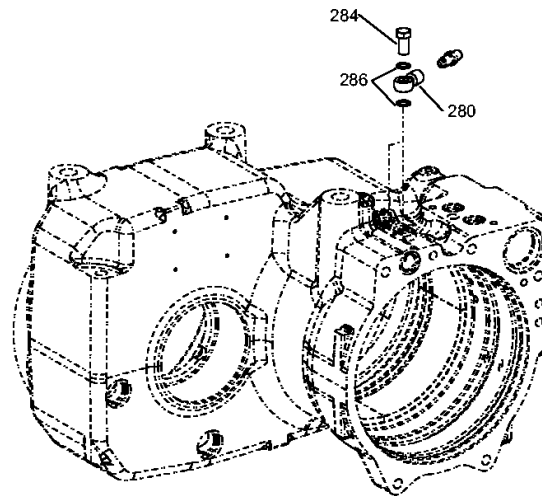
Material number: 4143.020.054

Picture: 414310142700

Material-assembly-group-no: 4143.101.427



2 HL 290 / ()
HOUSING



Picture

Page 1 from 1

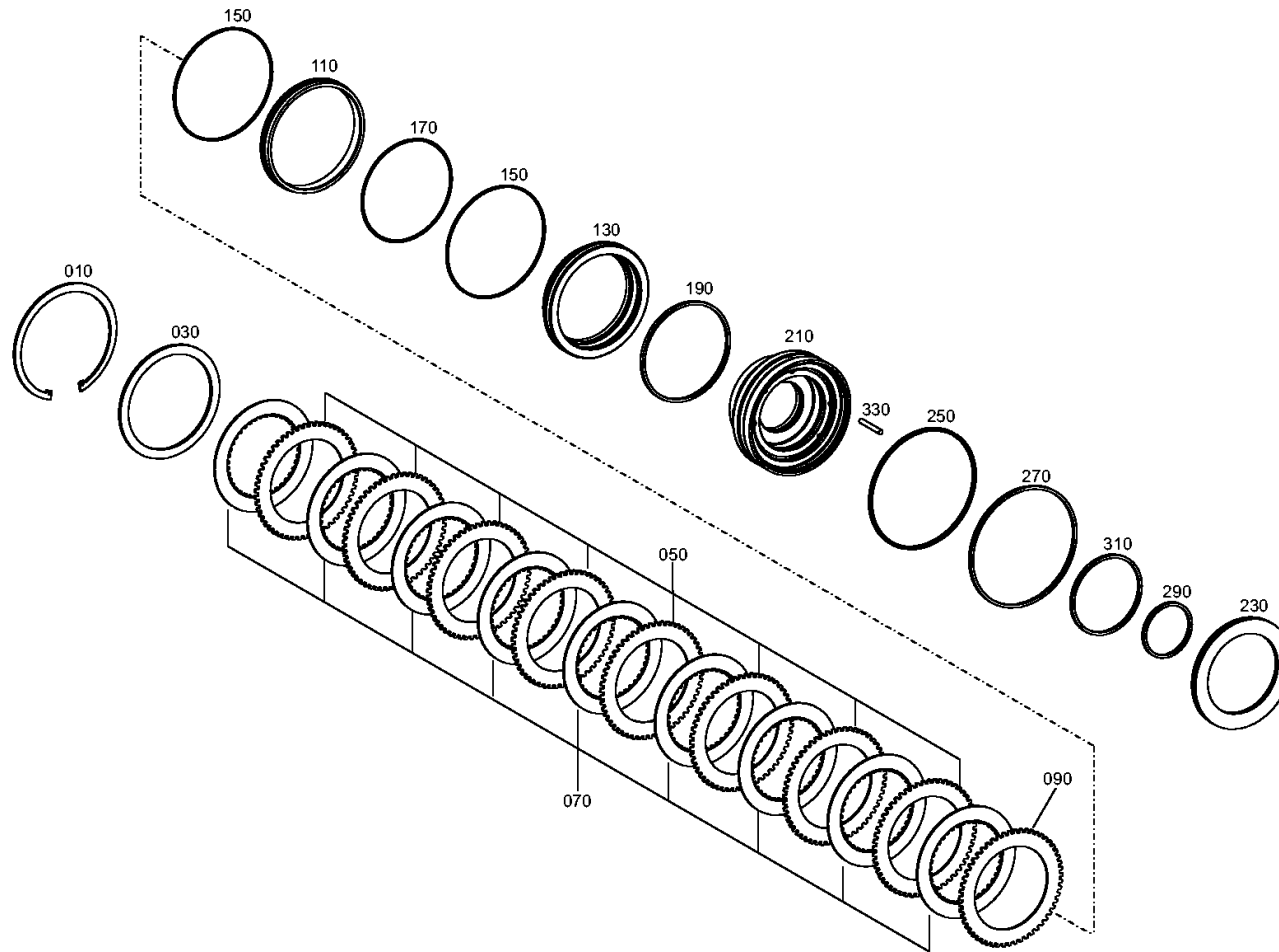
Material number: 4143.020.054

Picture: 414315101500

Material-assembly-group-no: 4143.151.015



2 HL 290 / ()
MULTIDISK BRAKE



Picture

Page 1 from 1

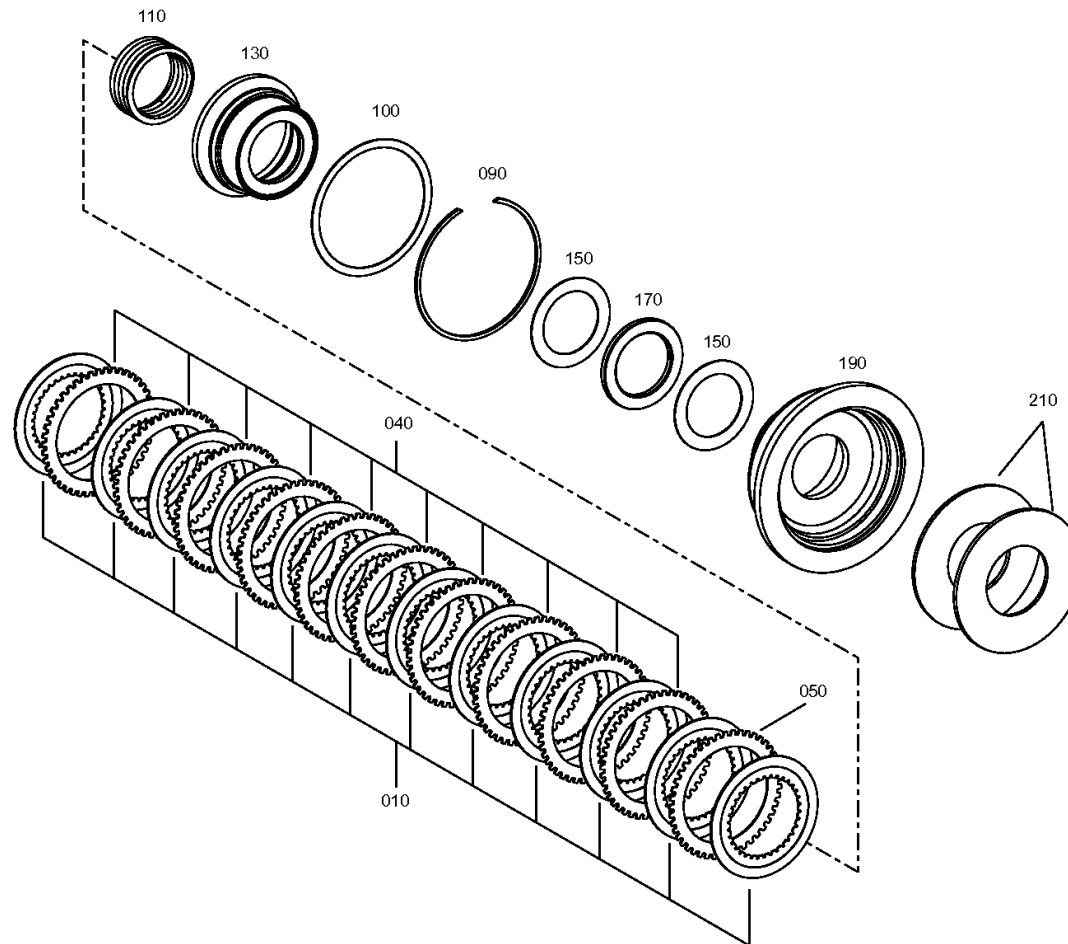
Material number: 4143.020.054

Picture: 414315201300

Material-assembly-group-no: 4143.152.013



2 HL 290 / ()
COUPLING



Picture

Page 1 from 1

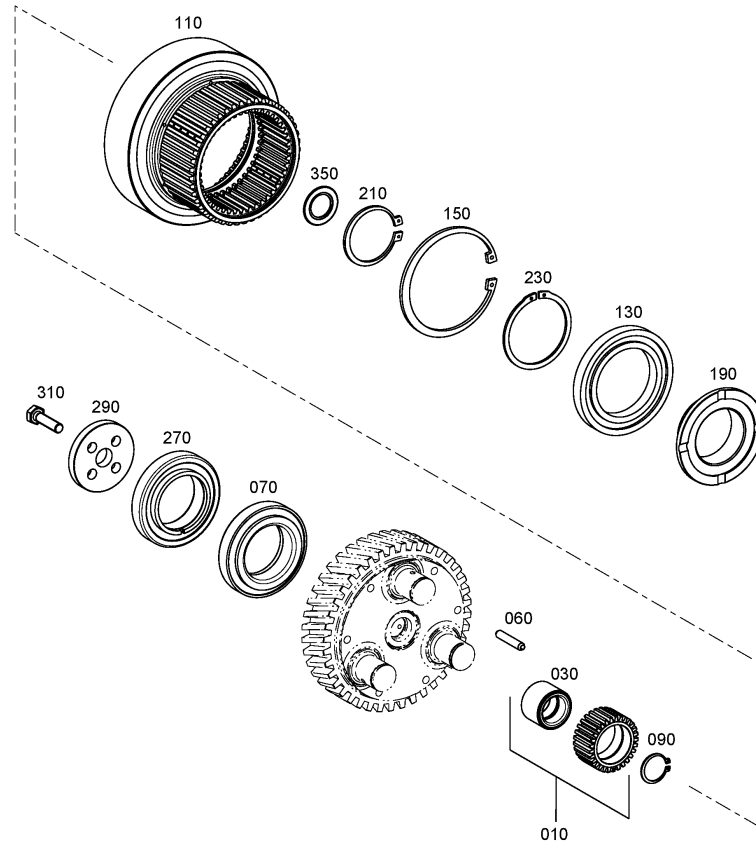
Material number: 4143.020.054

Picture: 414311501700

Material-assembly-group-no: 4143.115.017



2 HL 290 / ()
PLANETARY DRIVE



Picture

Page 1 from 1

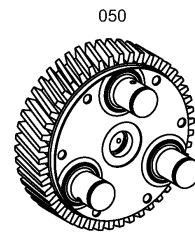
Material number: 4143.020.054

Picture: 414311540500

Material-assembly-group-no: 4143.115.405



2 HL 290 / ()
PLANETARY DRIVE



Picture

Page 1 from 1

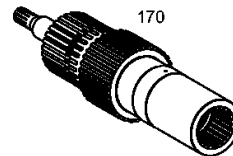
Material number: 4143.020.054

Picture: 414311540600

Material-assembly-group-no: 4143.115.406



2 HL 290 / ()
PLANETARY DRIVE



Picture

Page 1 from 1

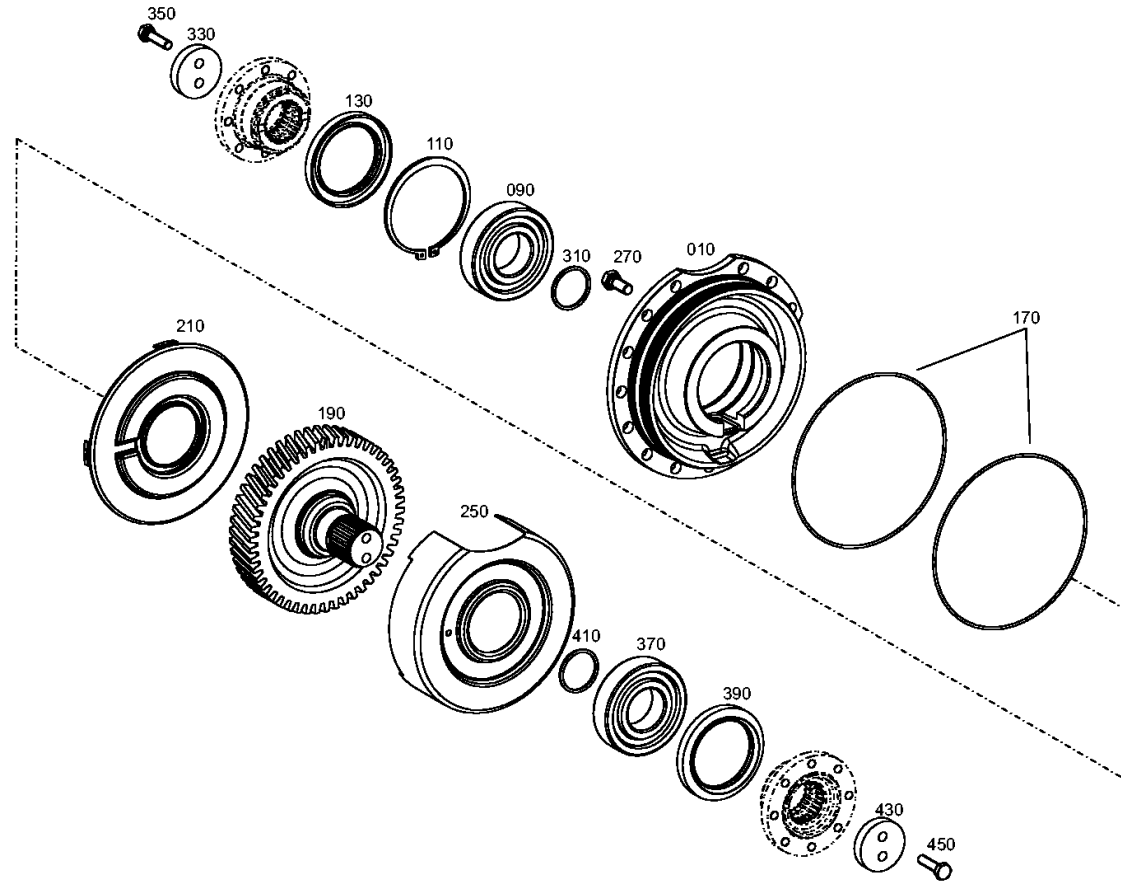
Material number: 4143.020.054

Picture: 414310303720

Material-assembly-group-no: 4143.103.037



2 HL 290 / ()
OUTPUT



Picture

Page 1 from 1

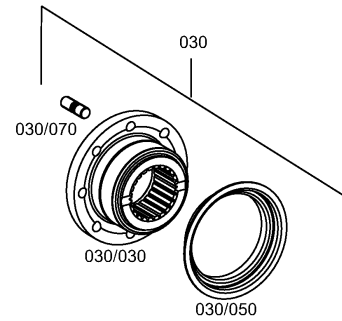
Material number: 4143.020.054

Picture: 414310342050

Material-assembly-group-no: 4143.103.420



2 HL 290 / ()
OUTPUT



Picture

Page 1 from 1

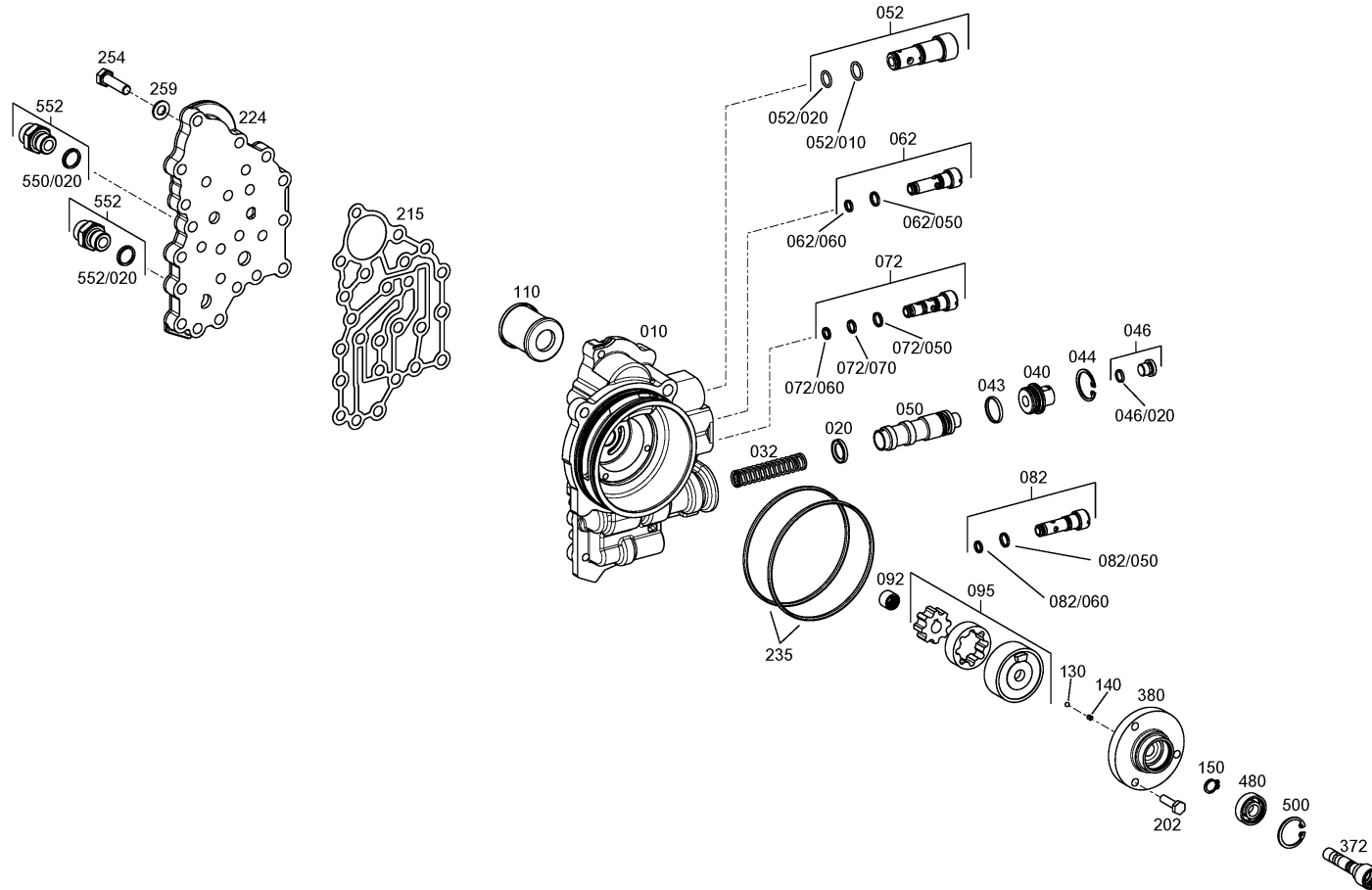
Material number: 4143.020.054

Picture: 414314202520

Material-assembly-group-no: 4143.142.025



2 HL 290 / ()
GEAR SHIFT SENSOR



Picture

Page 1 from 1

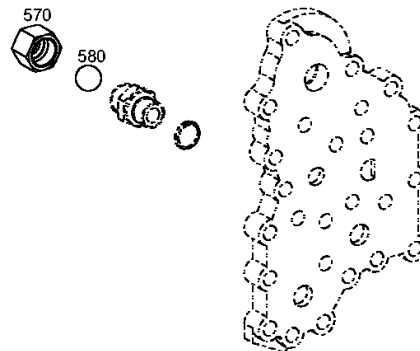
Material number: 4143.020.054

Picture: 414314240620

Material-assembly-group-no: 4143.142.406



2 HL 290 / ()
GEAR SHIFT SENSOR



Picture

Page 1 from 1

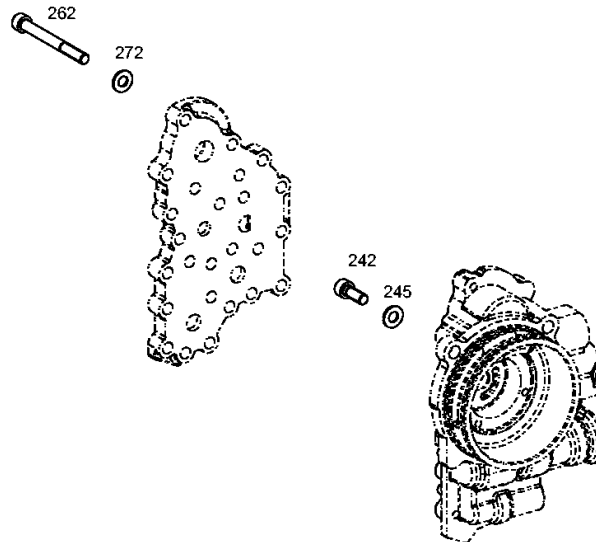
Material number: 4143.020.054

Picture: 414314240720

Material-assembly-group-no: 4143.142.407



2 HL 290 / ()
GEAR SHIFT SENSOR



Picture

Page 1 from 1

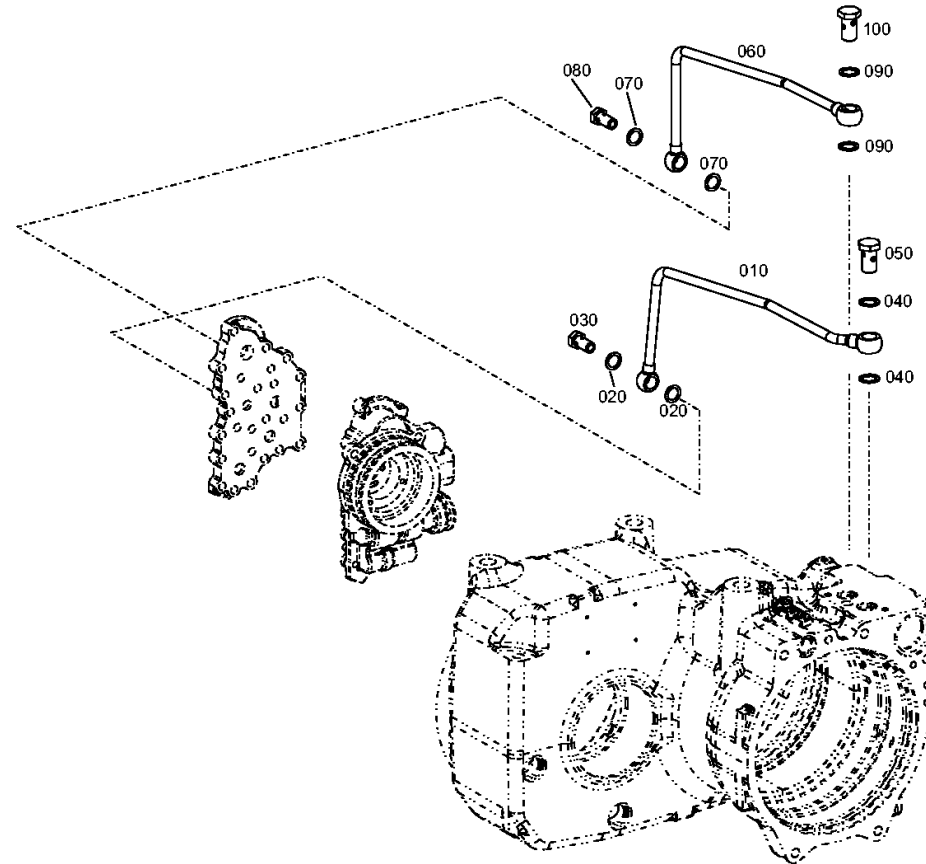
Material number: 4143.020.054

Picture: 414312101120

Material-assembly-group-no: 4143.121.011



2 HL 290 / ()
OIL PIPE



Picture

Page 1 from 1

Material number: 4143.020.054

Picture: 414313900300

Material-assembly-group-no: 4143.139.003



2 HL 290 / ()
TYPE PLATE

