



Spare Parts Catalog

2 AVG 185

()

Material number: 4112.029.002

Current date: 08.04.2026

ZF Friedrichshafen AG
Hauptverwaltung
80038 Friedrichshafen
Deutschland

Telefon: +49 7541 77-0

Telefax: +49 7541 77-908000

www.zf.com

zuständiges Werk:
Passau

Picture

Page 1 from 1

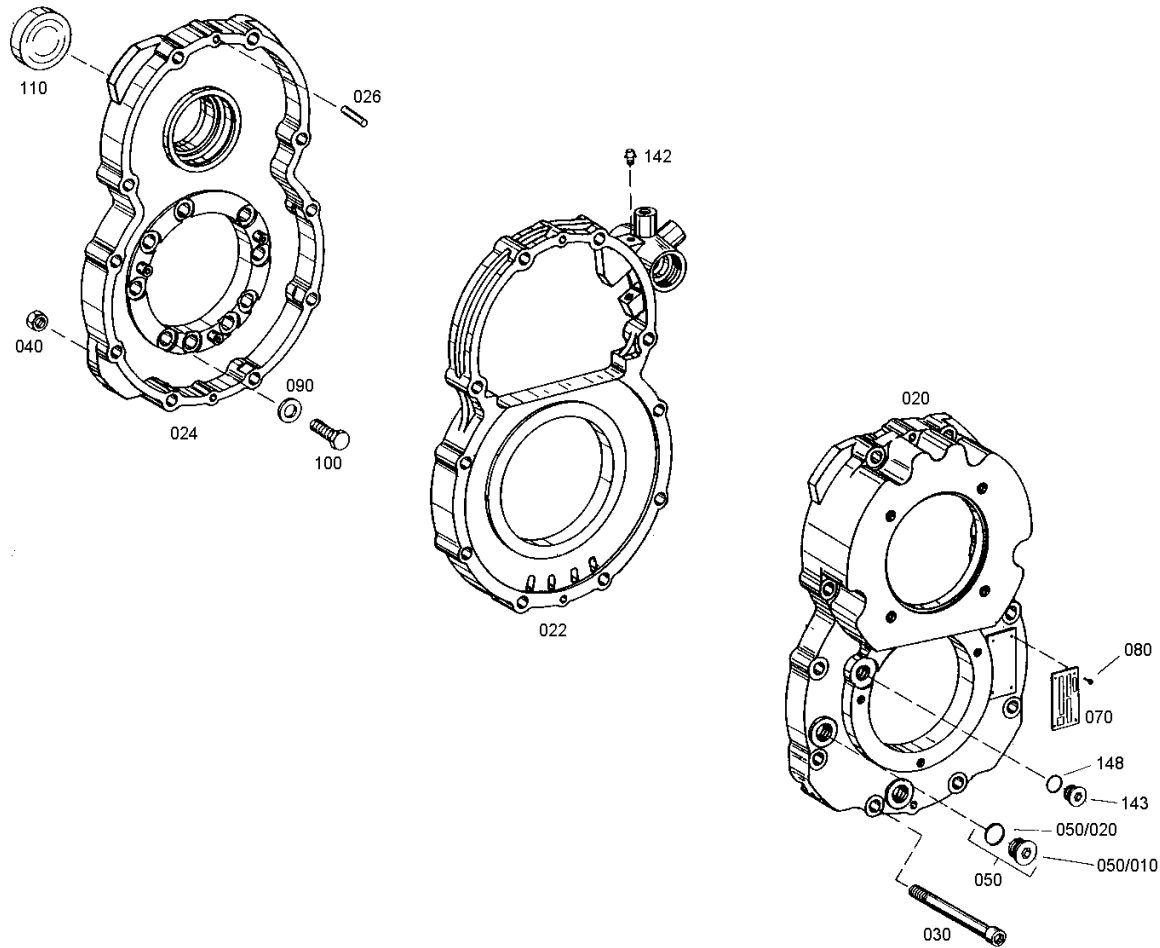
Material number: 4112.029.002

Picture: 411215400100

Material-assembly-group-no: 4112.154.004



2 AVG 185 / ()
HOUSING



Picture

Page 1 from 1

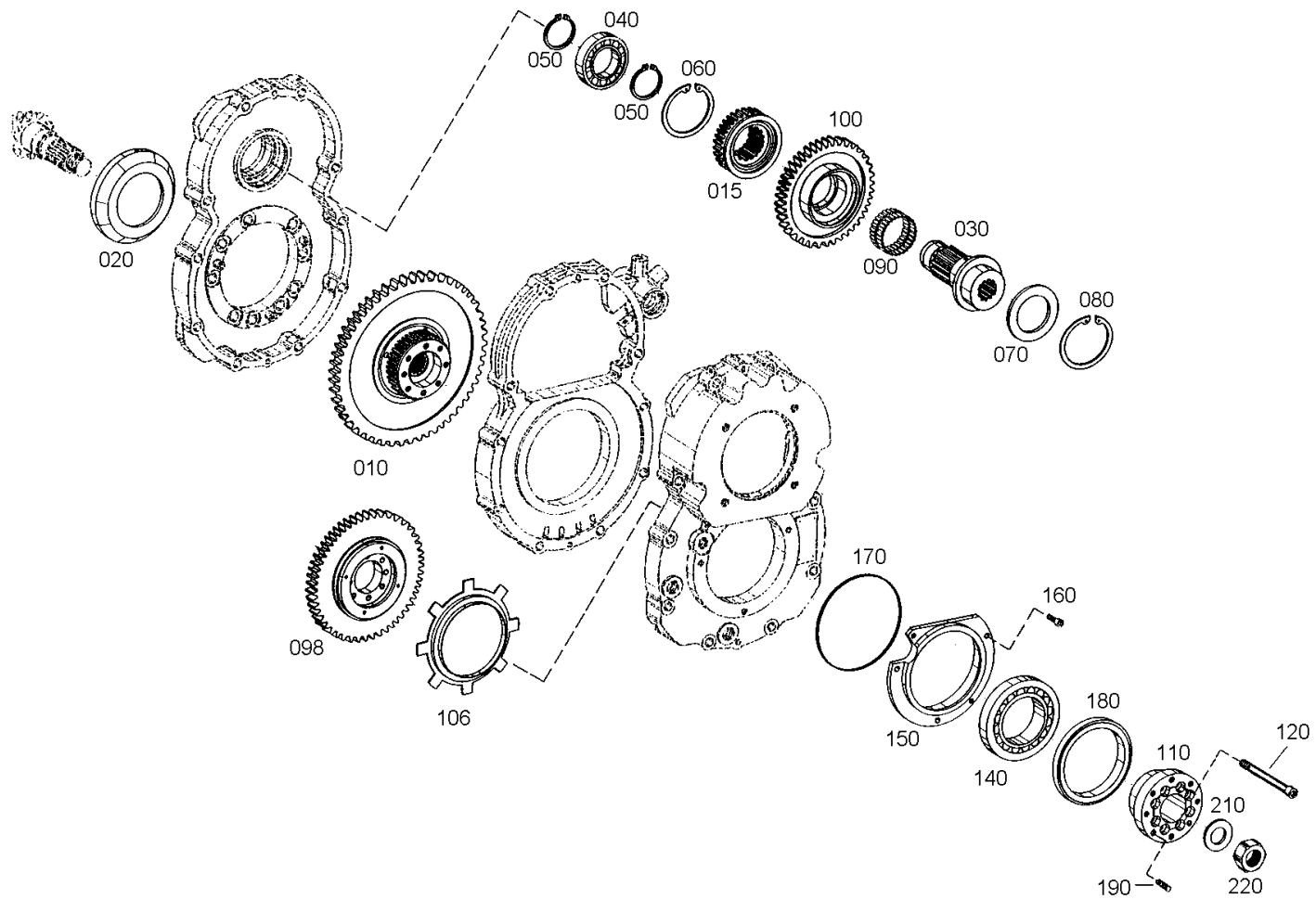
Material number: 4112.029.002

Picture: 411215500100

Material-assembly-group-no: 4112.155.003



2 AVG 185 / ()
INPUT



Picture

Page 1 from 1

Material number: 4112.029.002

Picture: 411215600100

Material-assembly-group-no: 4112.156.007



2 AVG 185 / ()
SHIFT SYSTEM

