



Spare Parts Catalog

ECCOM 1.8

()

Material number: 2092.033.009

Current date: 08.04.2026

ZF Friedrichshafen AG
Hauptverwaltung
80038 Friedrichshafen
Deutschland

Telefon: +49 7541 77-0

Telefax: +49 7541 77-908000

www.zf.com

zuständiges Werk:
Passau

Picture

Page 1 from 2

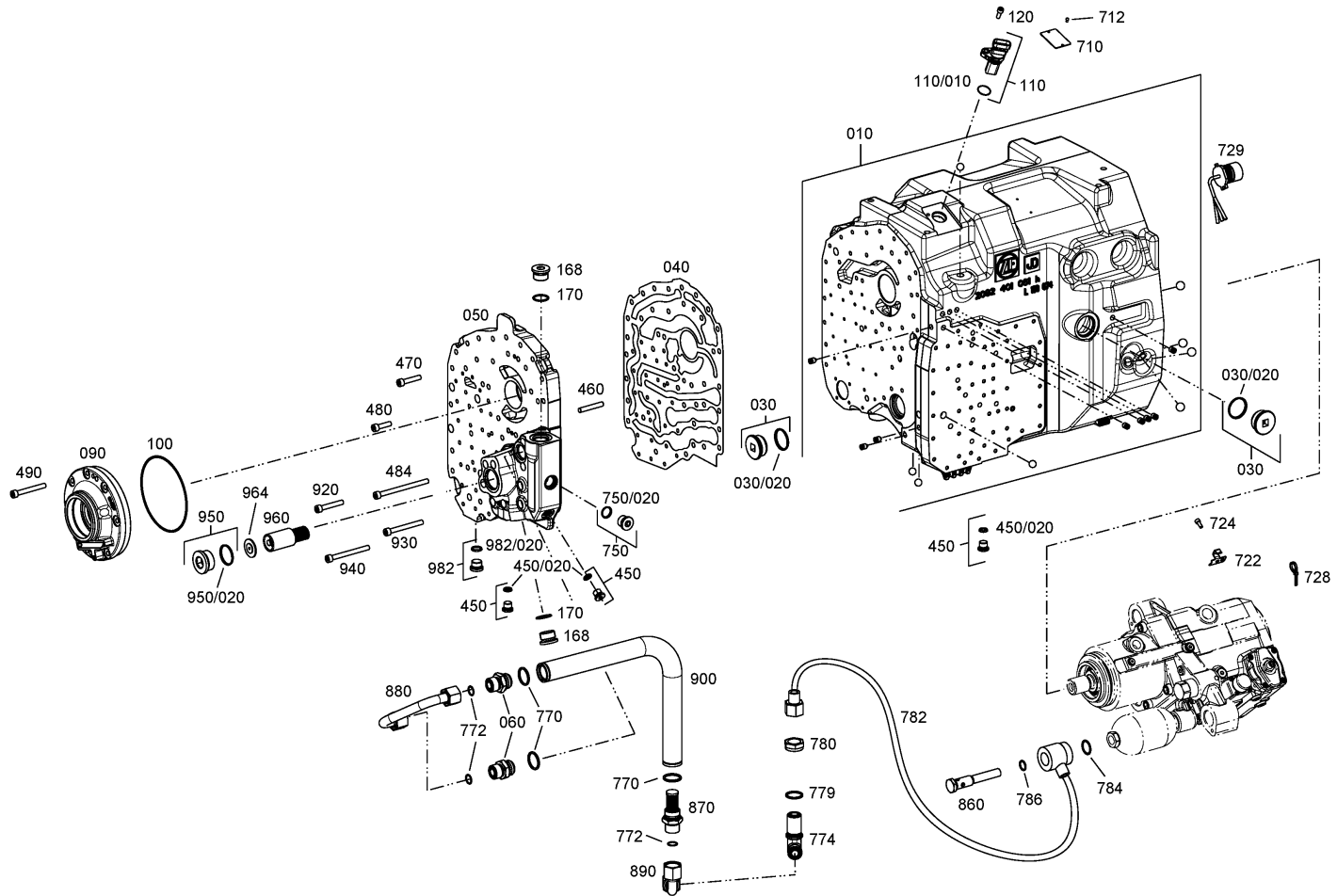
Material number: 2092.033.009

Picture: 209210107201

Material-assembly-group-no: 2092.101.072



ECCOM 1.8 / ()
HOUSING



Picture

Page 2 from 2

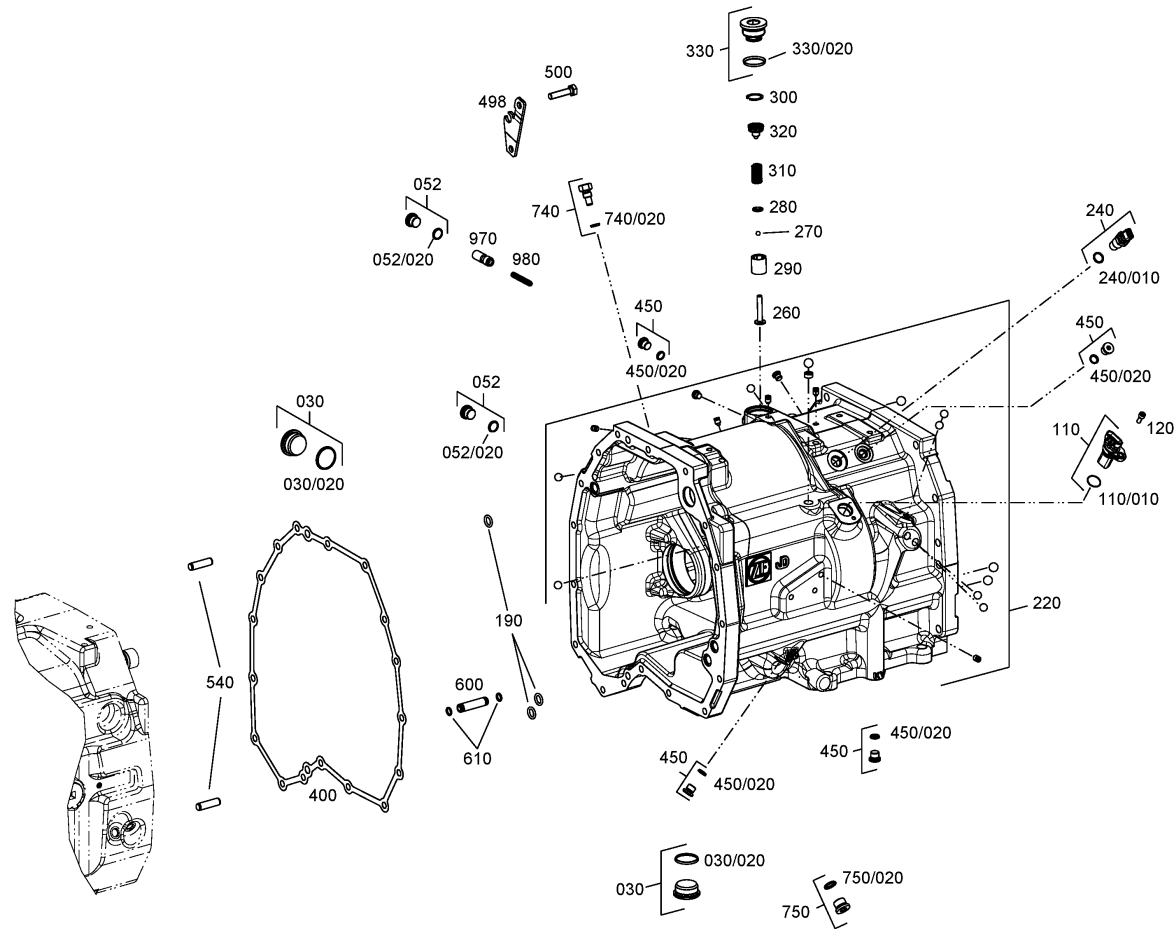
Material number: 2092.033.009

Picture: 209210107202

Material-assembly-group-no: 2092.101.072



ECCOM 1.8 / ()
HOUSING



Picture

Page 1 from 1

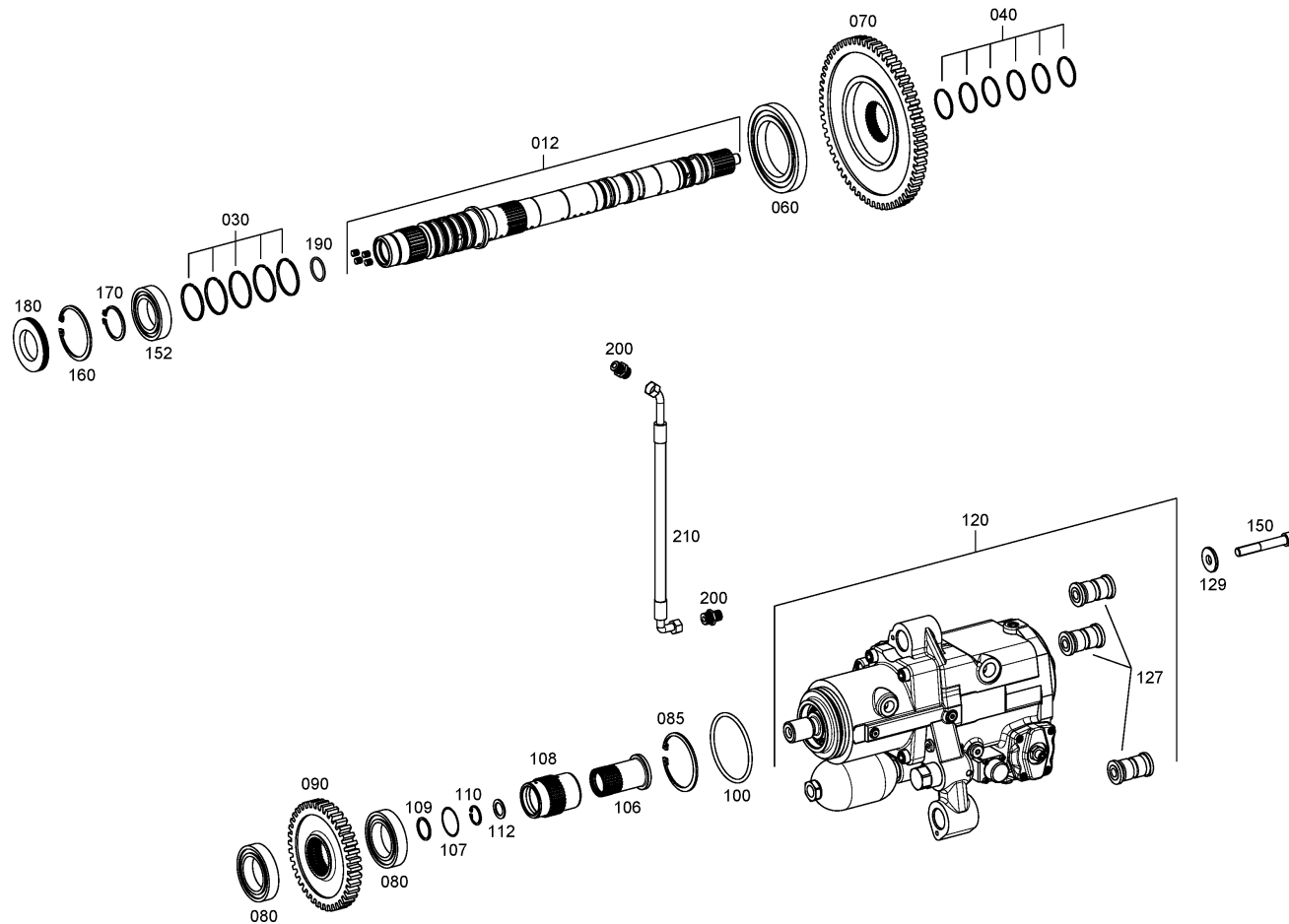
Material number: 2092.033.009

Picture: 209210202500

Material-assembly-group-no: 2092.102.025



ECCOM 1.8 / ()
INPUT



Picture

Page 1 from 1

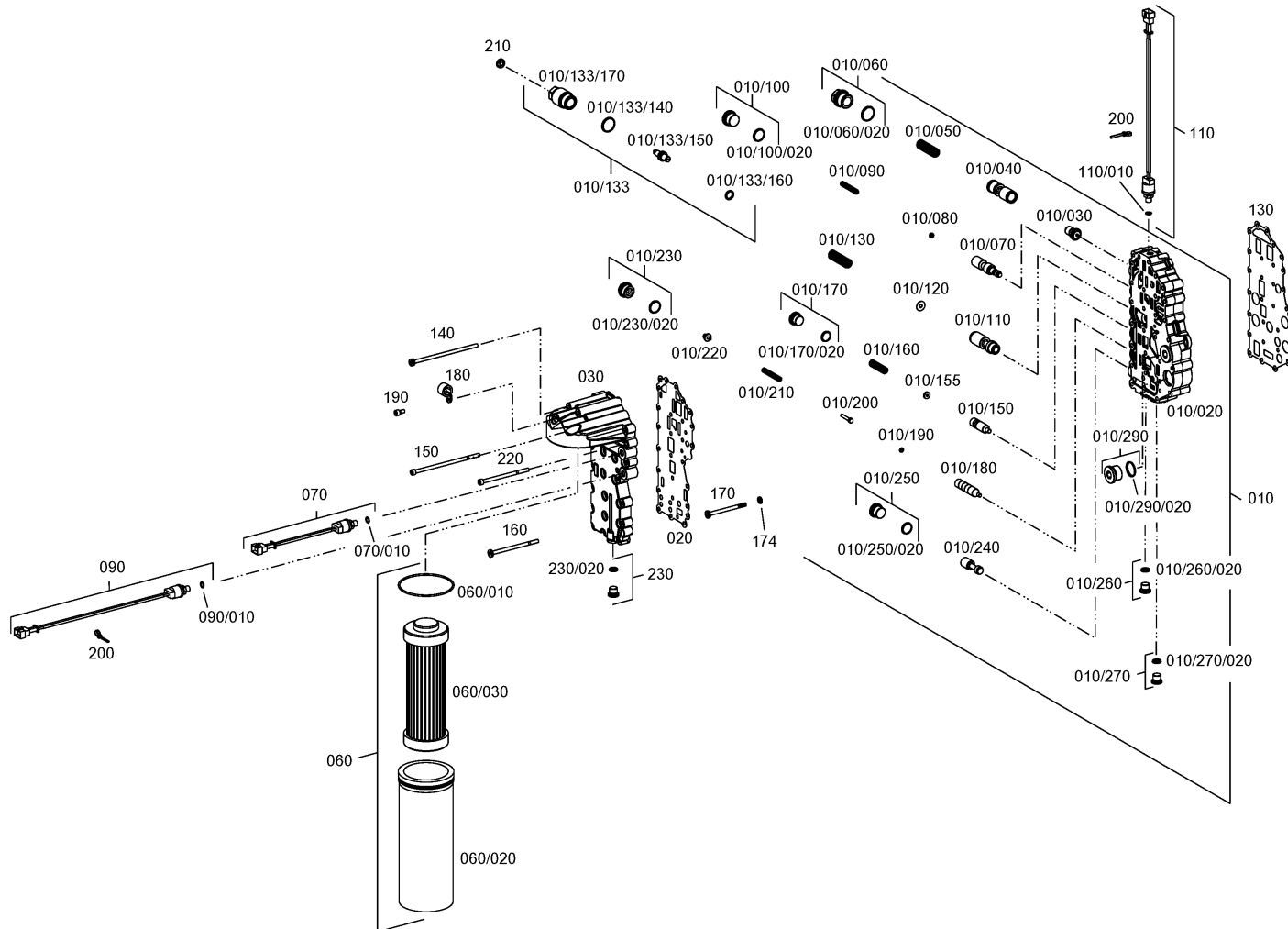
Material number: 2092.033.009

Picture: 209210703200

Material-assembly-group-no: 2092.107.032



ECCOM 1.8 / ()
HYDRAUL.CONTROL



Picture

Page 1 from 1

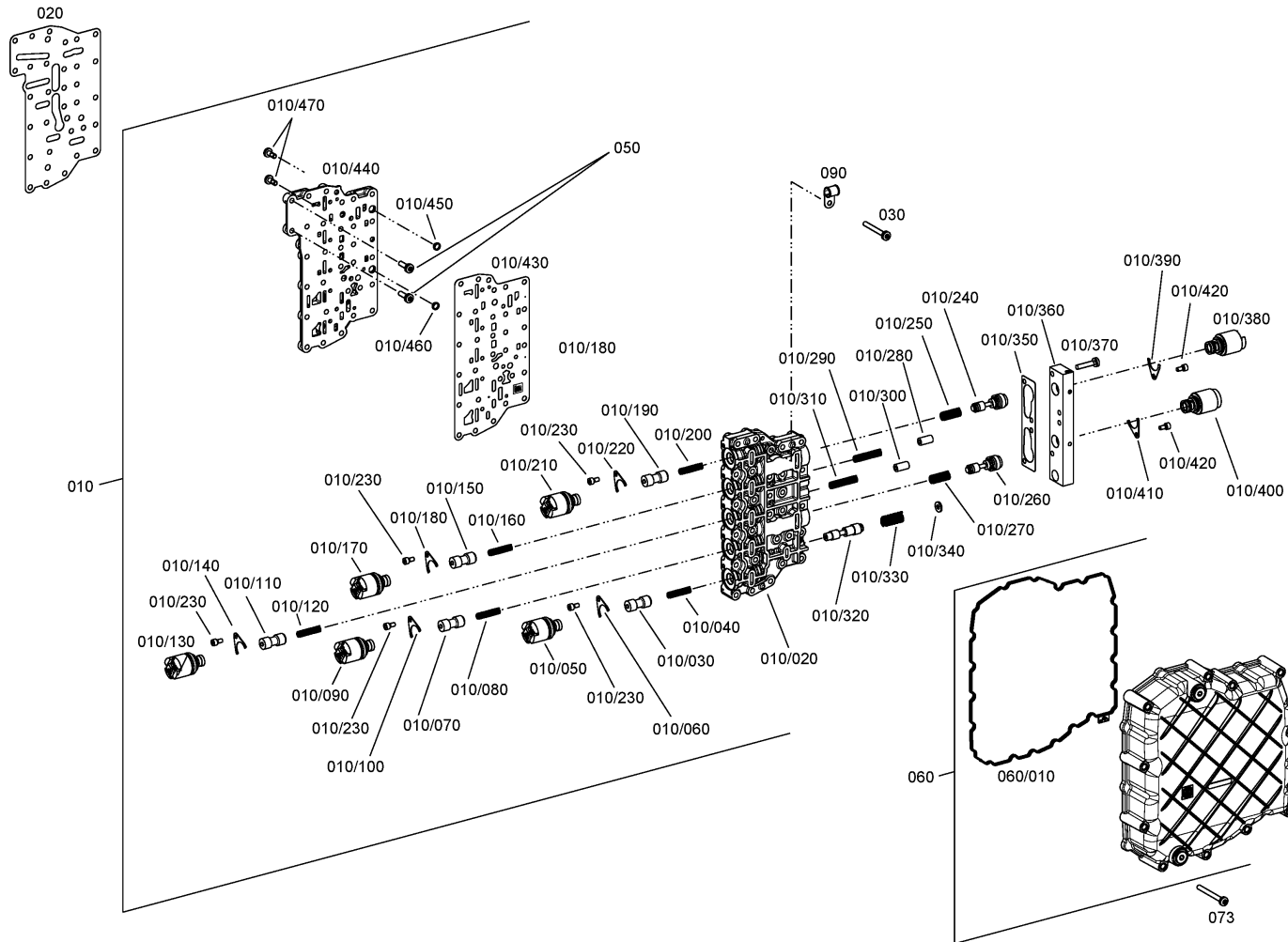
Material number: 2092.033.009

Picture: 209215200800

Material-assembly-group-no: 2092.152.008



ECCOM 1.8 / ()
HYDRAUL.CONTROL



Picture

Page 1 from 1

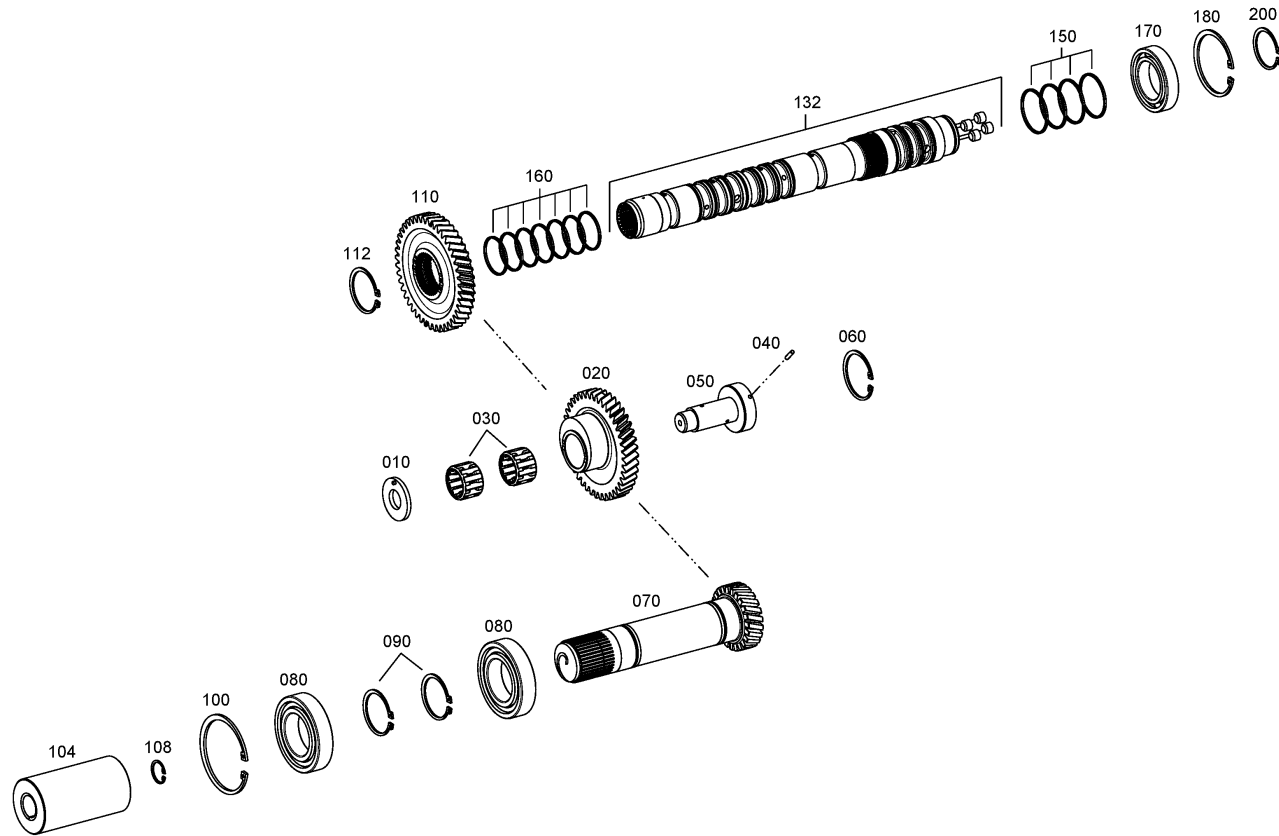
Material number: 2092.033.009

Picture: 209215903100

Material-assembly-group-no: 2092.159.031



ECCOM 1.8 / ()
INPUT



Picture

Page 1 from 1

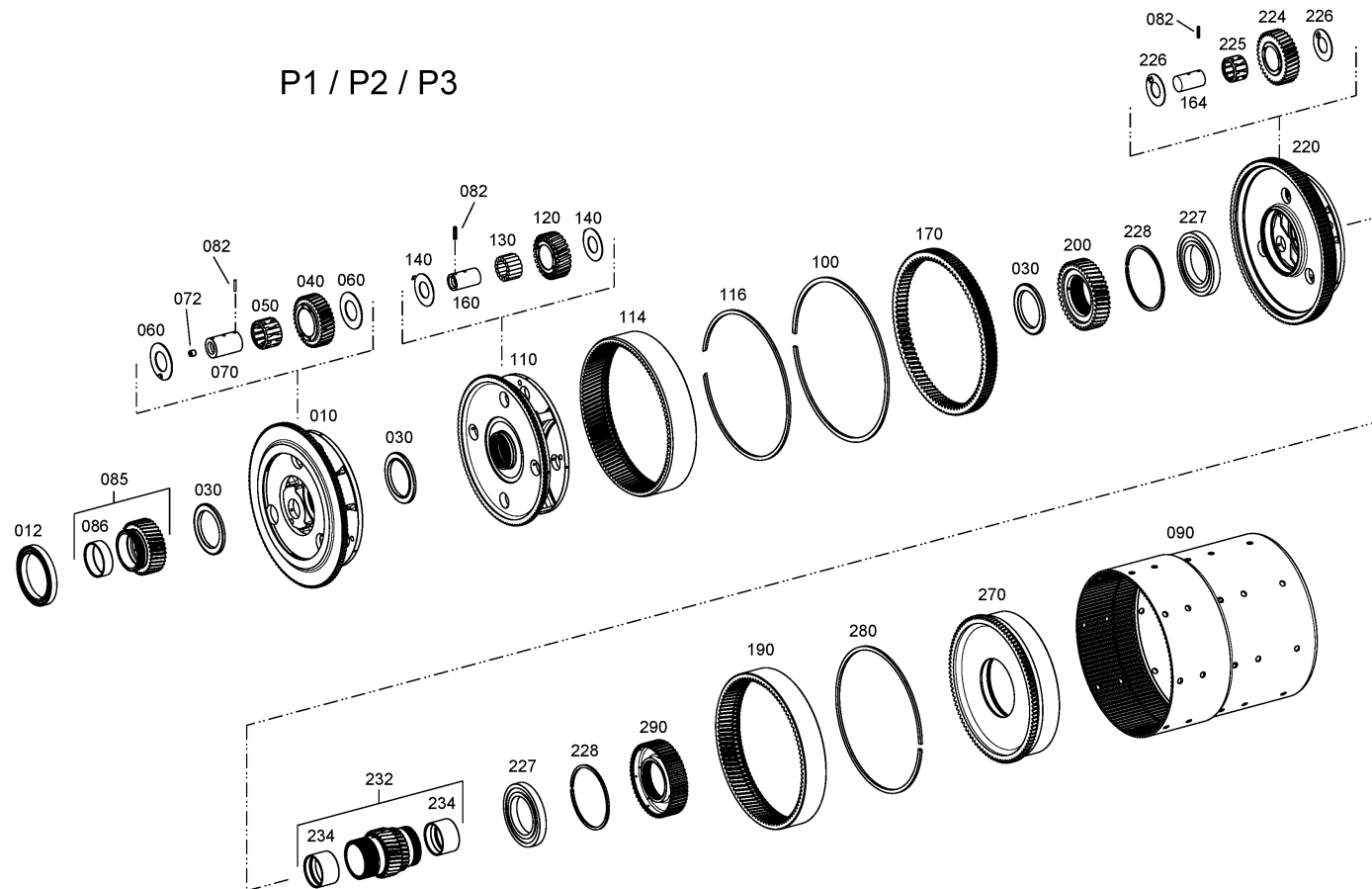
Material number: 2092.033.009

Picture: 209216004500

Material-assembly-group-no: 2092.160.045



ECCOM 1.8 / ()
PLANETARY DRIVE



Picture

Page 1 from 1

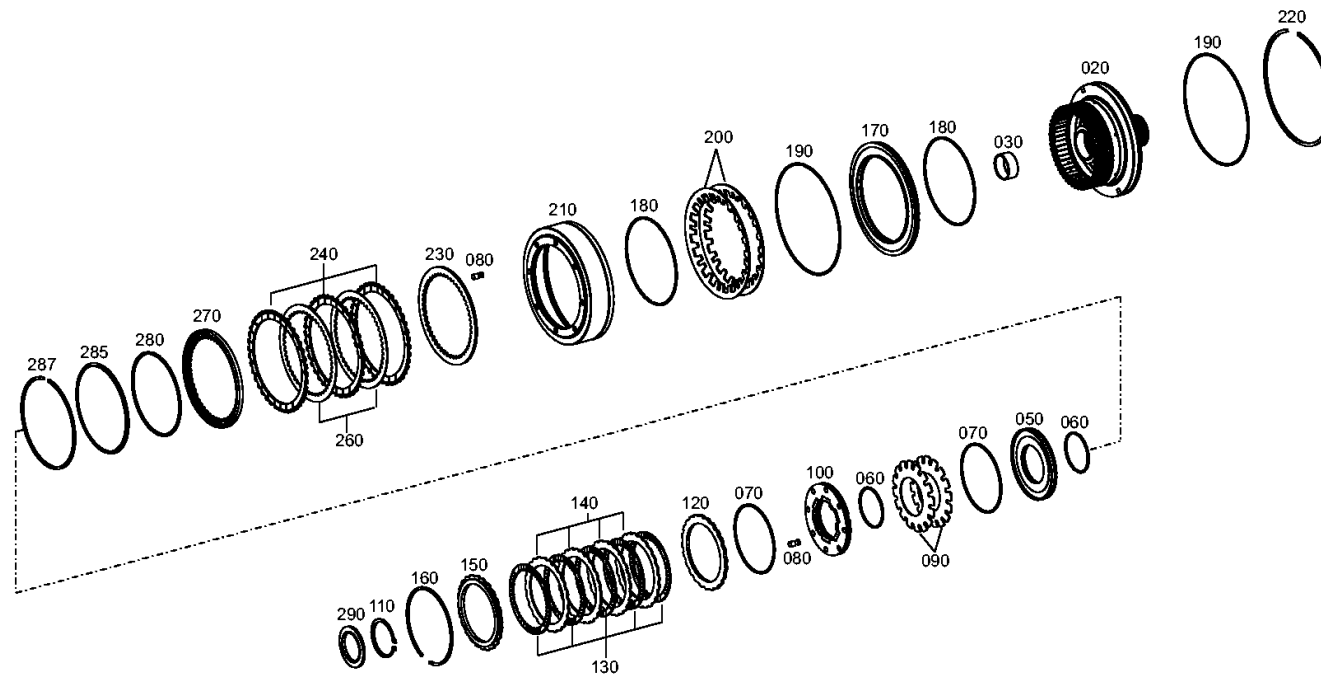
Material number: 2092.033.009

Picture: 209216102400

Material-assembly-group-no: 2092.161.024



ECCOM 1.8 / ()
COUPLING



Picture

Page 1 from 1

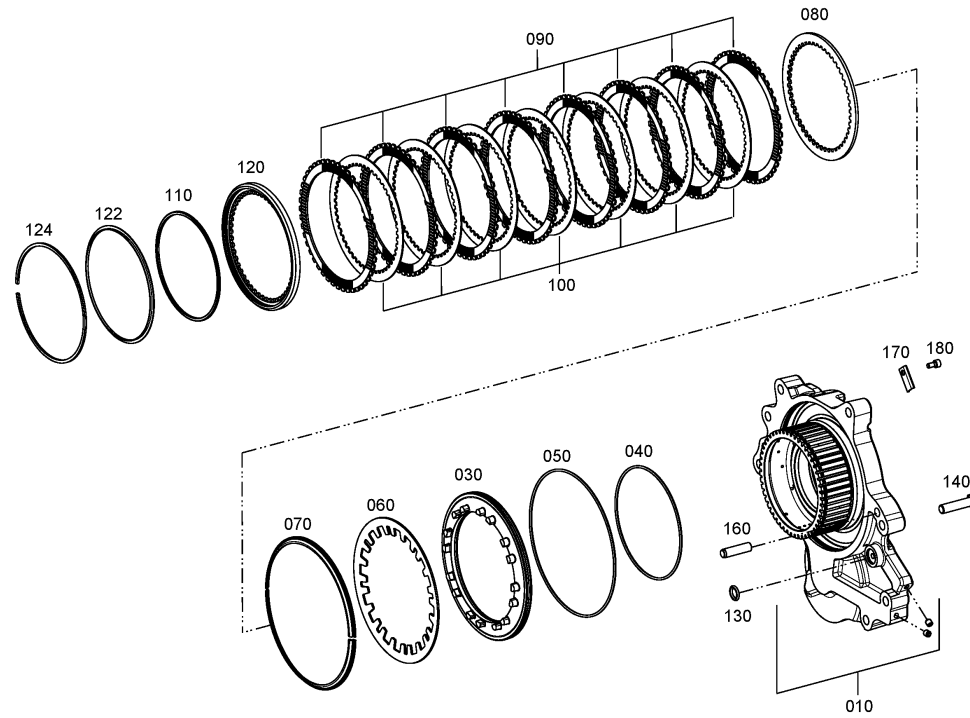
Material number: 2092.033.009

Picture: 209216303200

Material-assembly-group-no: 2092.163.032



ECCOM 1.8 / ()
BRAKE



Picture

Page 1 from 1

Material number: 2092.033.009

Picture: 209217104400

Material-assembly-group-no: 2092.171.044



ECCOM 1.8 / ()
PLANETARY DRIVE

P4 - K3/K4

