



Spare Parts Catalog

ECCOM 1.5

()

Material number: 2092.020.012

Current date: 08.04.2026

ZF Friedrichshafen AG
Hauptverwaltung
80038 Friedrichshafen
Deutschland

Telefon: +49 7541 77-0

Telefax: +49 7541 77-908000

www.zf.com

zuständiges Werk:
Passau

Picture

Page 1 from 2

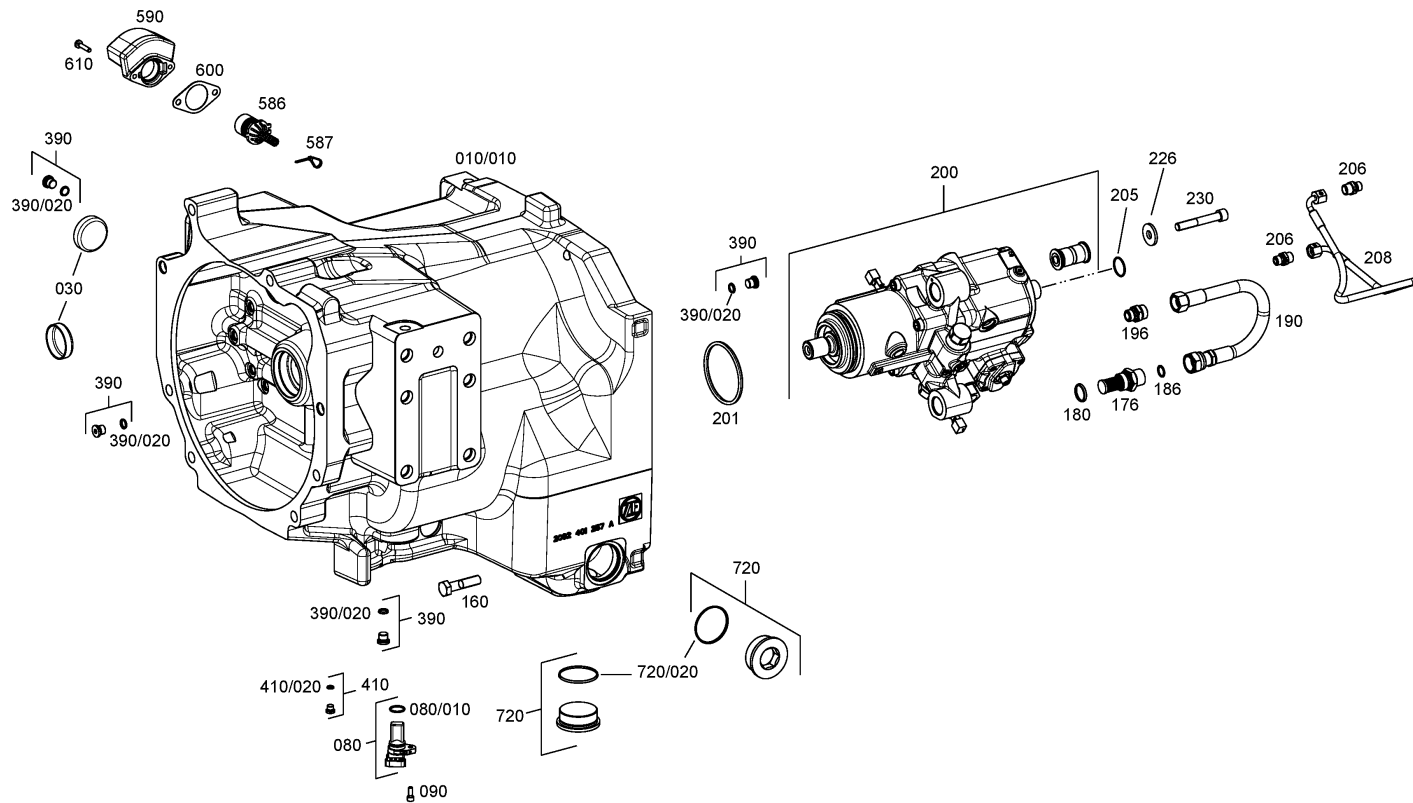
Material number: 2092.019.012

Picture: 209210115101

Material-assembly-group-no: 2092.101.151



ECCOM 1.5 / ()
HOUSING



Picture

Page 2 from 2

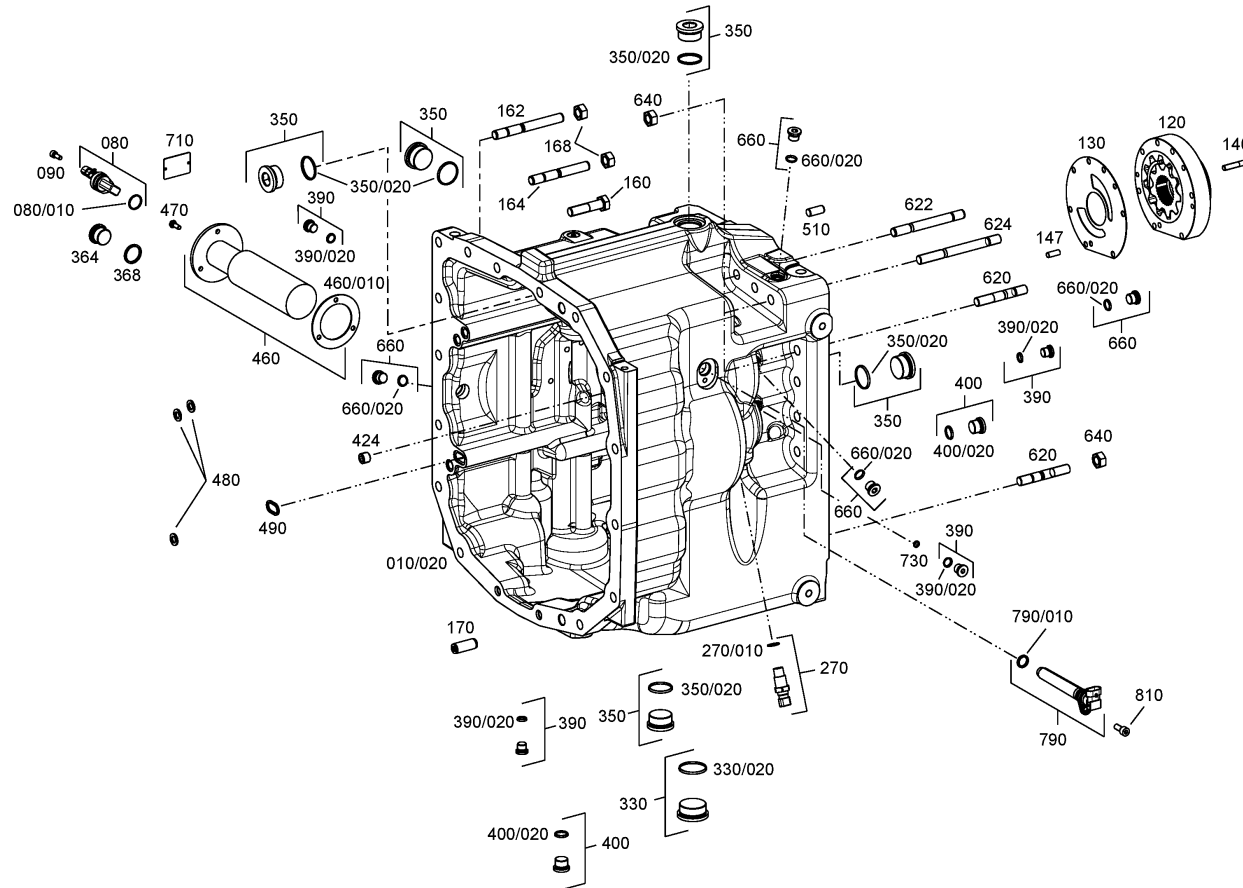
Material number: 2092.019.012

Picture: 209210115102

Material-assembly-group-no: 2092.101.151



ECCOM 1.5 / ()
HOUSING



Picture

Page 1 from 1

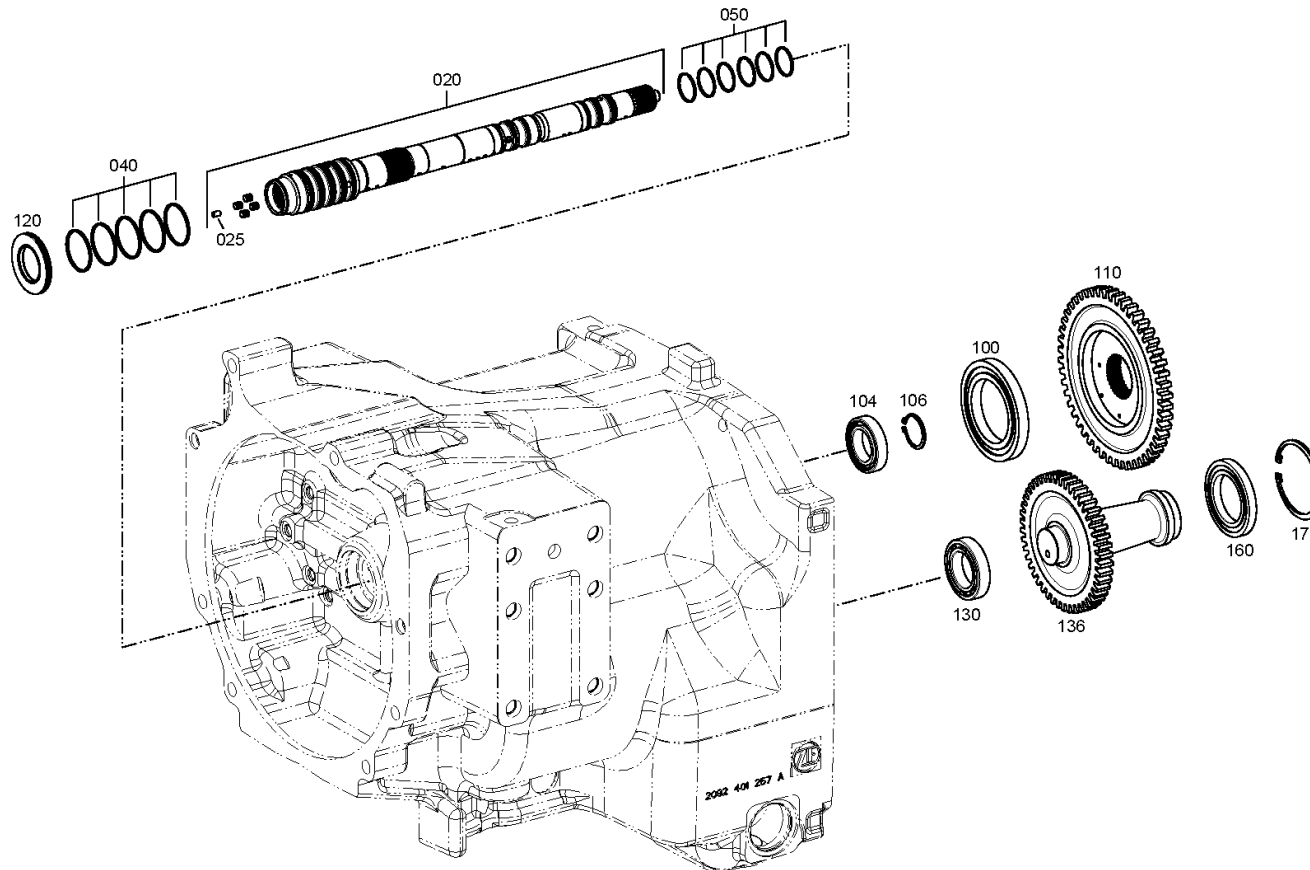
Material number: 2092.019.012

Picture: 209210207600

Material-assembly-group-no: 2092.102.076



ECCOM 1.5 / ()
INPUT



Picture

Page 1 from 1

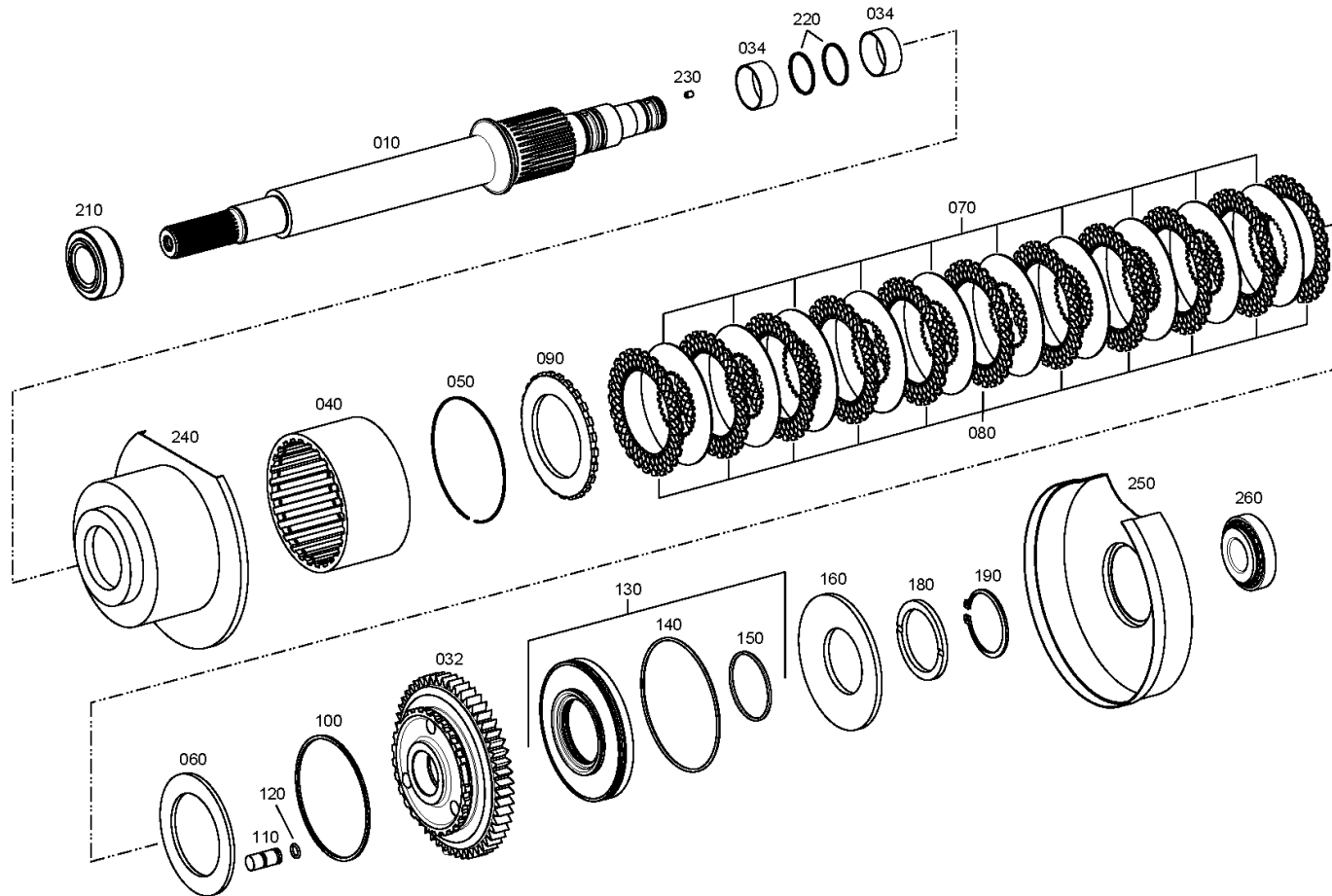
Material number: 2092.019.012

Picture: 209214641100

Material-assembly-group-no: 2092.146.411



ECCOM 1.5 / ()
FRONT WH.DRIVE



Picture

Page 1 from 2

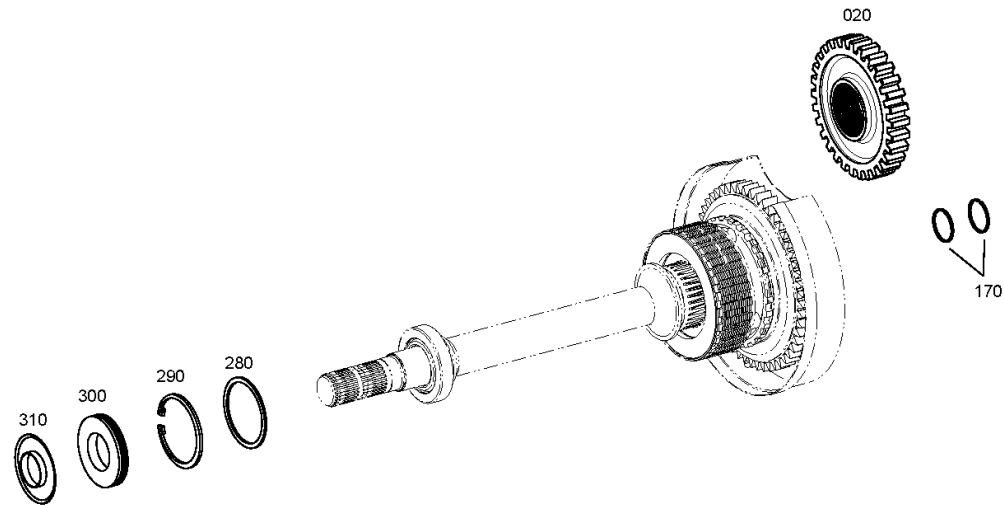
Material number: 2092.019.012

Picture: 209214640500

Material-assembly-group-no: 2092.146.405



ECCOM 1.5 / ()
FRONT WH.DRIVE



Picture

Page 2 from 2

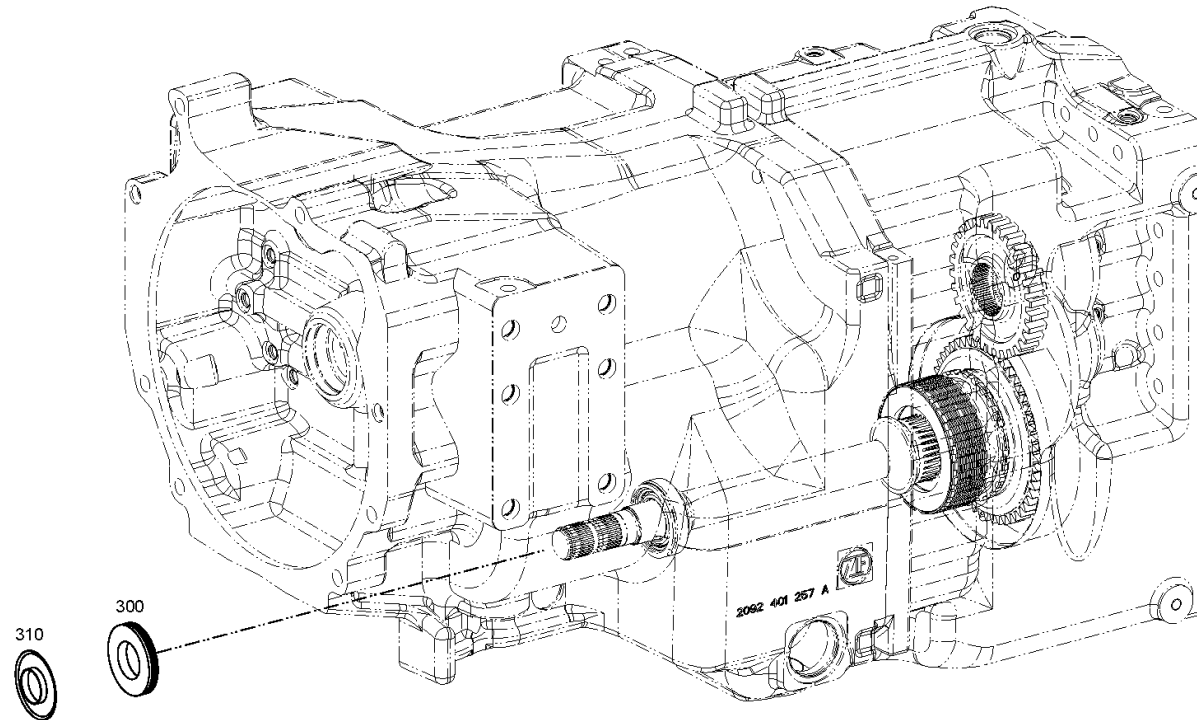
Material number: 2092.019.012

Picture: 209214640580

Material-assembly-group-no: 2092.146.405



ECCOM 1.5 / ()
FRONT WH.DRIVE



Picture

Page 1 from 2

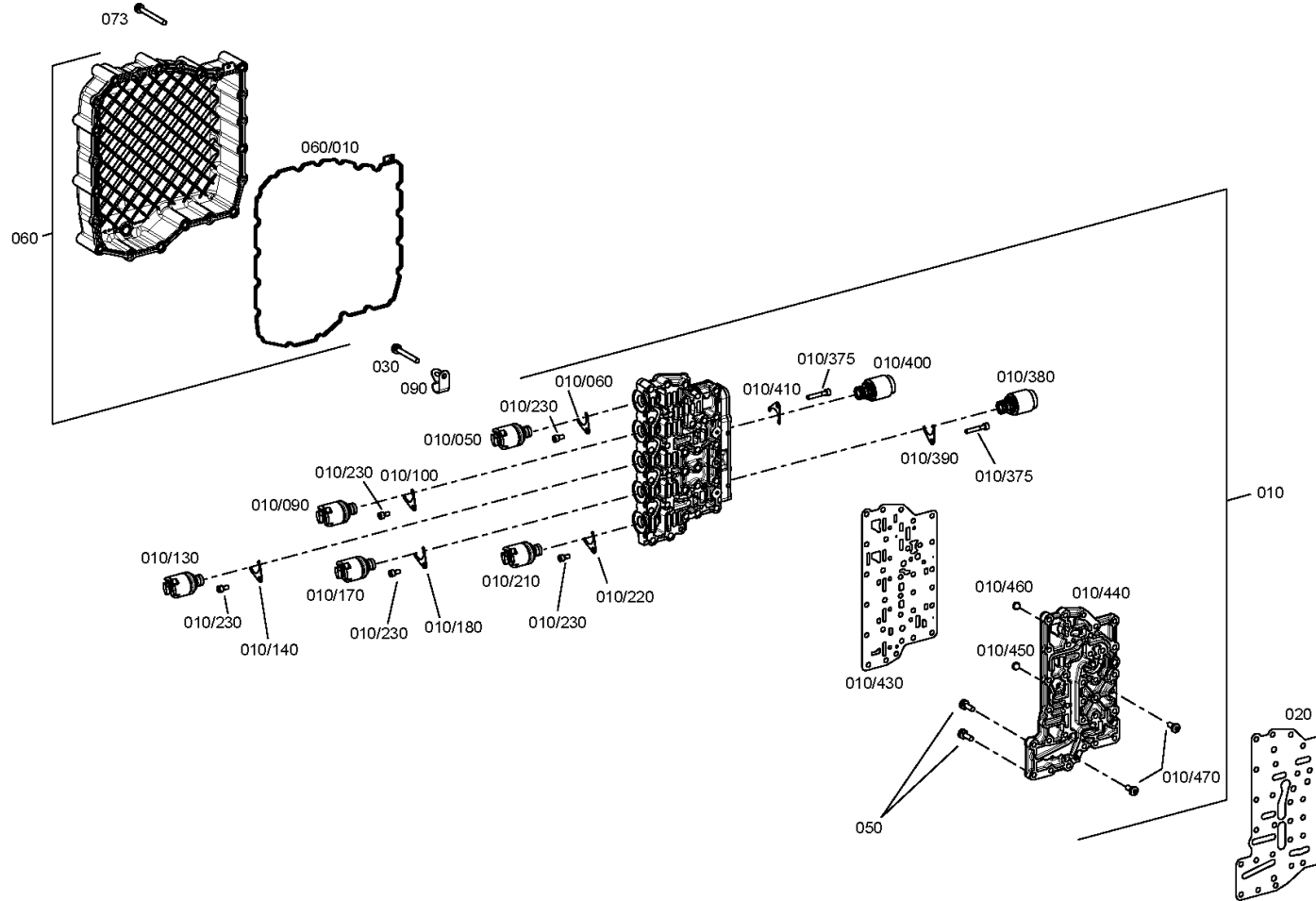
Material number: 2092.019.012

Picture: 209215201351

Material-assembly-group-no: 2092.152.013



ECCOM 1.5 / ()
HYDRAUL.CONTROL



Picture

Page 2 from 2

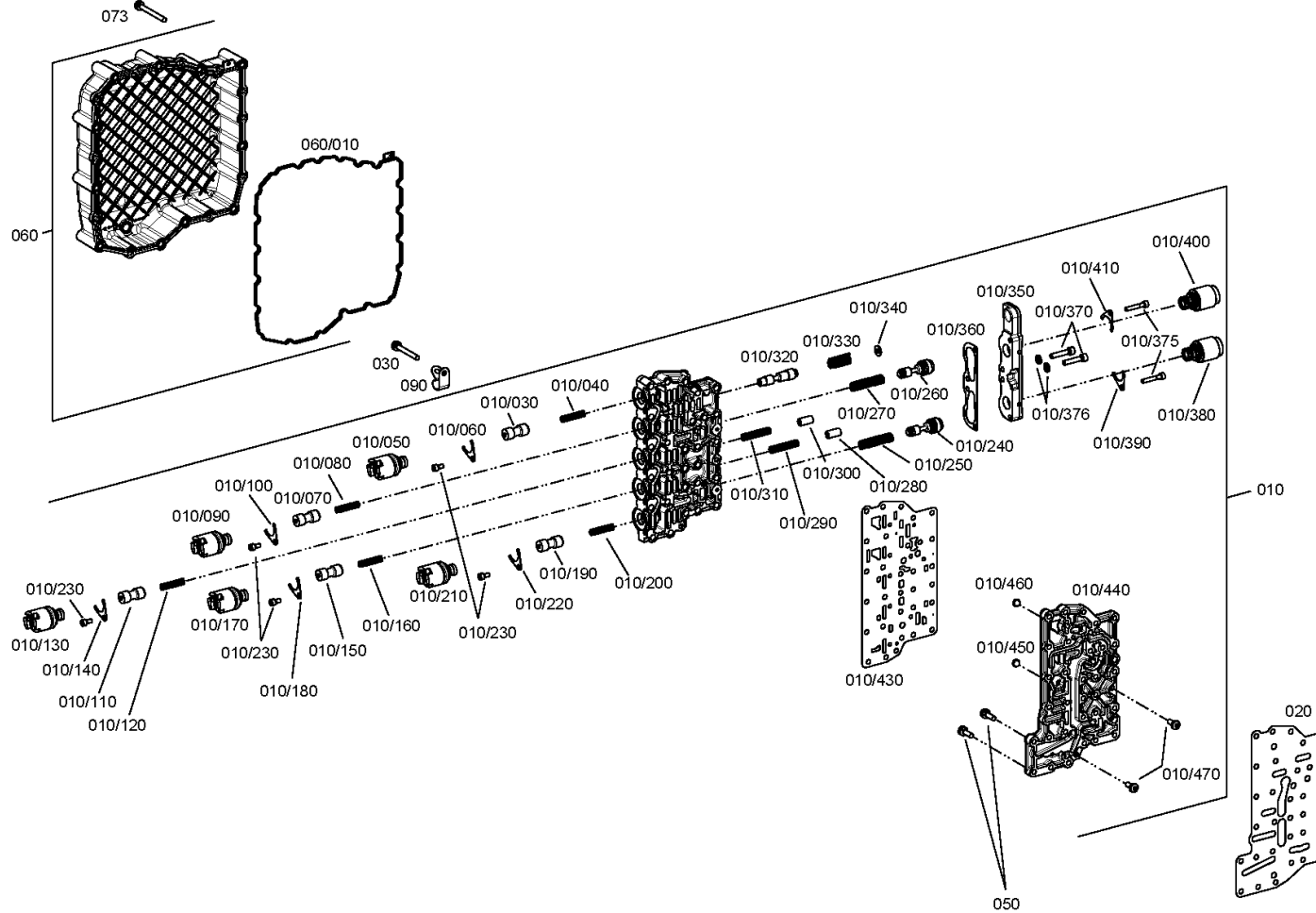
Material number: 2092.019.012

Picture: 209215201355

Material-assembly-group-no: 2092.152.013



ECCOM 1.5 / ()
HYDRAUL.CONTROL



Picture

Page 1 from 1

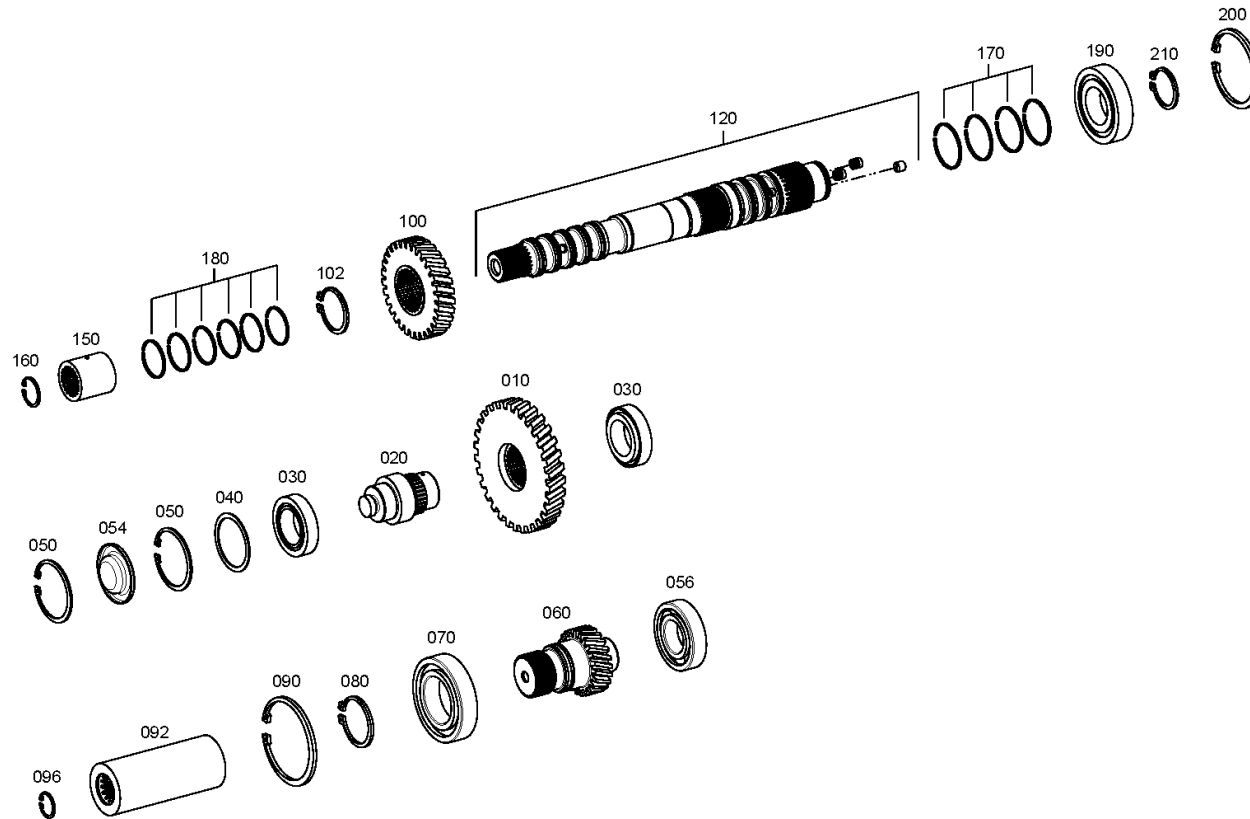
Material number: 2092.019.012

Picture: 209215906000

Material-assembly-group-no: 2092.159.060



ECCOM 1.5 / ()
INPUT



Picture

Page 1 from 1

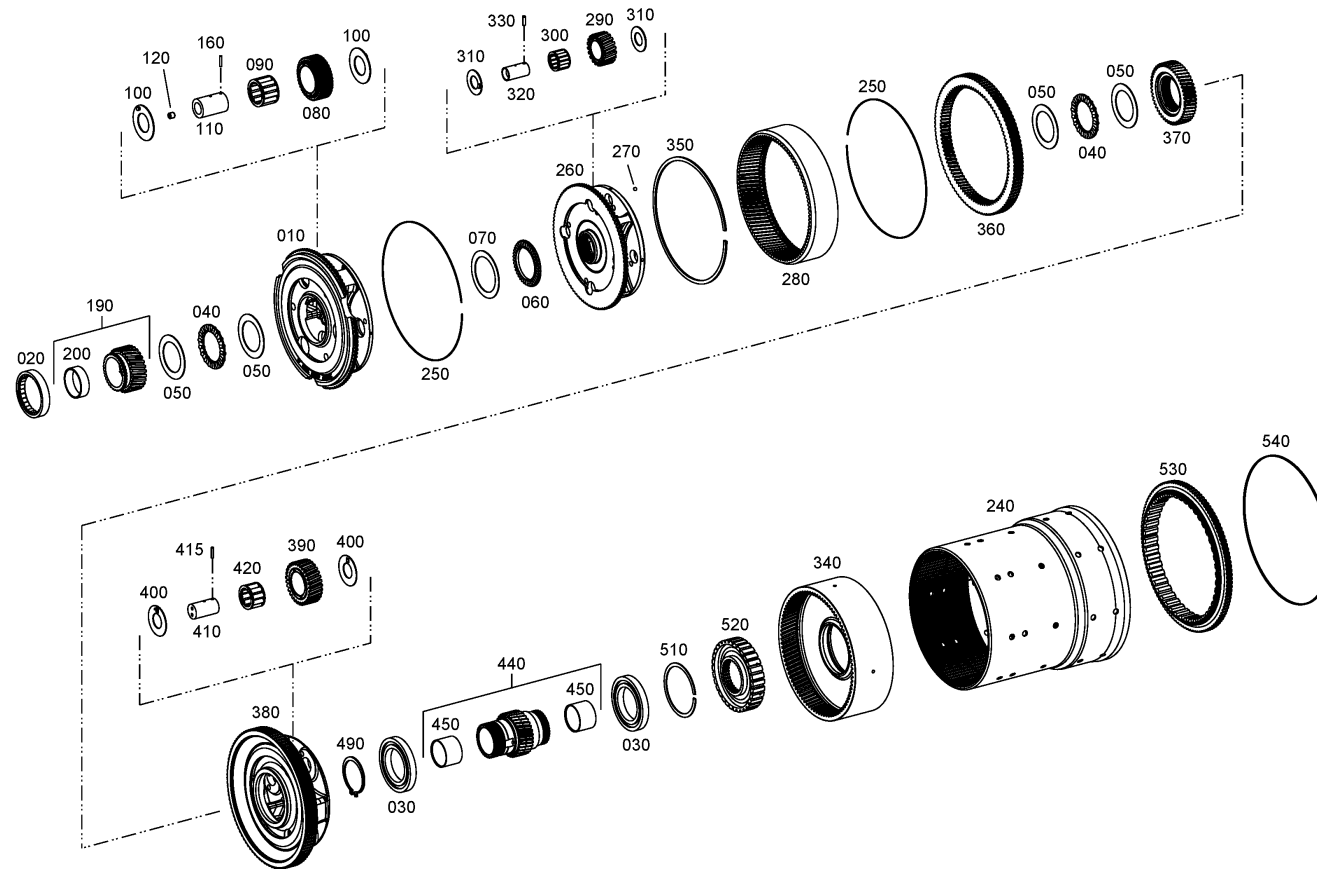
Material number: 2092.019.012

Picture: 209216006000

Material-assembly-group-no: 2092.160.060



ECCOM 1.5 / ()
PLANETARY DRIVE



Picture

Page 1 from 1

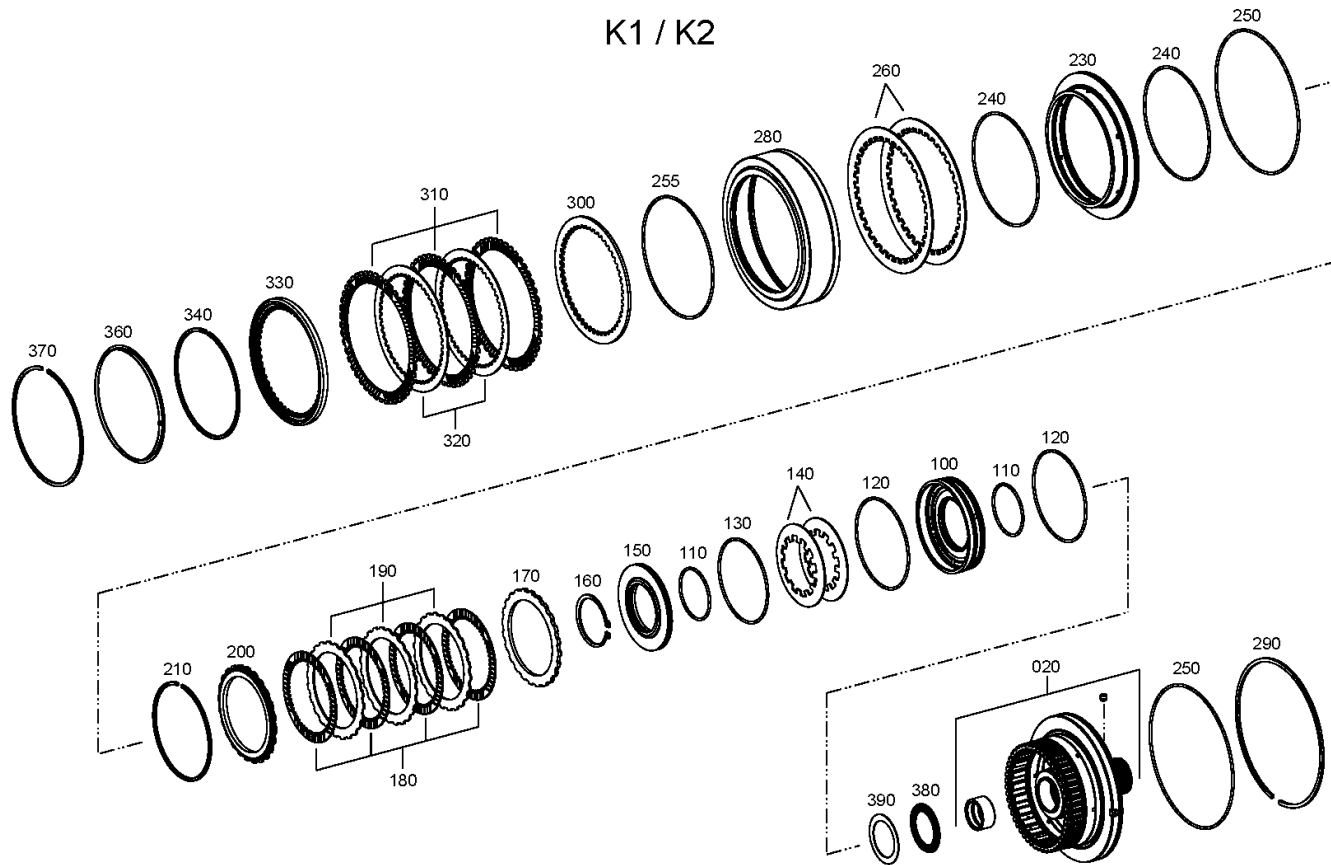
Material number: 2092.019.012

Picture: 209216104400

Material-assembly-group-no: 2092.161.044



ECCOM 1.5 / ()
COUPLING



Picture

Page 1 from 1

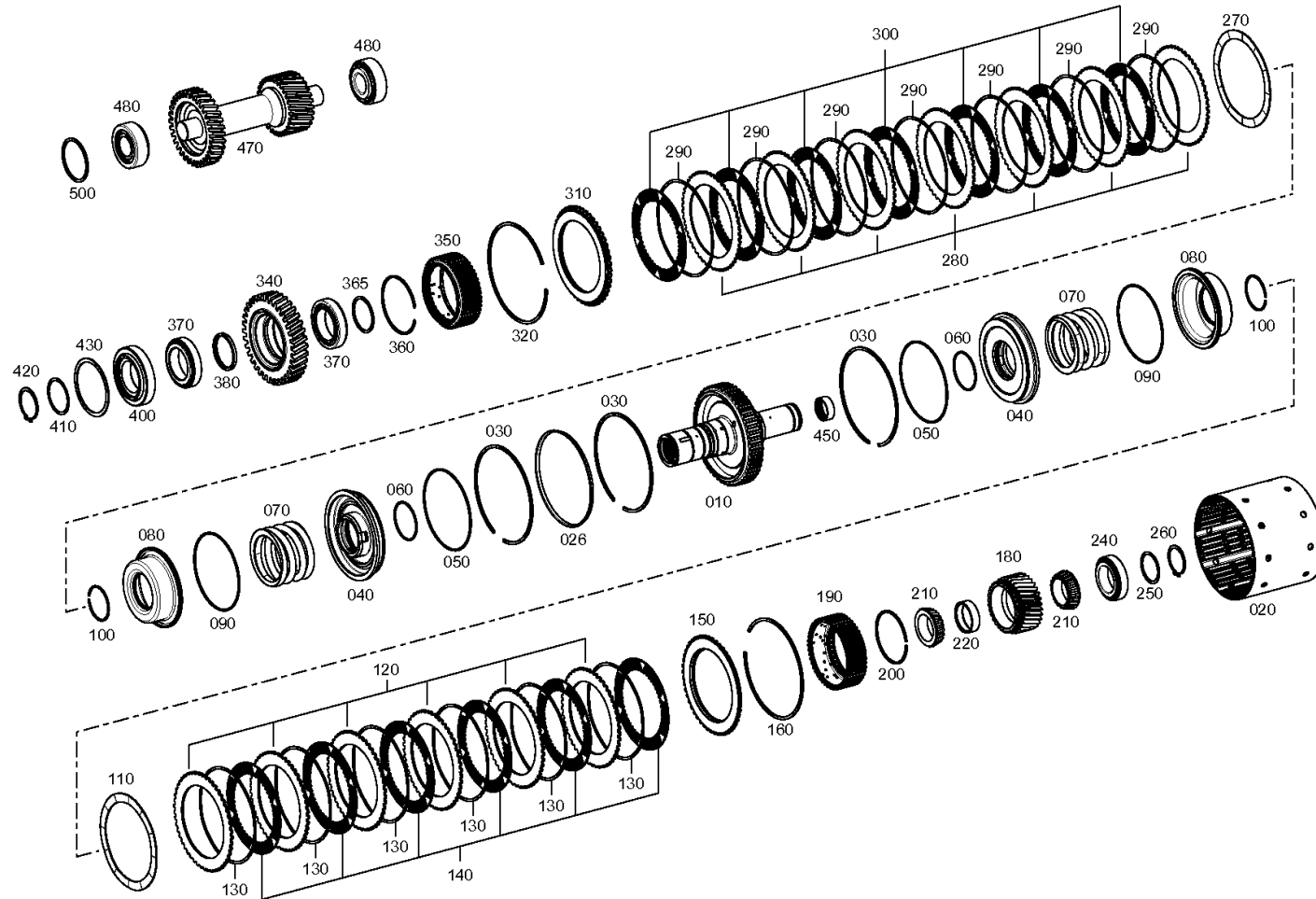
Material number: 2092.019.012

Picture: 209216211600

Material-assembly-group-no: 2092.162.116



ECCOM 1.5 / ()
COUPLING



Picture

Page 1 from 2

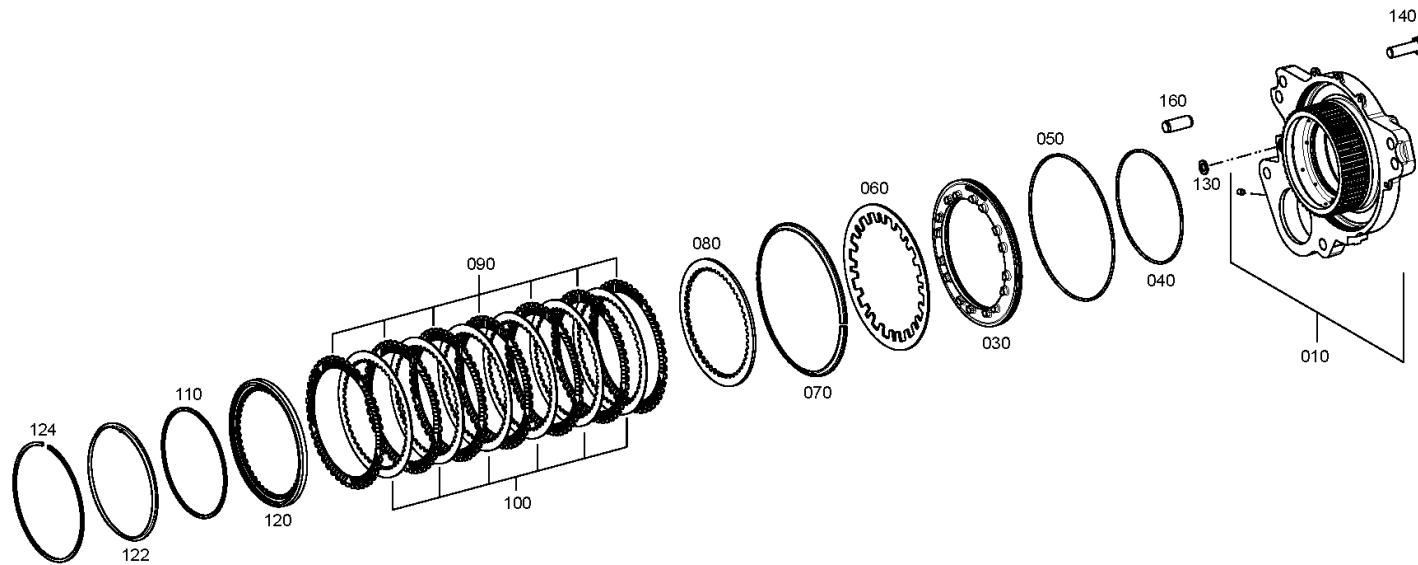
Material number: 2092.019.012

Picture: 209216306900

Material-assembly-group-no: 2092.163.069



ECCOM 1.5 / ()
BRAKE



Picture

Page 2 from 2

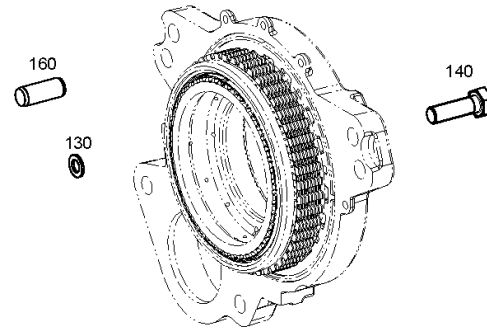
Material number: 2092.019.012

Picture: 209216306980

Material-assembly-group-no: 2092.163.069



ECCOM 1.5 / ()
BRAKE



Picture

Page 1 from 1

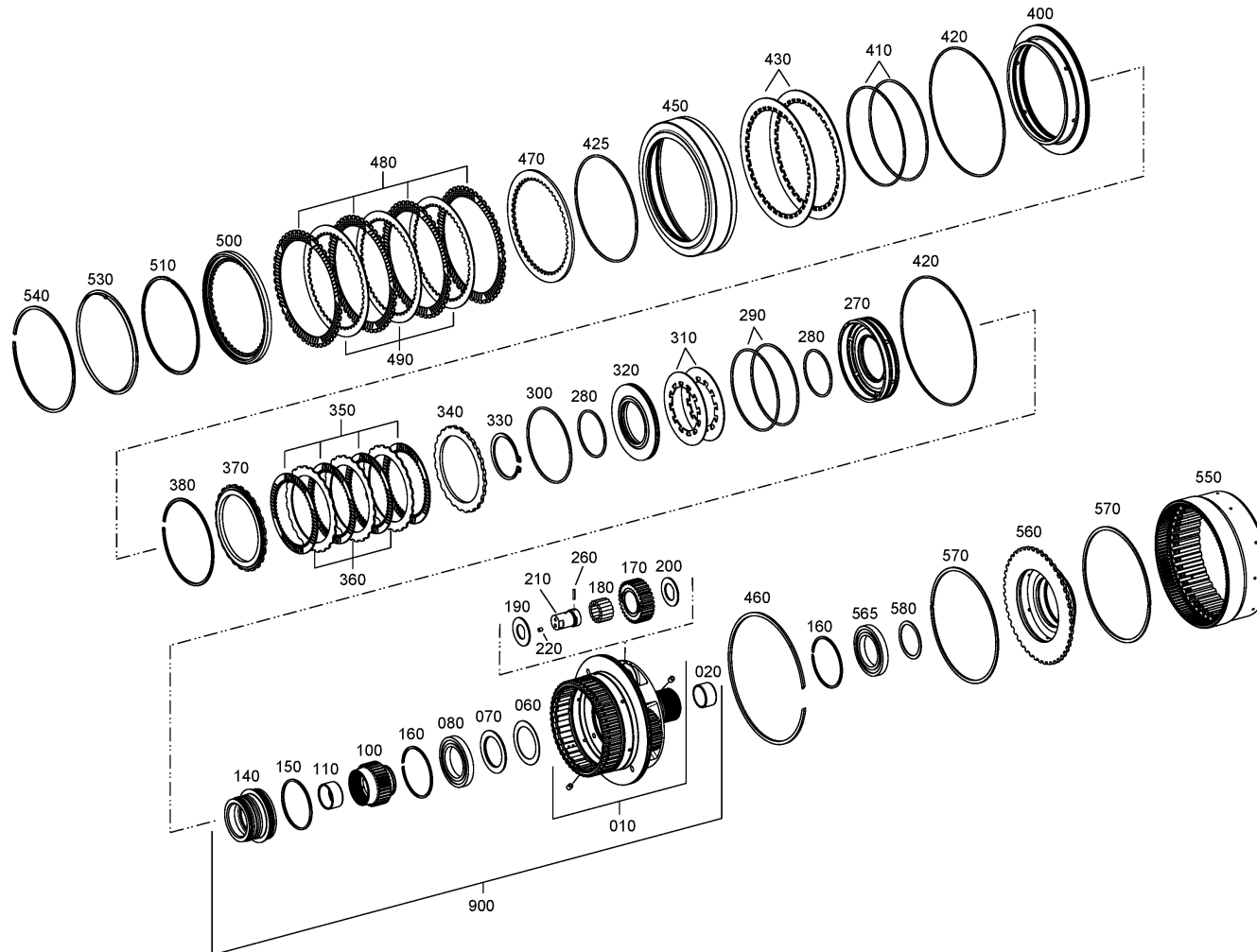
Material number: 2092.019.012

Picture: 209217105300

Material-assembly-group-no: 2092.171.053



ECCOM 1.5 / ()
PLANETARY DRIVE



Picture

Page 1 from 1

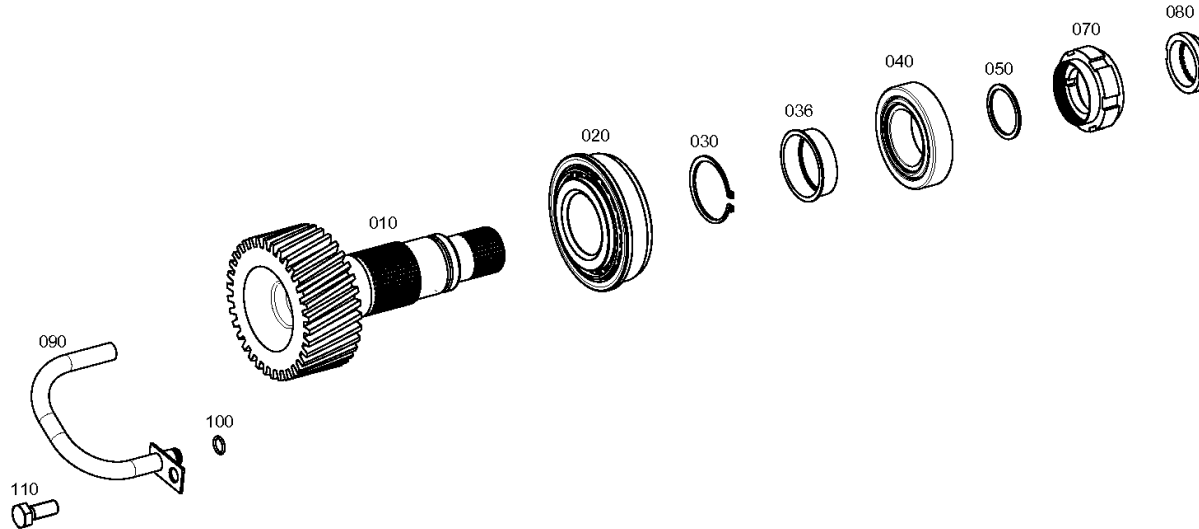
Material number: 2092.019.012

Picture: 209217401600

Material-assembly-group-no: 2092.174.016



ECCOM 1.5 / ()
OUTPUT



Picture

Page 1 from 1

Material number: 2092.019.012

Picture: 209219907100

Material-assembly-group-no: 2092.199.071



ECCOM 1.5 / ()
LOOSE PARTS

