



# Spare Parts Catalog

ZF 2250

Material number: 3100.030.040

Current date: 17.10.2025

ZF Friedrichshafen AG  
Hauptverwaltung  
80038 Friedrichshafen  
Deutschland

Telefon: +49 7541 77-0

Telefax: +49 7541 77-908000

[www.zf.com](http://www.zf.com)

zuständiges Werk:

Marine Propulsion System Friedrichshafen

# Picture

Page 1 from 5

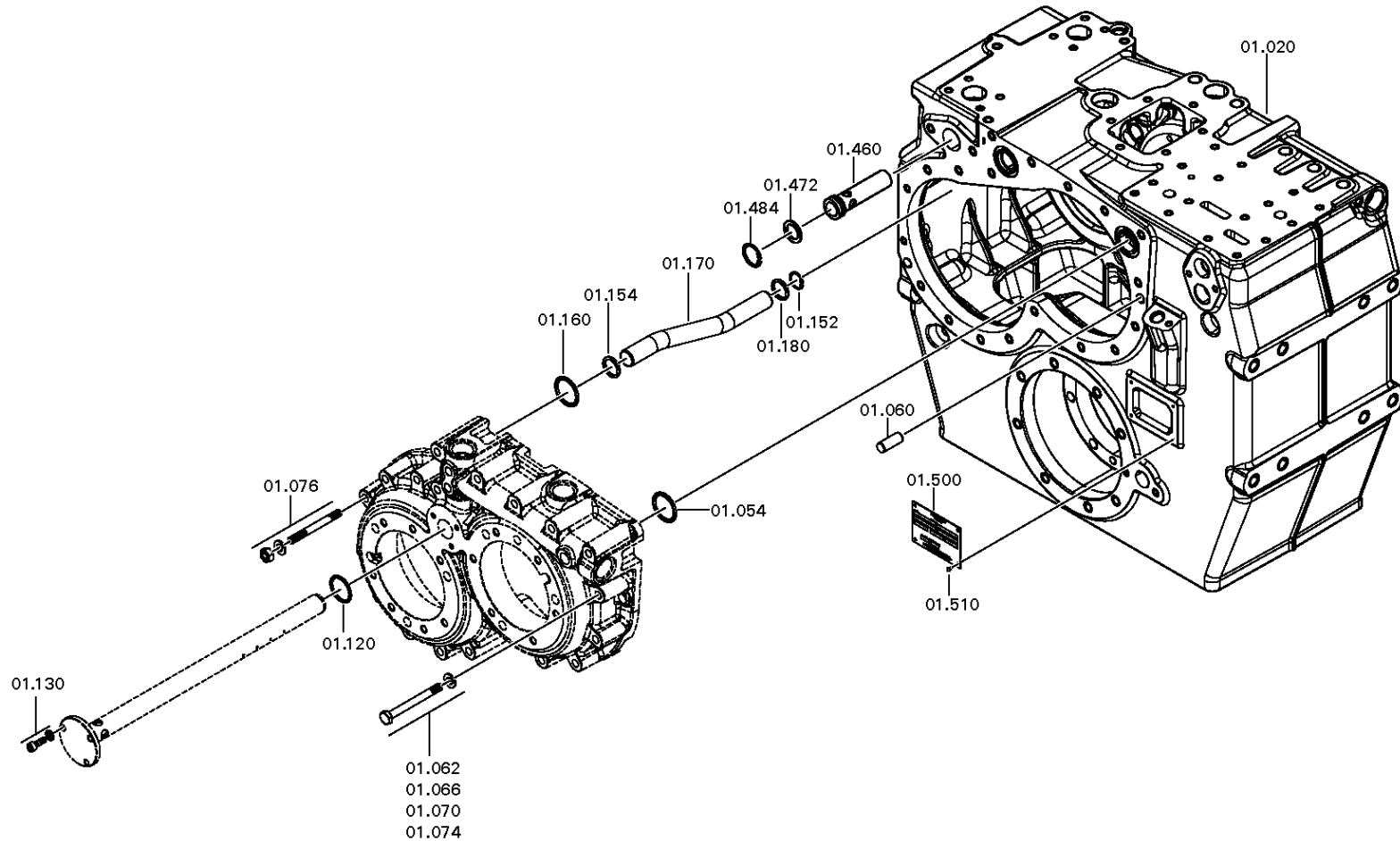
Material number: 3100.030.040

Picture: 134.01.03-1

TRANSMISSION HOUSING



ZF 2250 /  
TRANSMISSION HOUSING



# Picture

Page 2 from 5

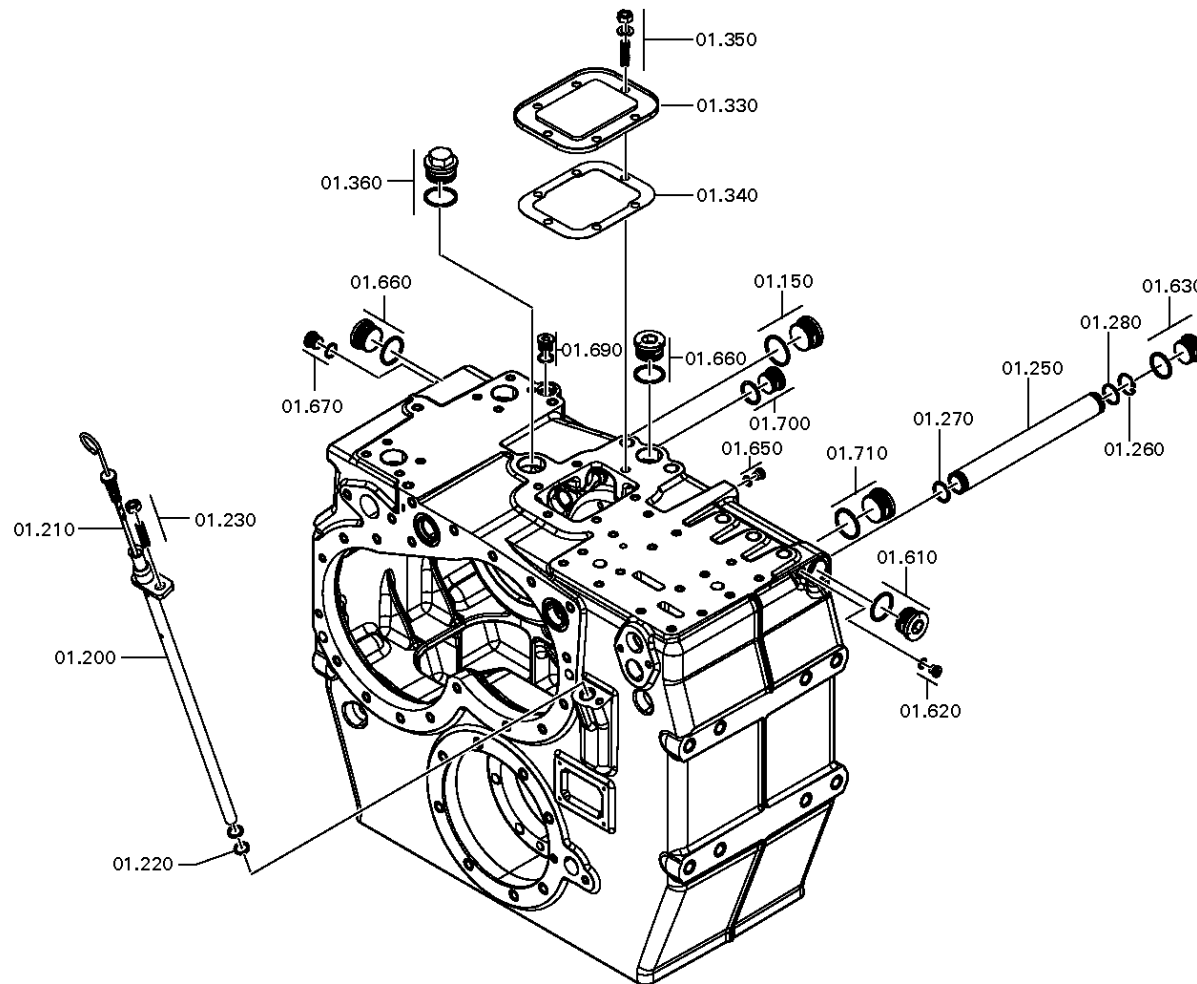
Material number: 3100.030.040

Picture: 134.01.03-2

TRANSMISSION HOUSING



ZF 2250 /  
TRANSMISSION HOUSING



# Picture

Page 3 from 5

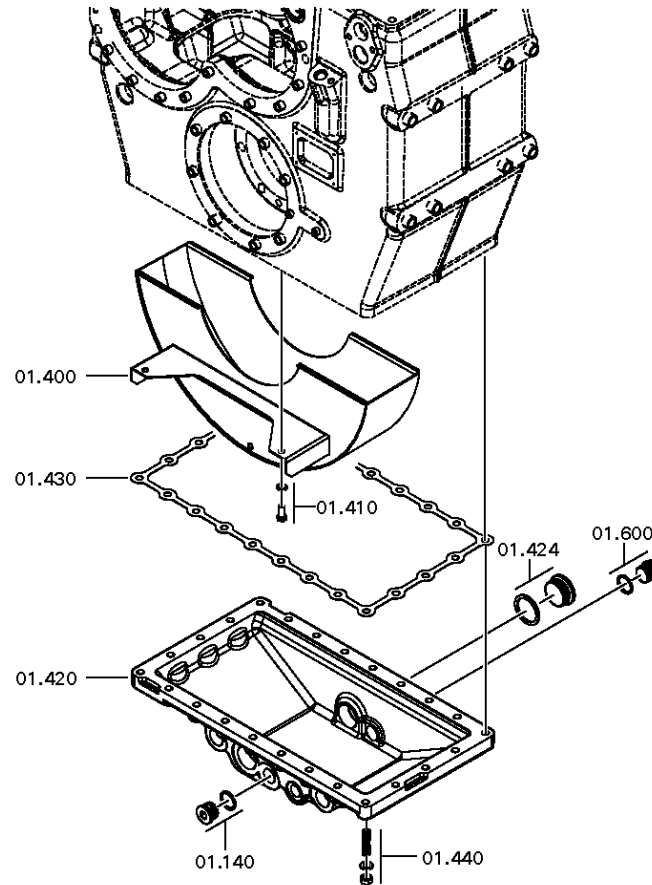
Material number: 3100.030.040

Picture: 134.01.03-3

TRANSMISSION HOUSING



ZF 2250 /  
TRANSMISSION HOUSING



# Picture

Page 4 from 5

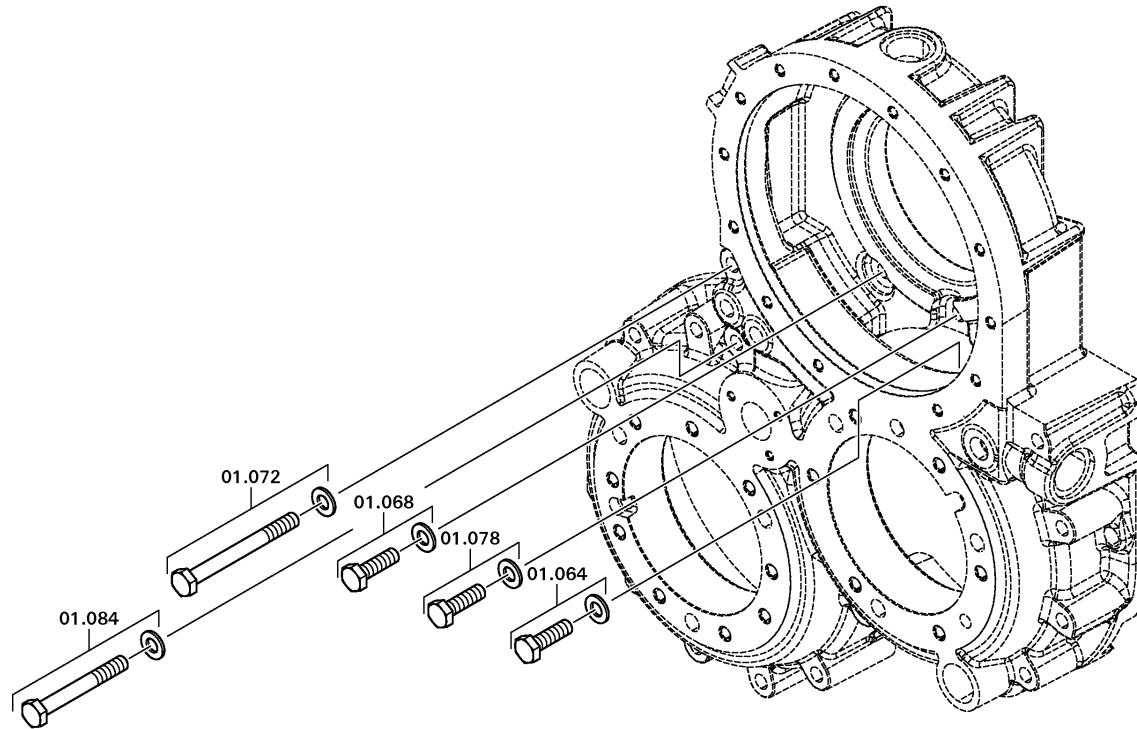
Material number: 3100.030.040

Picture: 134.001.085-1

TRANSMISSION HOUSING



ZF 2250 /  
TRANSMISSION HOUSING



# Picture

Page 5 from 5

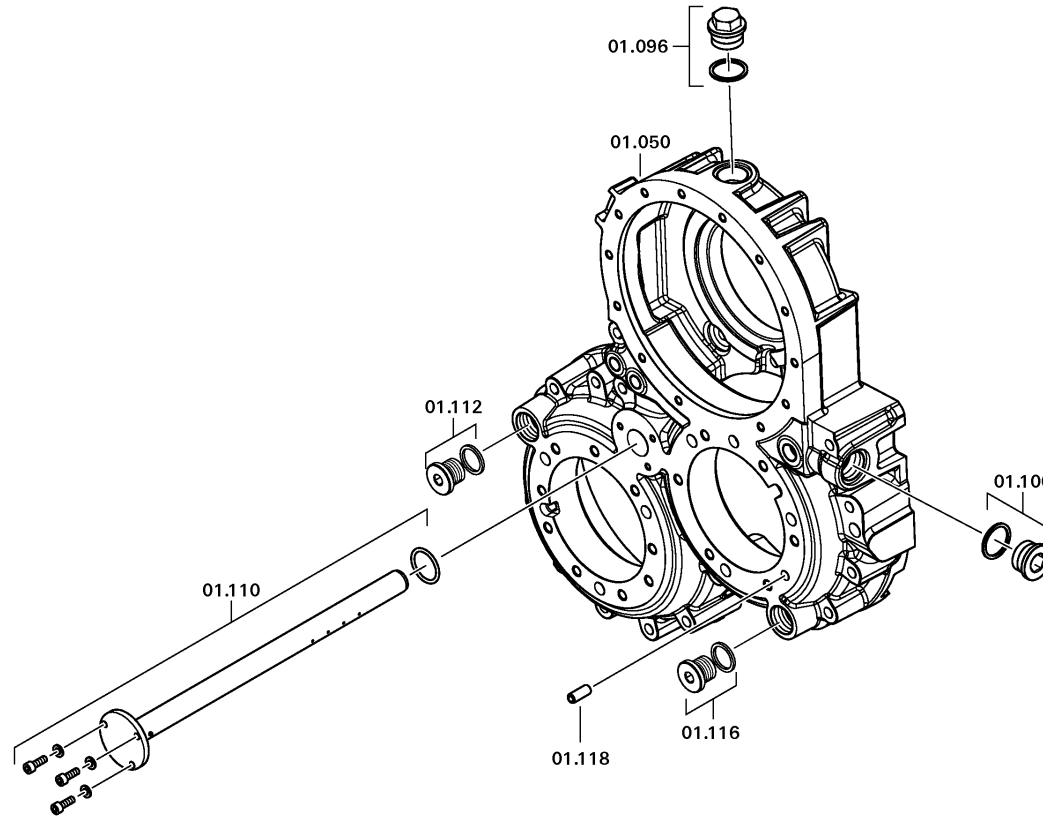
Material number: 3100.030.040

Picture: 134.001.088-1

TRANSMISSION HOUSING



ZF 2250 /  
TRANSMISSION HOUSING



# Picture

Page 1 from 4

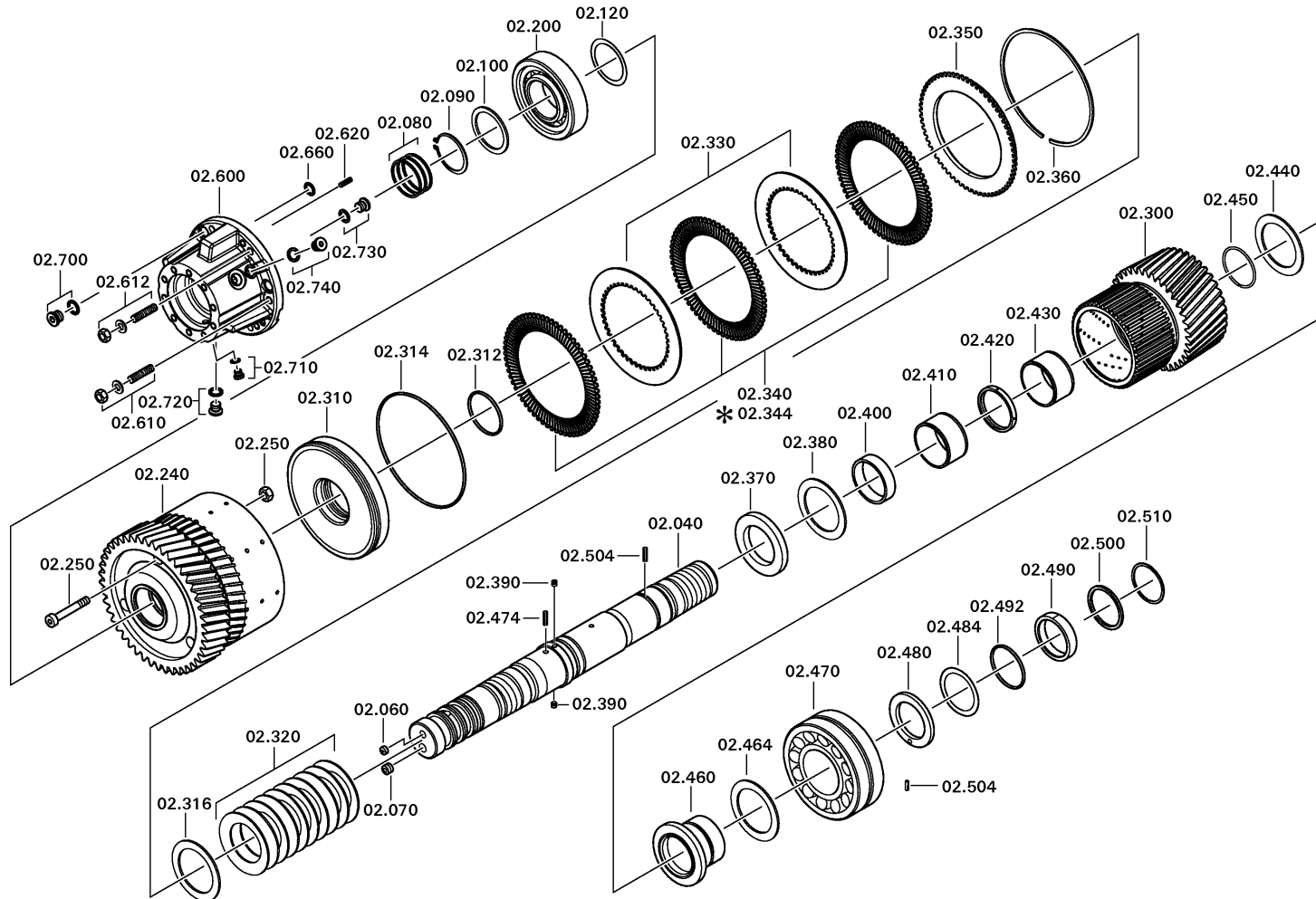
Material number: 3100.030.040

Picture: 134.002.007-1

INPUT SHAFT



ZF 2250 /  
INPUT SHAFT



# Picture

Page 2 from 4

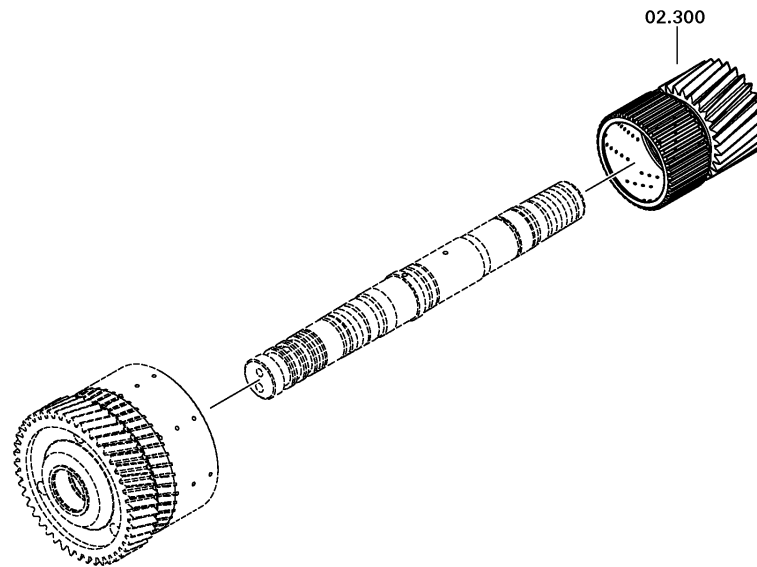
Material number: 3100.030.040

Picture: 134.002.041-1

INPUT SHAFT



ZF 2250 /  
INPUT SHAFT



# Picture

Page 3 from 4

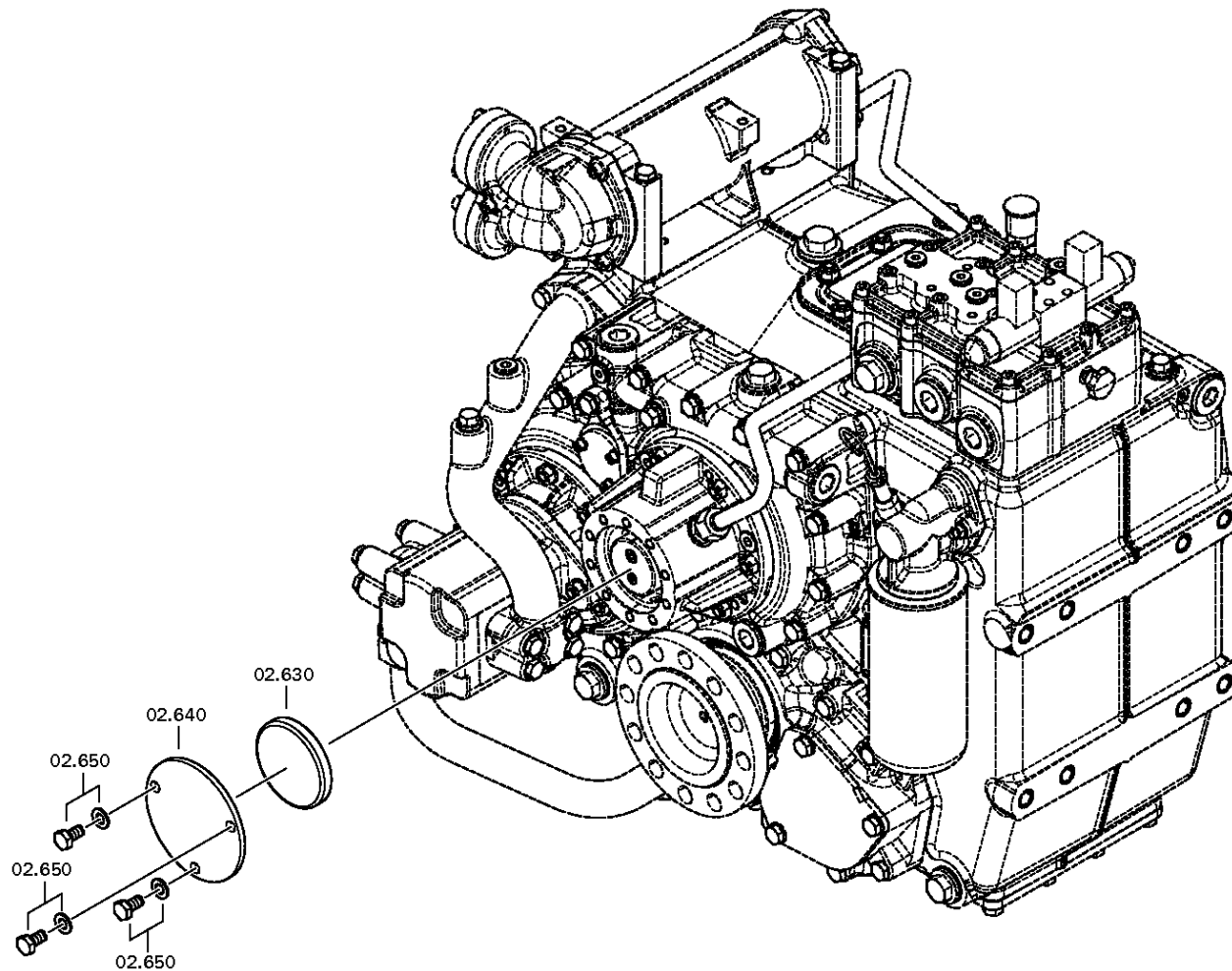
Material number: 3100.030.040

Picture: 134.002.087-1

INPUT SHAFT



ZF 2250 /  
INPUT SHAFT



# Picture

Page 4 from 4

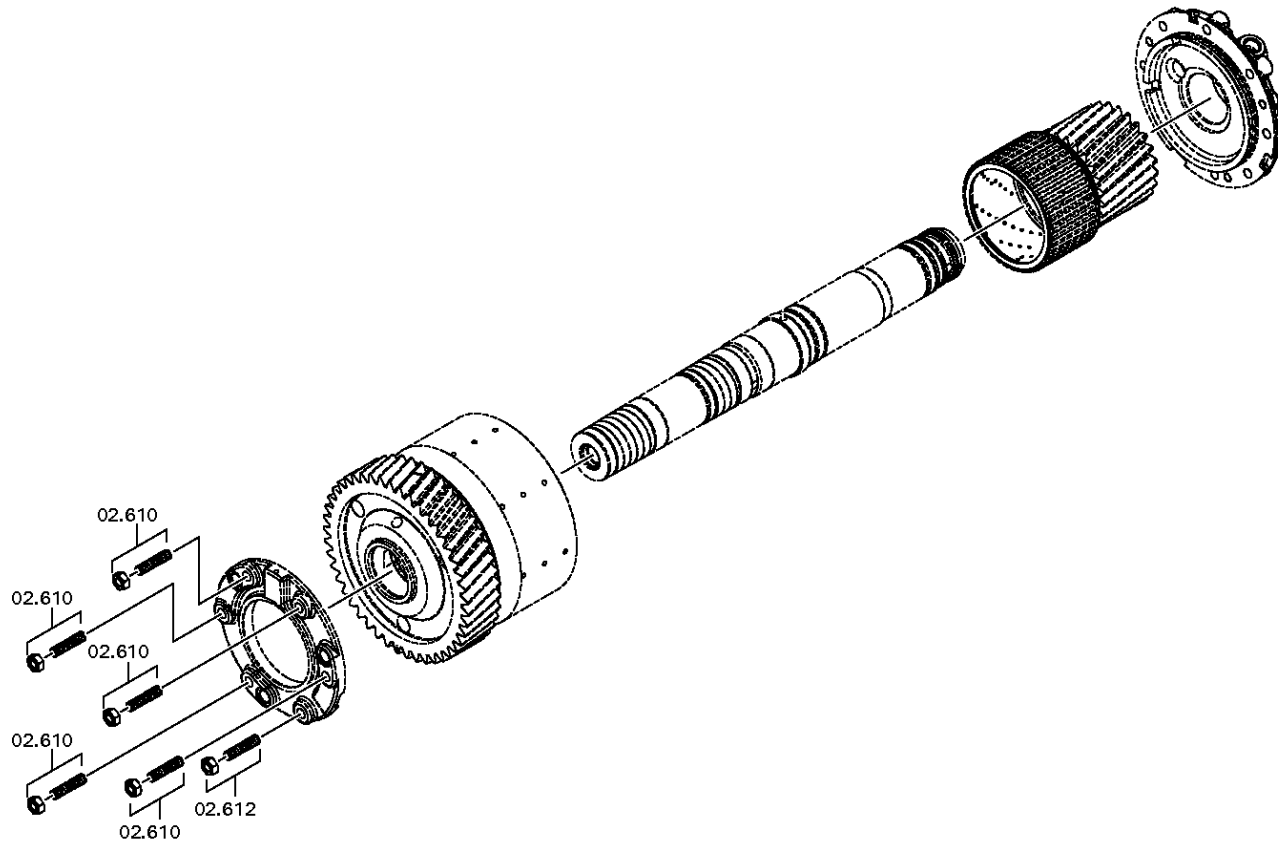
Material number: 3100.030.040

Picture: 134.02.83-1

INPUT SHAFT



ZF 2250 /  
INPUT SHAFT



# Picture

Page 1 from 3

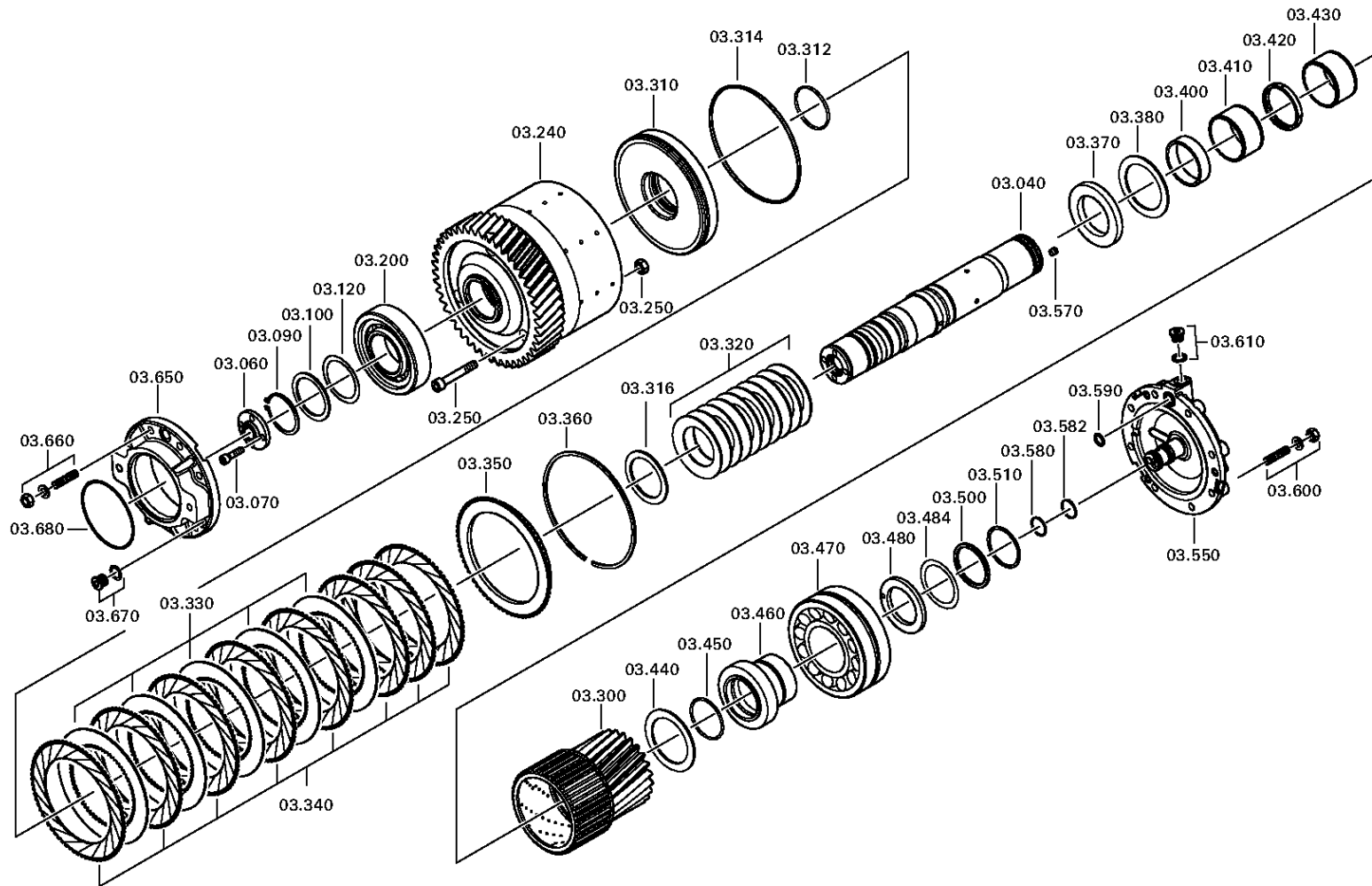
Material number: 3100.030.040

Picture: 134.03.05-1

INTERMEDIATE SHAFT



ZF 2250 /  
INTERMEDIATE SHAFT



# Picture

Page 2 from 3

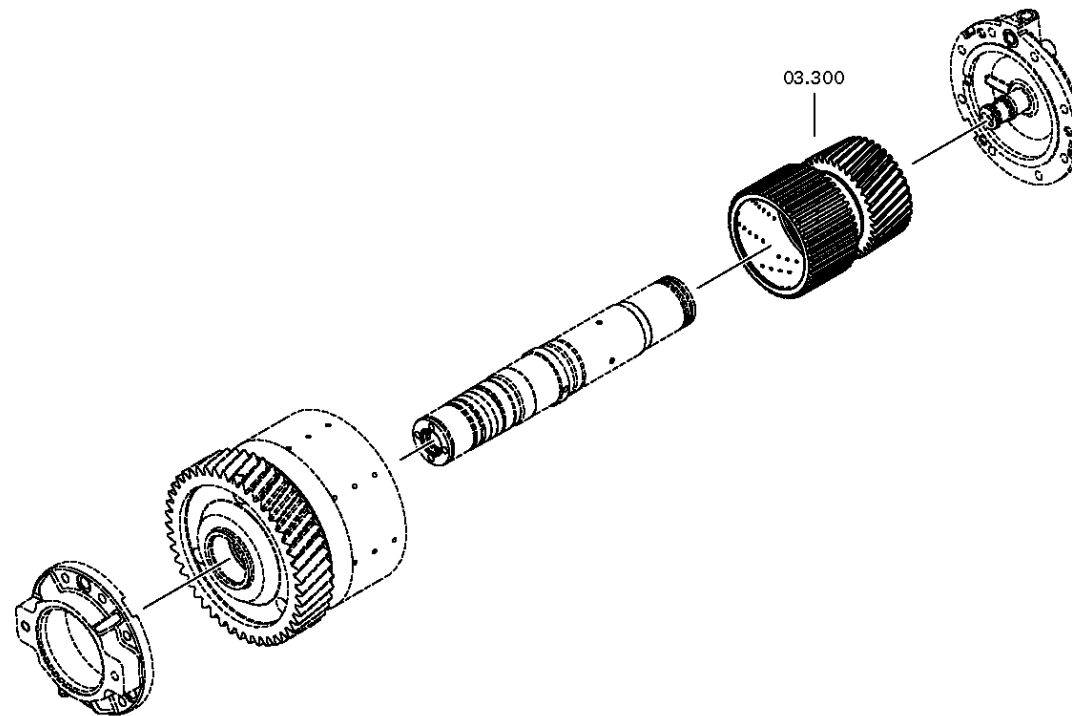
Material number: 3100.030.040

Picture: 134.003.052-1

INTERMEDIATE SHAFT



ZF 2250 /  
INTERMEDIATE SHAFT



# Picture

Page 3 from 3

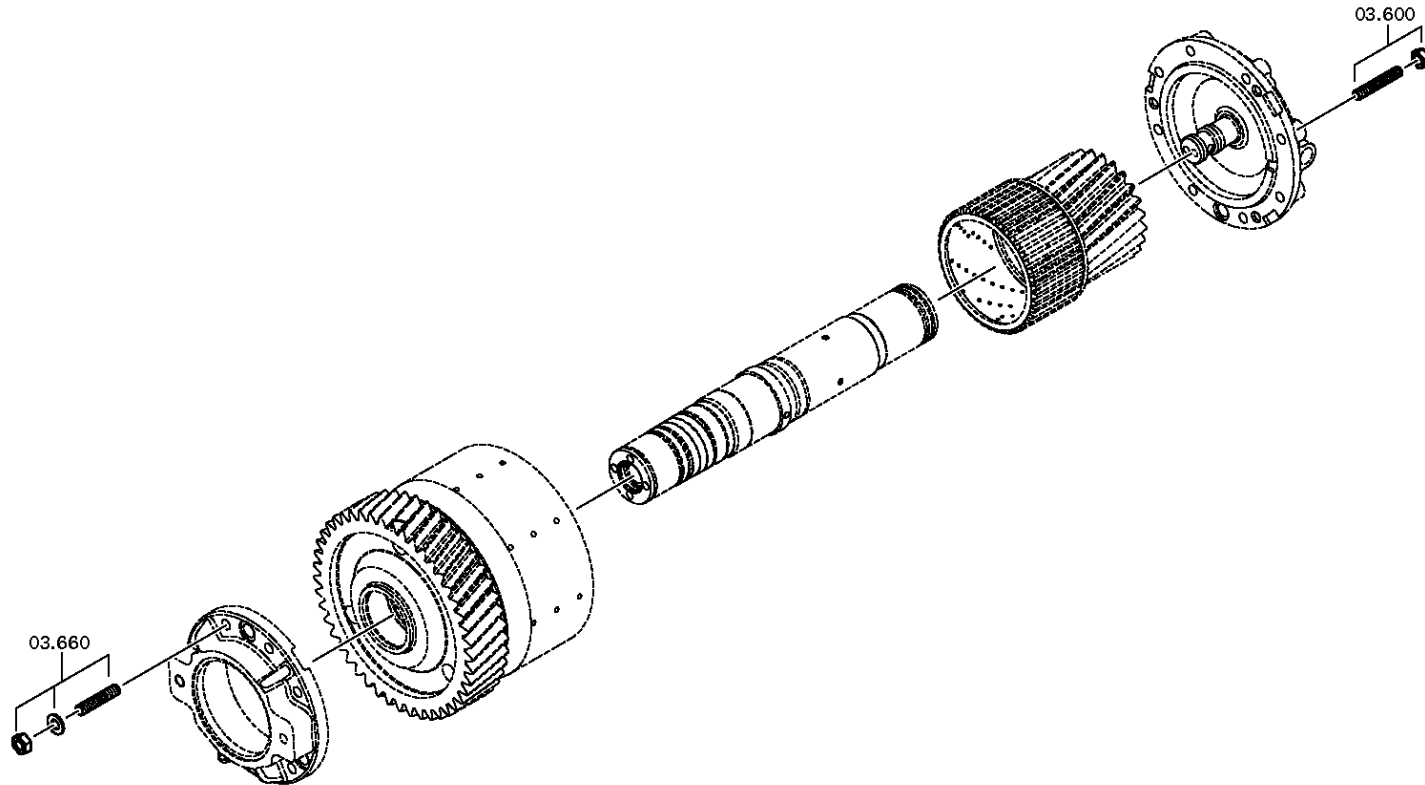
Material number: 3100.030.040

Picture: 134.03.80-1

INTERMEDIATE SHAFT



ZF 2250 /  
INTERMEDIATE SHAFT



# Picture

Page 1 from 3

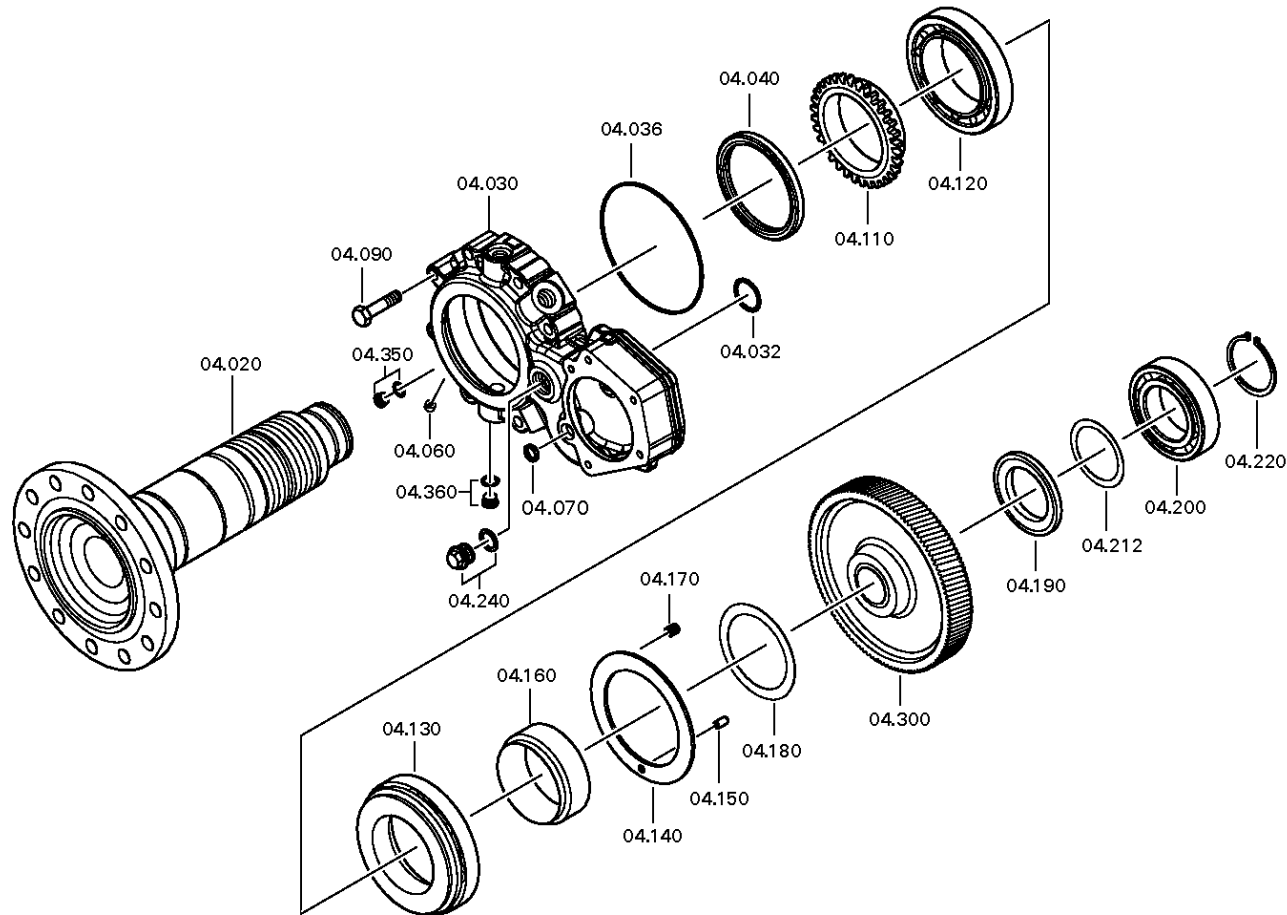
Material number: 3100.030.040

Picture: 134.04.08-1

OUTPUT SHAFT



ZF 2250 /  
OUTPUT SHAFT



# Picture

Page 2 from 3

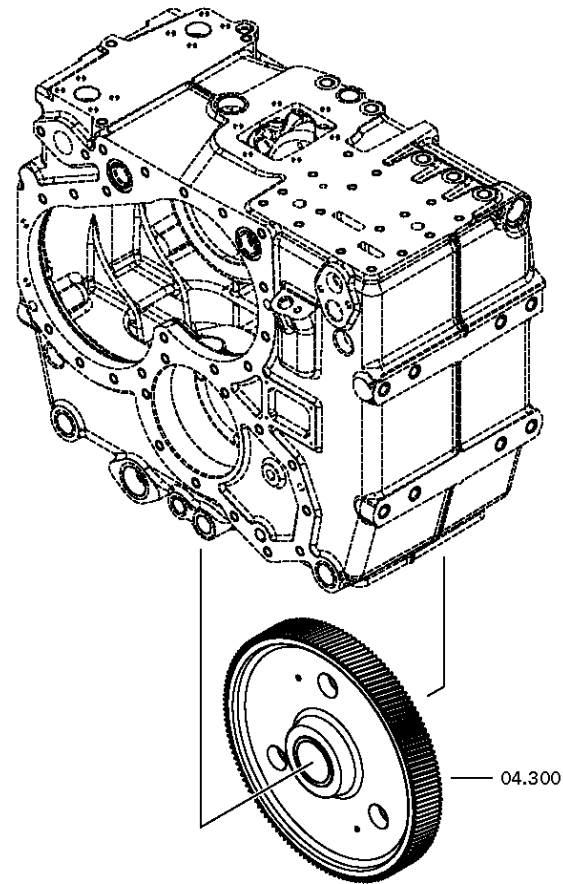
Material number: 3100.030.040

Picture: 134.004.053-1

OUTPUT SHAFT



ZF 2250 /  
OUTPUT SHAFT



# Picture

Page 3 from 3

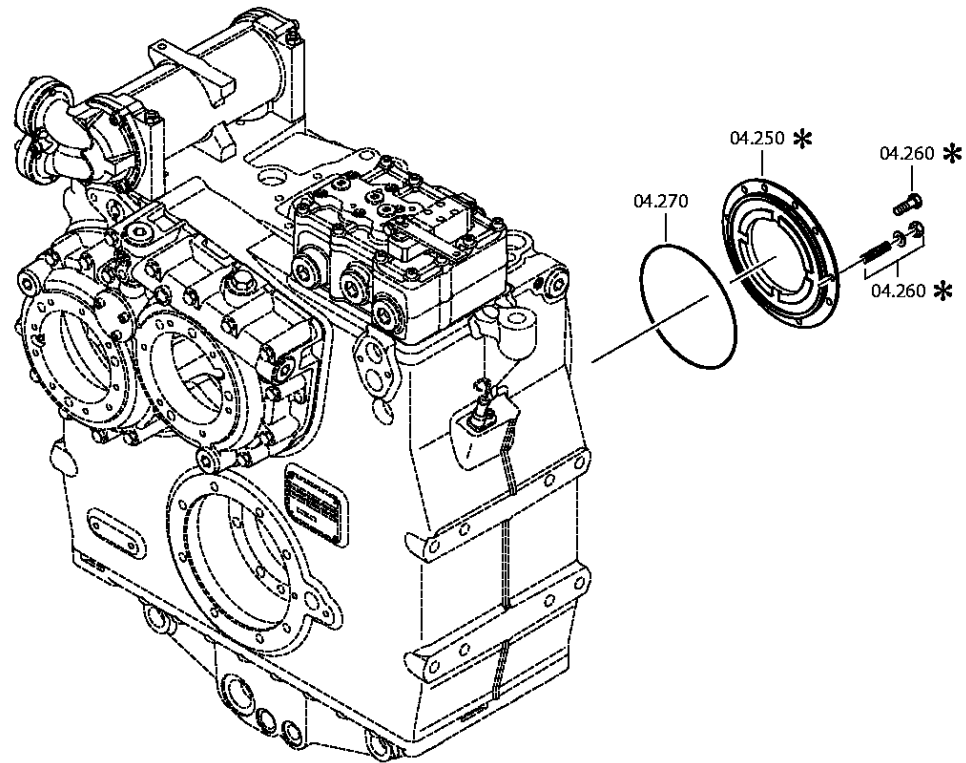
Material number: 3100.030.040

Picture: 134.04.80-1

OUTPUT SHAFT



ZF 2250 /  
OUTPUT SHAFT



ZFW 2300/2350

# Picture

Page 1 from 2

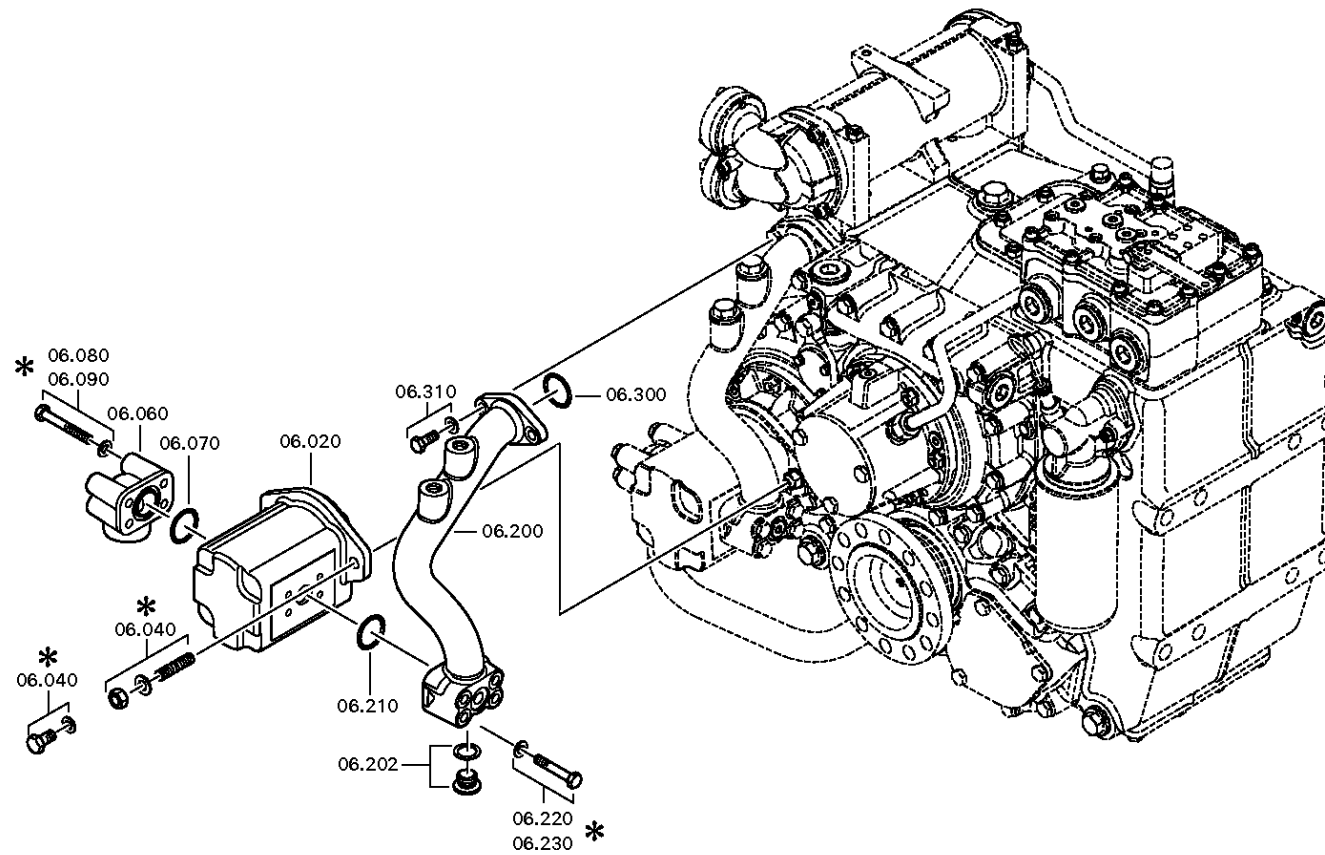
Material number: 3100.030.040

Picture: 134.06.01-1

PUMP



ZF 2250 /  
PUMP



# Picture

Page 2 from 2

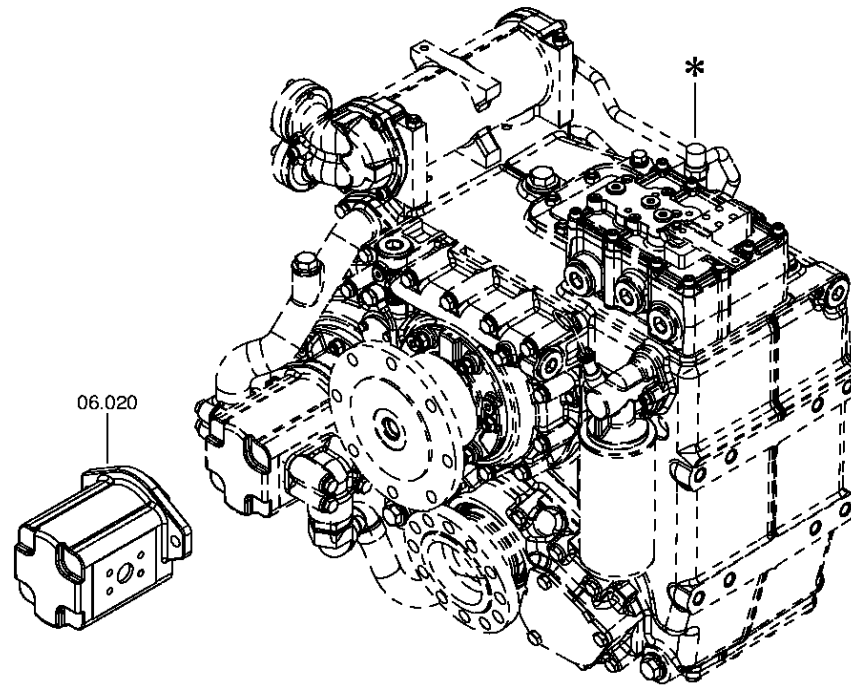
Material number: 3100.030.040

Picture: 134.06.40-1

PUMP



ZF 2250 /  
PUMP



# Picture

Page 1 from 4

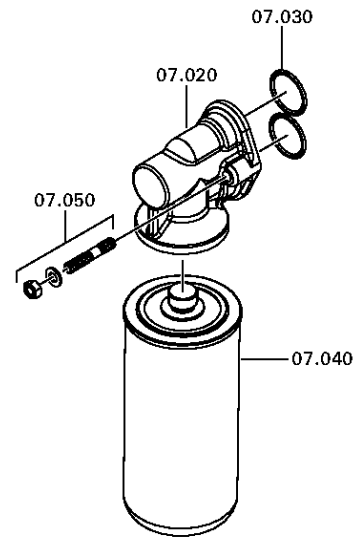
Material number: 3100.030.040

Picture: 134.07.40-1

PIPING



ZF 2250 /  
PIPING



# Picture

Page 2 from 4

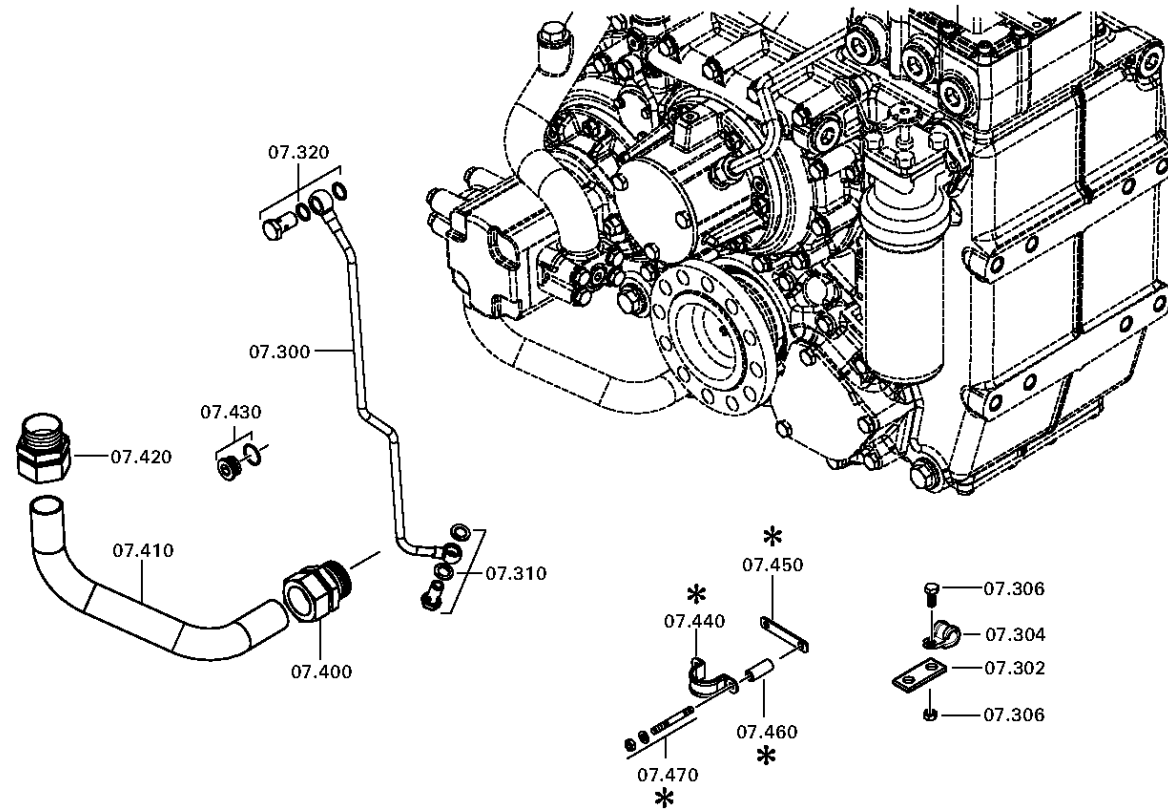
Material number: 3100.030.040

Picture: 134.07.08-1

PIPING



ZF 2250 /  
PIPING



# Picture

Page 3 from 4

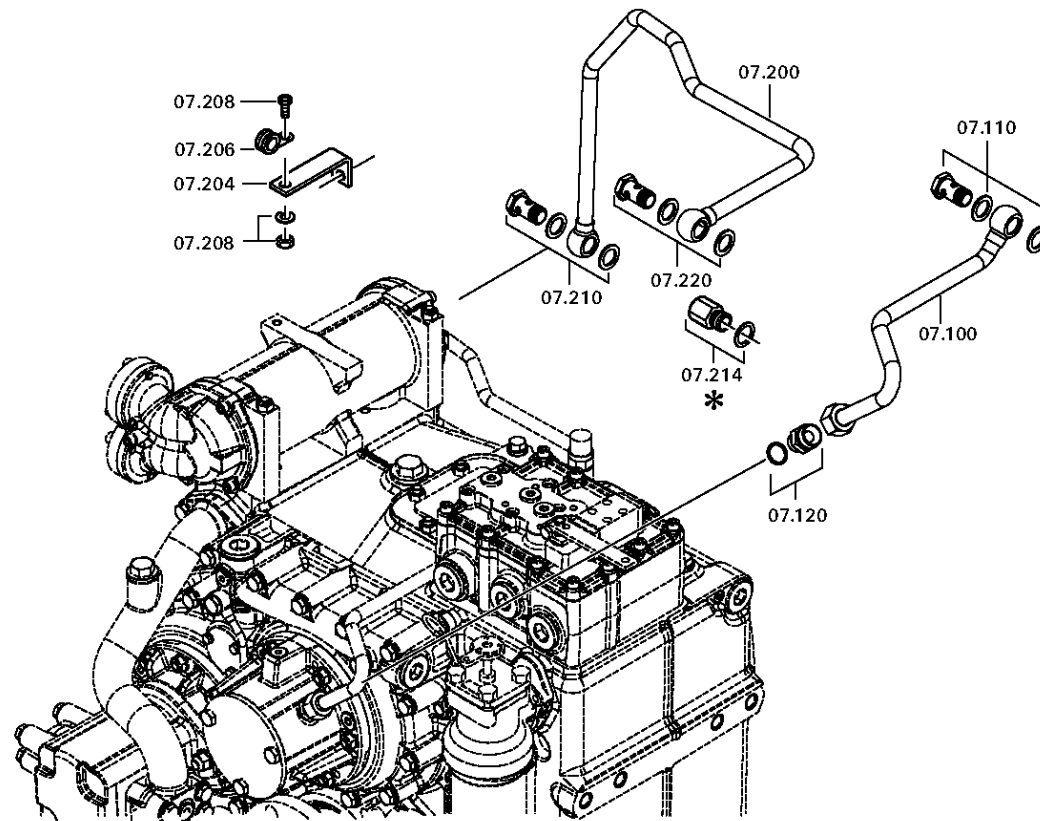
Material number: 3100.030.040

Picture: 134.07.08-2

PIPING



ZF 2250 /  
PIPING



# Picture

Page 4 from 4

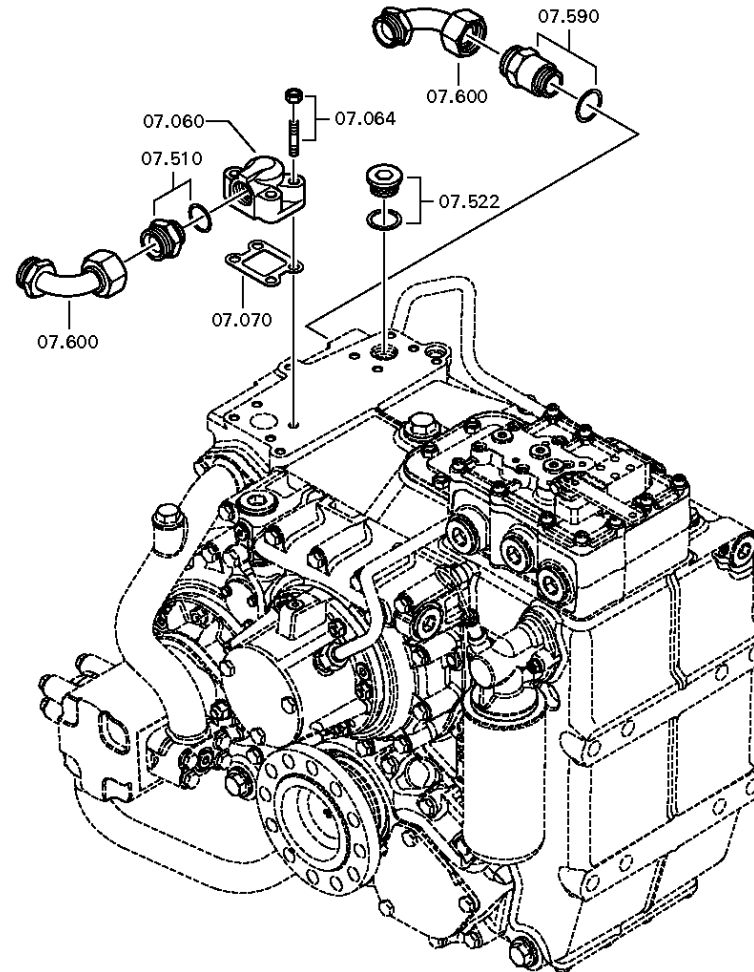
Material number: 3100.030.040

Picture: 134.07.10-1

PIPING



ZF 2250 /  
PIPING



# Picture

Page 1 from 2

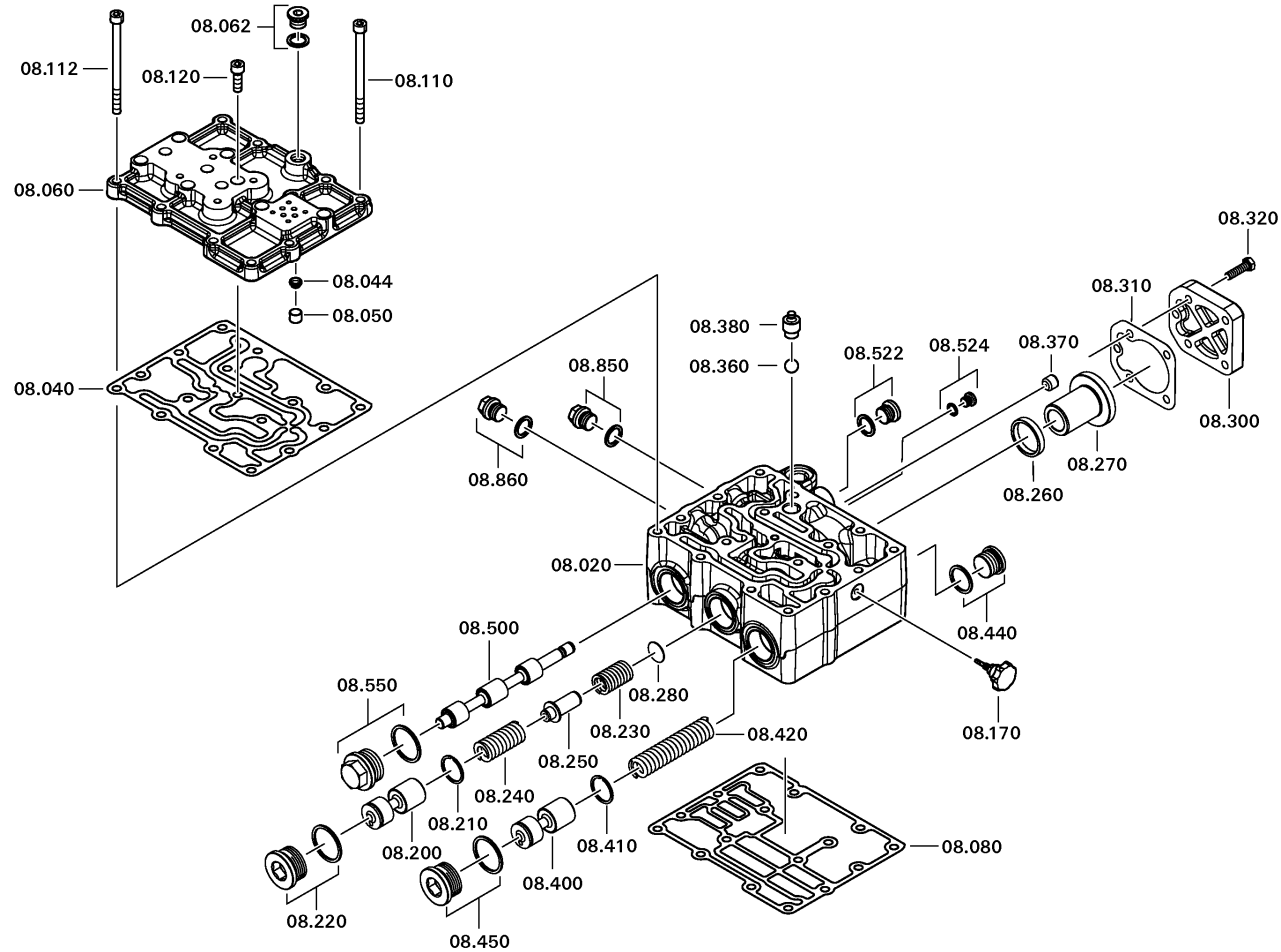
Material number: 3100.030.040

Picture: 134.008.006-1

CONTROL UNIT



ZF 2250 /  
CONTROL UNIT



# Picture

Page 2 from 2

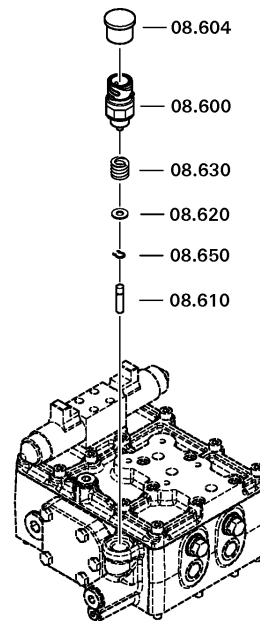
Material number: 3100.030.040

Picture: 134.008.020-1

CONTROL UNIT



ZF 2250 /  
CONTROL UNIT



# Picture

Page 1 from 2

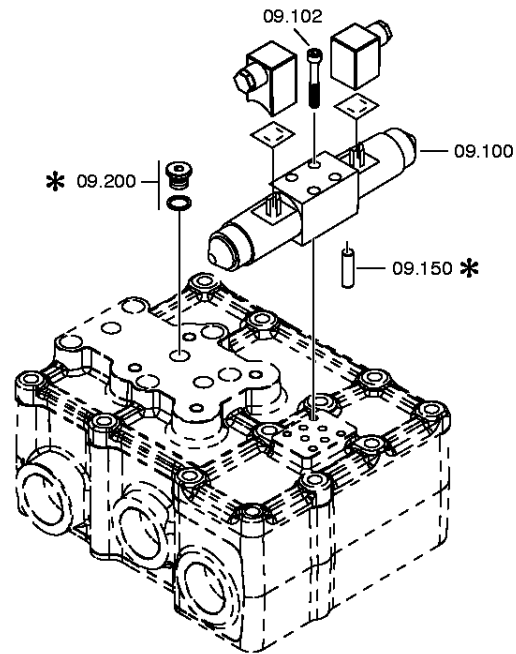
Material number: 3100.030.040

Picture: 134.09.01-1

ACTUATION



ZF 2250 /  
ACTUATION



# Picture

Page 2 from 2

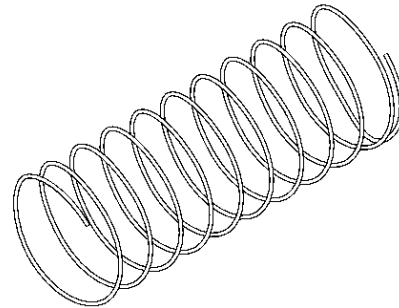
Material number: 3100.030.040

Picture: 154.09.09-1

ACTUATION



ZF 2250 /  
ACTUATION



# Picture

Page 1 from 1

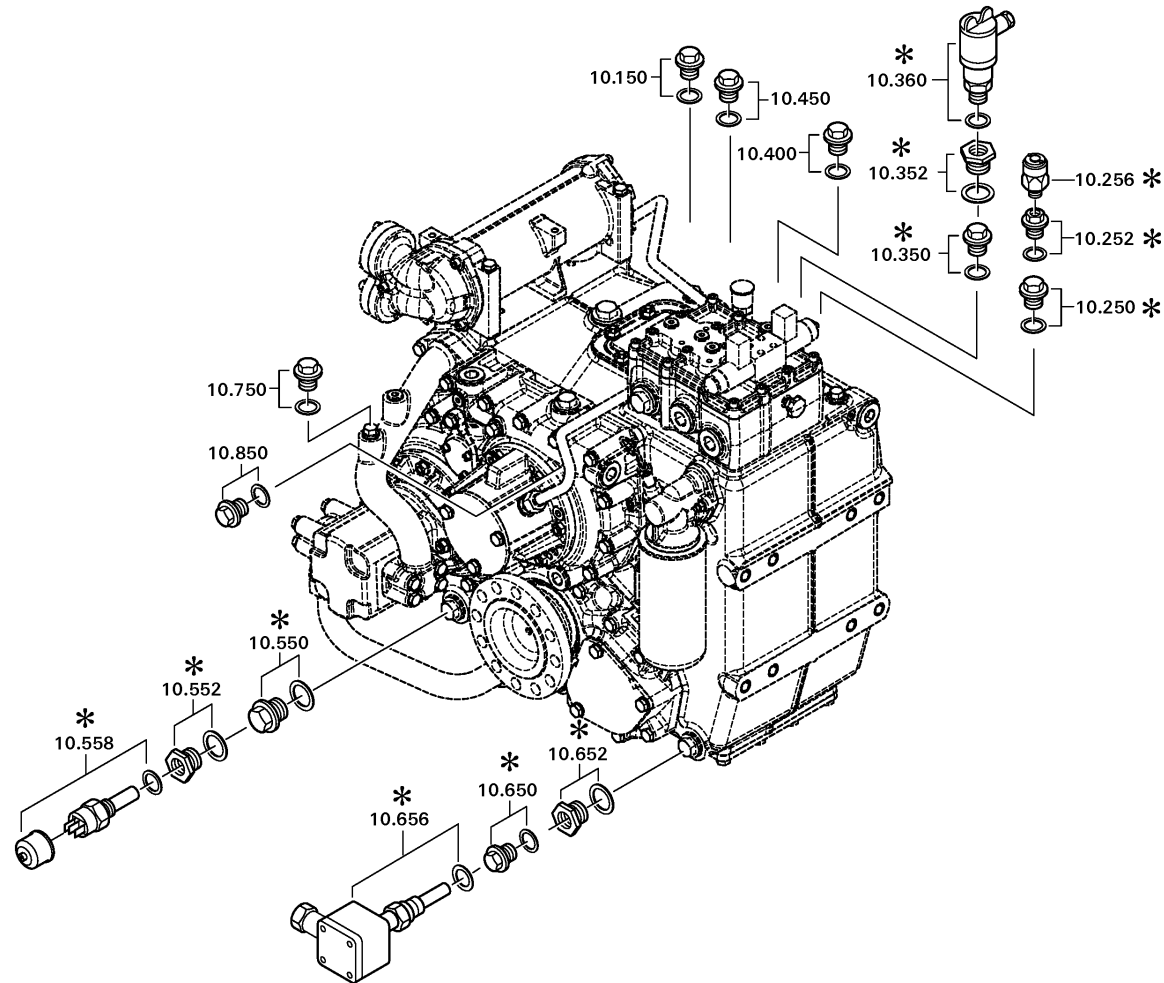
Material number: 3100.030.040

Picture: 134.010.001-1

Material-assembly-group-no: 3100.110.001



ZF 2250 /  
MONITORING



# Picture

Page 1 from 3

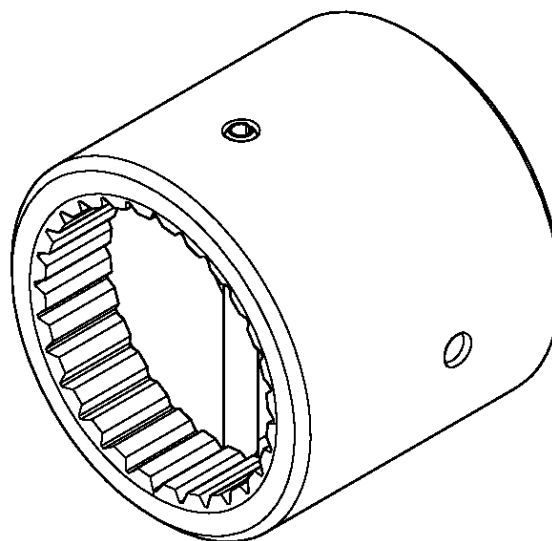
Material number: 3100.030.040

Picture: 211.15.03-1

SLEEVE



ZF 2250 /  
SLEEVE



# Picture

Page 2 from 3

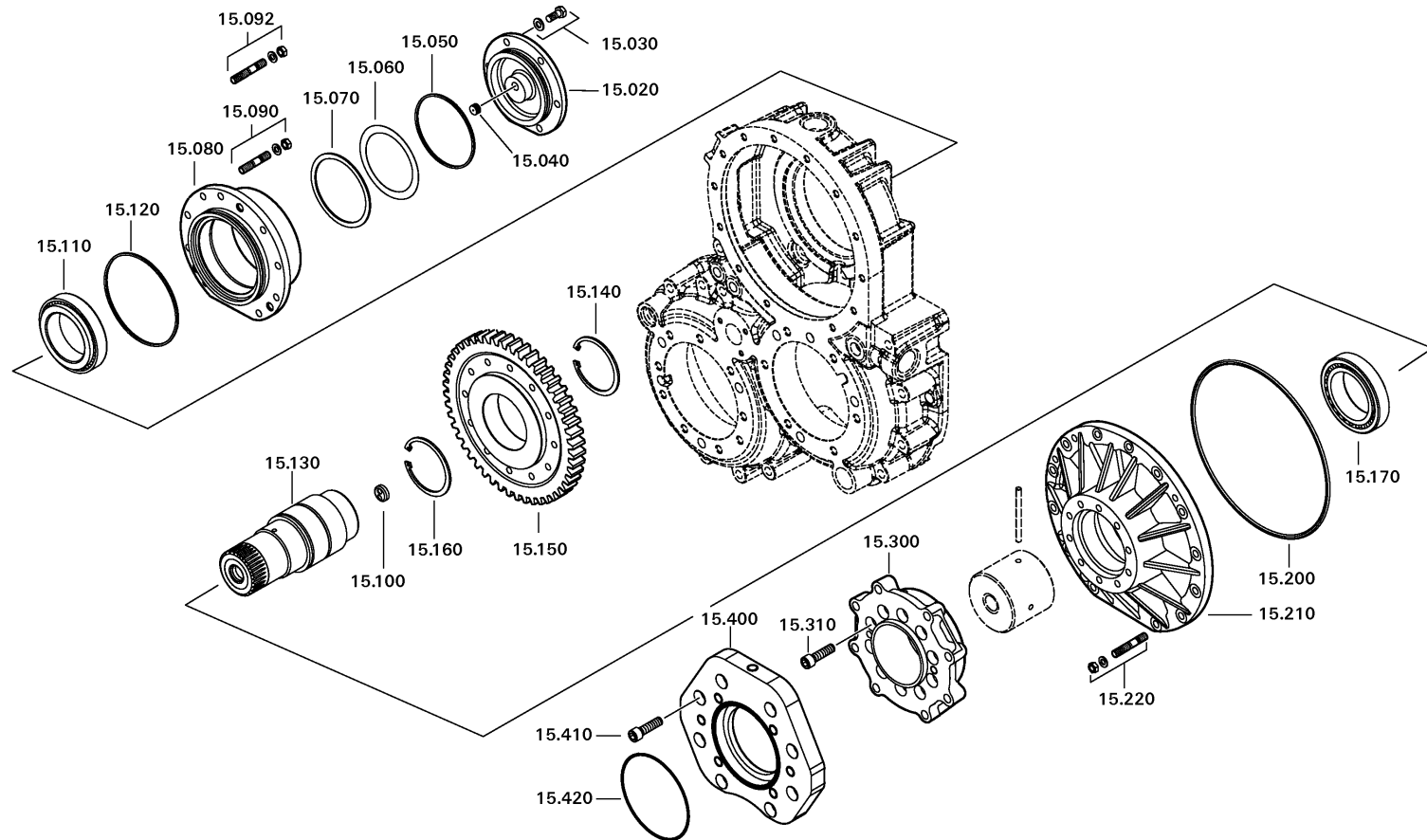
Material number: 3100.030.040

Picture: 134.015.002-1

SLEEVE



ZF 2250 /  
SLEEVE



# Picture

Page 3 from 3

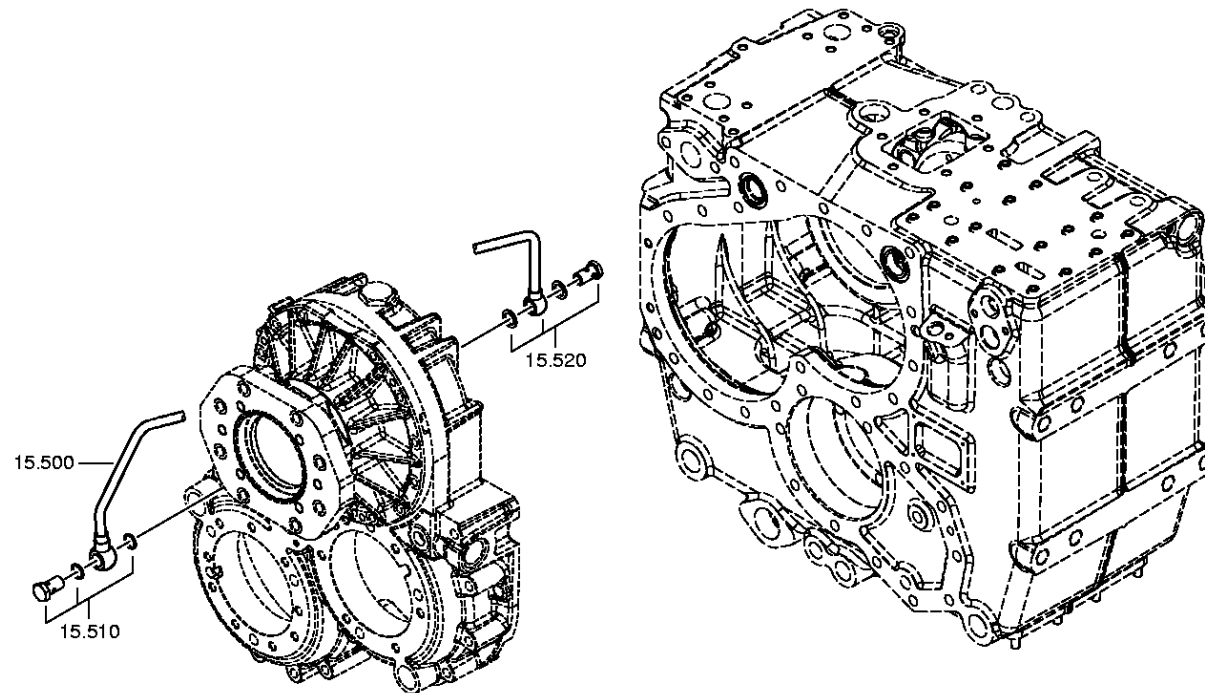
Material number: 3100.030.040

Picture: 134.15.40-1

SLEEVE



ZF 2250 /  
SLEEVE



# Picture

Page 1 from 2

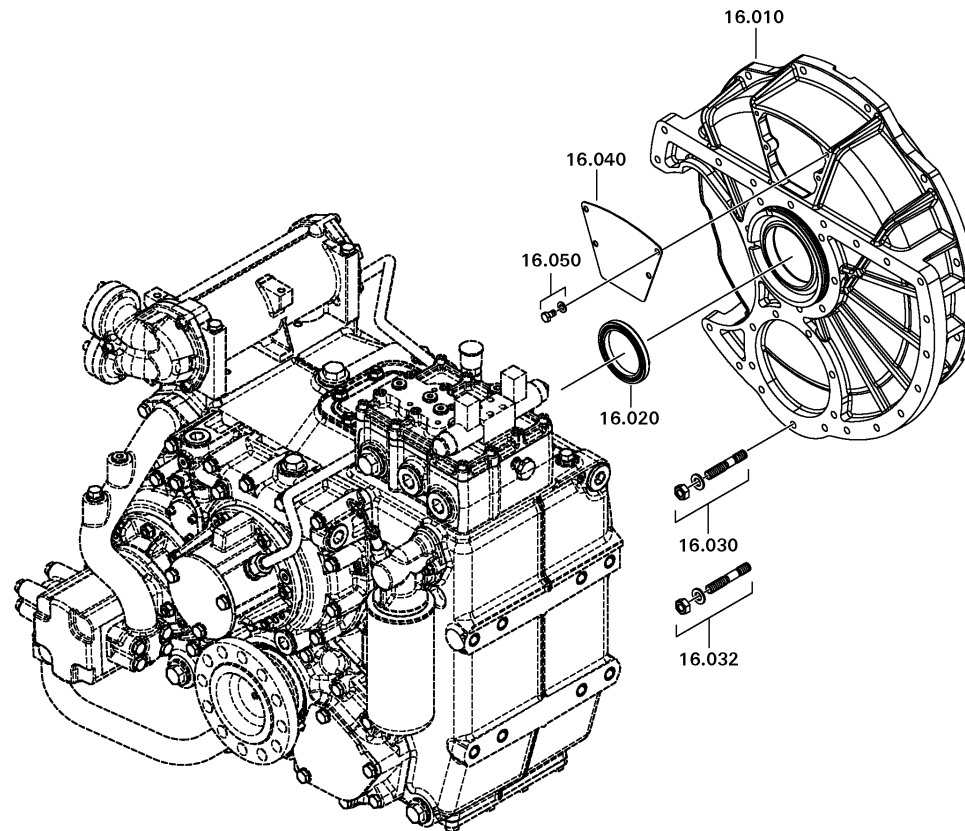
Material number: 3100.030.040

Picture: 134.016.001-1

ENGINE CONNECTION



ZF 2250 /  
ENGINE CONNECTION



# Picture

Page 2 from 2

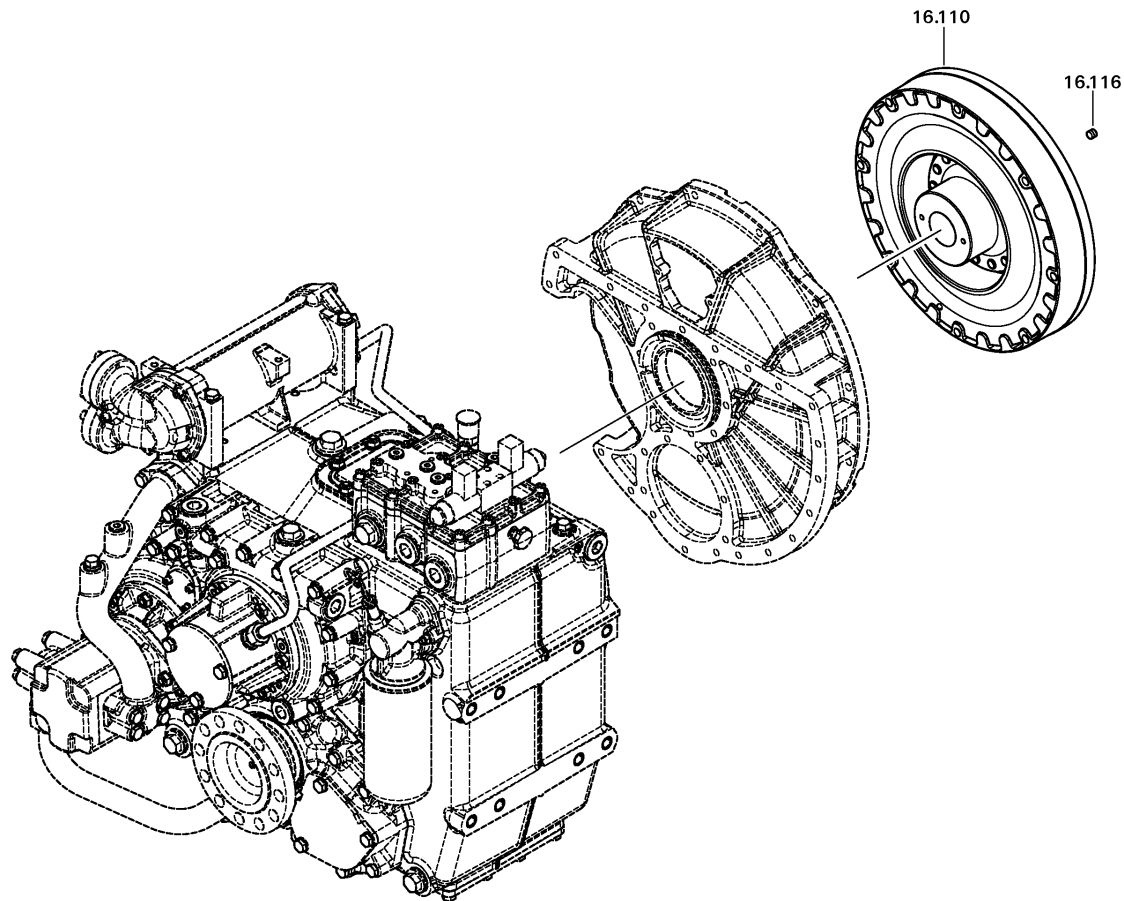
Material number: 3100.030.040

Picture: 134.016.050-1

ENGINE CONNECTION



ZF 2250 /  
ENGINE CONNECTION



# Picture

Page 1 from 2

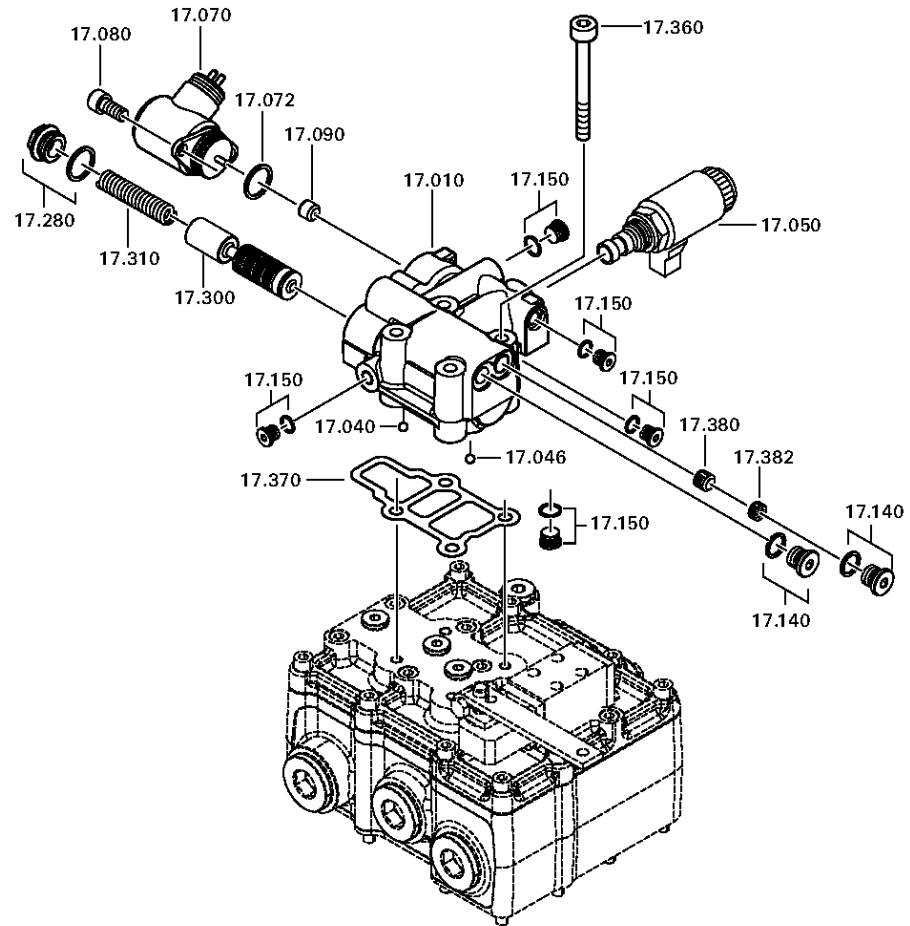
Material number: 3100.030.040

Picture: 134.17.01-1

TROLLING DEVICE



ZF 2250 /  
TROLLING DEVICE



# Picture

Page 2 from 2

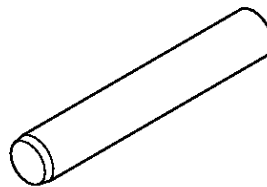
Material number: 3100.030.040

Picture: 154.17.81-1

TROLLING DEVICE



ZF 2250 /  
TROLLING DEVICE



# Picture

Page 1 from 1

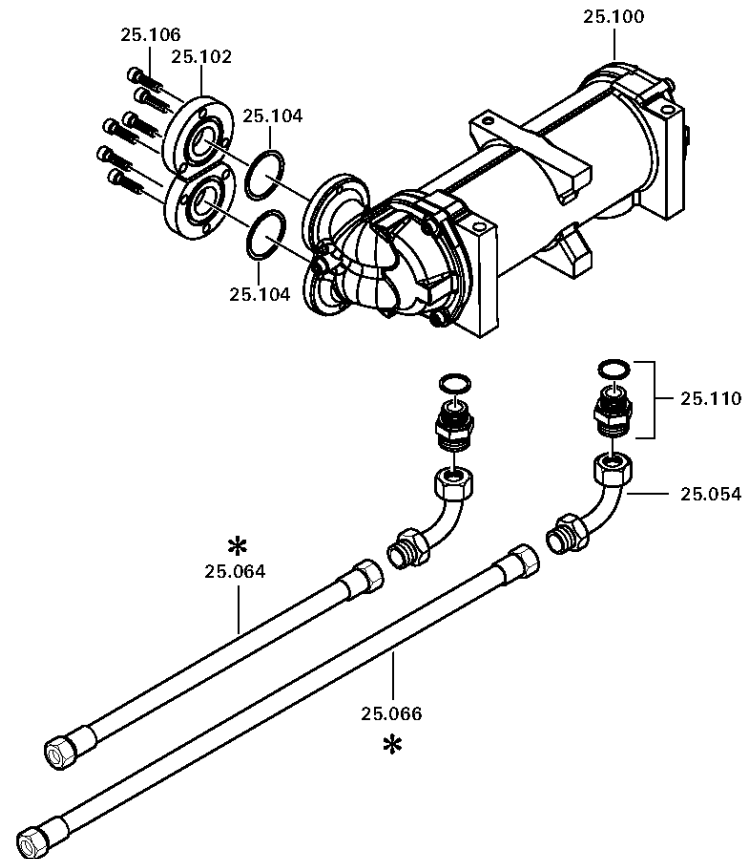
Material number: 3100.030.040

Picture: 134.25.04-1

Material-assembly-group-no: 3100.125.019



ZF 2250 /  
PIPING



# Picture

Page 1 from 1

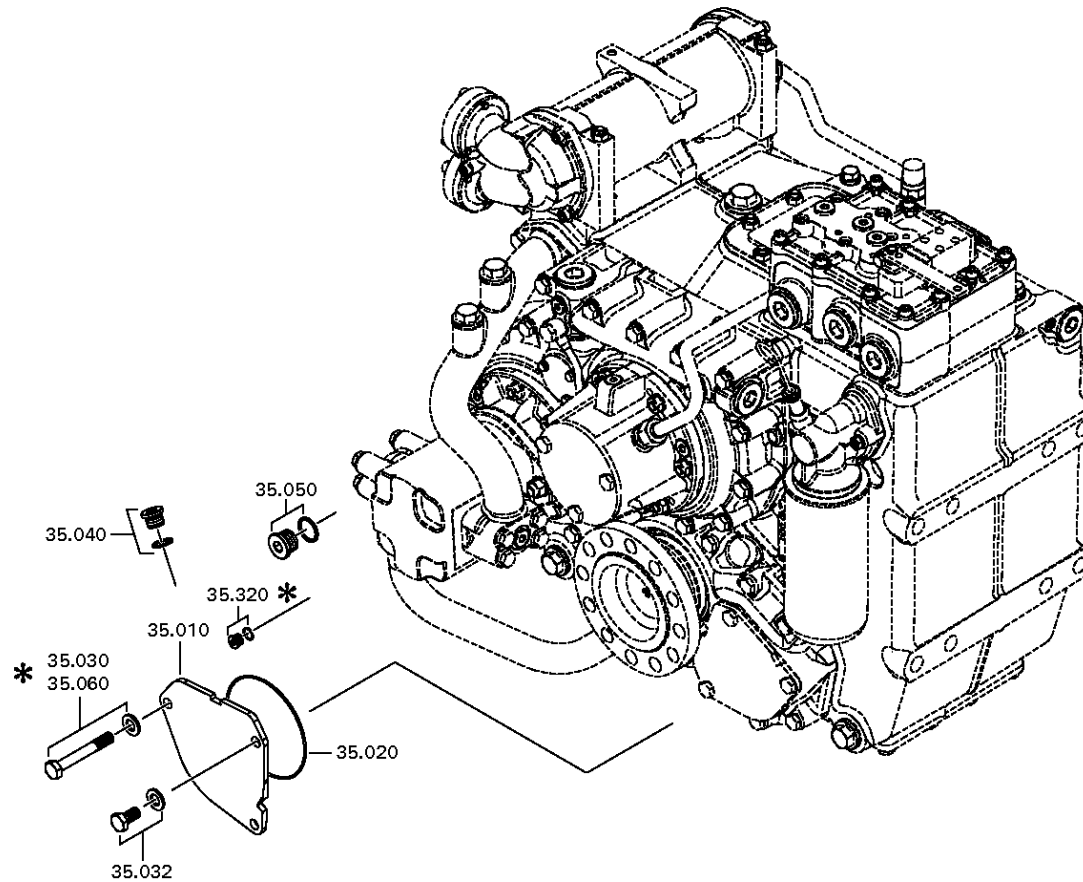
Material number: 3100.030.040

Picture: 134.35.01-1

Material-assembly-group-no: 3100.135.007



ZF 2250 /  
TRAILING PUMP



# Picture

Page 1 from 1

Material number: 3100.030.040

Picture: 134.040.002-1

Material-assembly-group-no: 3100.140.007



ZF 2250 /  
EMERSON MAREX

