



Spare Parts Catalog

9HP48QX

()

Material number: 1094.020.013

Current date: 08.04.2026

ZF Friedrichshafen AG
Hauptverwaltung
80038 Friedrichshafen
Deutschland

Telefon: +49 7541 77-0

Telefax: +49 7541 77-908000

www.zf.com

zuständiges Werk:
Saarbrücken

Picture

Page 1 from 2

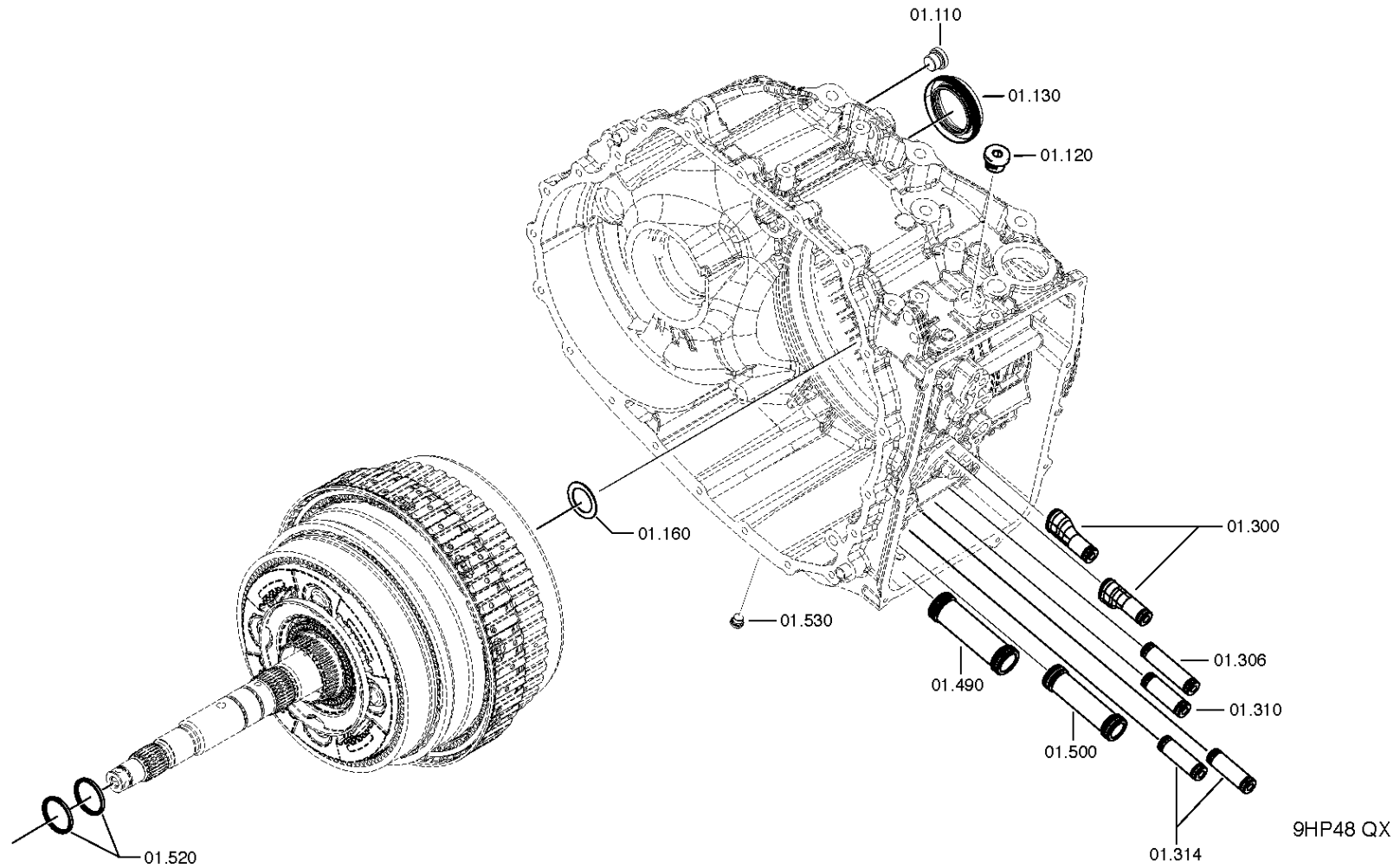
Material number: 1094.020.013

Picture: 220.01.41-1

Material-assembly-group-no: 1094.101.837



9HP48QX / ()
TRANSMISSION HOUSING



Picture

Page 2 from 2

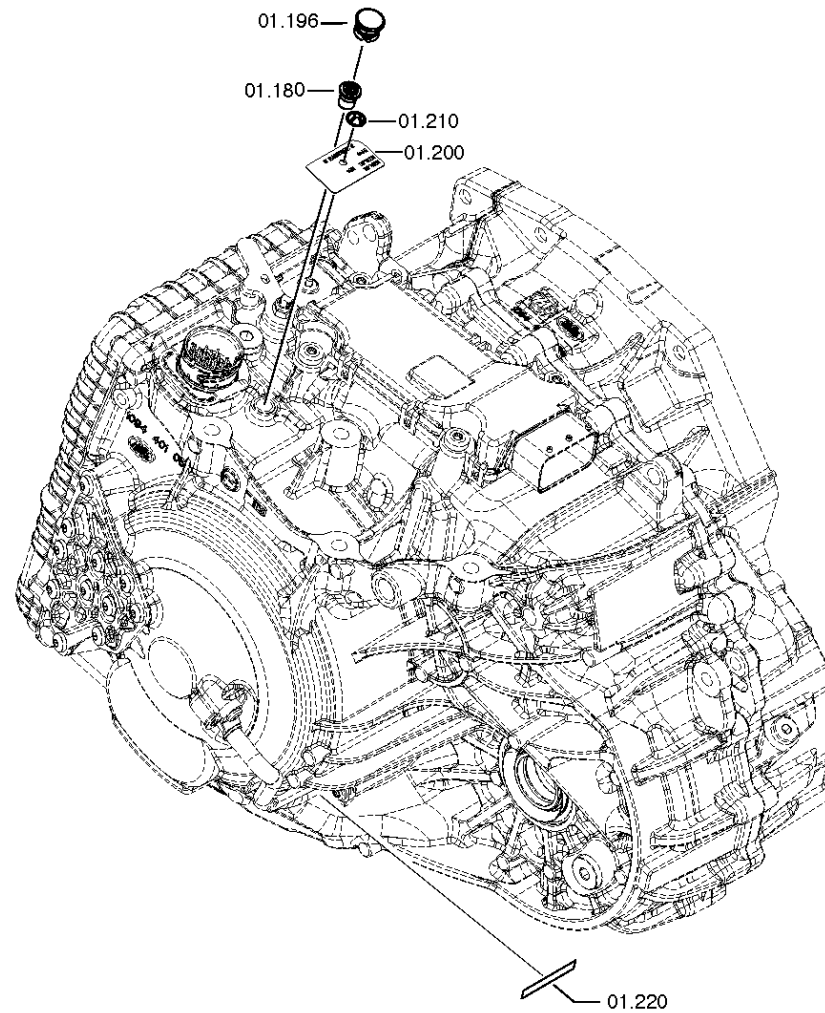
Material number: 1094.020.013

Picture: 220.01.61-1

Material-assembly-group-no: 1094.101.837



9HP48QX / ()
TRANSMISSION HOUSING



9HP48

Picture

Page 1 from 1

Material number: 1094.020.013

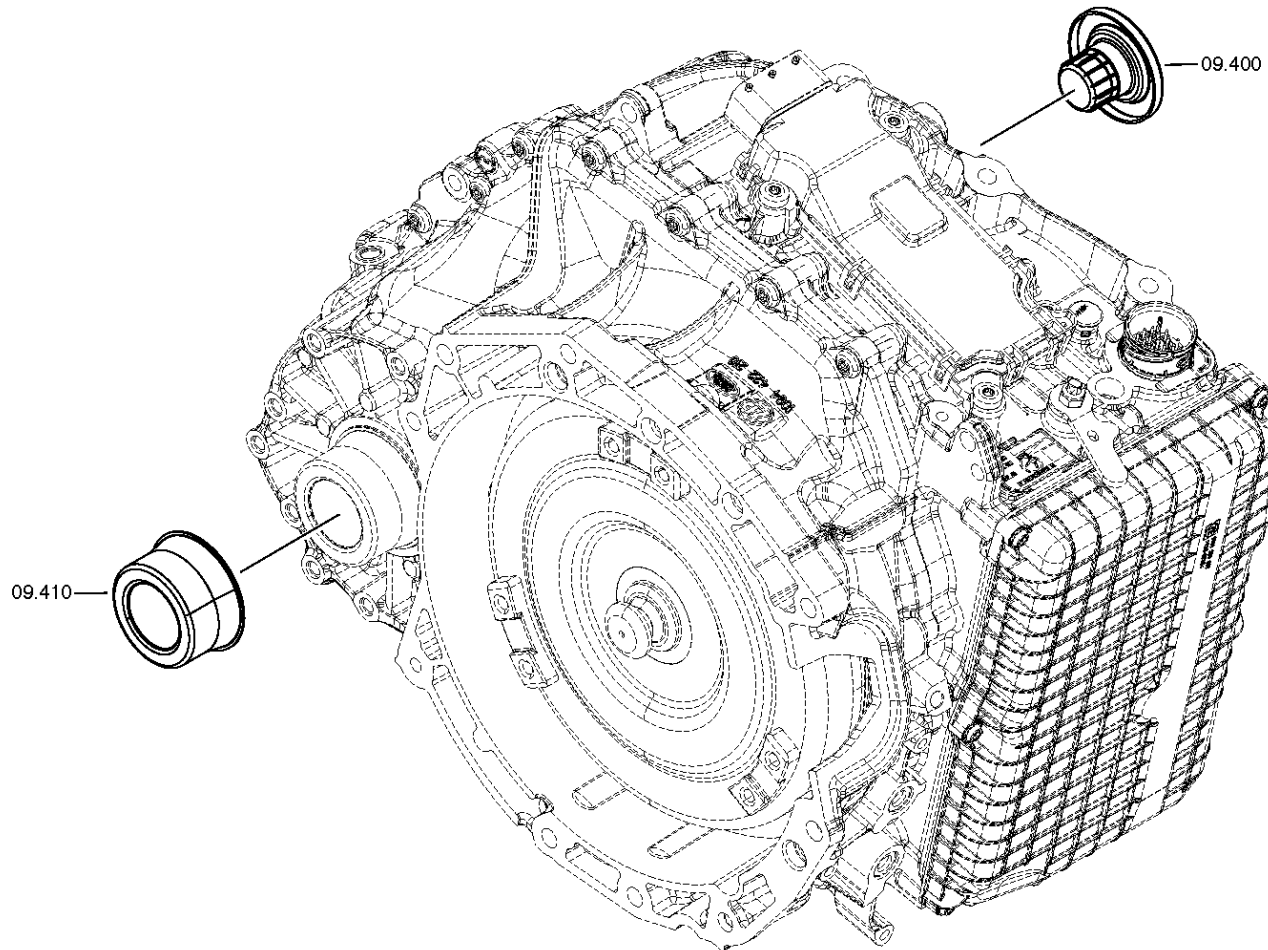
Picture: 220.09.11-1

Material-assembly-group-no: 1094.109.736



9HP48QX / ()

SPUR GEAR DRIVE+DIFFERENTIAL



9HP48

Picture

Page 1 from 1

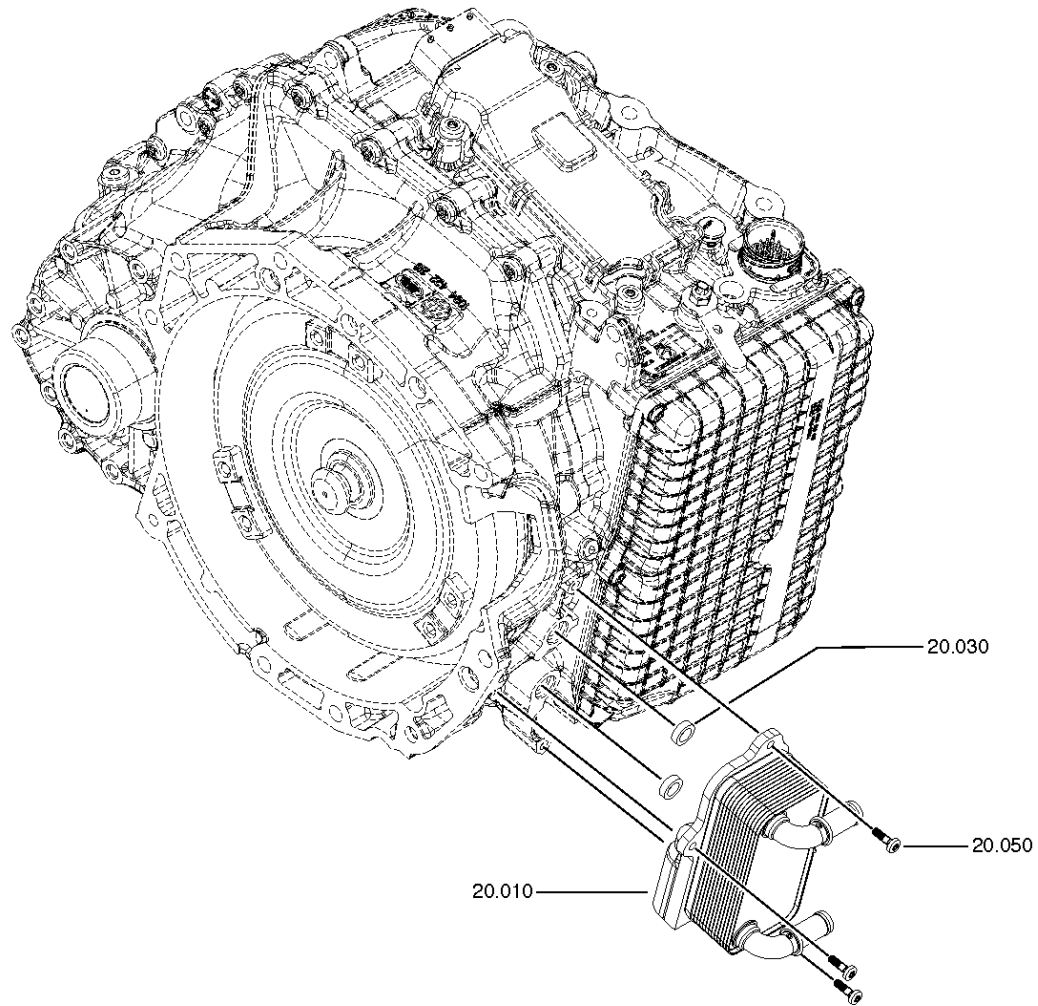
Material number: 1094.020.013

Picture: 220.20.11-1

Material-assembly-group-no: 1094.120.813



9HP48QX / ()
OIL COOLER



9 HP48

Picture

Page 1 from 3

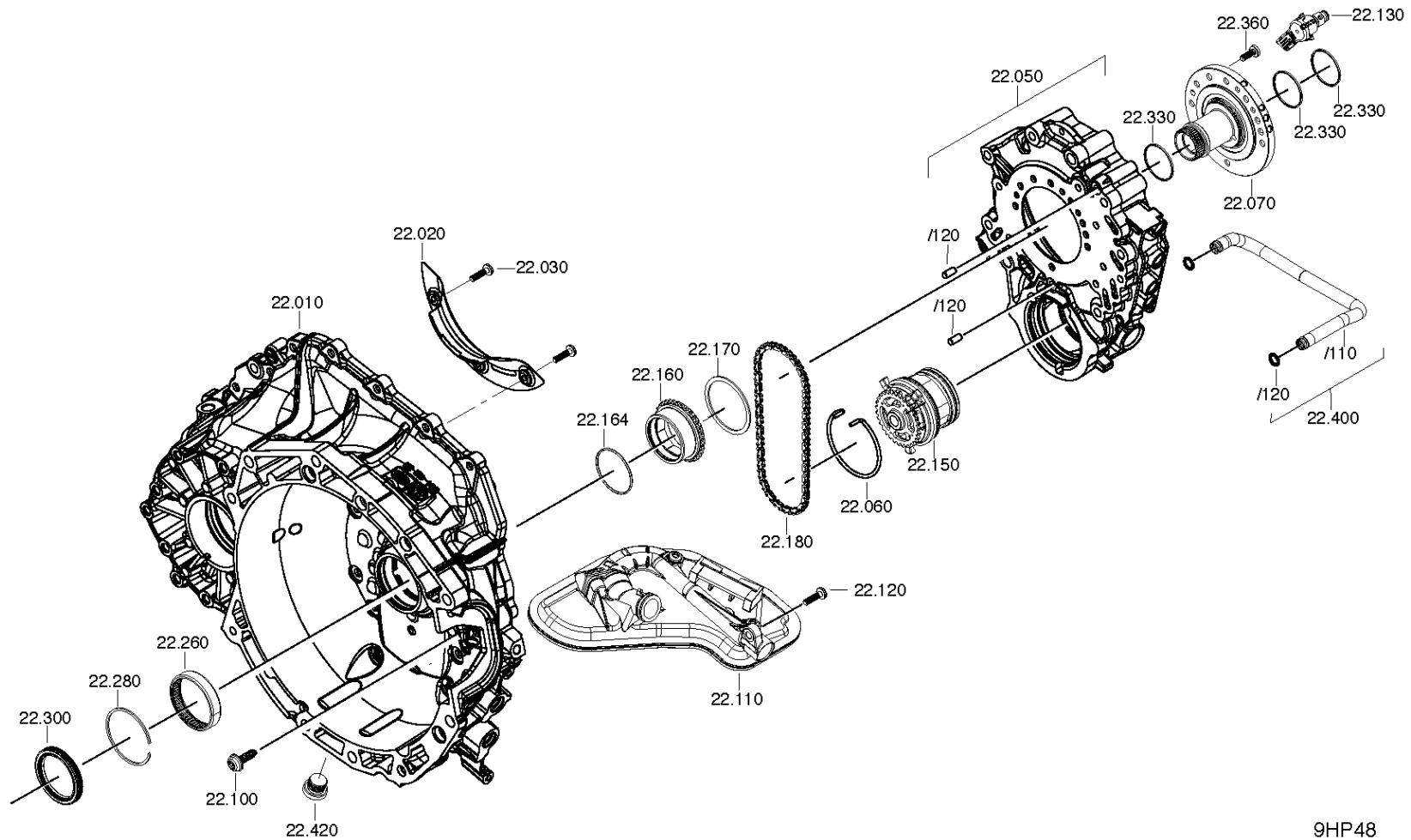
Material number: 1094.020.013

Picture: 220.22.61-1

Material-assembly-group-no: 1094.122.080



9HP48QX / ()
BELL HOUSING



9HP48

Picture

Page 2 from 3

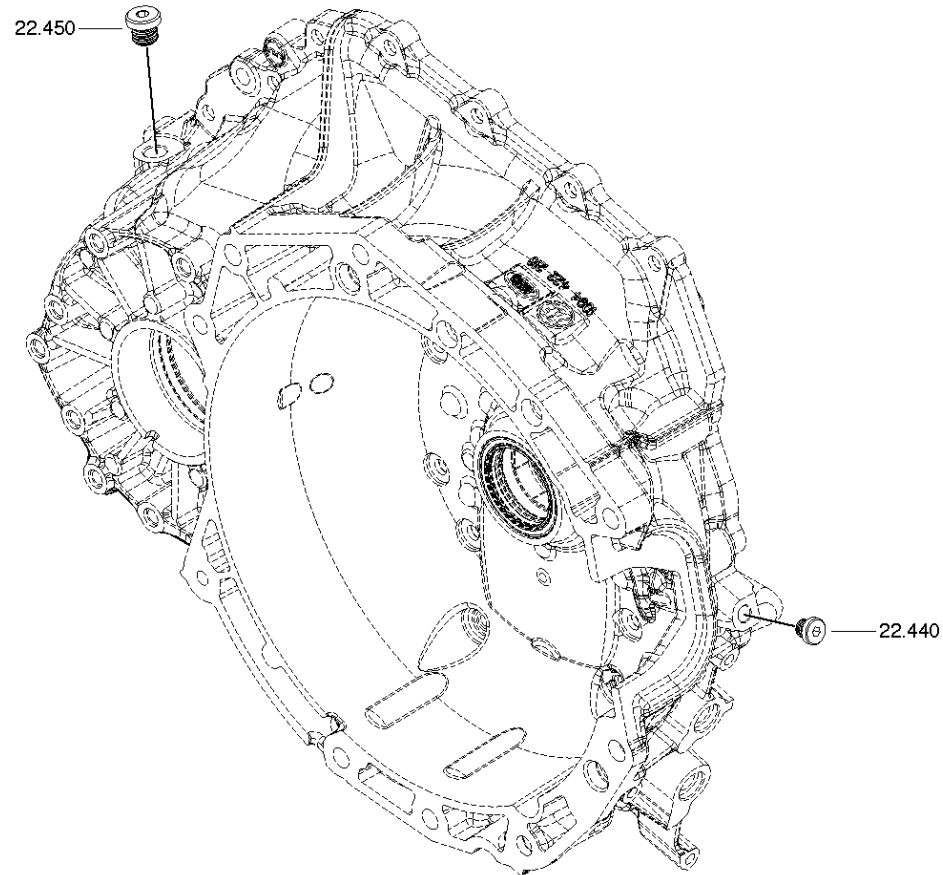
Material number: 1094.020.013

Picture: 220.22.31-1

Material-assembly-group-no: 1094.122.080



9HP48QX / ()
BELL HOUSING



9HP48

Picture

Page 3 from 3

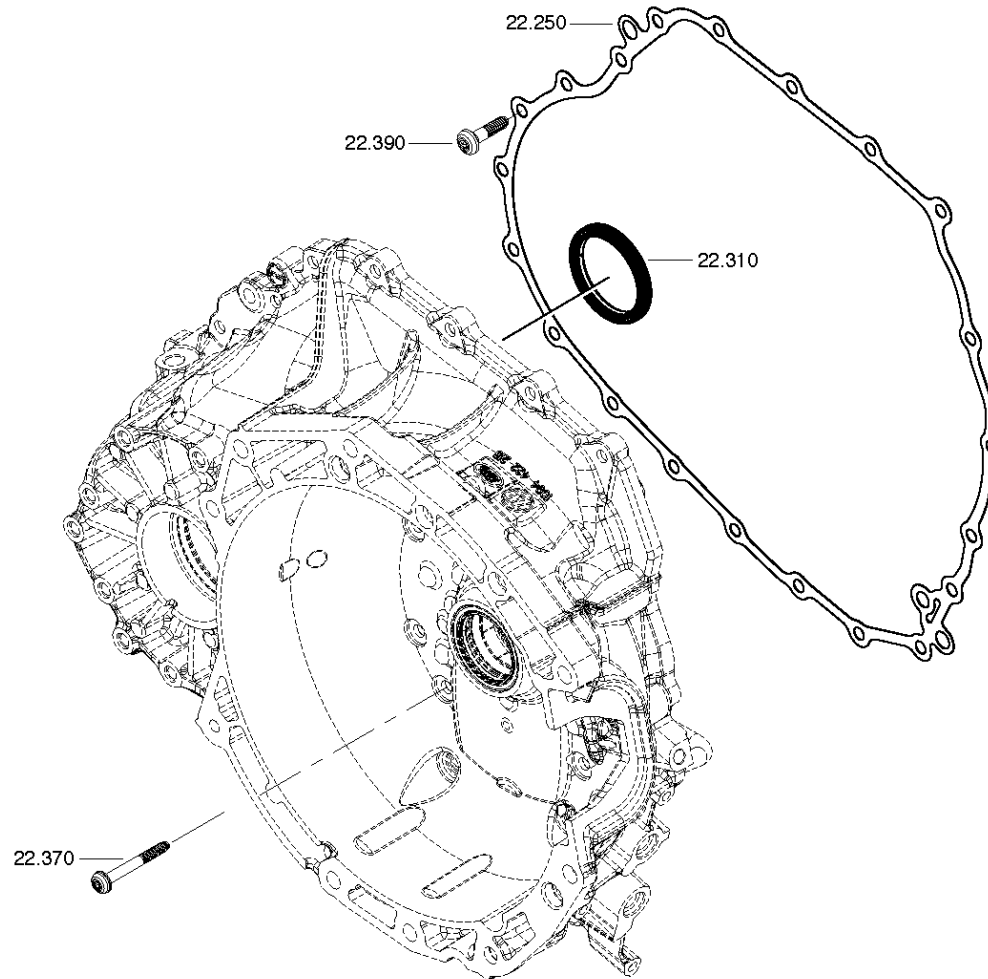
Material number: 1094.020.013

Picture: 220.22.41-1

Material-assembly-group-no: 1094.122.080



9HP48QX / ()
BELL HOUSING



9HP48

Picture

Page 1 from 1

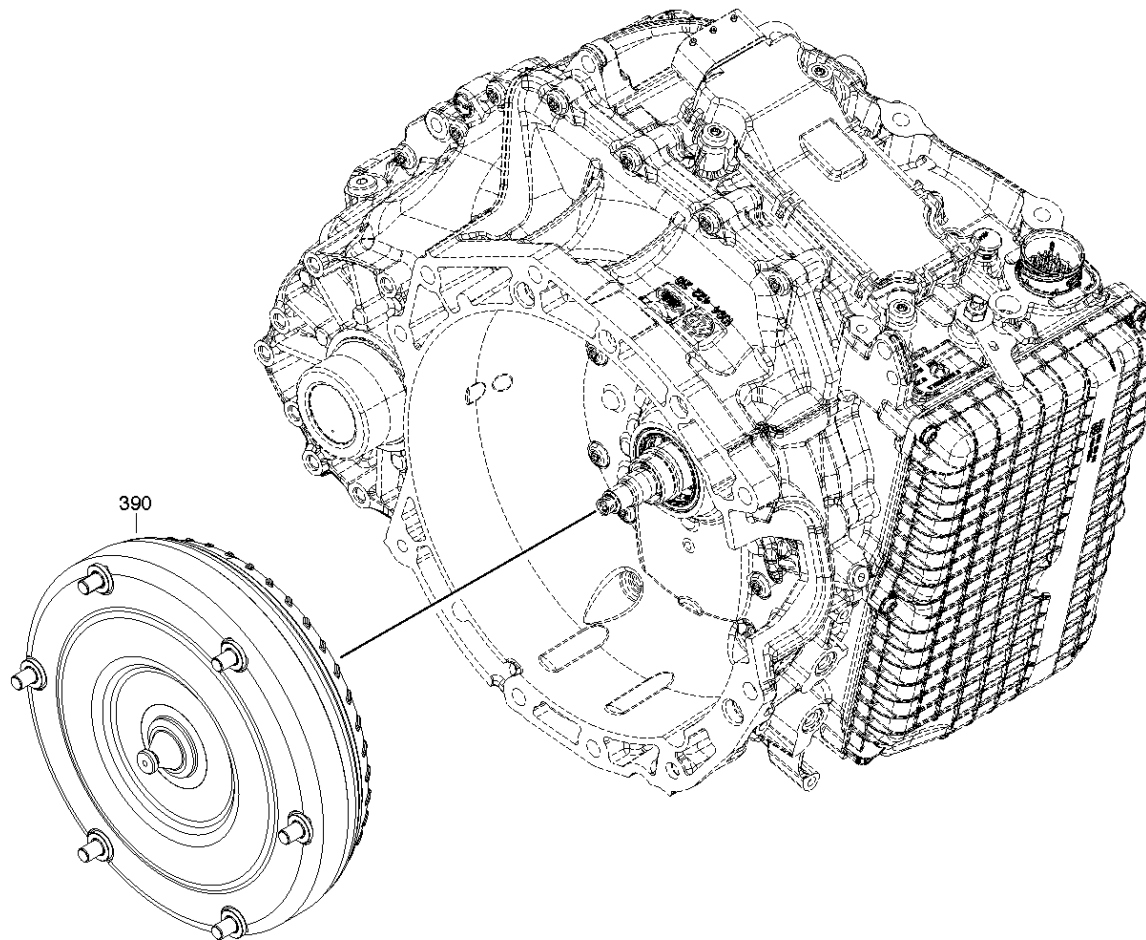
Material number: 1094.020.013

Picture: 220.23.81-1

Material-assembly-group-no: 1094.322.307



9HP48QX / ()
CONVERTER



9HP48

Picture

Page 1 from 1

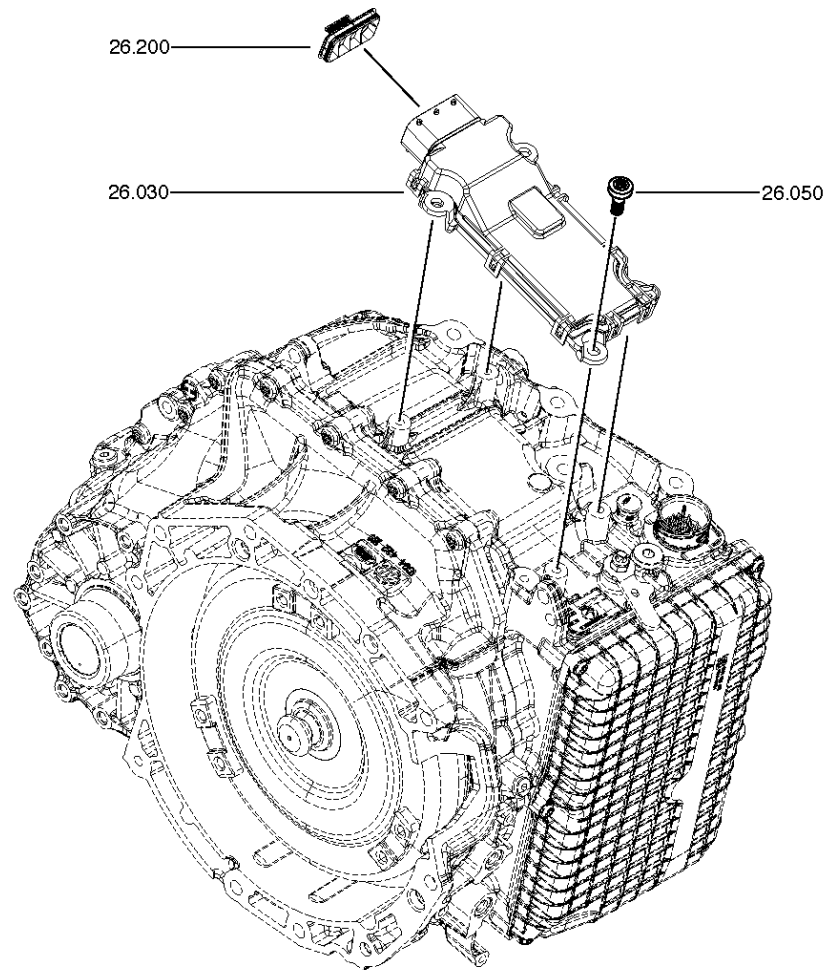
Material number: 1094.020.013

Picture: 220.26.11-1

Material-assembly-group-no: 1094.126.903



9HP48QX / ()
CONTROL UNIT



9HP48

Picture

Page 1 from 1

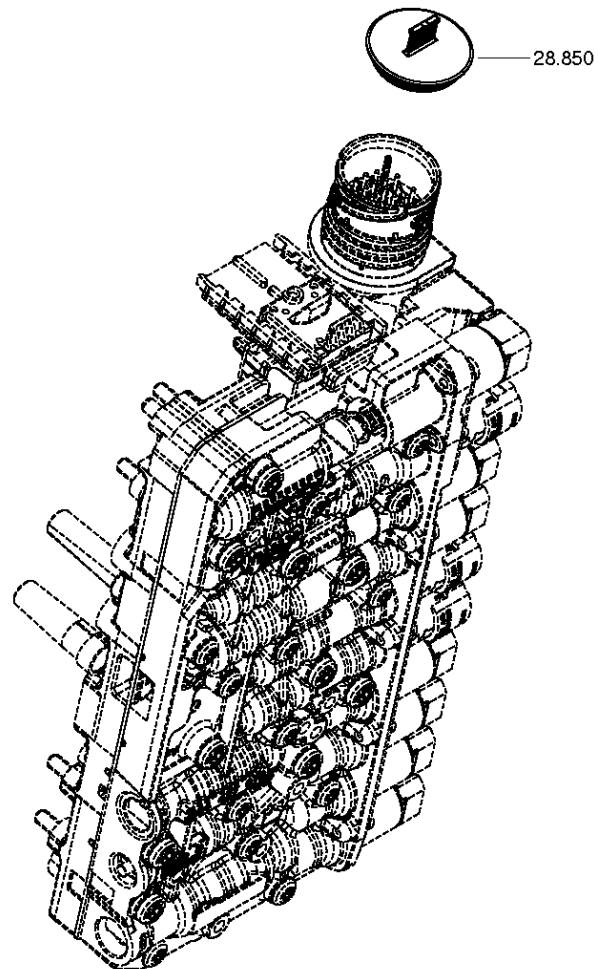
Material number: 1094.020.013

Picture: 220.28.31-1

Material-assembly-group-no: 1094.128.852



9HP48QX / ()
CONTROL UNIT



9HP48

Picture

Page 1 from 2

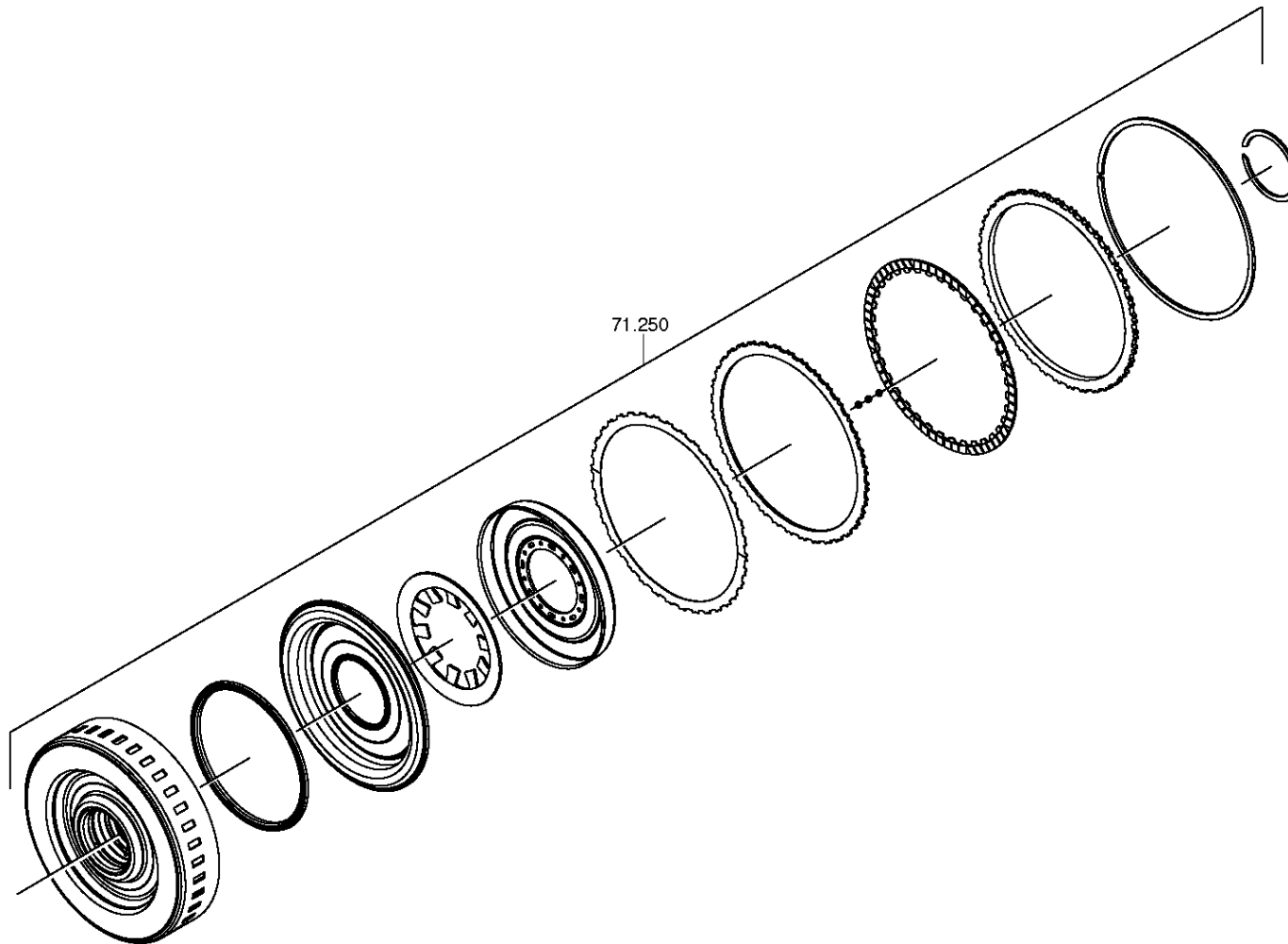
Material number: 1094.020.013

Picture: 220.71.01-1

Material-assembly-group-no: 1094.271.065



9HP48QX / ()
COUPLING



9HP48

Picture

Page 2 from 2

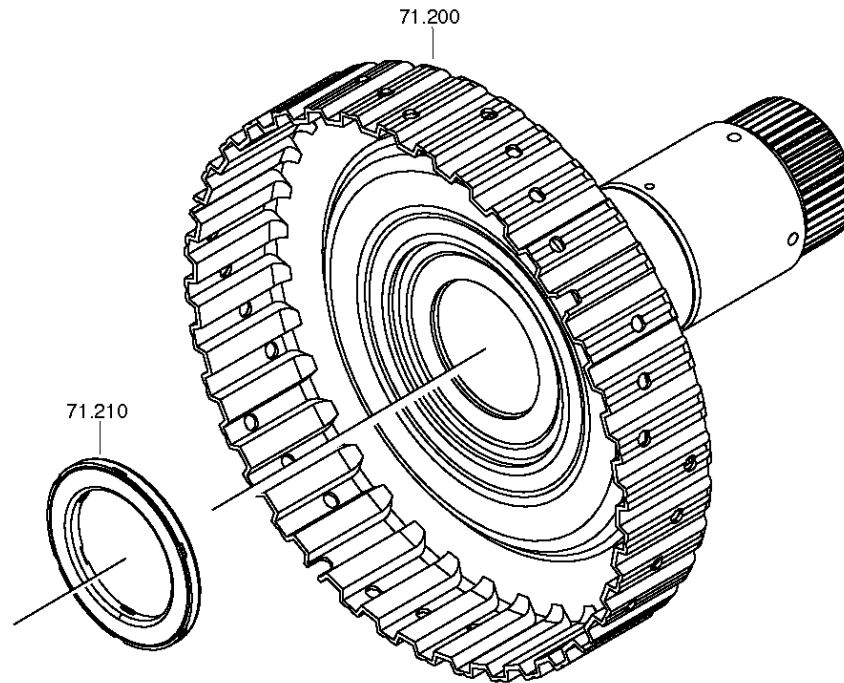
Material number: 1094.020.013

Picture: 220.71.11-1

Material-assembly-group-no: 1094.271.065



9HP48QX / ()
COUPLING



9HP48

Picture

Page 1 from 1

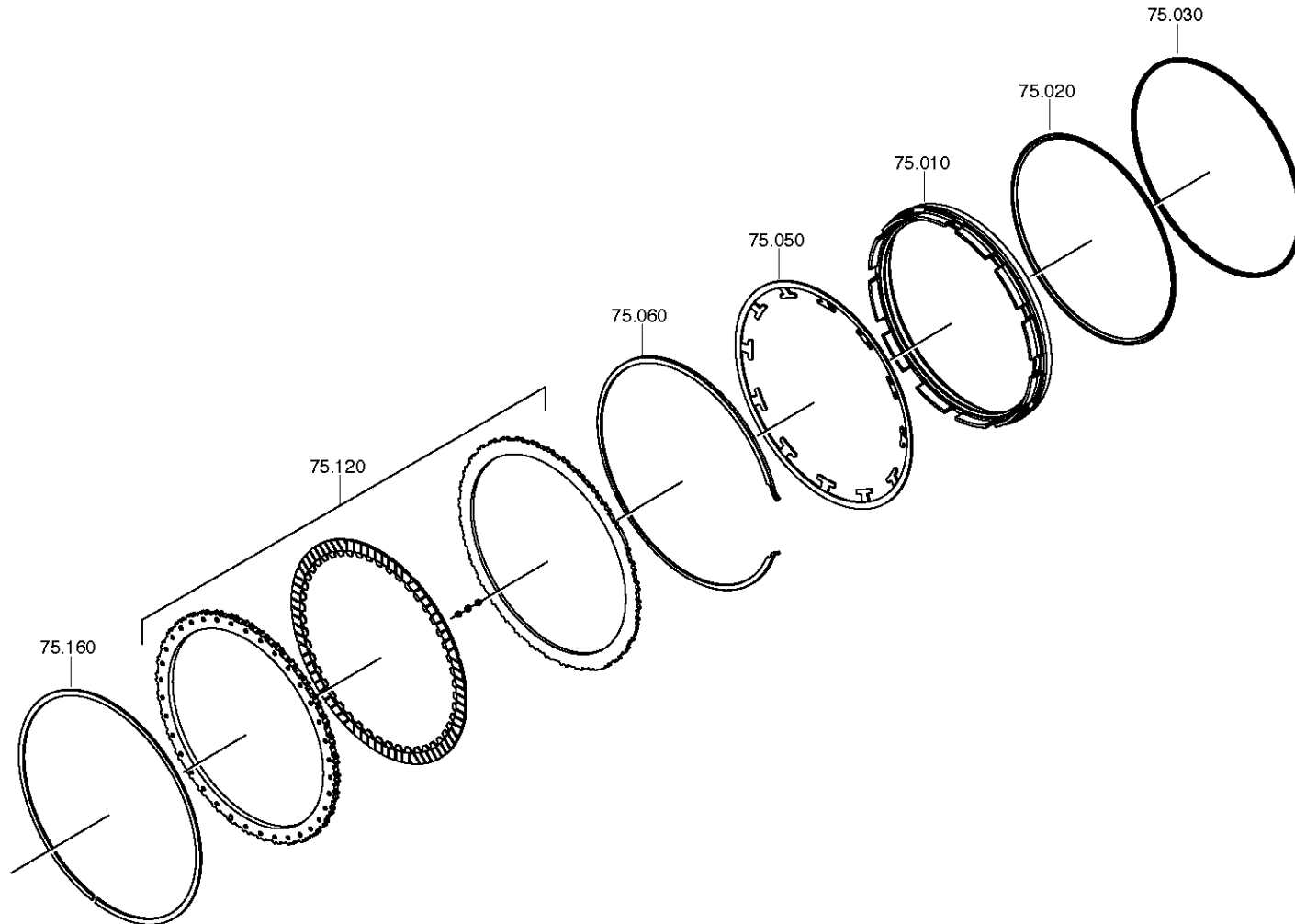
Material number: 1094.020.013

Picture: 220.75.01-1

Material-assembly-group-no: 1094.175.827



9HP48QX / ()
COUPLING C



9HP48

Picture

Page 1 from 1

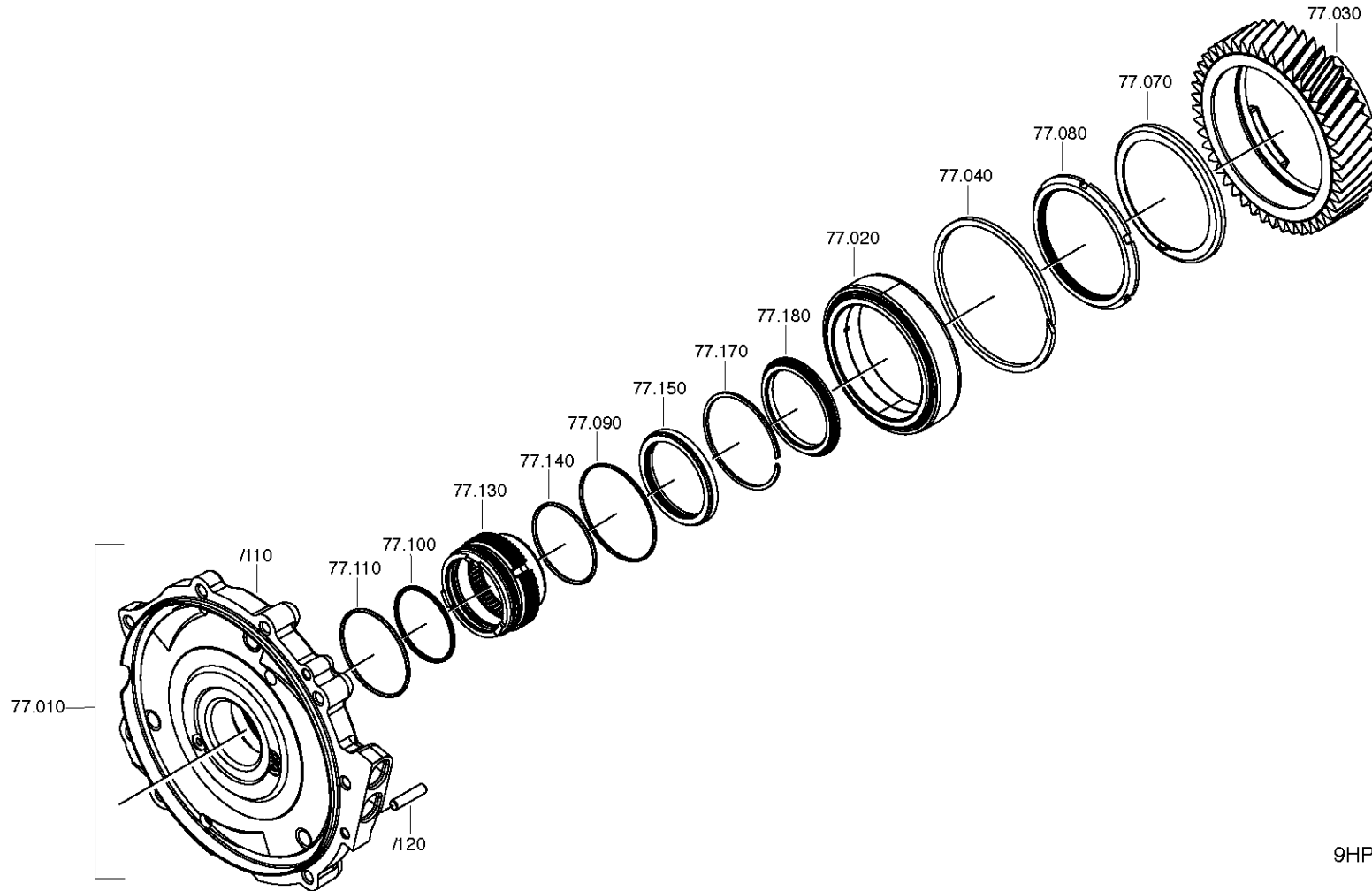
Material number: 1094.020.013

Picture: 220.77.01-1

Material-assembly-group-no: 1094.177.058



9HP48QX / ()
COUPLING



9HP48

Picture

Page 1 from 1

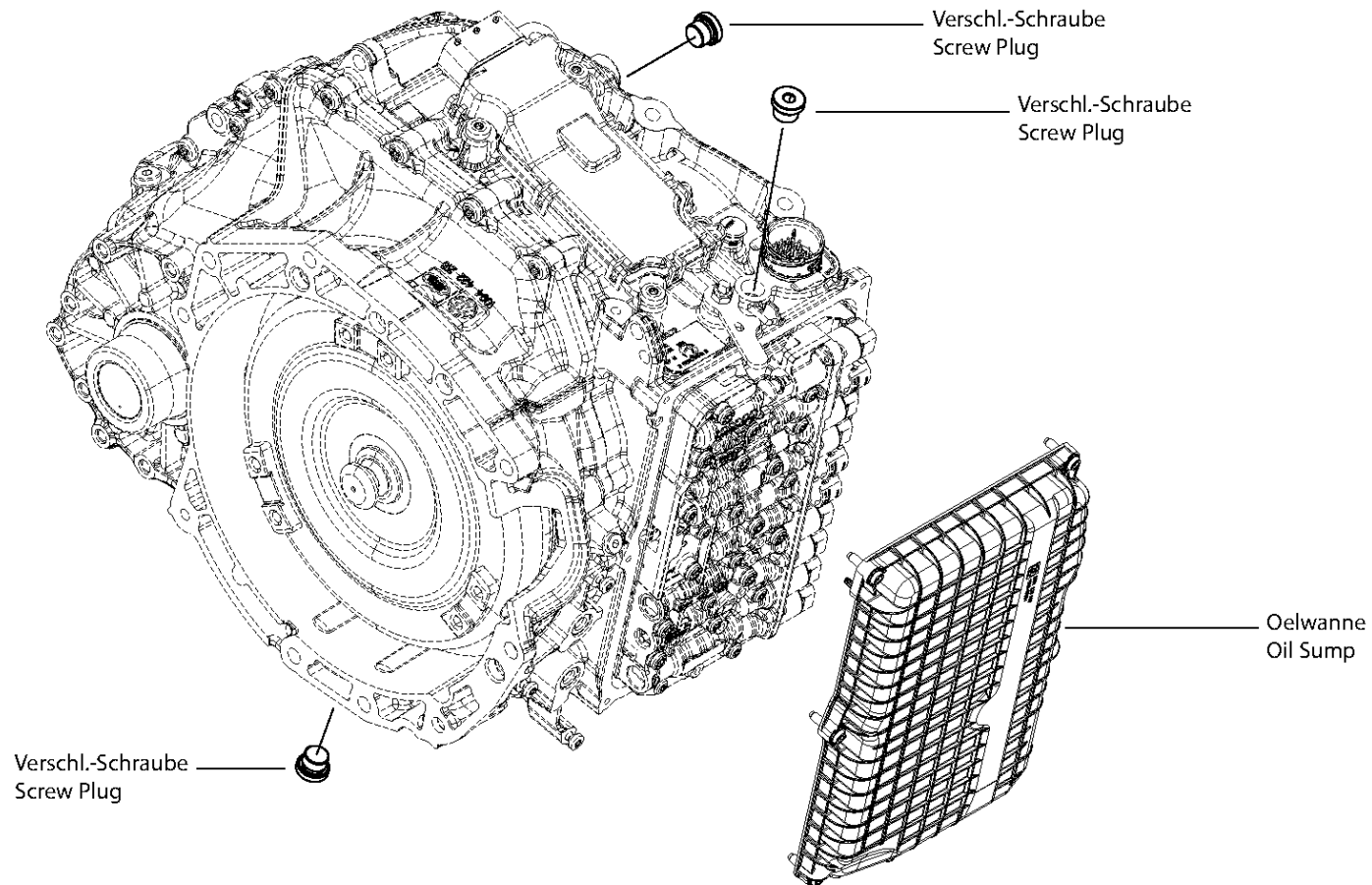
Material number: 1094.020.013

Picture: 220.03.01-1

Material-assembly-group-no: 1094.298.001



9HP48QX / ()
OIL PAN



9HP48 QX / O

Picture

Page 1 from 1

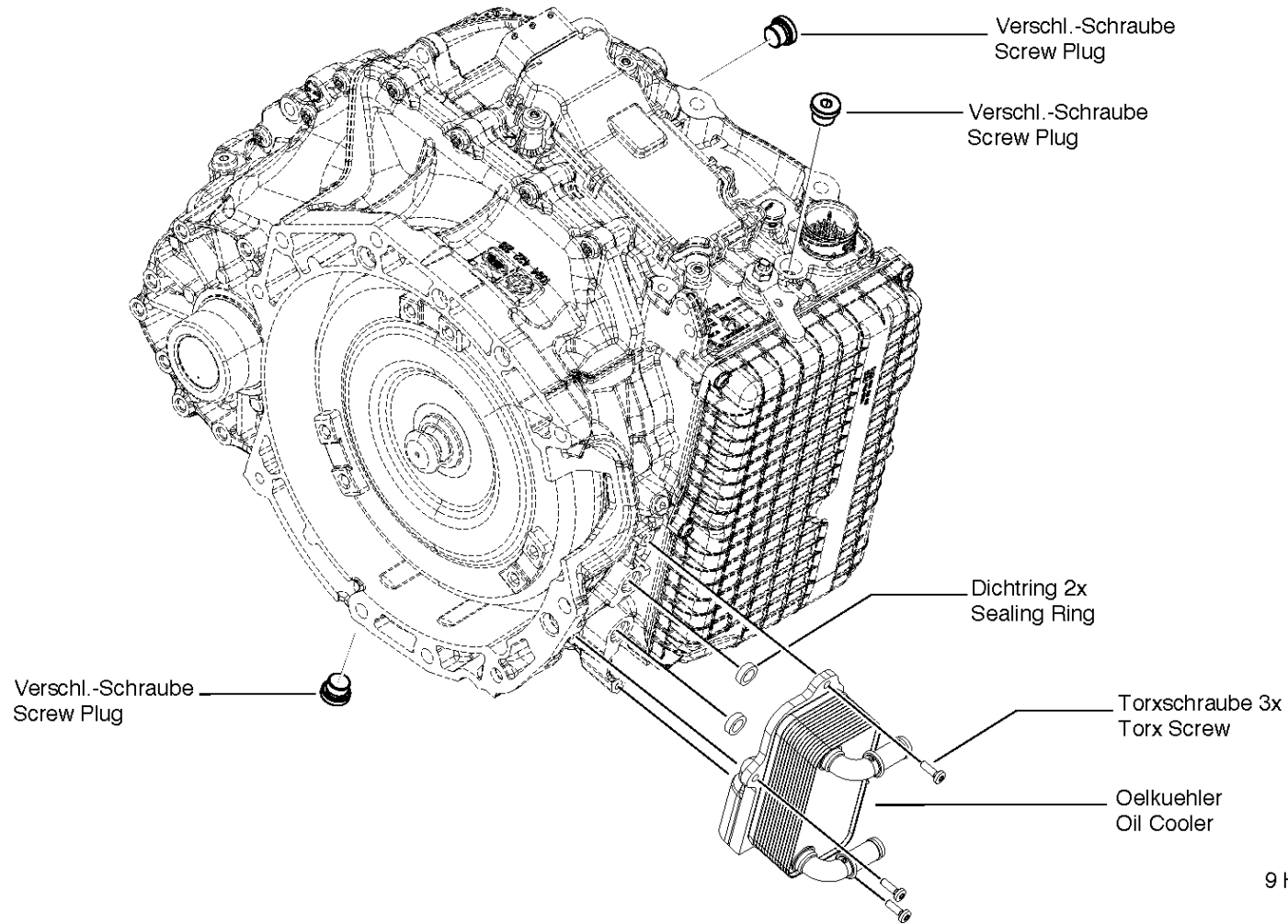
Material number: 1094.020.013

Picture: 220.20.01-1

Material-assembly-group-no: 1094.298.004



9HP48QX / ()
OIL COOLER



Picture

Page 1 from 1

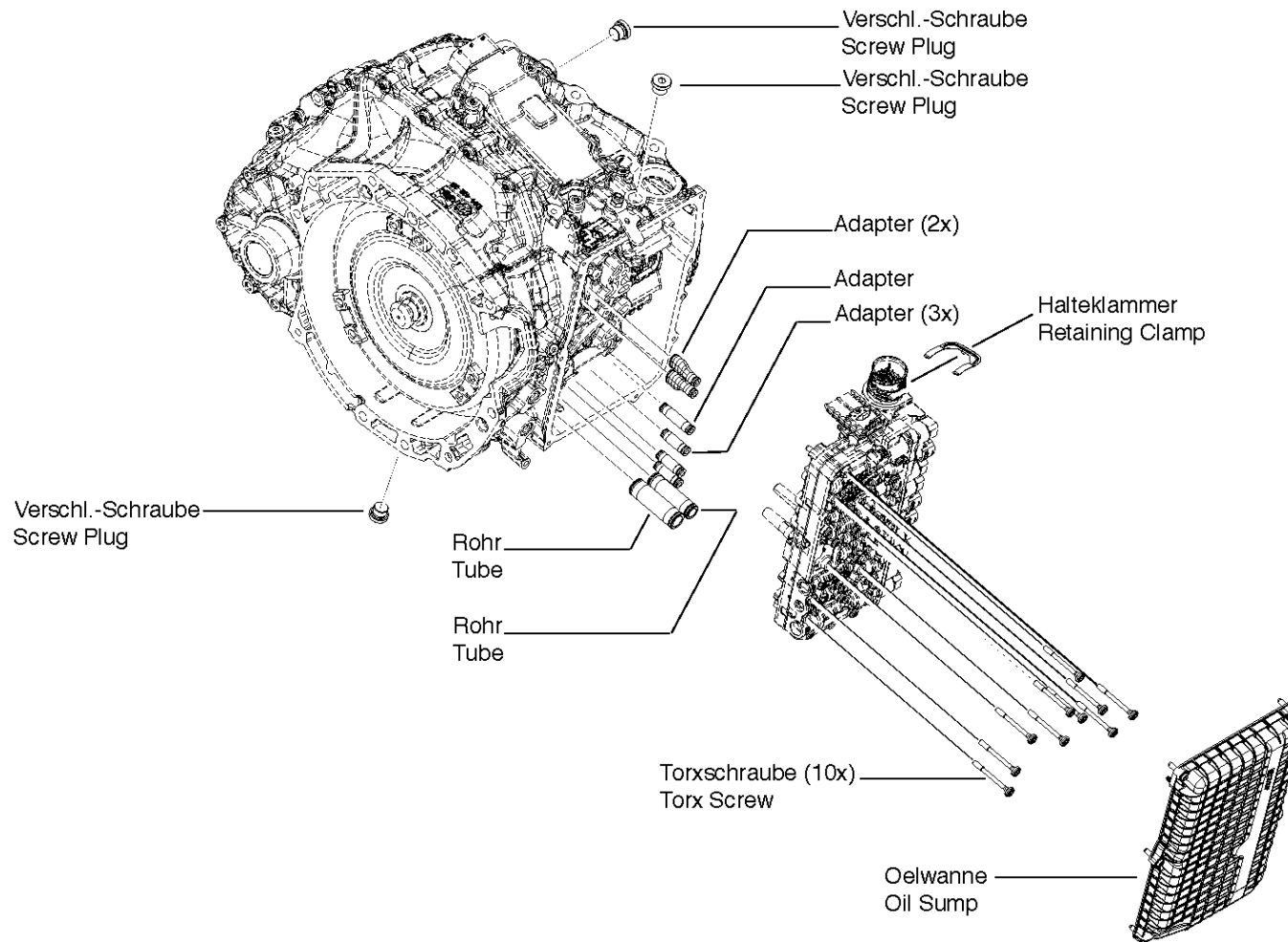
Material number: 1094.020.013

Picture: 220.01.21-1

Material-assembly-group-no: 1094.298.005



9HP48QX / ()
ADAPTER



9HP48 QX
JLR

Picture

Page 1 from 1

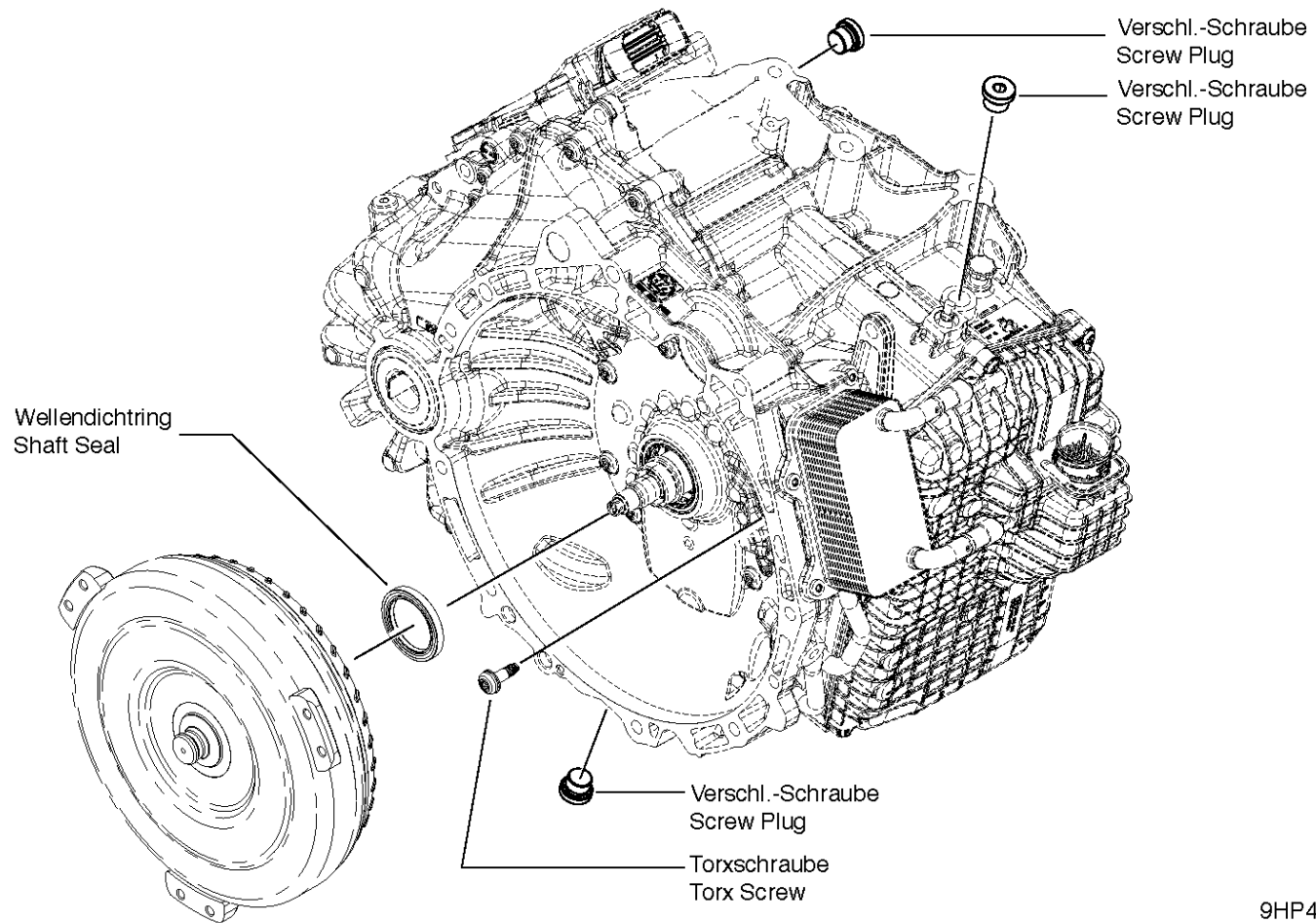
Material number: 1094.020.013

Picture: 220.22.12-1

Material-assembly-group-no: 1094.298.008



9HP48QX / ()
SEAL KIT



9HP48 / X
Honda

Picture

Page 1 from 1

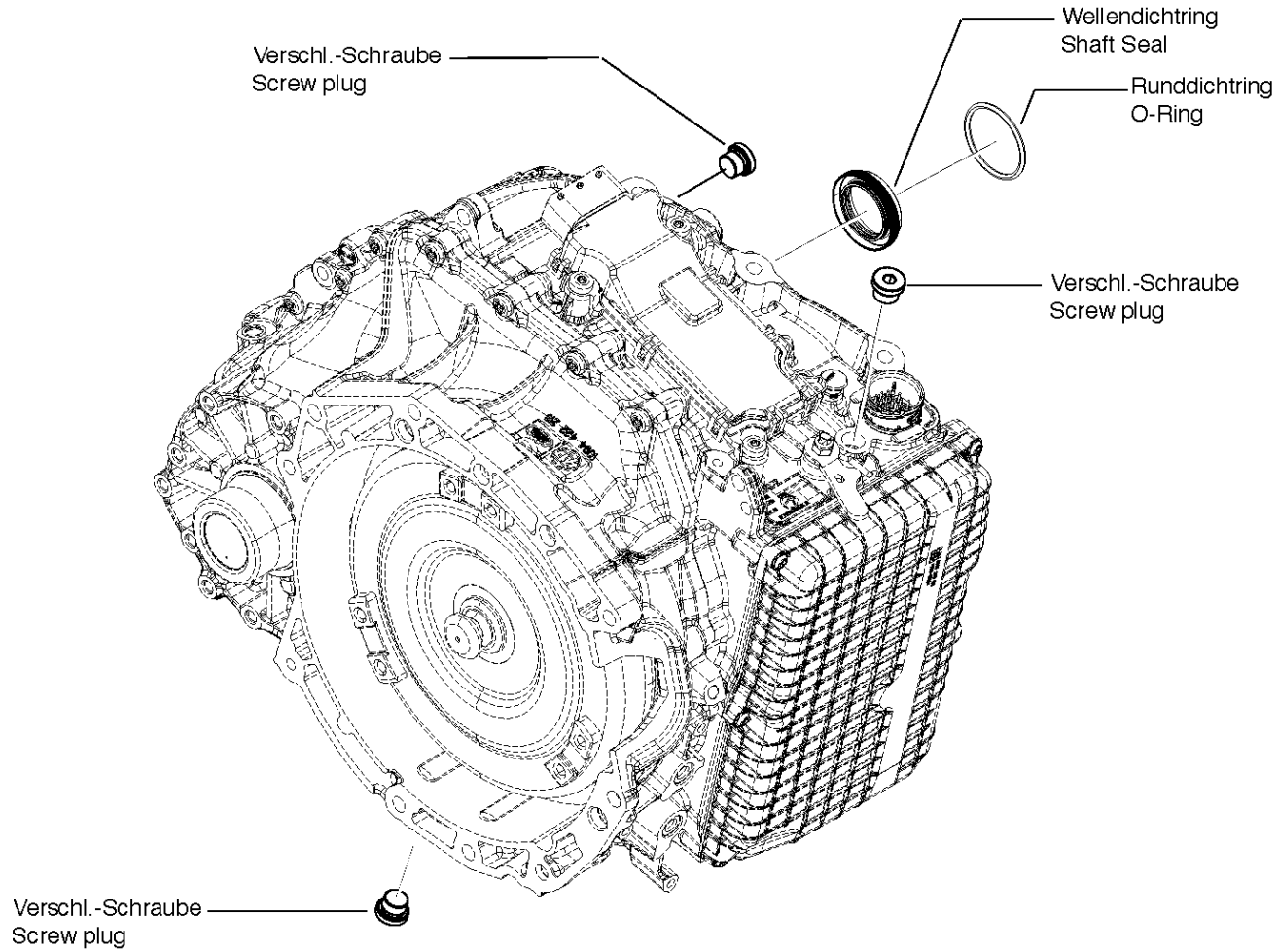
Material number: 1094.020.013

Picture: 220.01.31-1

Material-assembly-group-no: 1094.298.010



9HP48QX / ()
SEAL KIT



9HP48 QX
JLR

Picture

Page 1 from 1

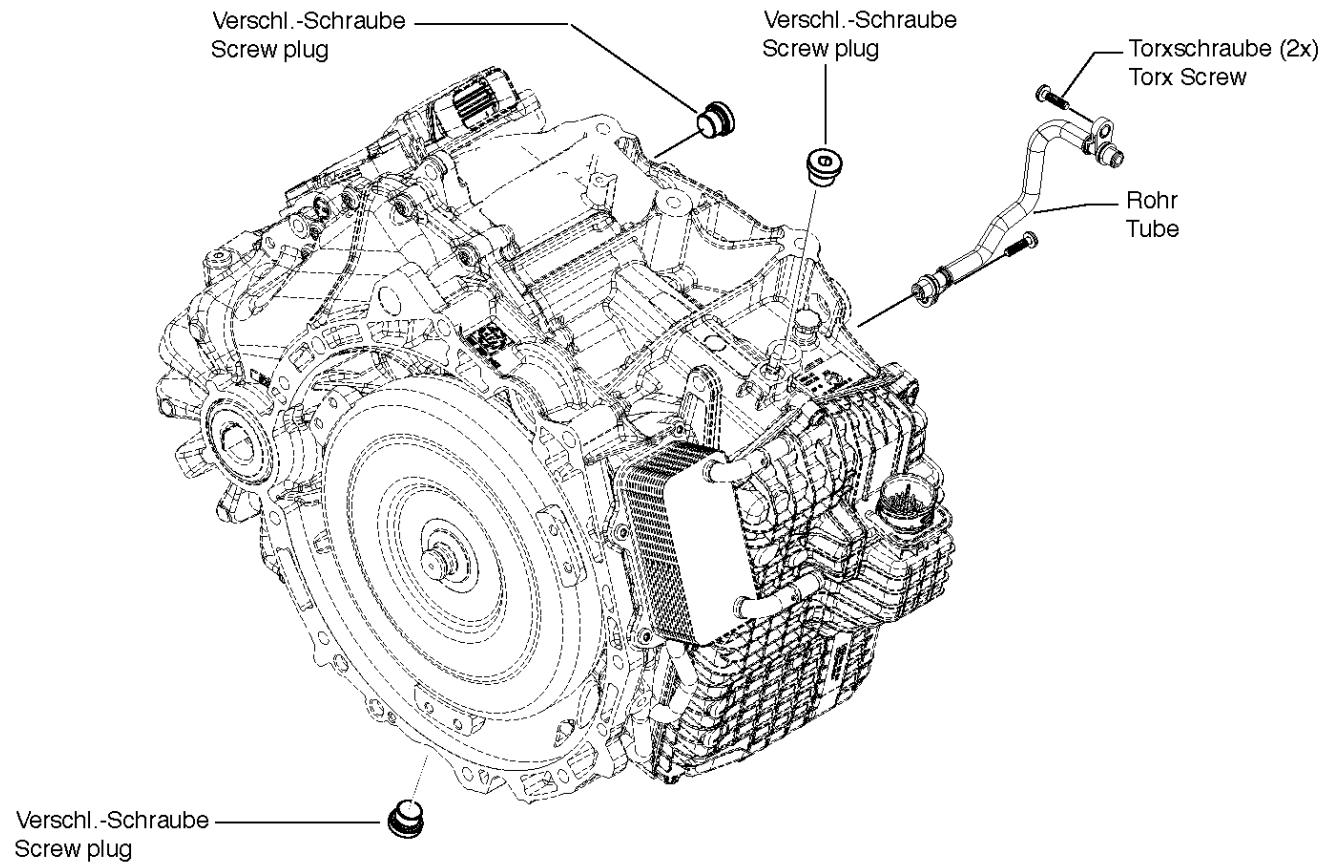
Material number: 1094.020.013

Picture: 220.01.42-1

Material-assembly-group-no: 1094.298.011



9HP48QX / ()
OIL TUBE



9HP48
Honda

Picture

Page 1 from 1

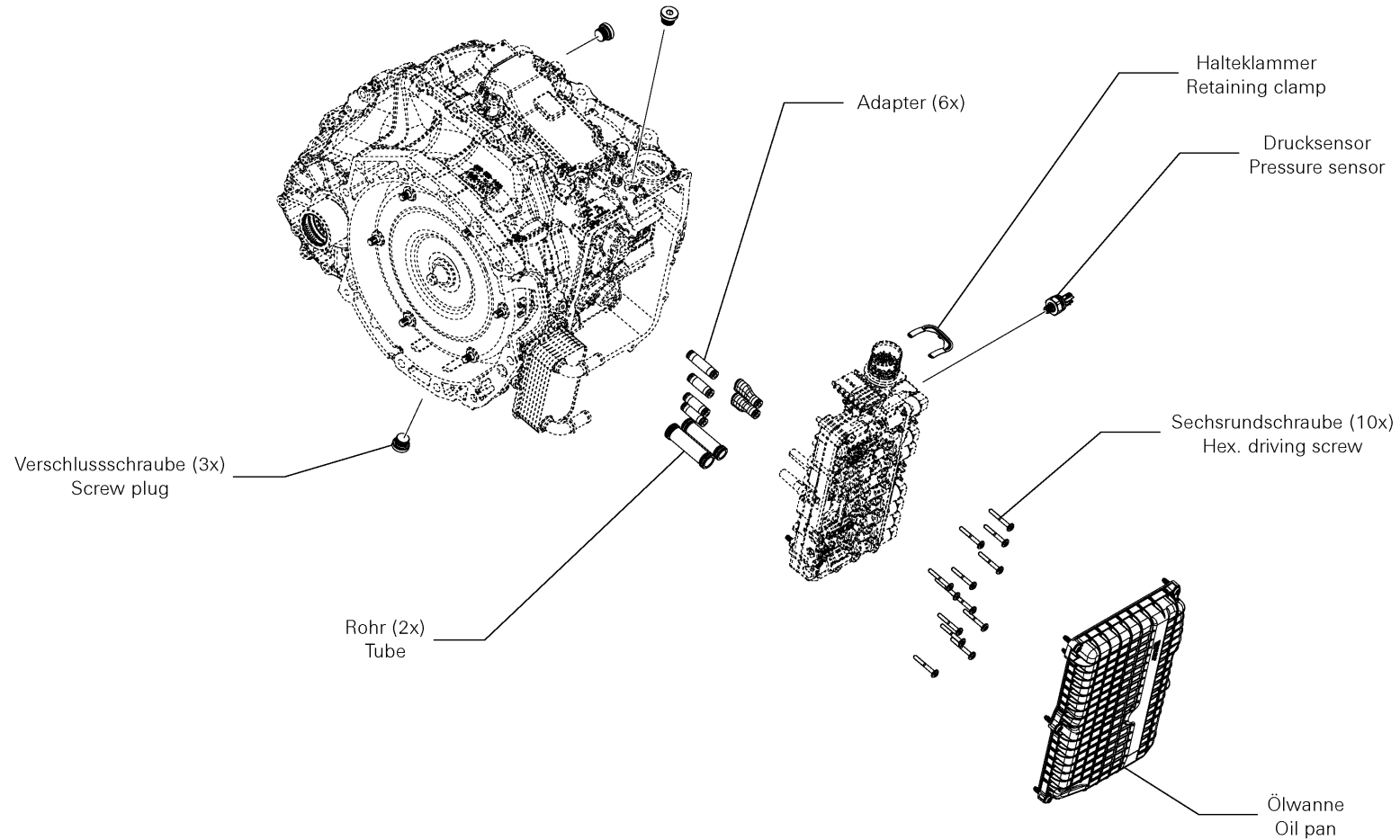
Material number: 1094.020.013

Picture: 1094_298_015

Material-assembly-group-no: 1094.298.015



9HP48QX / ()
PRESSURE SENSOR



Picture

Page 1 from 1

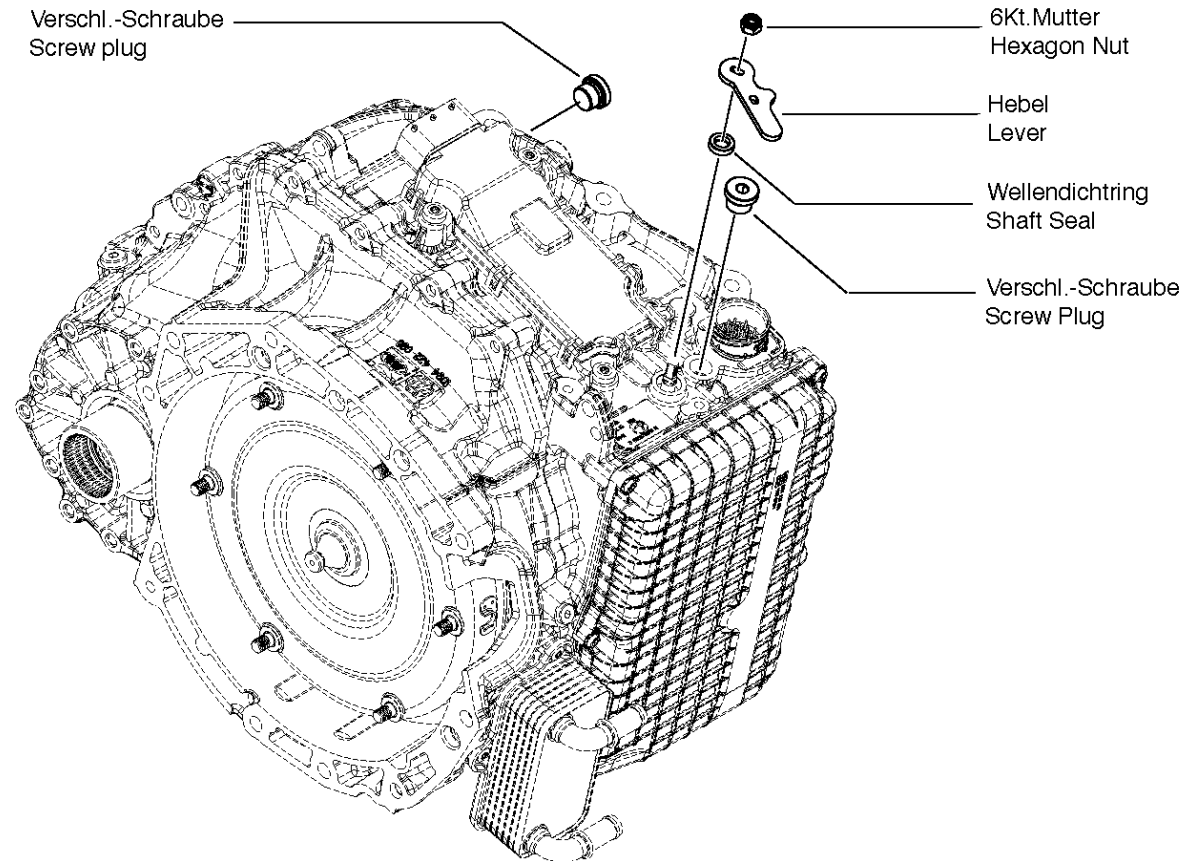
Material number: 1094.020.013

Picture: 220.06.01-1

Material-assembly-group-no: 1094.298.016



9HP48QX / ()
SHIFT SYSTEM



9HP48 QX
JLR

Picture

Page 1 from 1

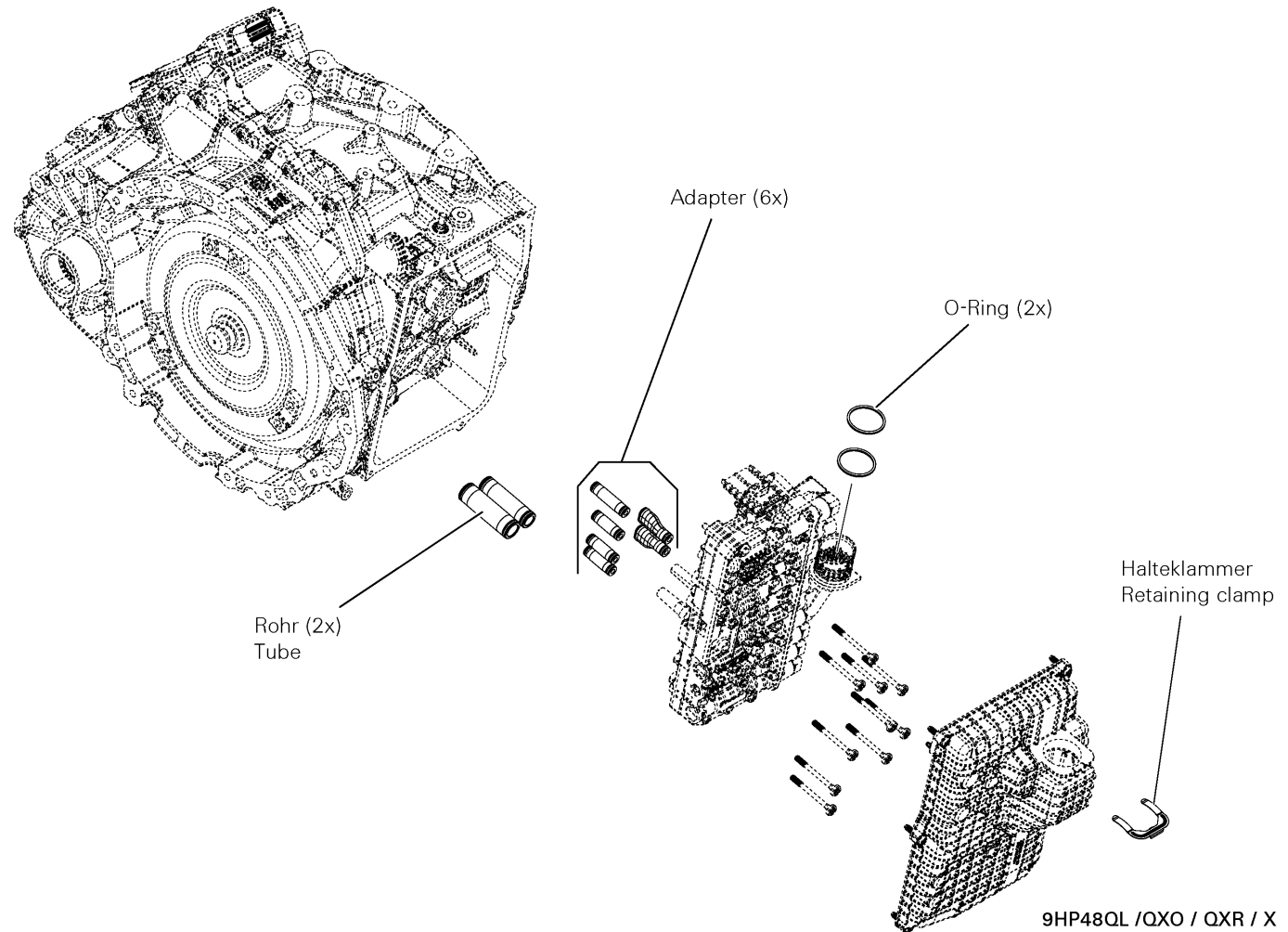
Material number: 1094.020.013

Picture: 1094_298_025_X3

Material-assembly-group-no: 1094.298.025



9HP48QX / ()
SEAL KIT



Picture

Page 1 from 1

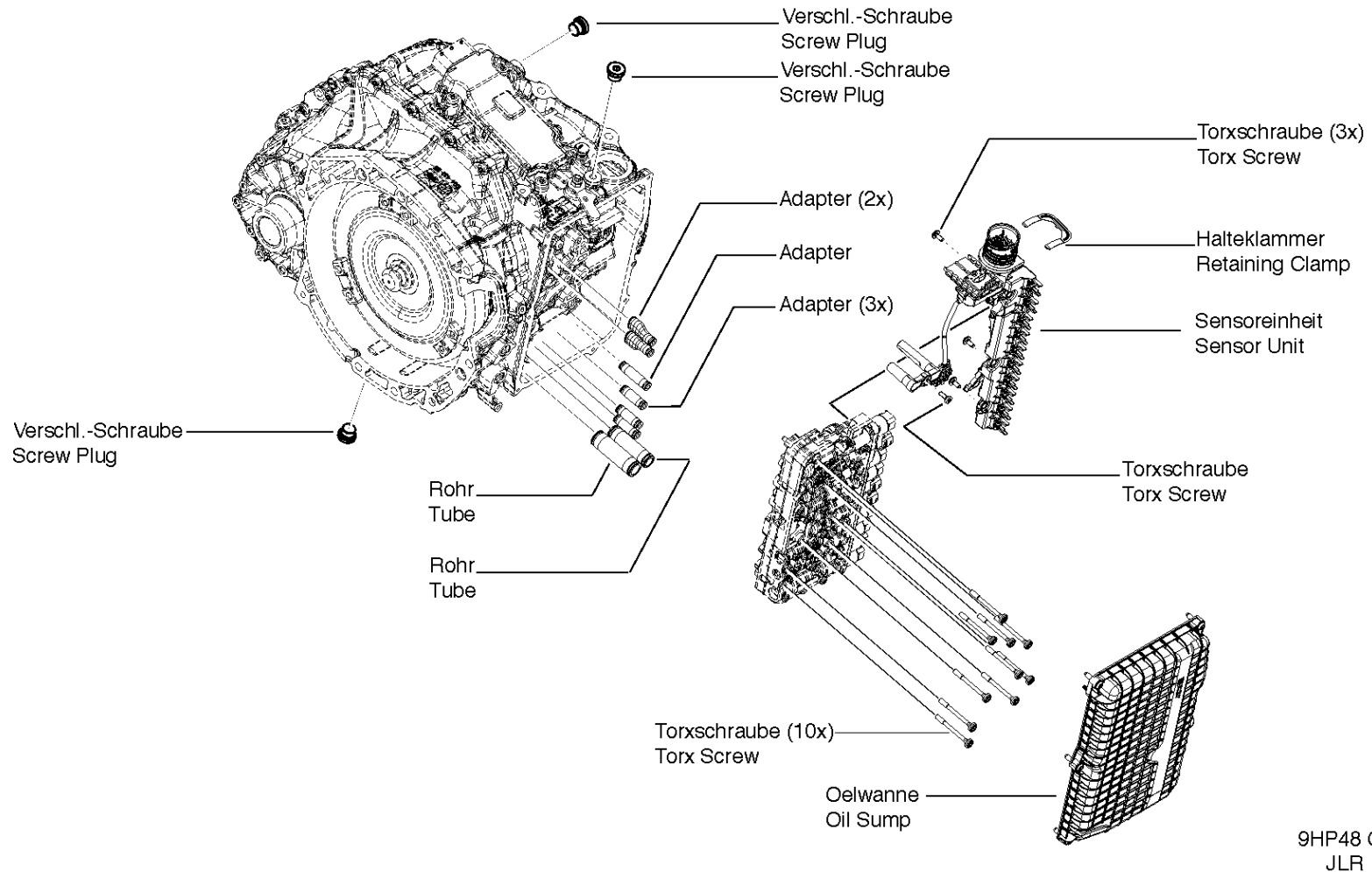
Material number: 1094.020.013

Picture: 220.28.01-1

Material-assembly-group-no: 1094.298.066



9HP48QX / ()
SENSOR UNIT



Picture

Page 1 from 1

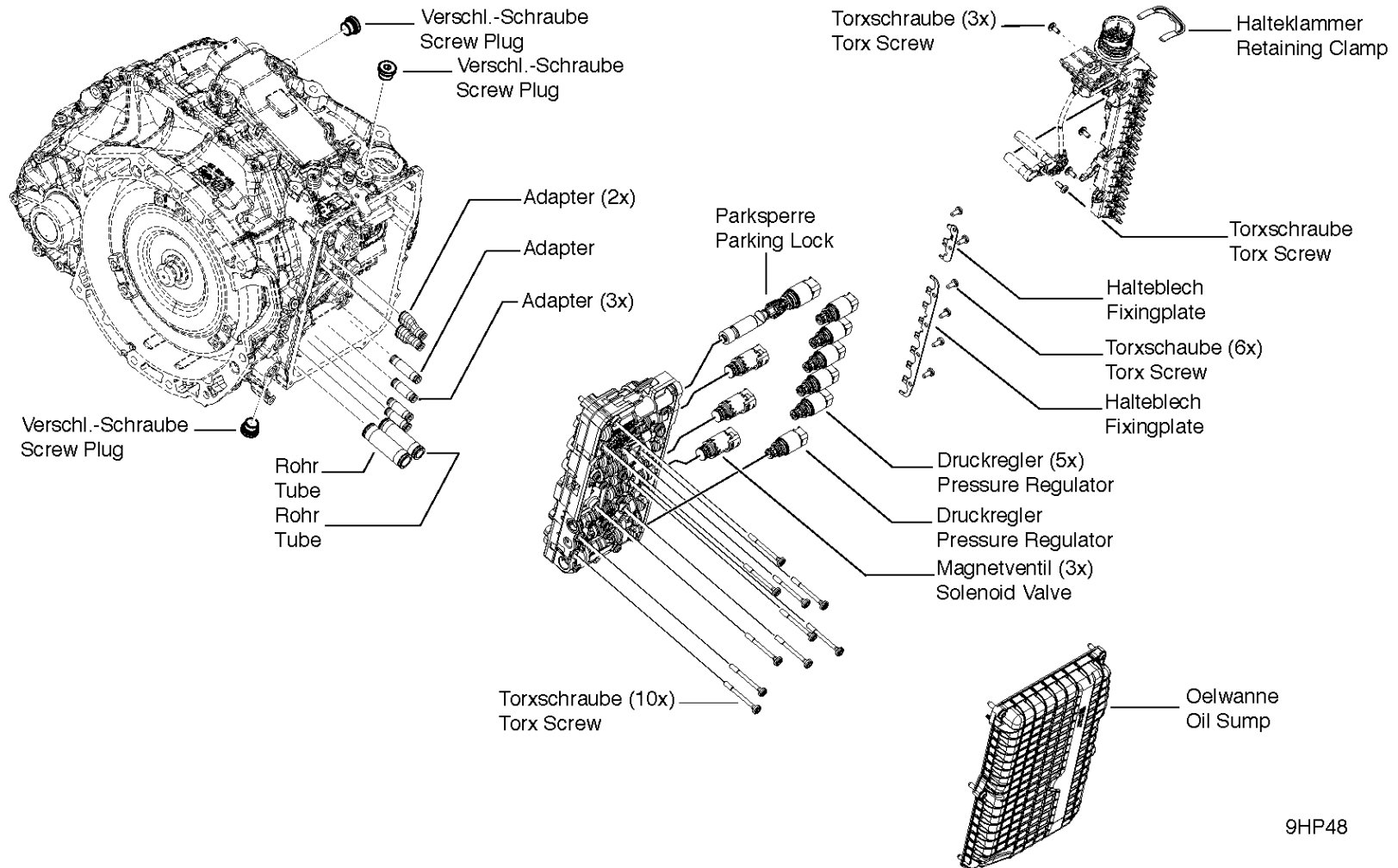
Material number: 1094.020.013

Picture: 220.50.21-1

Material-assembly-group-no: 1094.298.067



9HP48QX / ()
PRESSURE REGULATOR



9HP48

Picture

Page 1 from 1

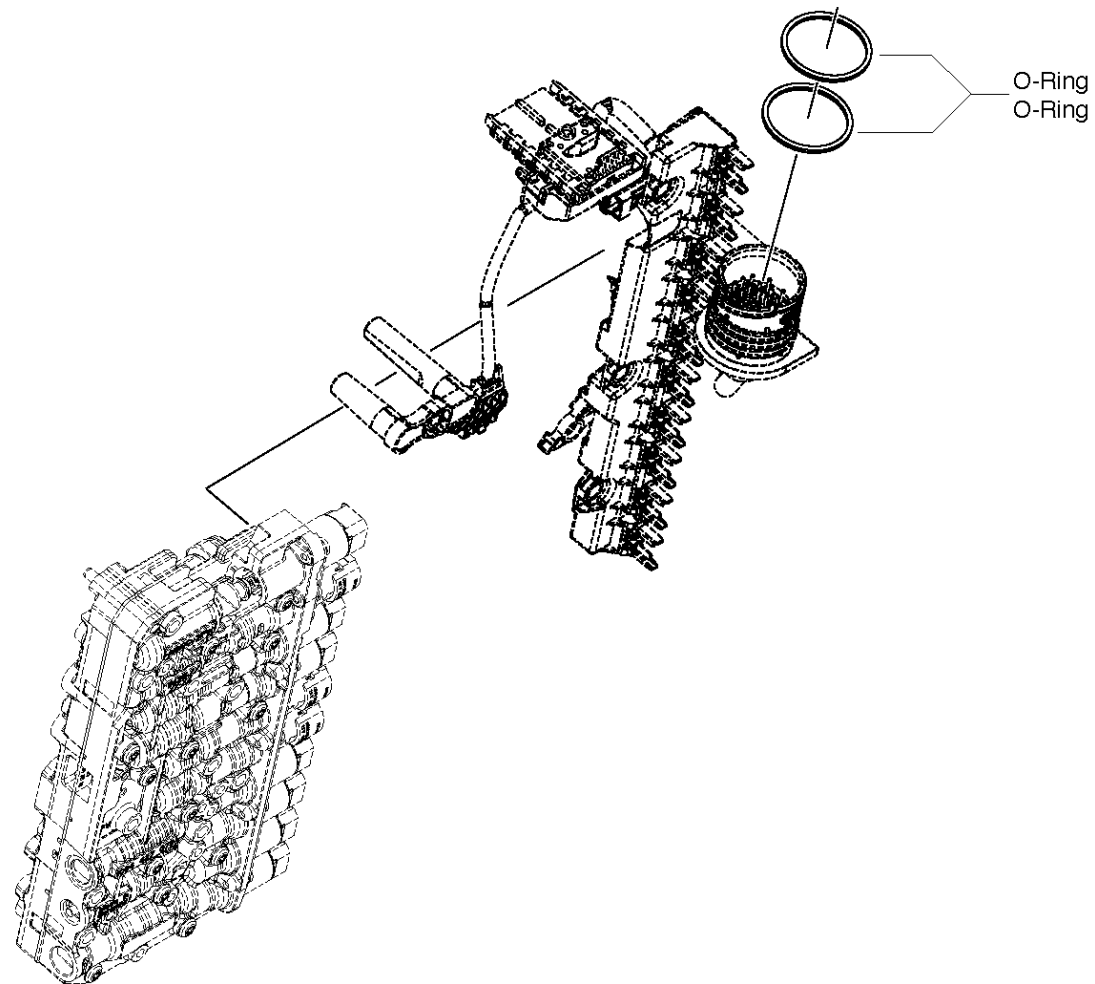
Material number: 1094.020.013

Picture: 220.28.41-1

Material-assembly-group-no: 1094.298.129



9HP48QX / ()
O-RING



9HP48

Picture

Page 1 from 1

Material number: 1094.020.013

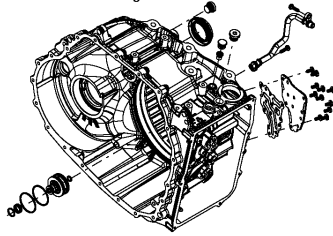
Picture: 1094_298_204_BT

Material-assembly-group-no: 1094.298.204



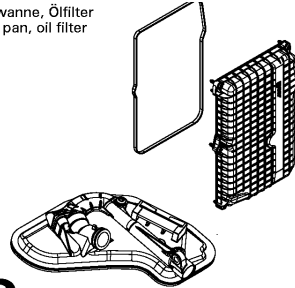
9HP48QX / ()
SEAL KIT

Getriebegehäuse
Transmission Housing



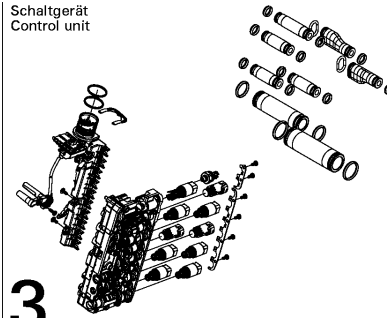
1.

Ölwanne, Ölfilter
Oil pan, oil filter



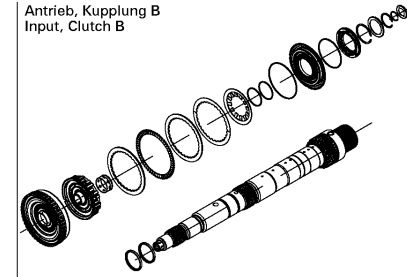
2.

Schaltgerät
Control unit



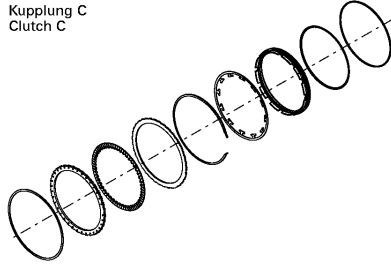
3.

Antrieb, Kupplung B
Input, Clutch B



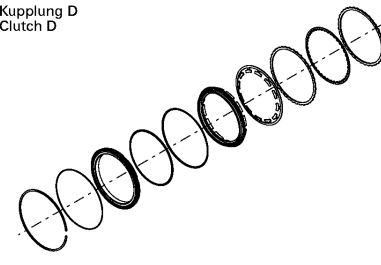
4.

Kupplung C
Clutch C



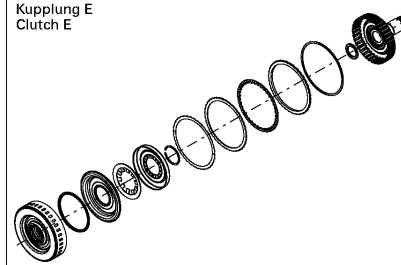
5.

Kupplung D
Clutch D



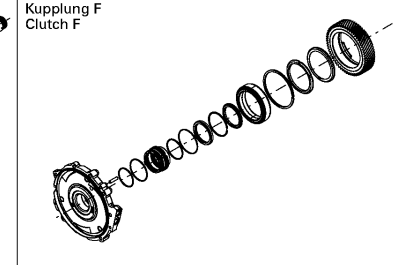
6.

Kupplung E
Clutch E



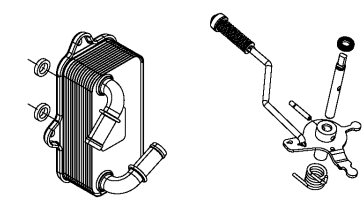
7.

Kupplung F
Clutch F



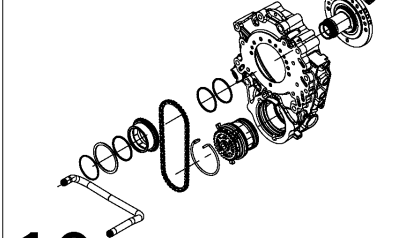
8.

Schaltung, Ölkühler
Shifting system, Oil cooler



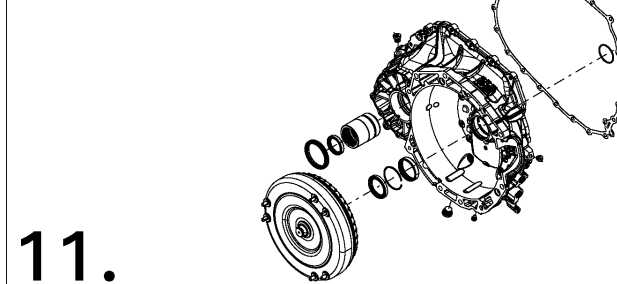
9.

Ölversorgung, Druckbegrenzungsventil
Oil supply, pressure limiting valve



10.

Wandler, Anflanschglocke, Abtrieb, Differential
Converter, Bell housing, Output, Differential



11.

Picture

Page 1 from 1

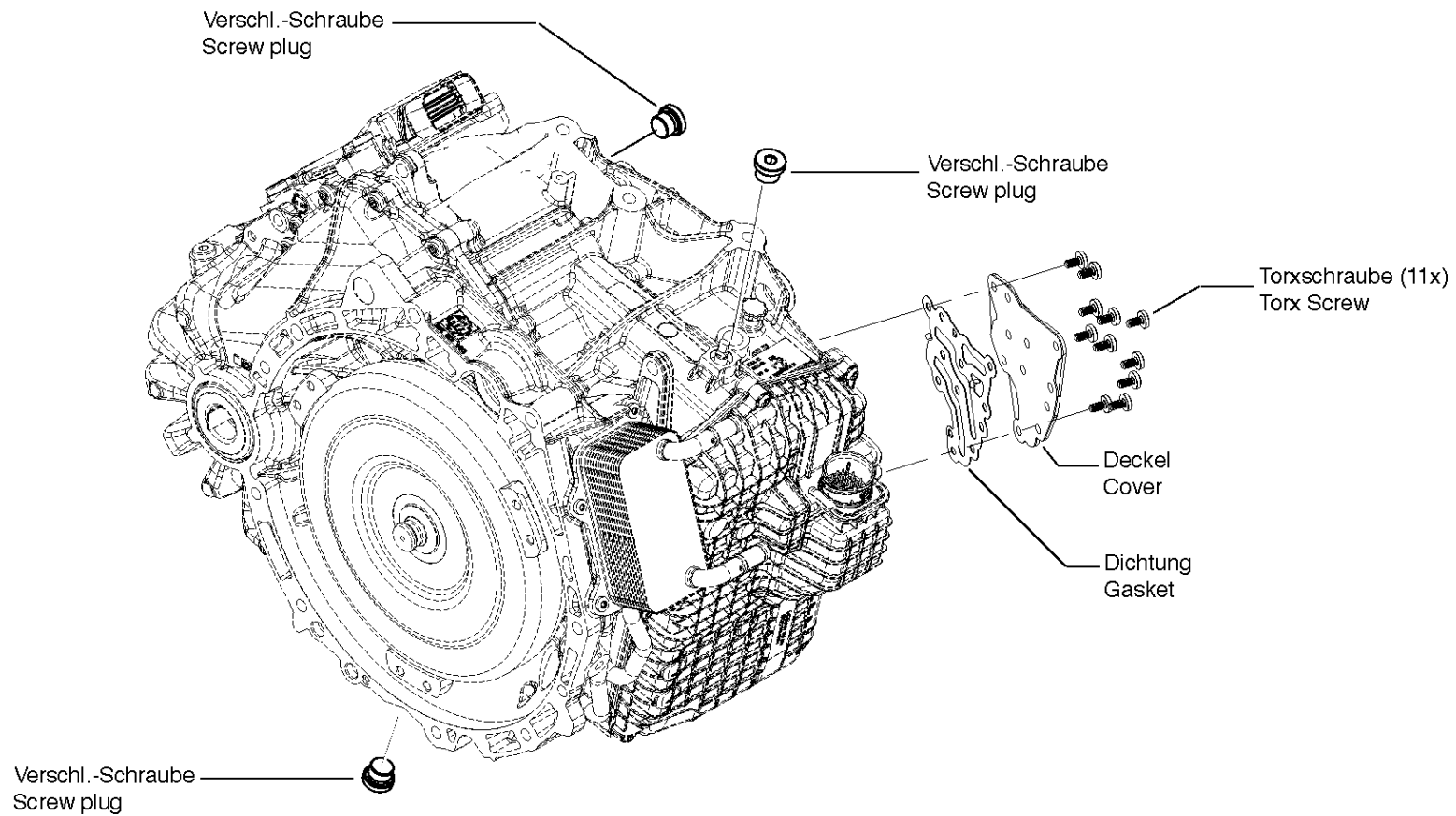
Material number: 1094.020.013

Picture: 220.01.32-1

Material-assembly-group-no: 1094.298.920



9HP48QX / ()
COVER



9HP48
Honda

Picture

Page 1 from 1

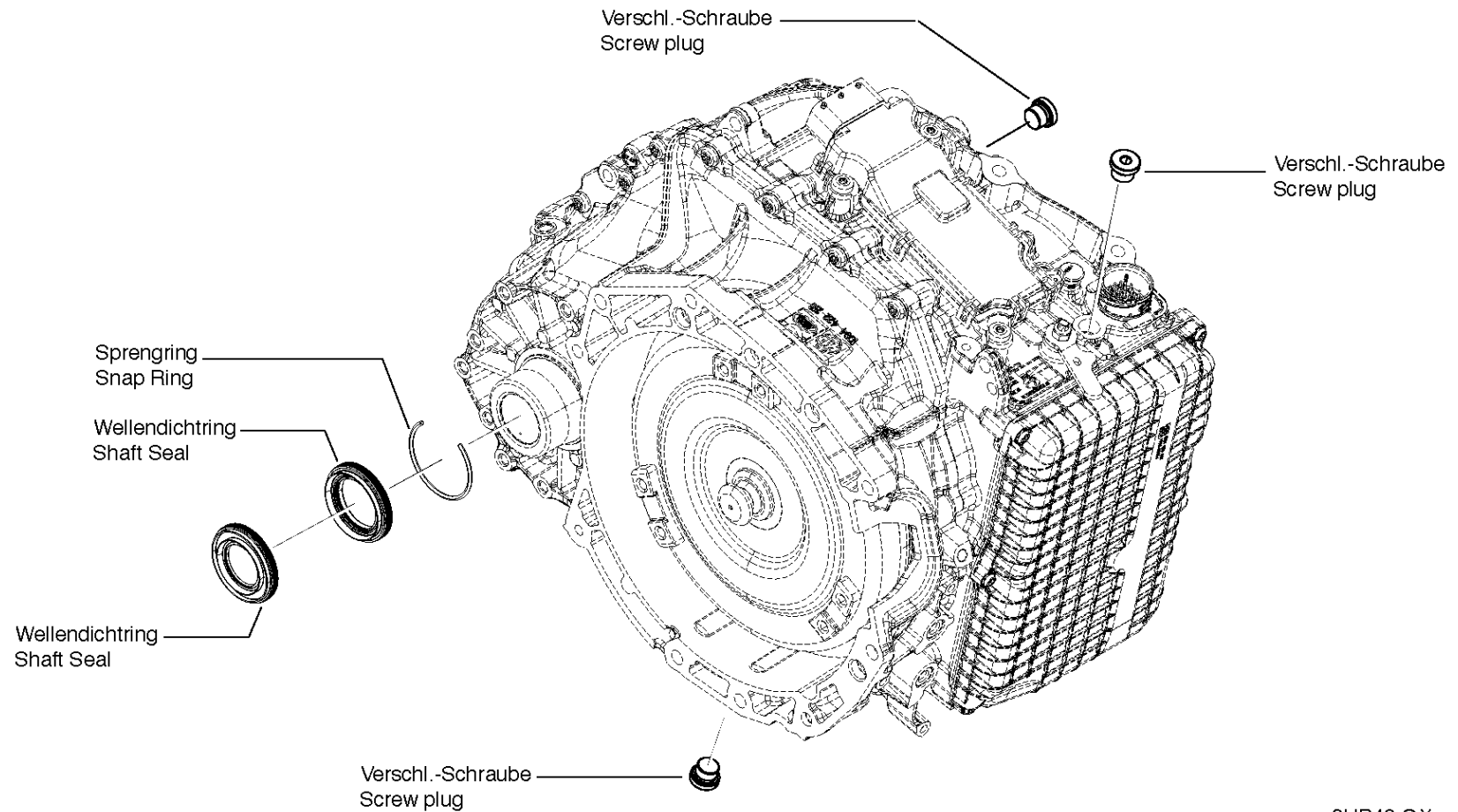
Material number: 1094.020.013

Picture: 220.22.21-1

Material-assembly-group-no: 1094.298.936



9HP48QX / ()
SEAL KIT



9HP48 QX
JLR

Picture

Page 1 from 1

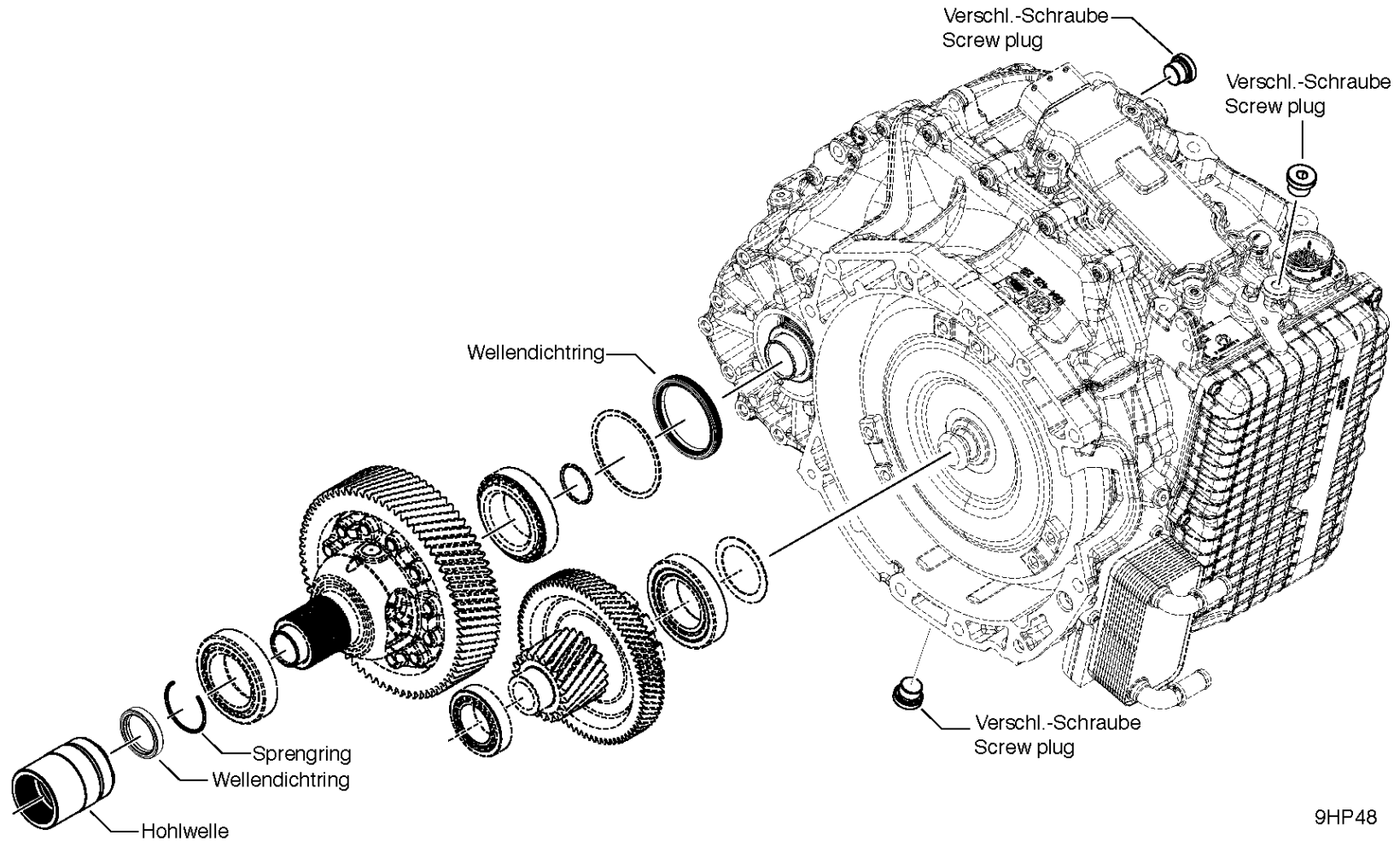
Material number: 1094.020.013

Picture: 220.09.21-1

Material-assembly-group-no: 1094.298.938



9HP48QX / ()
QUILL SHAFT



9HP48

Picture

Page 1 from 1

Material number: 1094.020.013

Picture: 1094_298_966_BT

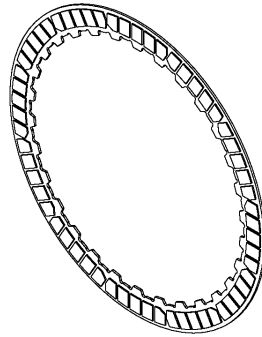
Material-assembly-group-no: 1094.298.966



9HP48QX / ()
LINED CLUTCH DISK

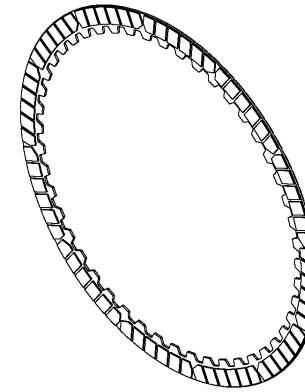
Kupplung B

4x



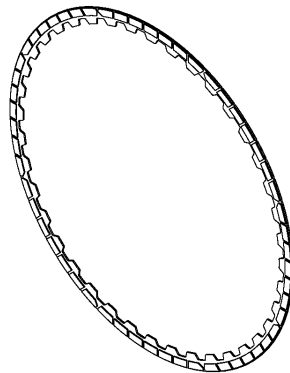
Kupplung C

3x



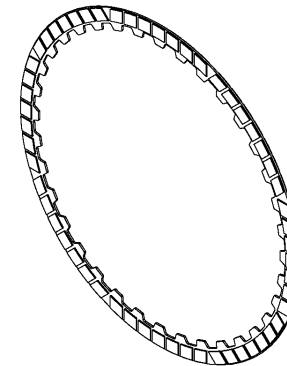
Kupplung D

4x



Kupplung E

5x



9HP48
9HP50

Picture

Page 1 from 1

Material number: 1094.020.013

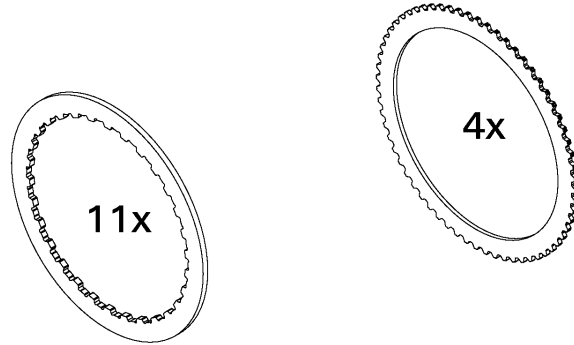
Picture: 1094_298_969_BT

Material-assembly-group-no: 1094.298.969

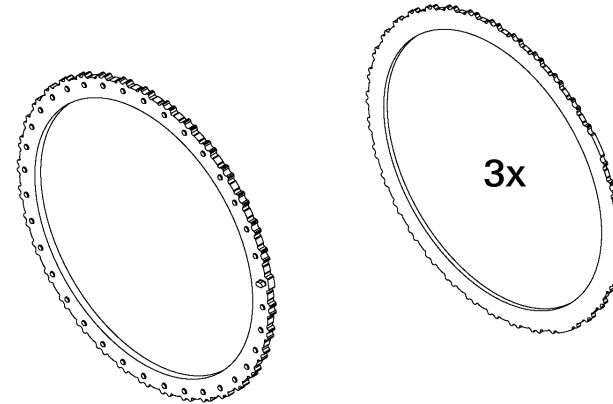


9HP48QX / ()
OUTER CLUTCH DISK

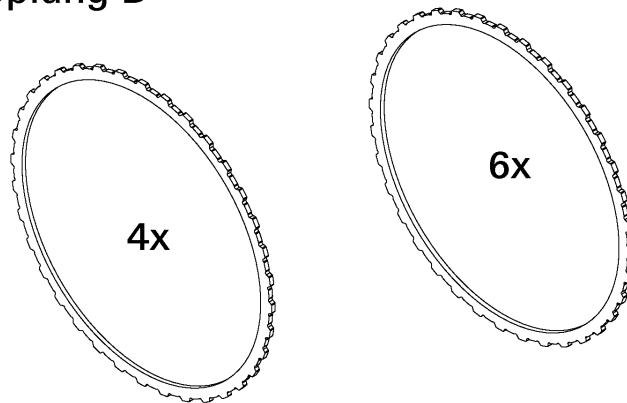
Kupplung B



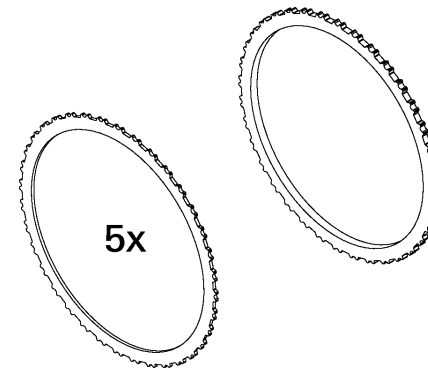
Kupplung C



Kupplung D



Kupplung E



9HP48
9HP50

Picture

Page 1 from 1

Material number: 1094.020.013

Picture: 1094_298_987

Material-assembly-group-no: 1094.298.987



9HP48QX / ()
OIL CHANGE KIT

