



Spare Parts Catalog

6 WG 210

()

Material number: 4657.056.016

Current date: 21.07.2013

ZF Friedrichshafen AG
Hauptverwaltung
80038 Friedrichshafen
Deutschland

Telefon: +49 7541 77-0

Telefax: +49 7541 77-908000

www.zf.com

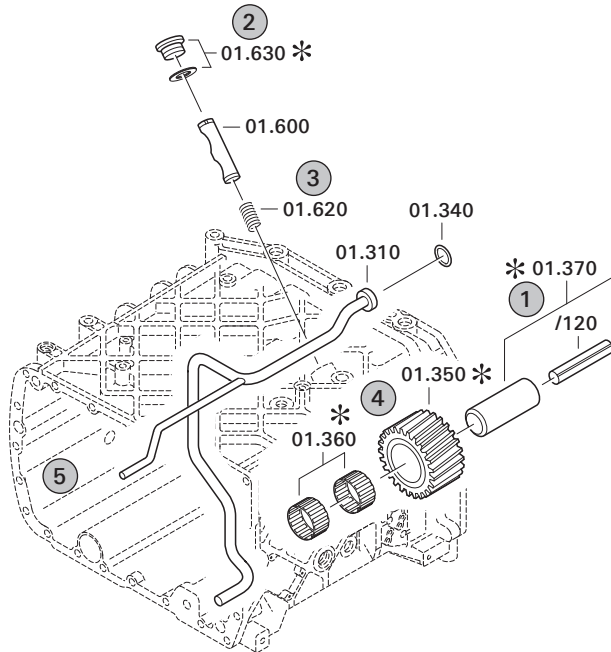
zuständiges Werk:
Passau

Notes relating to the spare parts catalog

Setup of the spare parts catalog

- Cover sheet
- Technical Cover (only in SDM print)
- Overview of figures
- Figure
- Associated parts list
- Next figure
- Associated parts list
- ...

Figure and parts list



Overview of figures

Bildtafel Figure	Sachnummer Product number	Benennung (Description)	Technische Info Technical info	Description (Benennung)	Menge Quantity	Einheit Unit
068.08.17	1316.170.001	AUSLEGER	WL	SHIFT TURRET	1	Stk
068.08.06	1316.170.031	DECKEL	WL*H-H *VM	COVER	1	Stk
068.08.14	1316.170.808	DECKEL	WL*AUSL+GEH*H-H*HF160N	COVER	1	Stk
08	1316.170.441	ANSCHLUSSTEILE	WL*NG-VORB*RG-SCHL*168N *BAJONETT	CONNECTING PARTS	1	Stk

The "gap" indicates that there is no separate graphics panel (poster) for this assembly
The parts of this assembly are shown with the same mid-section number on the figure

1 Positions and subpositions

Pos.	Sachnummer Product number	Benennung (Description)	Technische Info Technical info	Description (Benennung)	Menge Quantity	Einheit Unit
0370	1315.201.054	RUECKLAUFBOLZEN	KPL.16S151*SG*L= 79	REV.IDLER SHAFT	1	Stk
/0120	0631.329.293	SPANNSTIFT		SLOT. PIN	1	Stk

Positions marked with "/" are the individual items of a completion
For example: Position 0370 contains a centering pin with the position /0120

2 Combinations with standardized parts

Pos.	Sachnummer Product number	Benennung (Description)	Technische Info Technical info	Description (Benennung)	Menge Quantity	Einheit Unit
0630		VERSCHL.SCHR.		SCREW PLUG	1	Stk
	0636.302.067	VERSCHL.SCHR.		SCREW PLUG	1	Stk
	0634.801.249	DICHTRING	A 26 X 31	SEALING RING	1	Stk

The parts list shows the components included in the combination of standardized parts

3 Depiction of position/item number on the figure and in the parts list

01.620 - on the figure 01 relates to the assembly in which the position is included. Due to program-related reasons, it is shown on the figure.

0620 - in the parts list

Pos.	Sachnummer Product number	Benennung (Description)	Technische Info Technical info	Description (Benennung)	Menge Quantity	Einheit Unit
0620	0732.040.736	DRUCKFEDER		COMPRESSION SPRING	1	Stk

4 *-Positions

Positions marked with an * are optional i.e. inclusion in the parts list is not mandatory.
The following note is shown on the figure

je nach Stücklistenausführung
depending on spec. number
*
suivant la nomenclature
secondo la distinta base

5 Parts, dotted display

Parts with dotted display on the figure are only used for orientation of other parts

Picture

Page 1 from 1

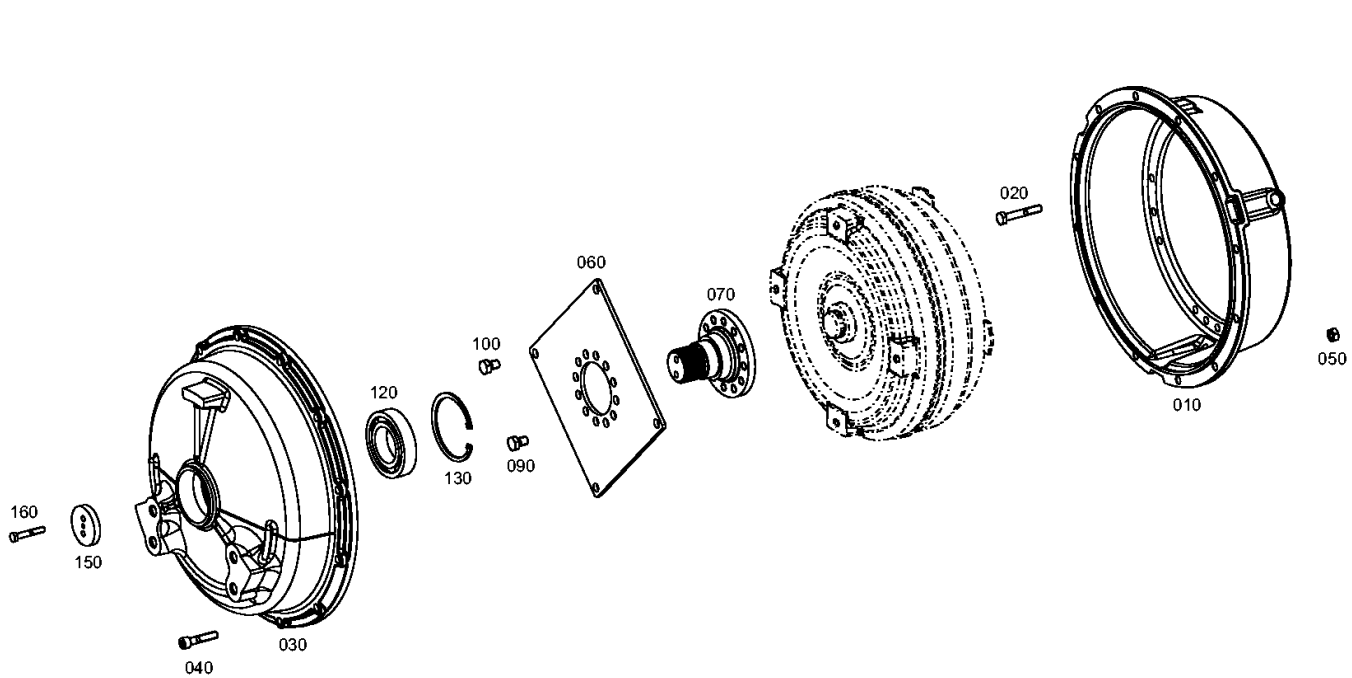
Material number: 4657.056.016

Picture: 465713005400

Material-assembly-group-no: 4657.130.054



6 WG 210 / ()
ENGINE CONNECTION



Picture

Page 1 from 1

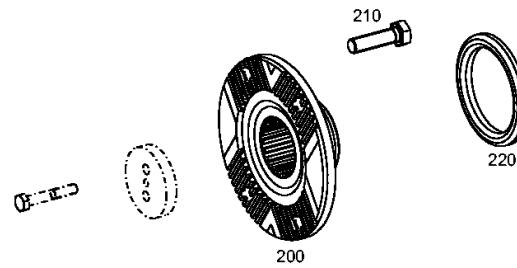
Material number: 4657.056.016

Picture: 465713041800

Material-assembly-group-no: 4657.130.418



6 WG 210 / ()
ENGINE CONNECTION



Picture

Page 1 from 1

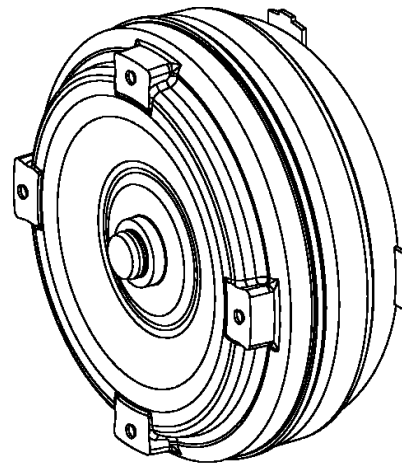
Material number: 4657.056.016

Picture: 416603417400

Material-assembly-group-no: 4166.034.174



6 WG 210 / ()
CONVERTER



010

Picture

Page 1 from 1

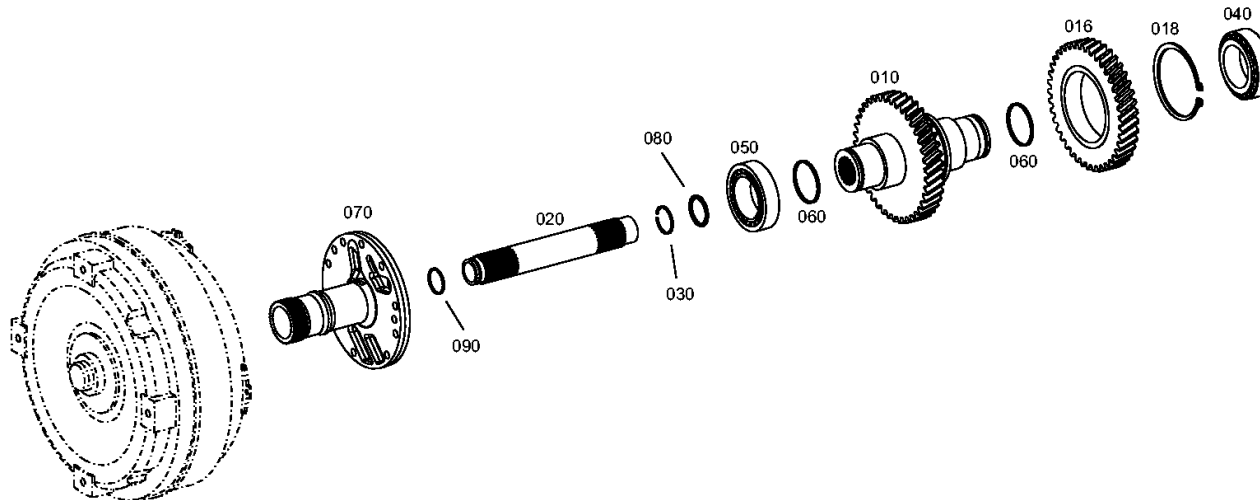
Material number: 4657.056.016

Picture: 465710201300

Material-assembly-group-no: 4657.102.013



6 WG 210 / ()
INPUT



Picture

Page 1 from 2

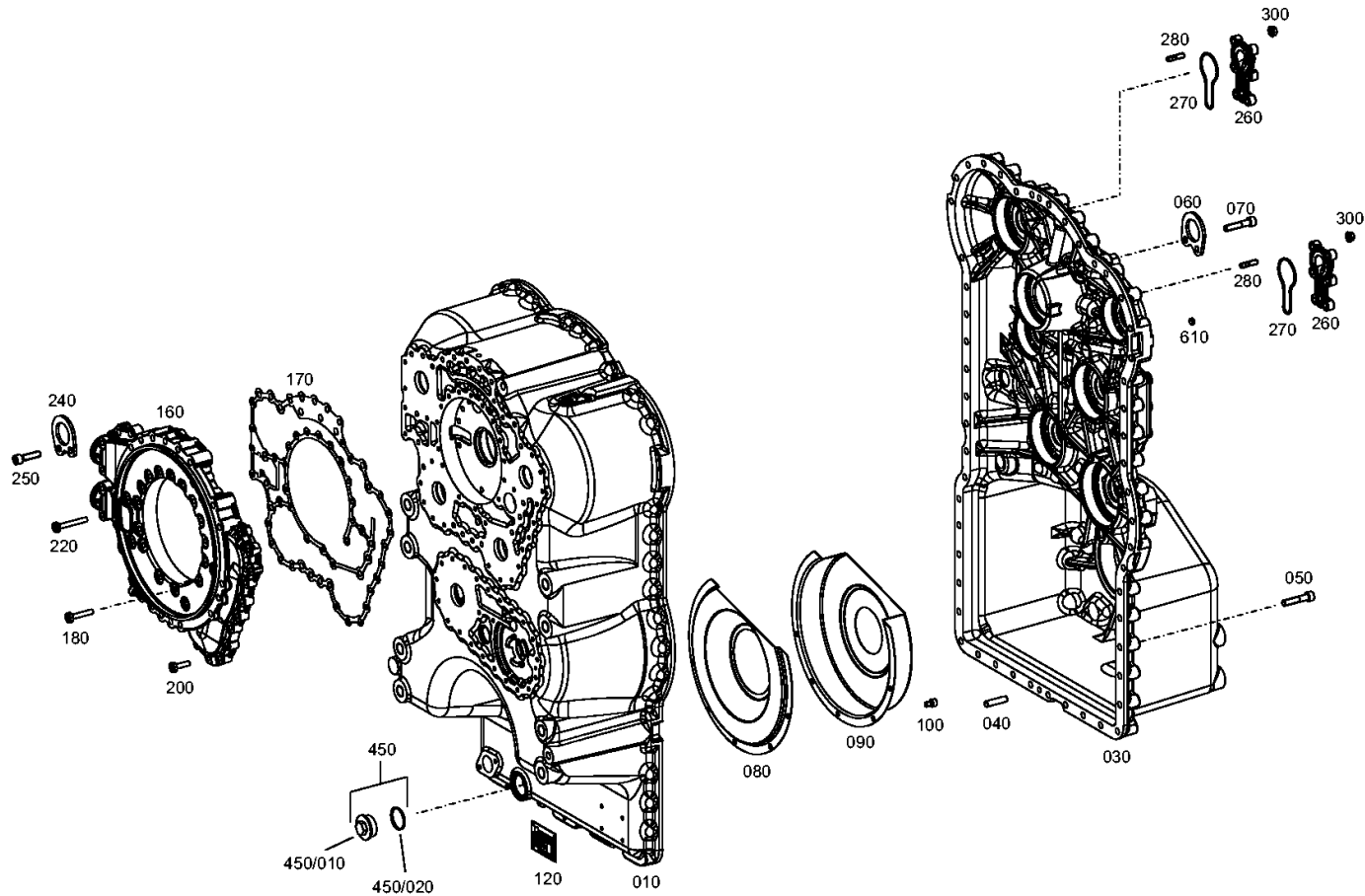
Material number: 4657.056.016

Picture: 465710103301

Material-assembly-group-no: 4657.101.033



6 WG 210 / ()
TRANSMISSION HOUSING



Picture

Page 2 from 2

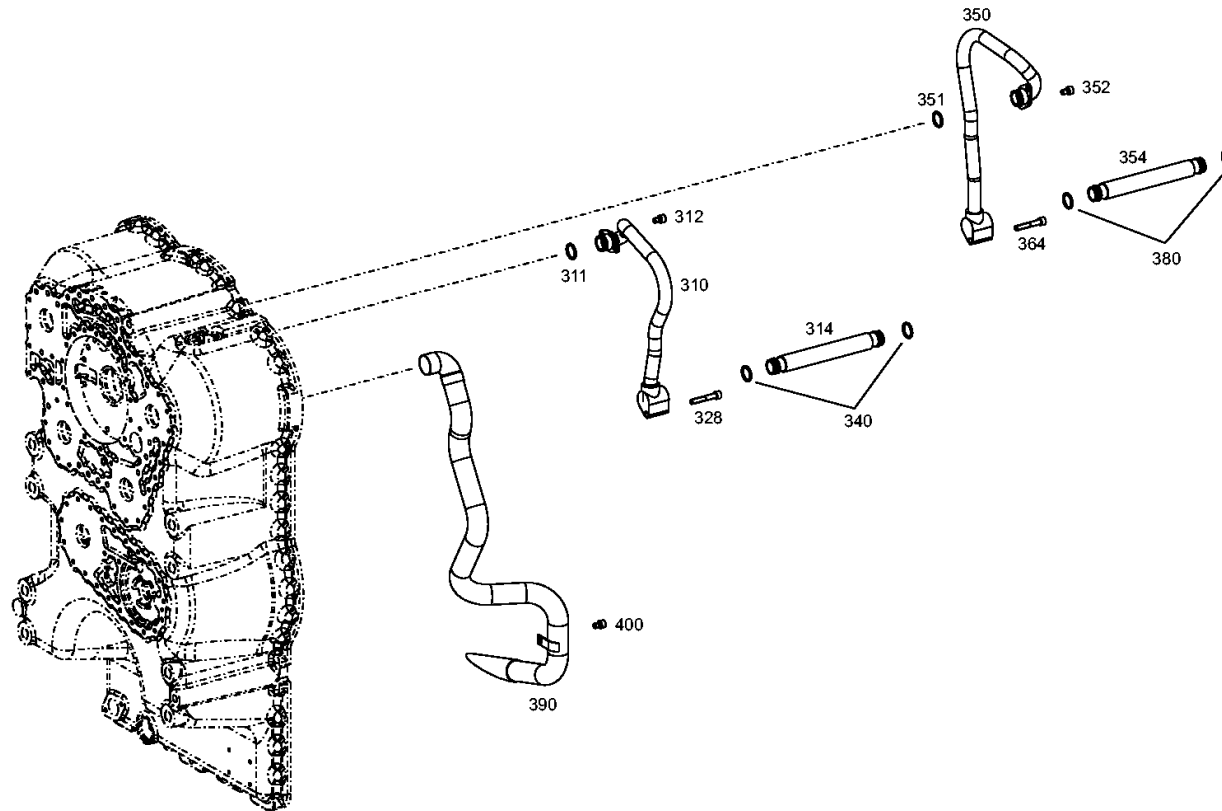
Material number: 4657.056.016

Picture: 465710103302

Material-assembly-group-no: 4657.101.033



6 WG 210 / ()
TRANSMISSION HOUSING



Picture

Page 1 from 1

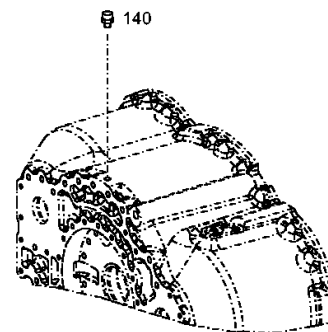
Material number: 4657.056.016

Picture: 465710140800

Material-assembly-group-no: 4657.101.408



6 WG 210 / ()
TRANSMISSION HOUSING



Picture

Page 1 from 1

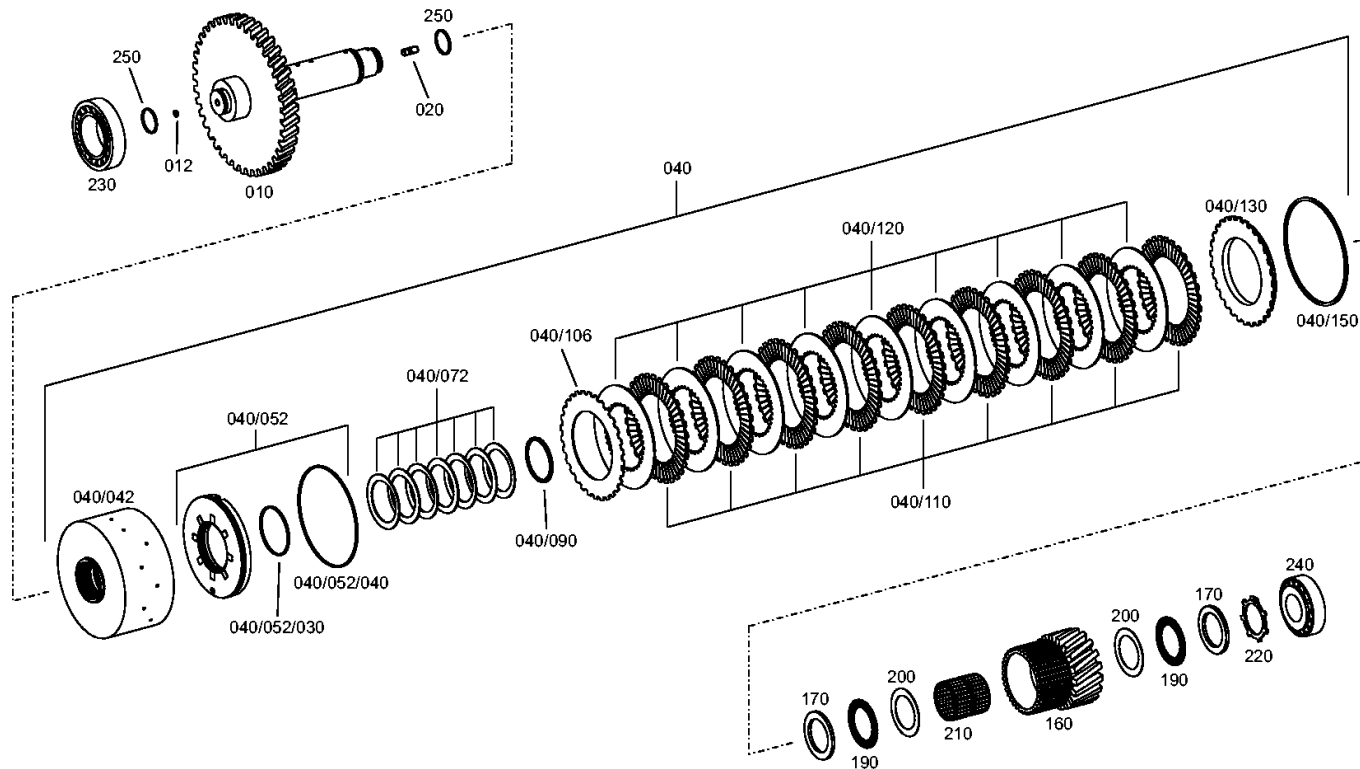
Material number: 4657.056.016

Picture: 465717103600

Material-assembly-group-no: 4657.171.036



6 WG 210 / ()
COUPLING



Picture

Page 1 from 1

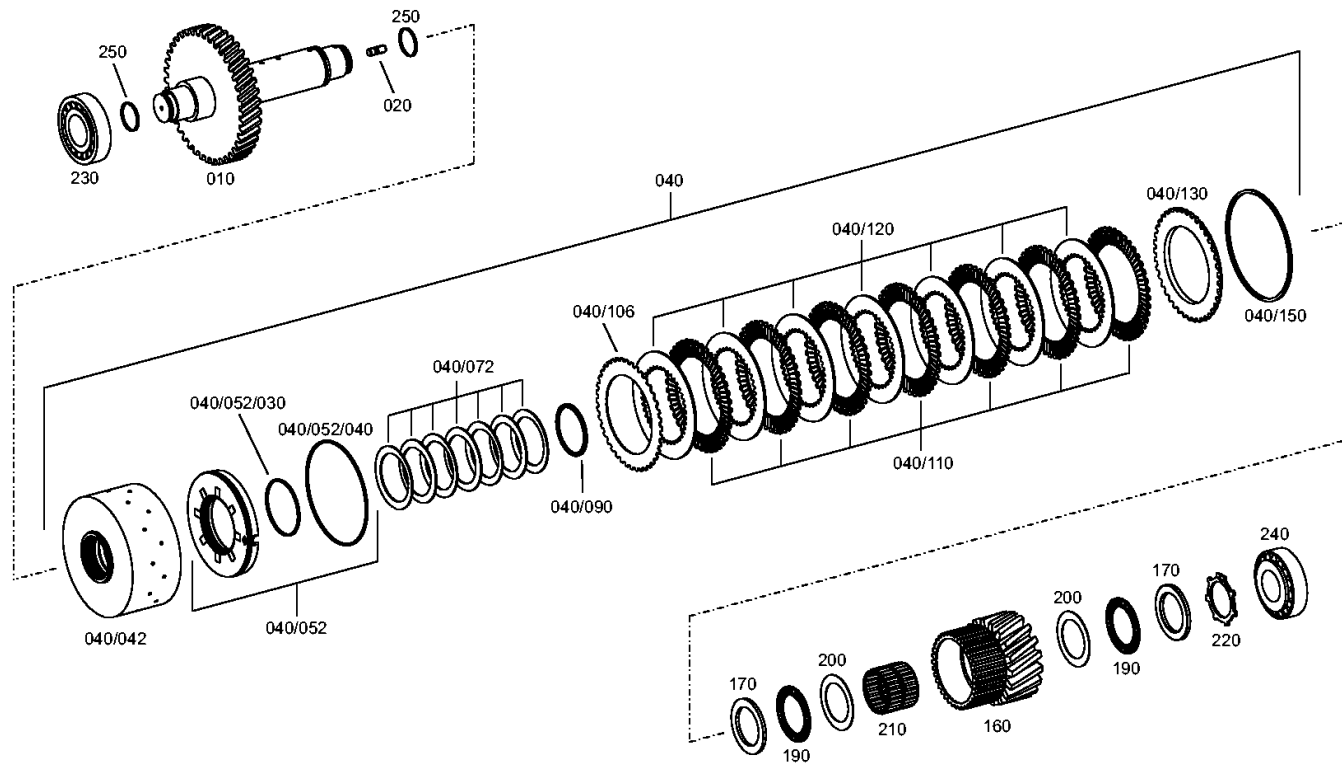
Material number: 4657.056.016

Picture: 465717202700

Material-assembly-group-no: 4657.172.027



6 WG 210 / ()
COUPLING



Picture

Page 1 from 1

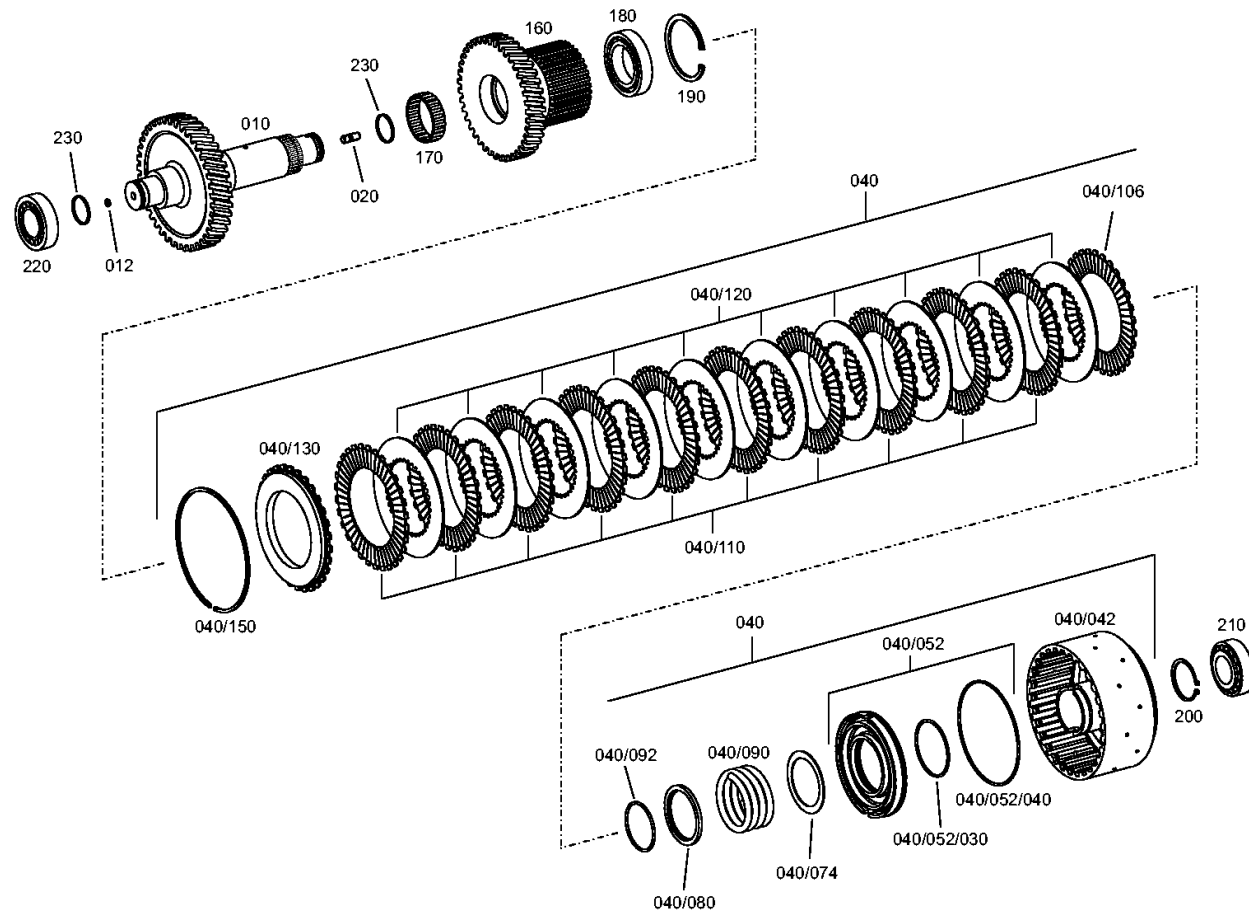
Material number: 4657.056.016

Picture: 465717500500

Material-assembly-group-no: 4657.175.005



6 WG 210 / ()
COUPLING



Picture

Page 1 from 1

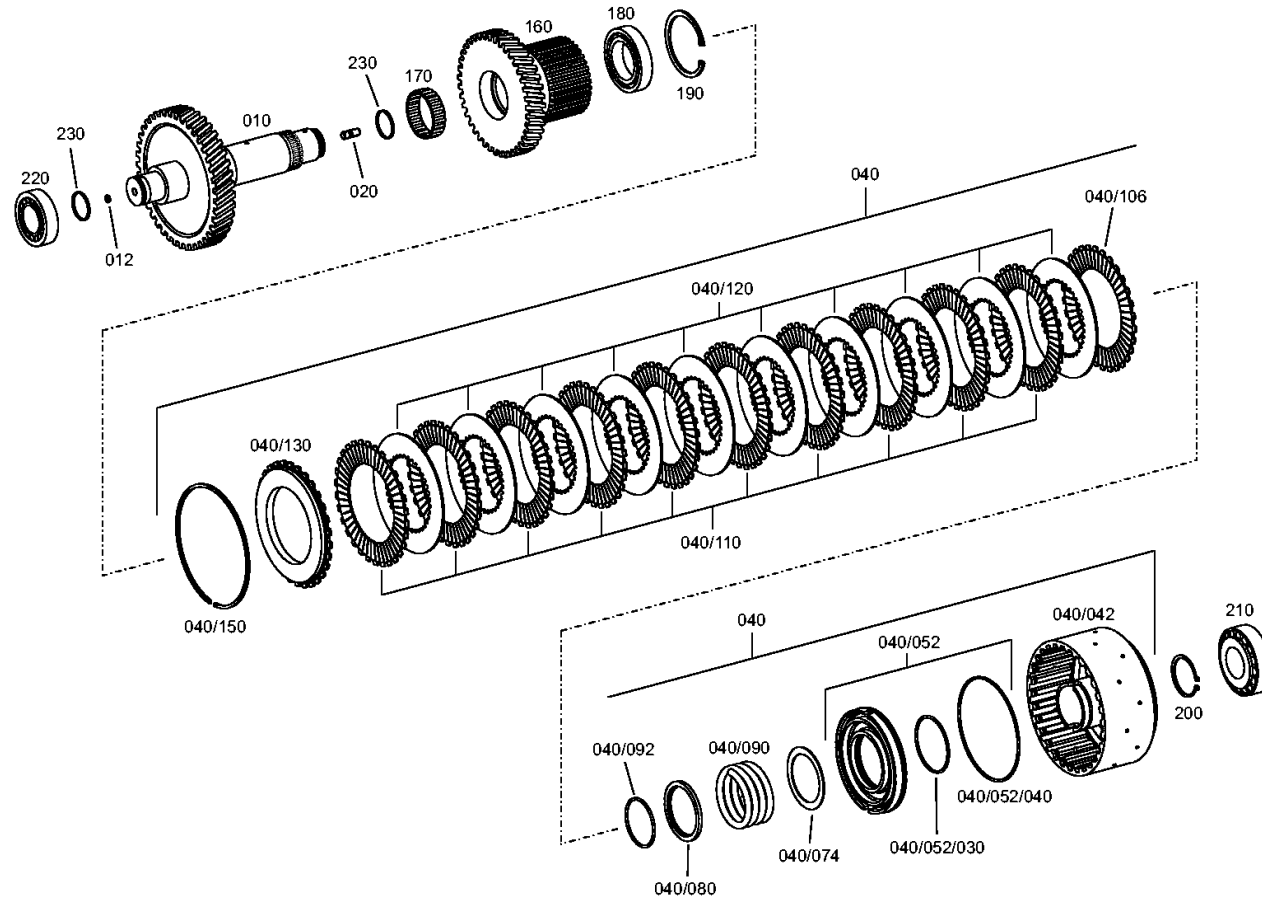
Material number: 4657.056.016

Picture: 465717600500

Material-assembly-group-no: 4657.176.005



6 WG 210 / ()
COUPLING



Picture

Page 1 from 1

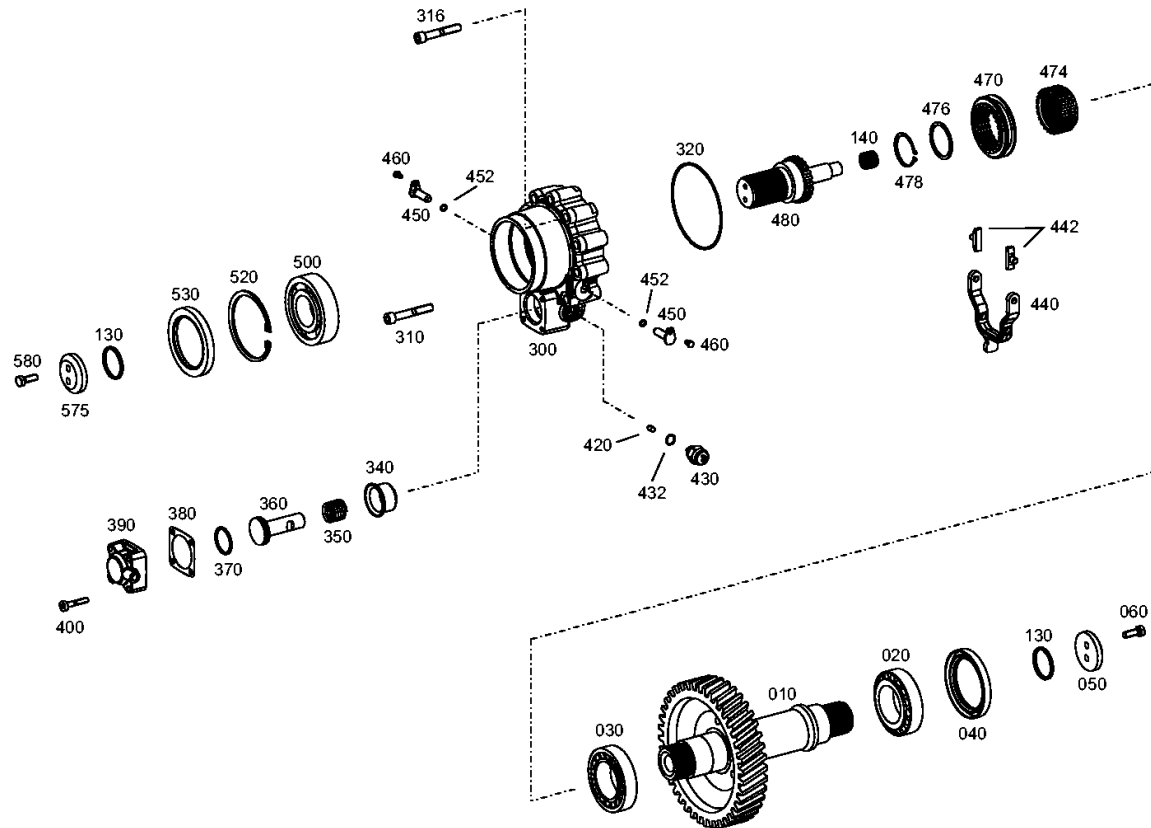
Material number: 4657.056.016

Picture: 465710500800

Material-assembly-group-no: 4657.105.008



6 WG 210 / ()
AXLE DISCONNECTION



Picture

Page 1 from 1

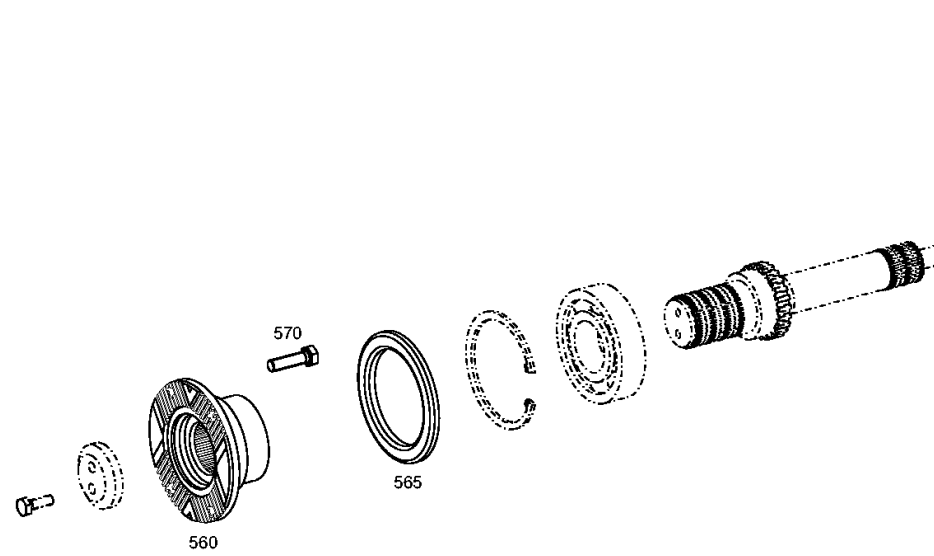
Material number: 4657.056.016

Picture: 465710540400

Material-assembly-group-no: 4657.105.404



6 WG 210 / ()
AXLE DISCONNECTION



Picture

Page 1 from 1

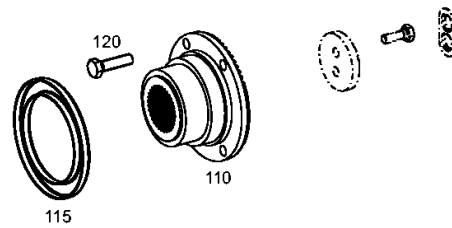
Material number: 4657.056.016

Picture: 465710341100

Material-assembly-group-no: 4657.103.411



6 WG 210 / ()
OUTPUT



Picture

Page 1 from 1

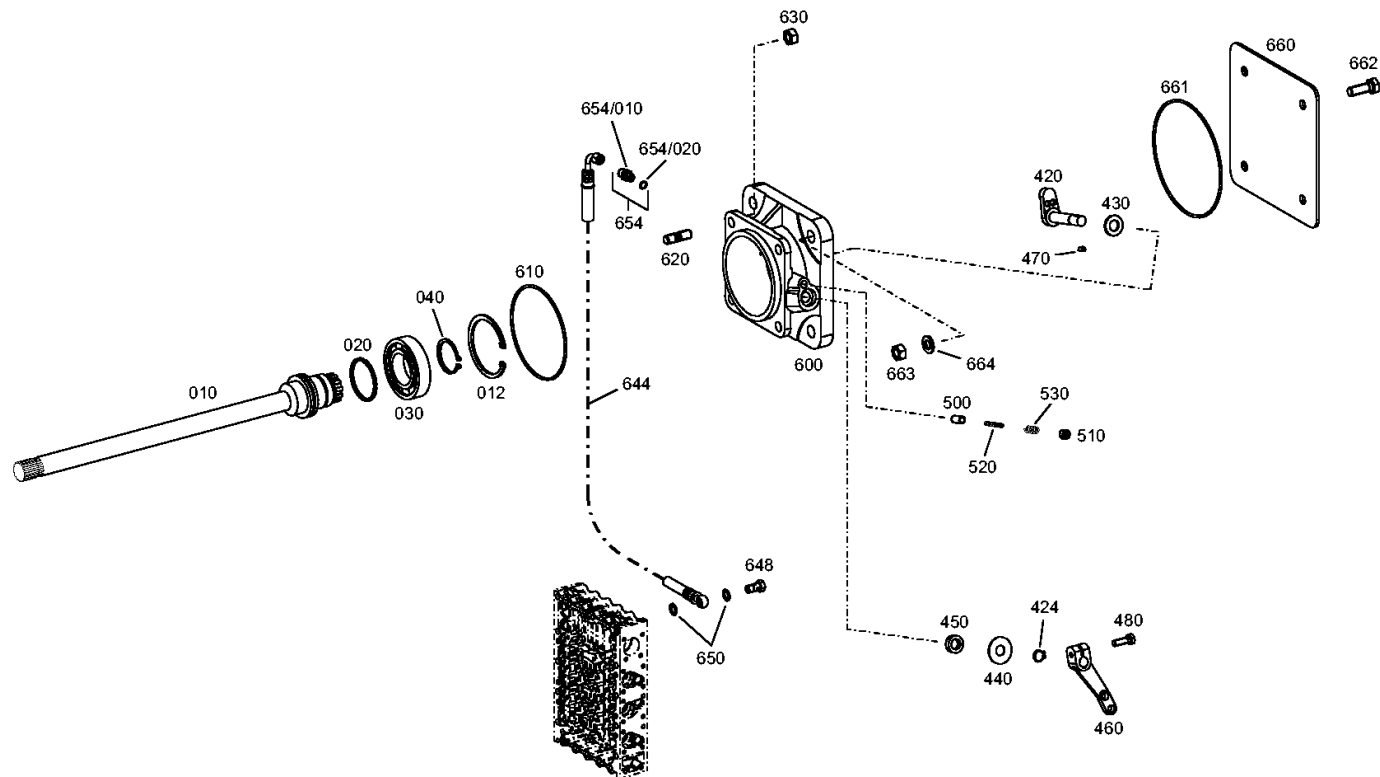
Material number: 4657.056.016

Picture: 465715400300

Material-assembly-group-no: 4657.154.003



6 WG 210 / ()
POWER TAKE-OFF



Picture

Page 1 from 1

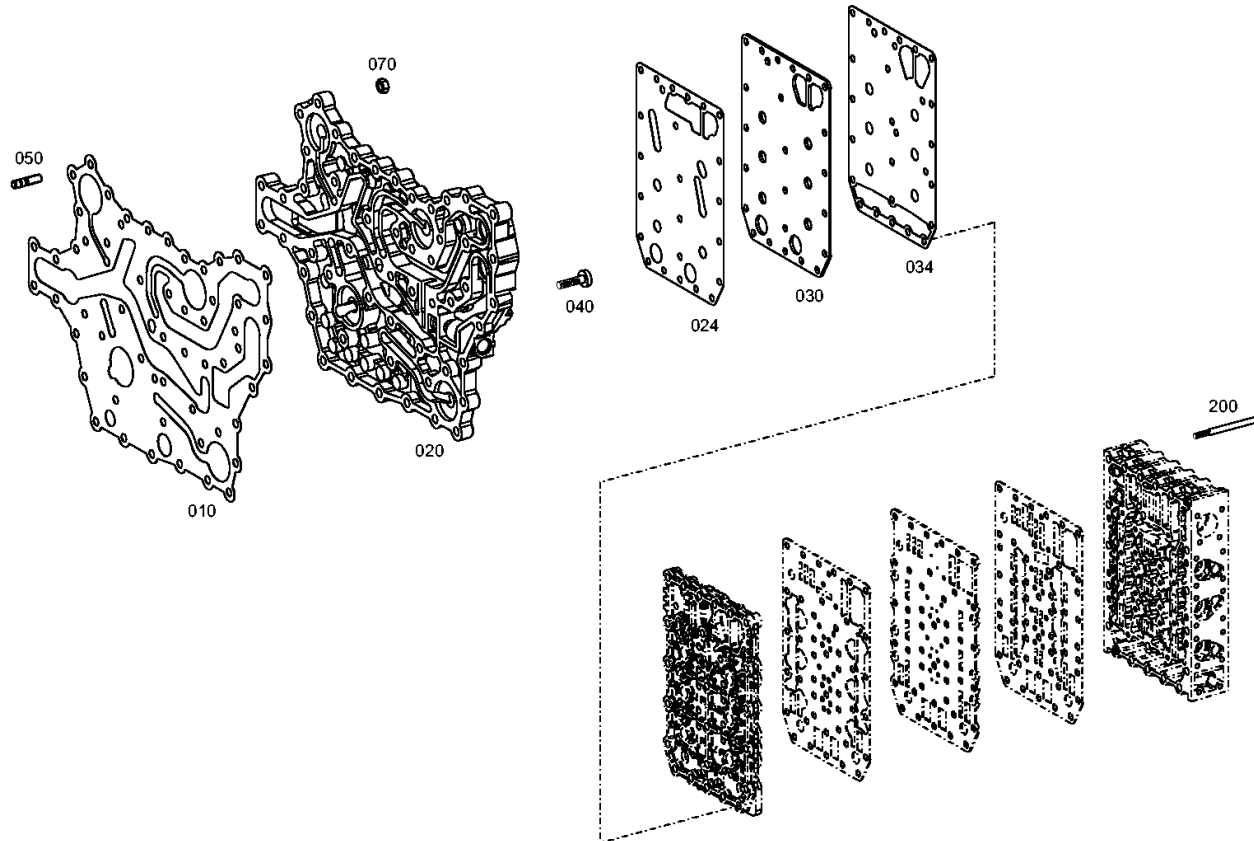
Material number: 4657.056.016

Picture: 465710600300

Material-assembly-group-no: 4657.106.003



6 WG 210 / ()
SHIFT SYSTEM



Picture

Page 1 from 2

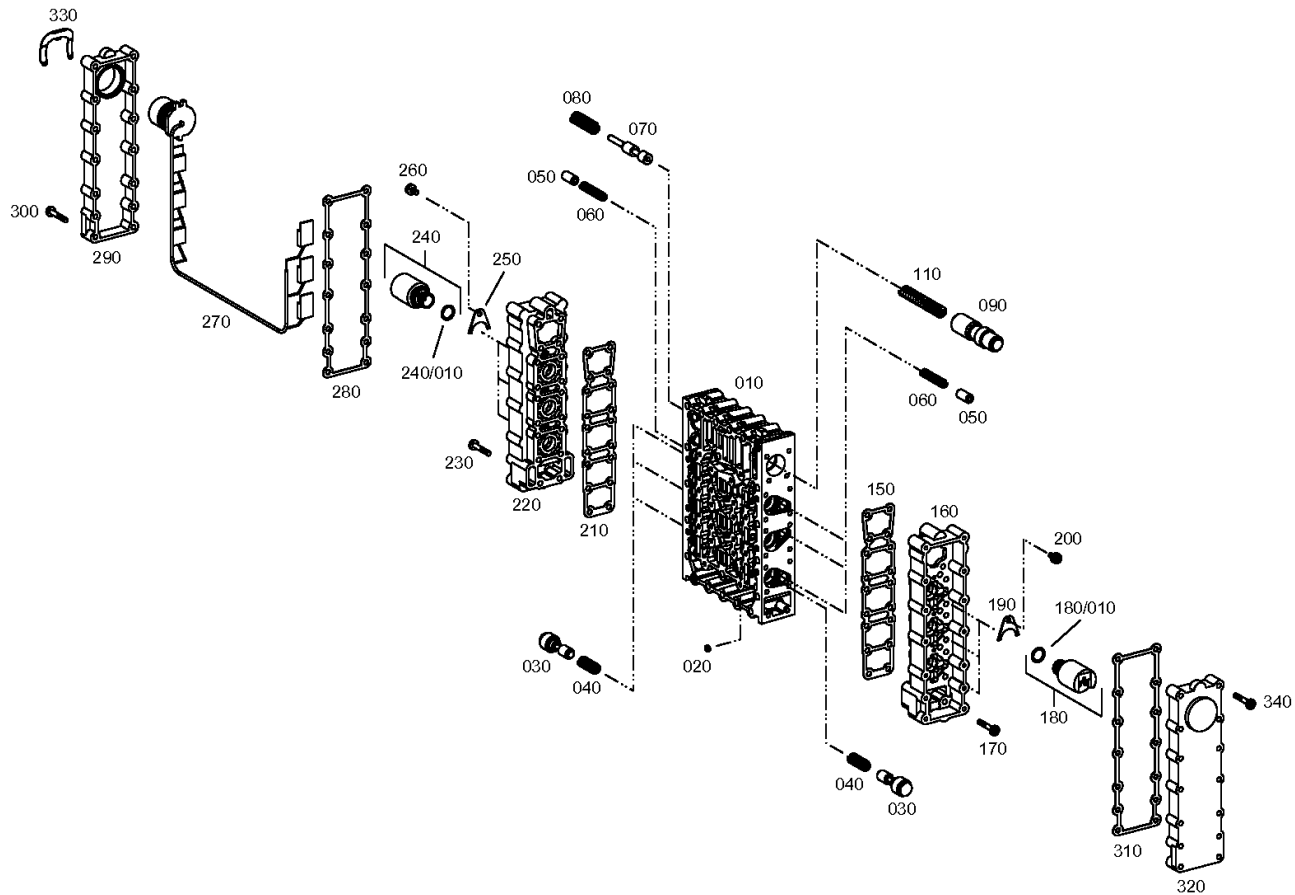
Material number: 4657.056.016

Picture: 465615900521

Material-assembly-group-no: 4656.159.005



6 WG 210 / ()
SHIFT SYSTEM



Picture

Page 2 from 2

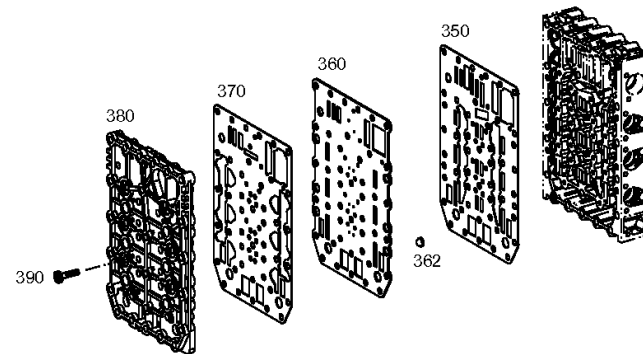
Material number: 4657.056.016

Picture: 465615900522

Material-assembly-group-no: 4656.159.005



6 WG 210 / ()
SHIFT SYSTEM



Picture

Page 1 from 1

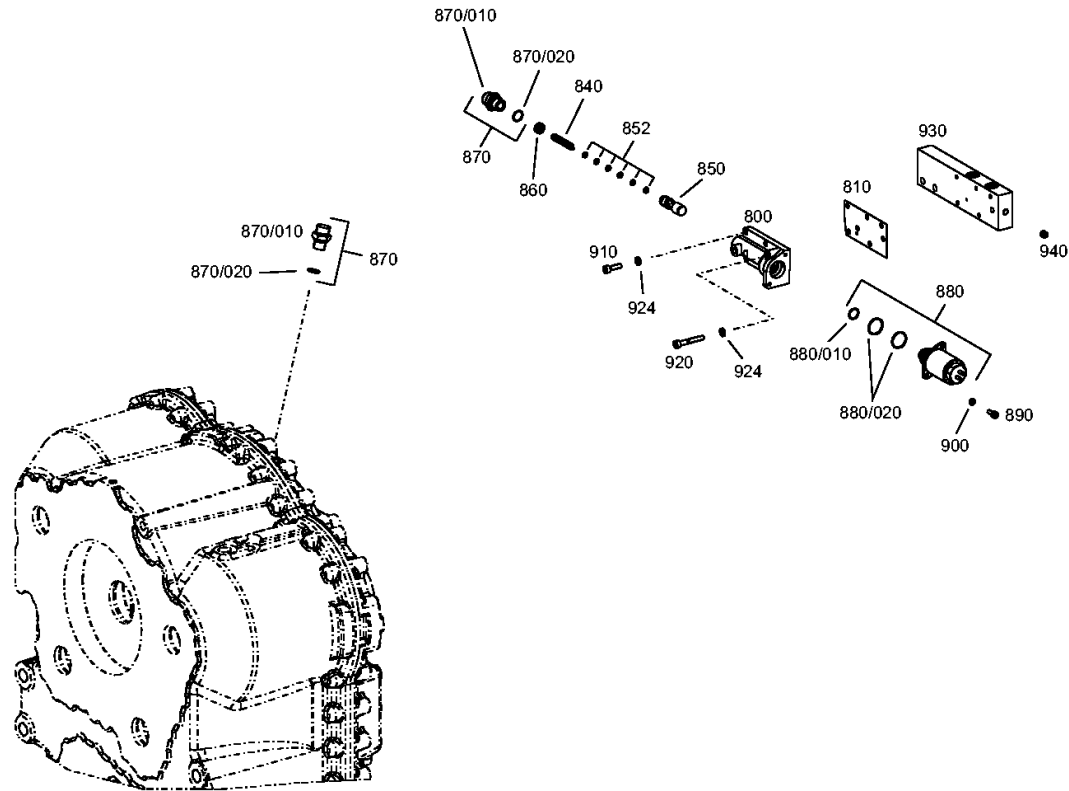
Material number: 4657.056.016

Picture: 465712300100

Material-assembly-group-no: 4657.123.001



6 WG 210 / ()
CONTROL UNIT



Picture

Page 1 from 1

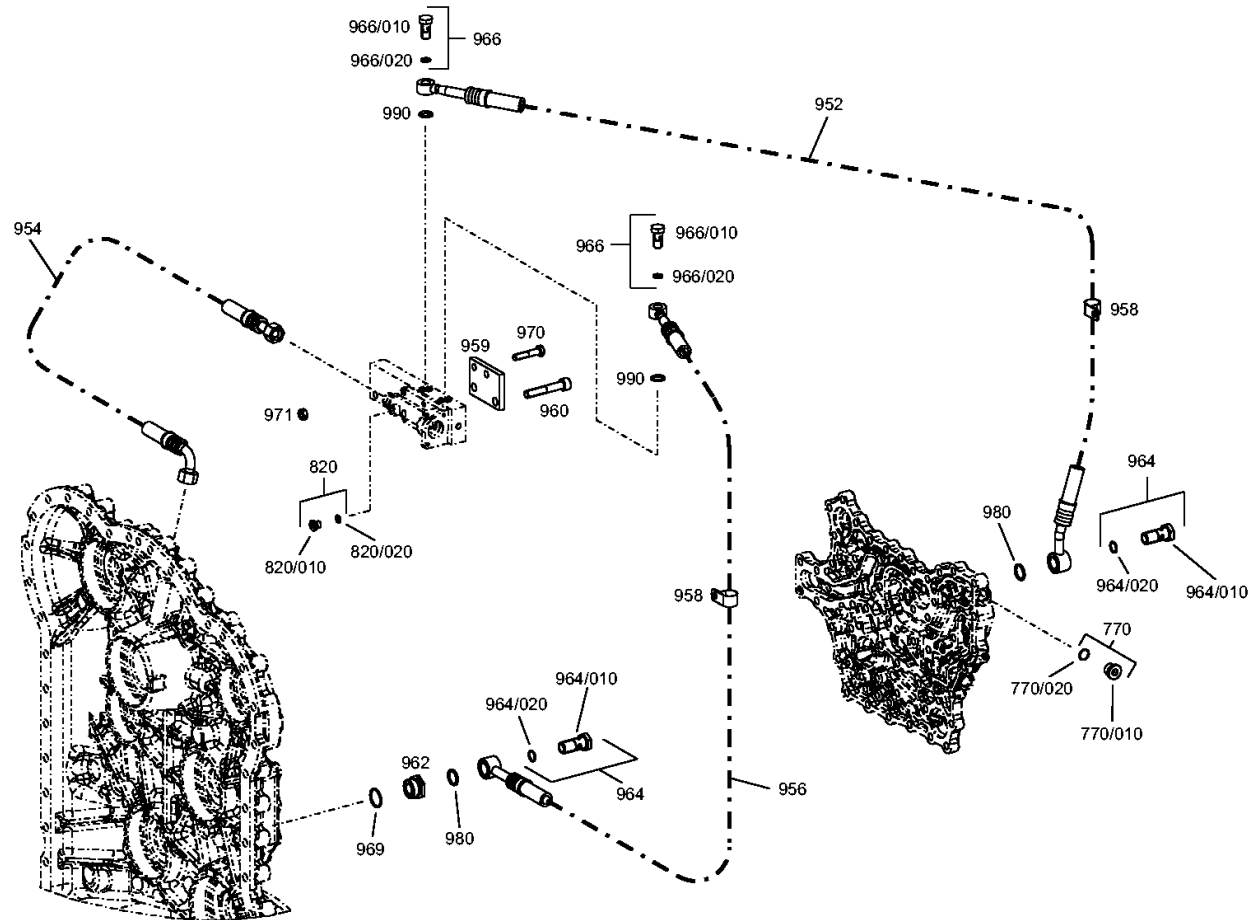
Material number: 4657.056.016

Picture: 465712340000

Material-assembly-group-no: 4657.123.400



6 WG 210 / ()
CONTROL UNIT



Picture

Page 1 from 1

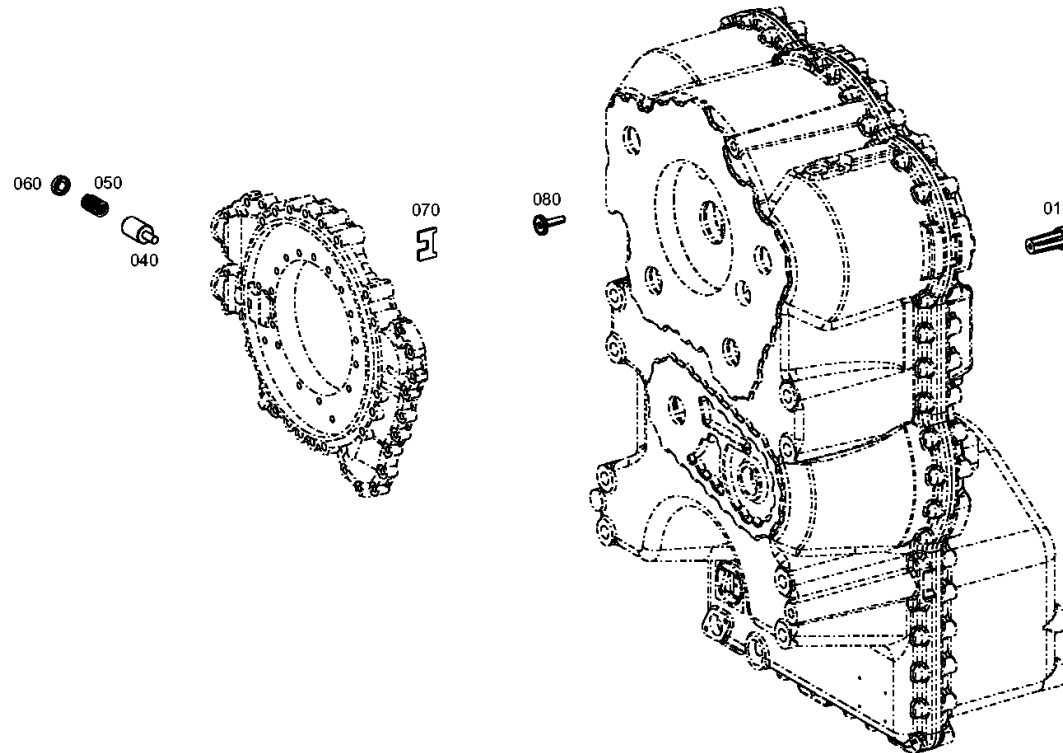
Material number: 4657.056.016

Picture: 465712000300

Material-assembly-group-no: 4657.120.003



6 WG 210 / ()
PRESSURE REGULATOR



Picture

Page 1 from 1

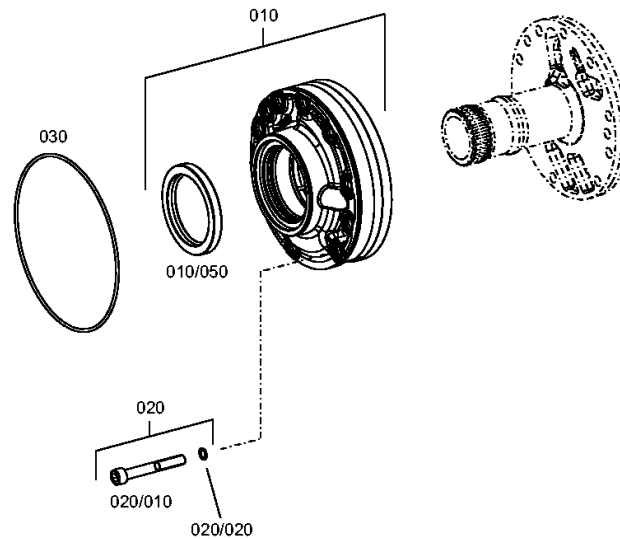
Material number: 4657.056.016

Picture: 465712200500

Material-assembly-group-no: 4657.122.005



6 WG 210 / ()
PRESSURE OIL PUMP



Picture

Page 1 from 1

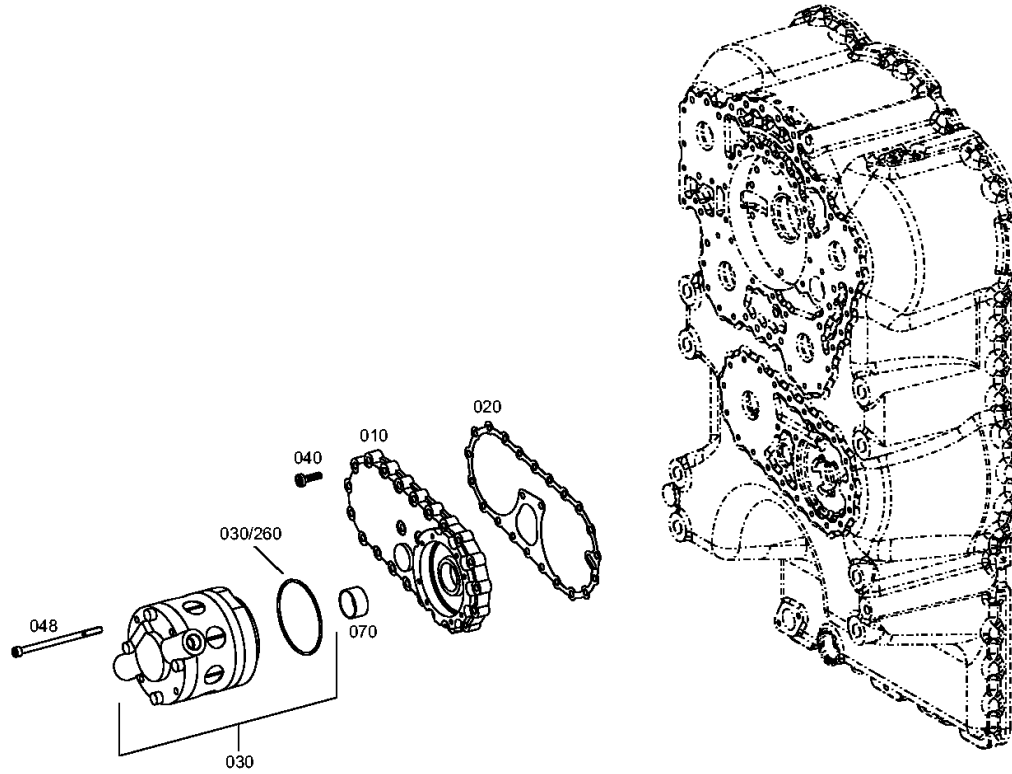
Material number: 4657.056.016

Picture: 465713700300

Material-assembly-group-no: 4657.137.003



6 WG 210 / ()
EMERGENCY STEERING PUMP



Picture

Page 1 from 1

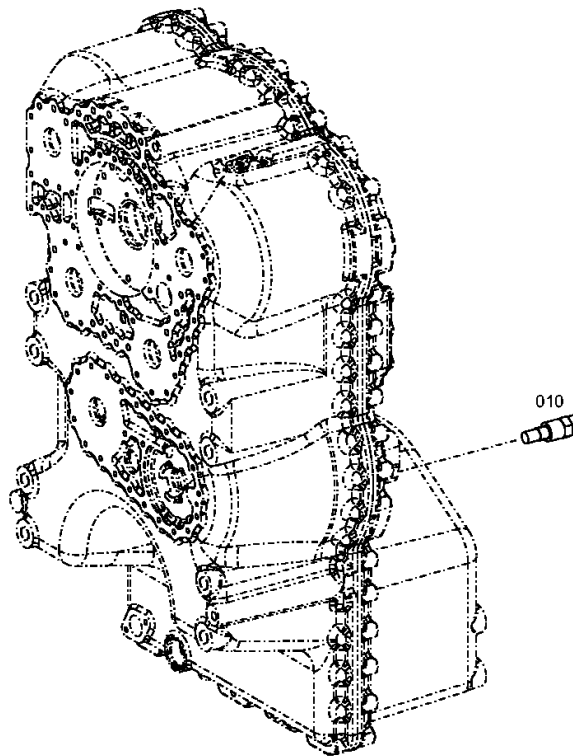
Material number: 4657.056.016

Picture: 465710700200

Material-assembly-group-no: 4657.107.002



6 WG 210 / ()
SPEEDOMETER



Picture

Page 1 from 1

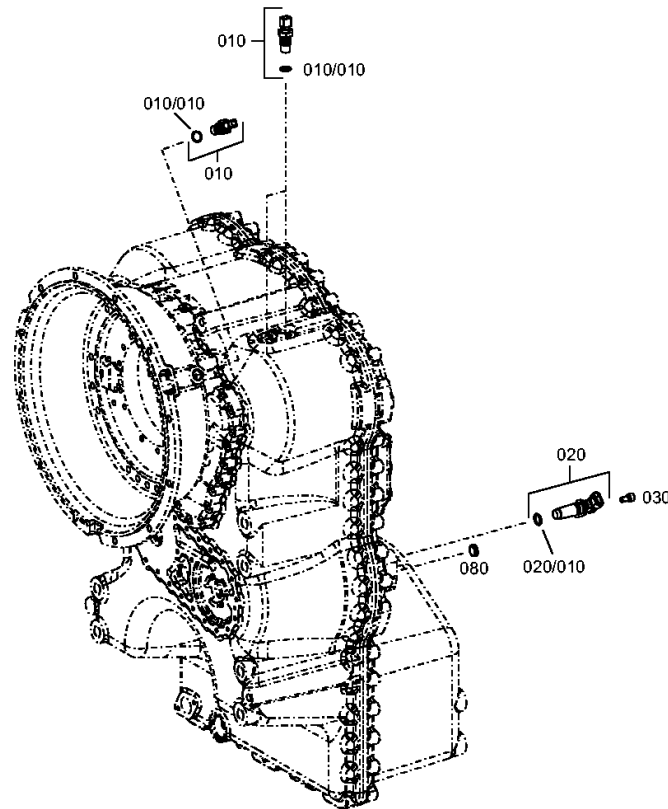
Material number: 4657.056.016

Picture: 465712500200

Material-assembly-group-no: 4657.125.002



6 WG 210 / ()
INDUCTIVE SENSOR



Picture

Page 1 from 1

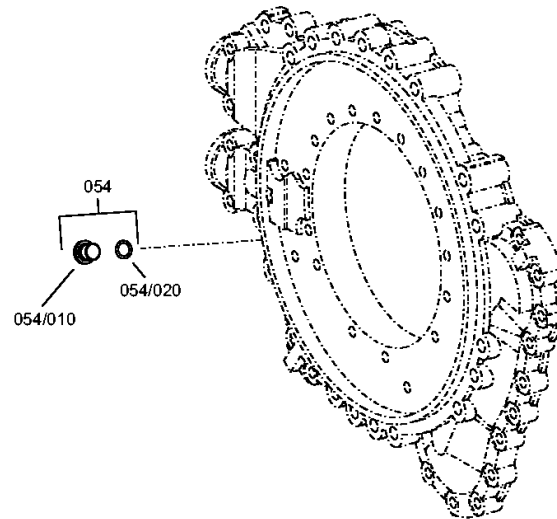
Material number: 4657.056.016

Picture: 465712400100

Material-assembly-group-no: 4657.124.001



6 WG 210 / ()
TEMPERATURE SENSOR



Picture

Page 1 from 1

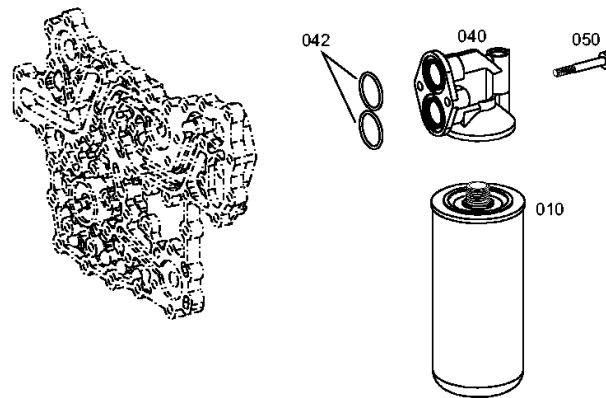
Material number: 4657.056.016

Picture: 465613800400

Material-assembly-group-no: 4656.138.004



6 WG 210 / ()
FILTER



Picture

Page 1 from 1

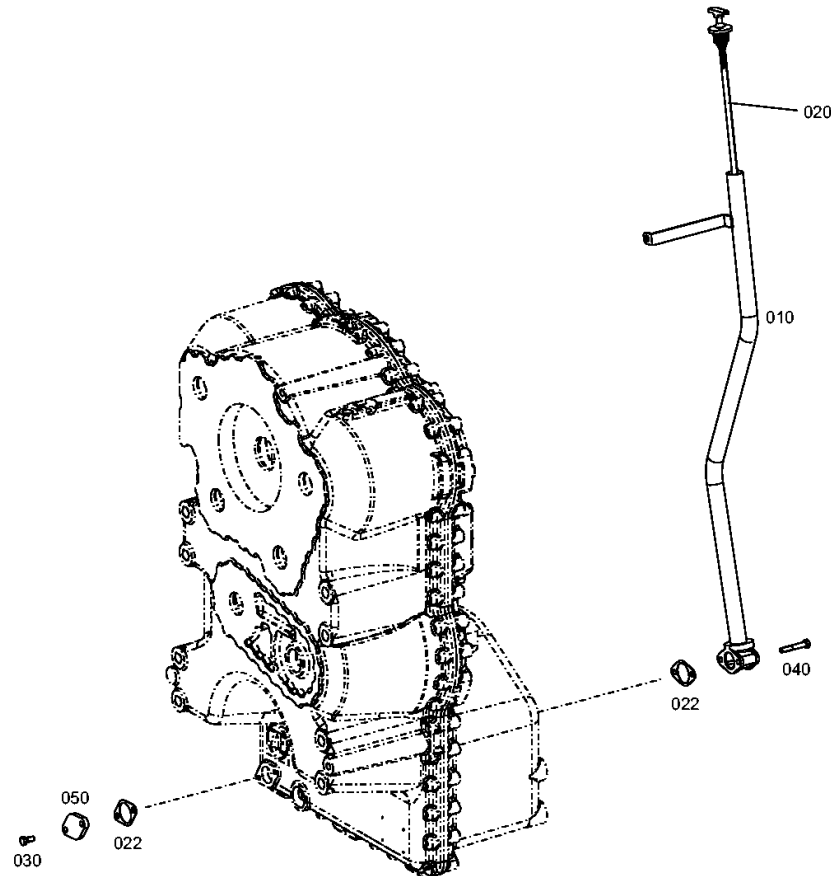
Material number: 4657.056.016

Picture: 465713100350

Material-assembly-group-no: 4657.131.003



6 WG 210 / ()
FILLER NOZZLE



Picture

Page 1 from 1

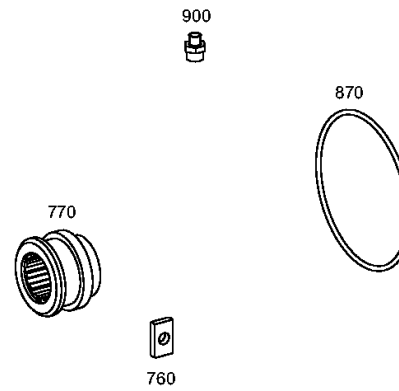
Material number: 4657.056.016

Picture: 465719900300

Material-assembly-group-no: 4657.199.003



6 WG 210 / ()
LOOSE PARTS



Picture

Page 1 from 1

Material number: 4657.056.016

Picture: 465729800300

Material-assembly-group-no: 4657.298.003



6 WG 210 / ()
SEAL KIT

- Alternativ zur Bestellung von einzelnen Dichtungsteilen bieten wir als Vereinfachung bzw. Erleichterung komplette Dichtungssätze an, und zwar:
1. Kompletter Dichtungssatz, bestehend aus sämtlichen Dichtungsteilen (Wellendichtringe, Runddichtringe, O-Ringe, Profildichtringe, Rechteckringe und Flachdichtungssatz).
 2. Flachdichtungssatz
- Bei der Bestellung eines Dichtungs-, oder eines Flachdichtungssatzes sind generell Type, Stücklistennummer, Aggregatnummer und Fabrikat des Fahrzeuges anzugeben.

- Instead of placing an order for individual sealing parts we offer you complete sets of seals as a simpler and easier alternative, i.e.:
1. Complete sets of seals consisting of all sealing parts (seals, slip-ring seals, o-ring seals, profile seals, rectangular rings and flat gasket set)
 2. flat gasket set
- When placing an order for a set of seals or a flat gasket set, always indicate type, parts list number, unit number and vehicle type.

- Au lieu de passer une commande pour les pièces de joint individuelles nous vous offrons une alternative plus simple et plus facile, c'est-à-dire, vous pouvez commander:
1. un jeu complet de joints qui se compose de (garnitures en anneaux, joints à anneaux, joints toriques, étoupes profilées, anneaux rectangulaires et jeu de garniture plate)
 2. un jeu de garniture plate
- Dans les commandes pour un jeu complet de joints ou bien un jeu de garniture plate il faut chaque fois indiquer le type, la nomenclature, le numéro de l'agrégat ainsi que le type du véhicule.

- Invece dell'ordinazione di singoli elementi di tenuta Vi offriamo come alternativa più facile e comoda i seguenti corredi guarnizioni completi:
1. Corredo guarnizioni completo, composto da tutti gli elementi di tenuta (anelli di tenuta sull'albero, anelli di tenuta in gomma a sezione circolare, anelli O-ring, anelli di tenuta con profilo, anelli a sezione rettangolare e corredo guarnizioni piatte).
 2. Corredo guarnizioni piatte
- Nell'ordine del corredo guarnizioni o corredo guarnizioni piatte specificare sempre il tipo, il no della nomenclatura, il numero del gruppo e prodotto del veicolo.

- En lugar de hacer un pedido para las piezas de juntas individuales le ofrecemos juegos de juntas completos como una alternativa más simple y más fácil, es decir:
1. un juego completo de juntas compuesto por todas las piezas de juntas (retenes de eje, anillos de junta, anillos tóricos, anillos retén de perfil, anillos rectangulares y juego de juntas planas)
 2. un juego de juntas planas
- Al hacer un pedido de un juego completo de juntas o de un juego de juntas planas se indicará siempre el tipo, el número de la lista de piezas, el número de conjunto así como el tipo de vehículo.

Kompletter Dichtungssatz 4657 298 003
Complete set of seals
Jeu complet de joints
Corredo guarnizioni completo
Juego completo de juntas

Flachdichtungssatz 4657 298 004
flat gasket set
un jeu de garniture plate
Corredo guarnizioni piatte
un juego de juntas planas